



US00D372162S

United States Patent [19] Ivy

[11] Patent Number: **Des. 372,162**

[45] Date of Patent: ****Jul. 30, 1996**

[54] **MIXER**

[75] Inventor: **Donald Ivy**, Waynesboro, Miss.

[73] Assignee: **Sunbeam Products, Inc.**, Fort Lauderdale, Fla.

[**] Term: **14 Years**

[21] Appl. No.: **38,049**

[22] Filed: **Apr. 26, 1995**

[52] U.S. Cl. **D7/379**

[58] Field of Search **D7/376, 379, 386; 366/129, 197, 205, 92, 93**

[56] **References Cited**

U.S. PATENT DOCUMENTS

D. 291,271	8/1987	Wilson	D7/379
D. 314,883	2/1991	Naft	D7/379
D. 319,555	9/1991	Thomas	D7/379

Primary Examiner—Alan P. Douglas
Assistant Examiner—Caron D. Veynar
Attorney, Agent, or Firm—Michael J. Kline; Paul D. Bangor, Jr.

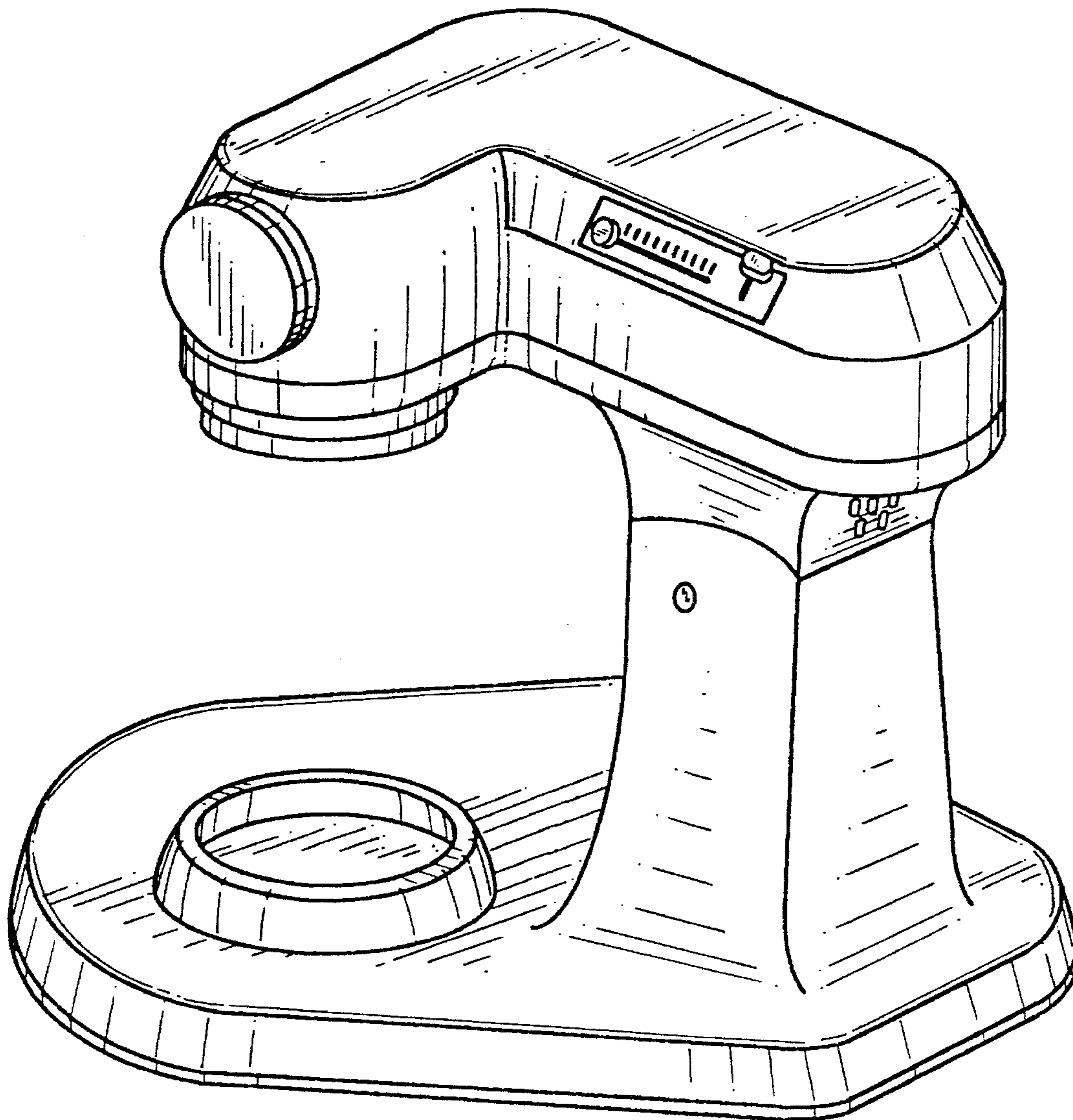
[57] **CLAIM**

The ornamental design for a mixer, as shown and described.

DESCRIPTION

FIG. 1 is an isometric view of a mixer showing my new design;
FIG. 2 is a front elevational view thereof;
FIG. 3 is a rear elevational view thereof;
FIG. 4 is a top plan view thereof;
FIG. 5 is a bottom plan view thereof;
FIG. 6 is a left side elevational view thereof; and,
FIG. 7 is a right side elevational view thereof.

1 Claim, 6 Drawing Sheets



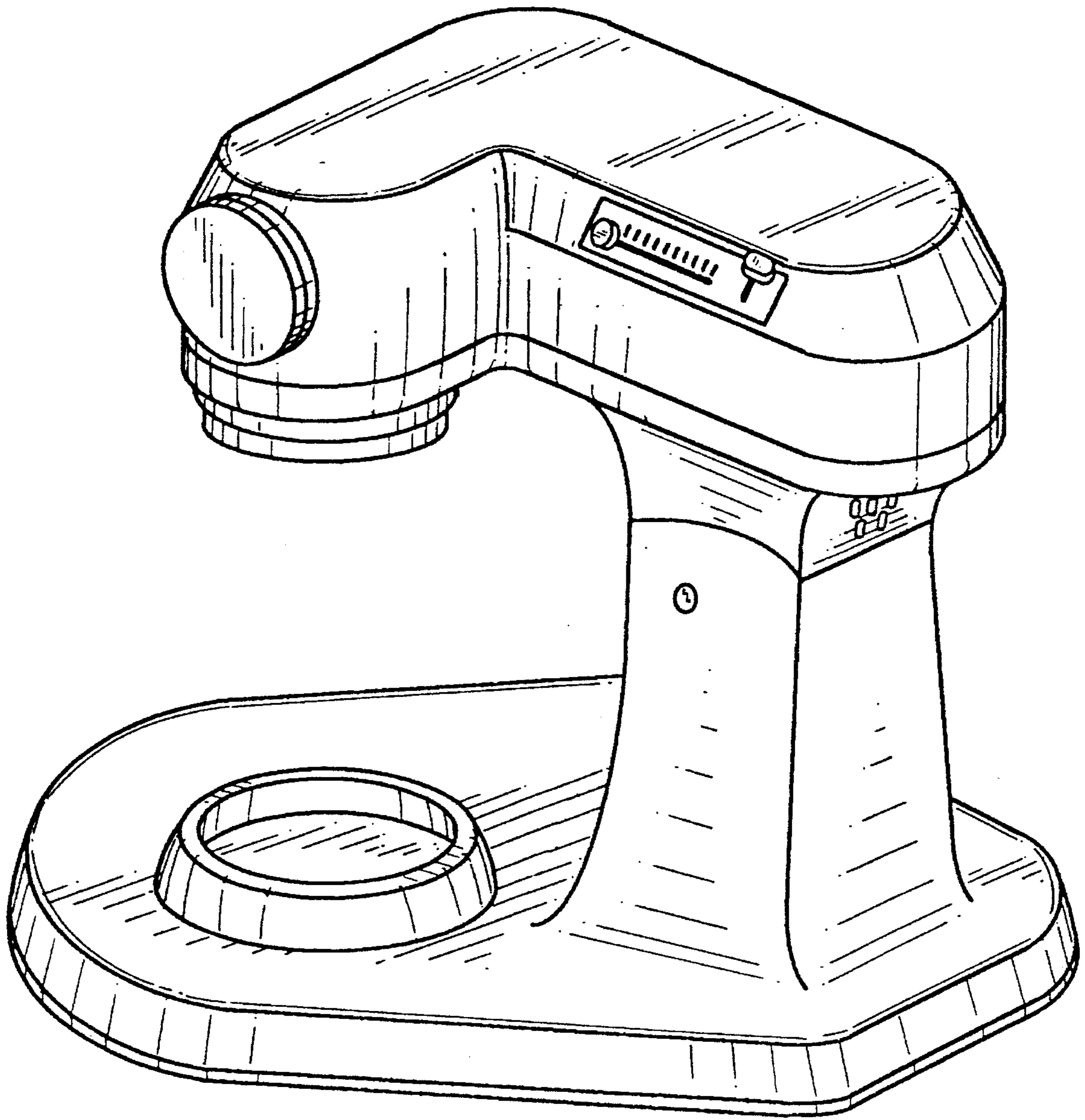


FIG. 1

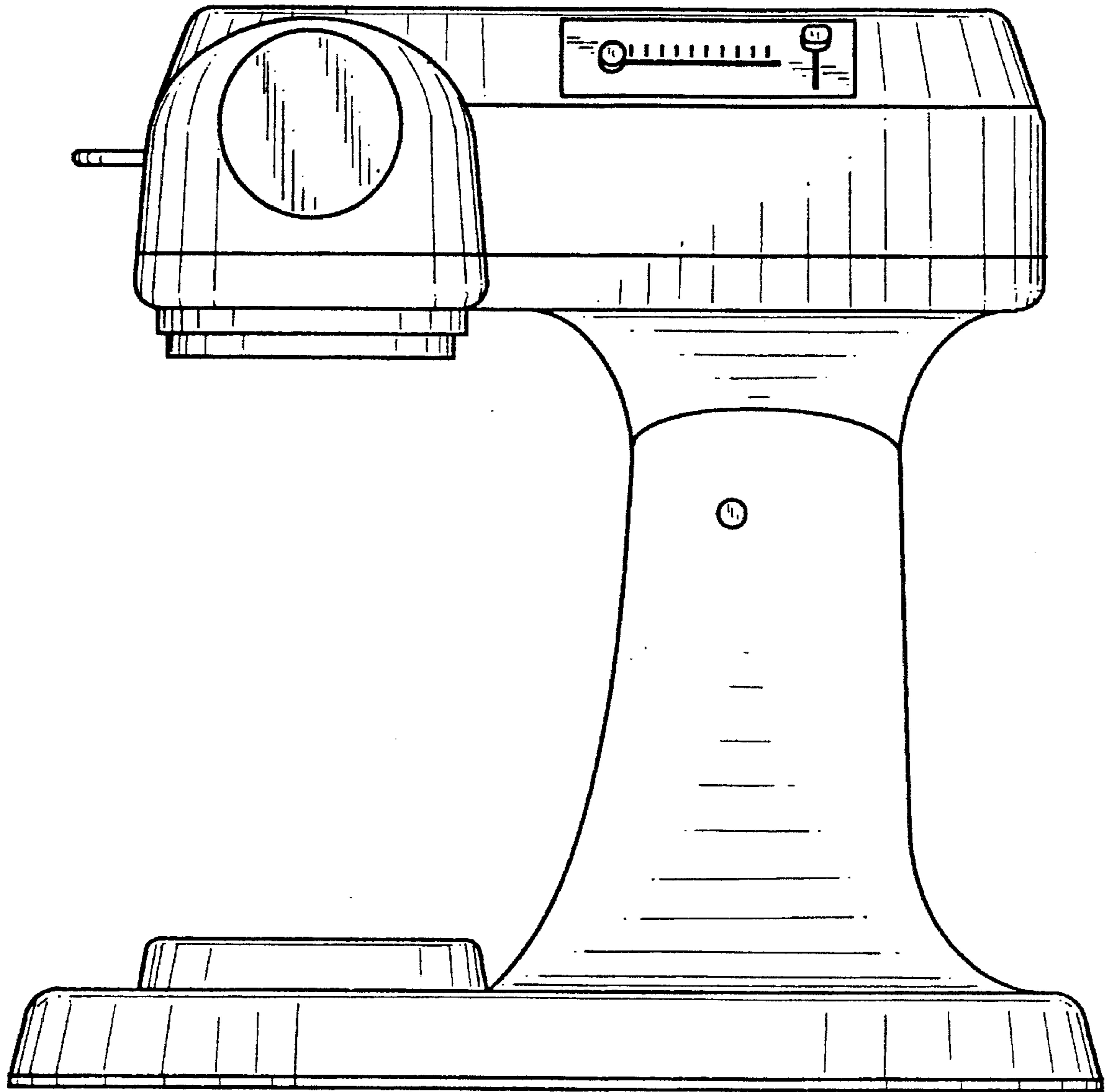


FIG. 2

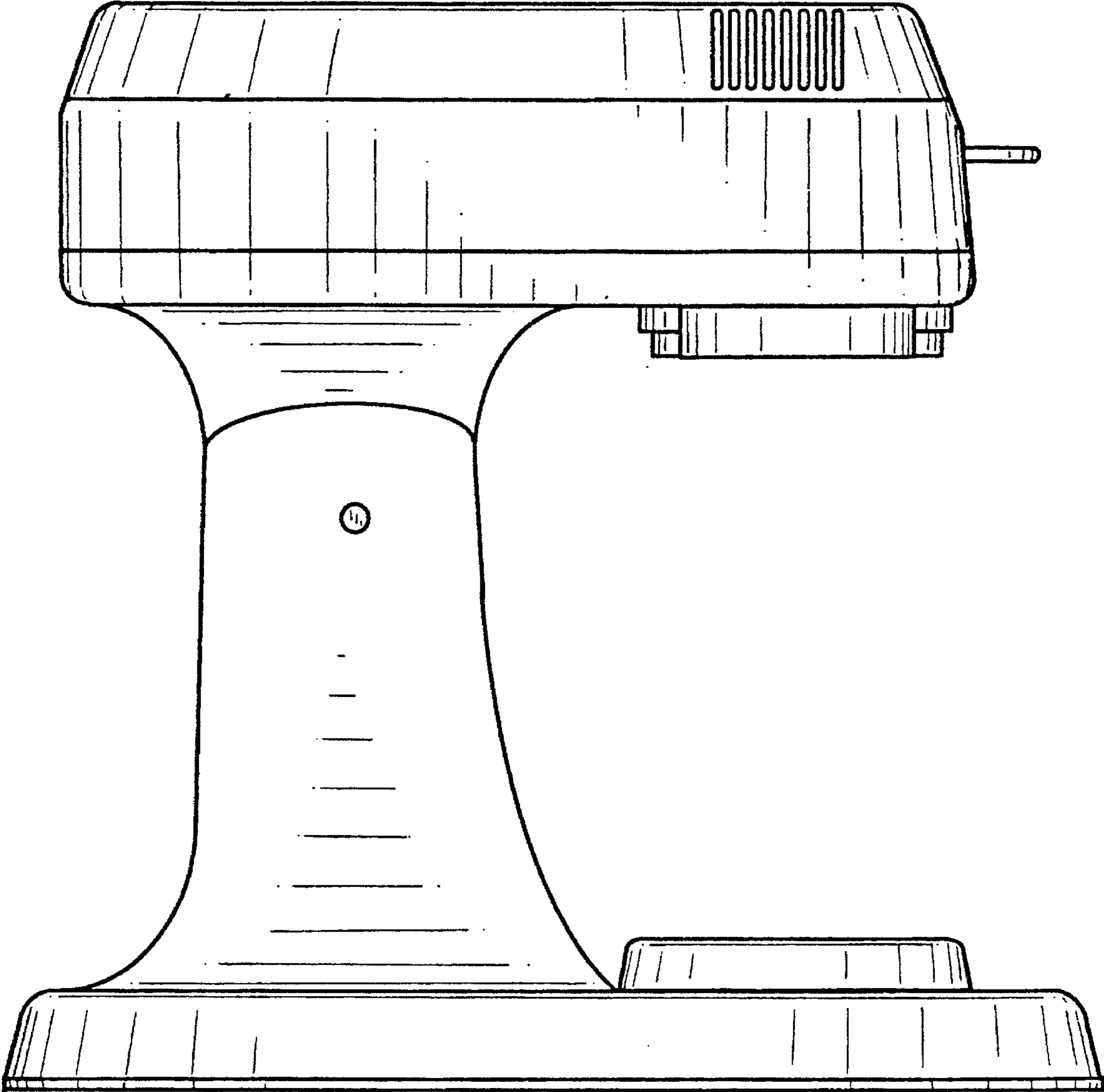


FIG. 3

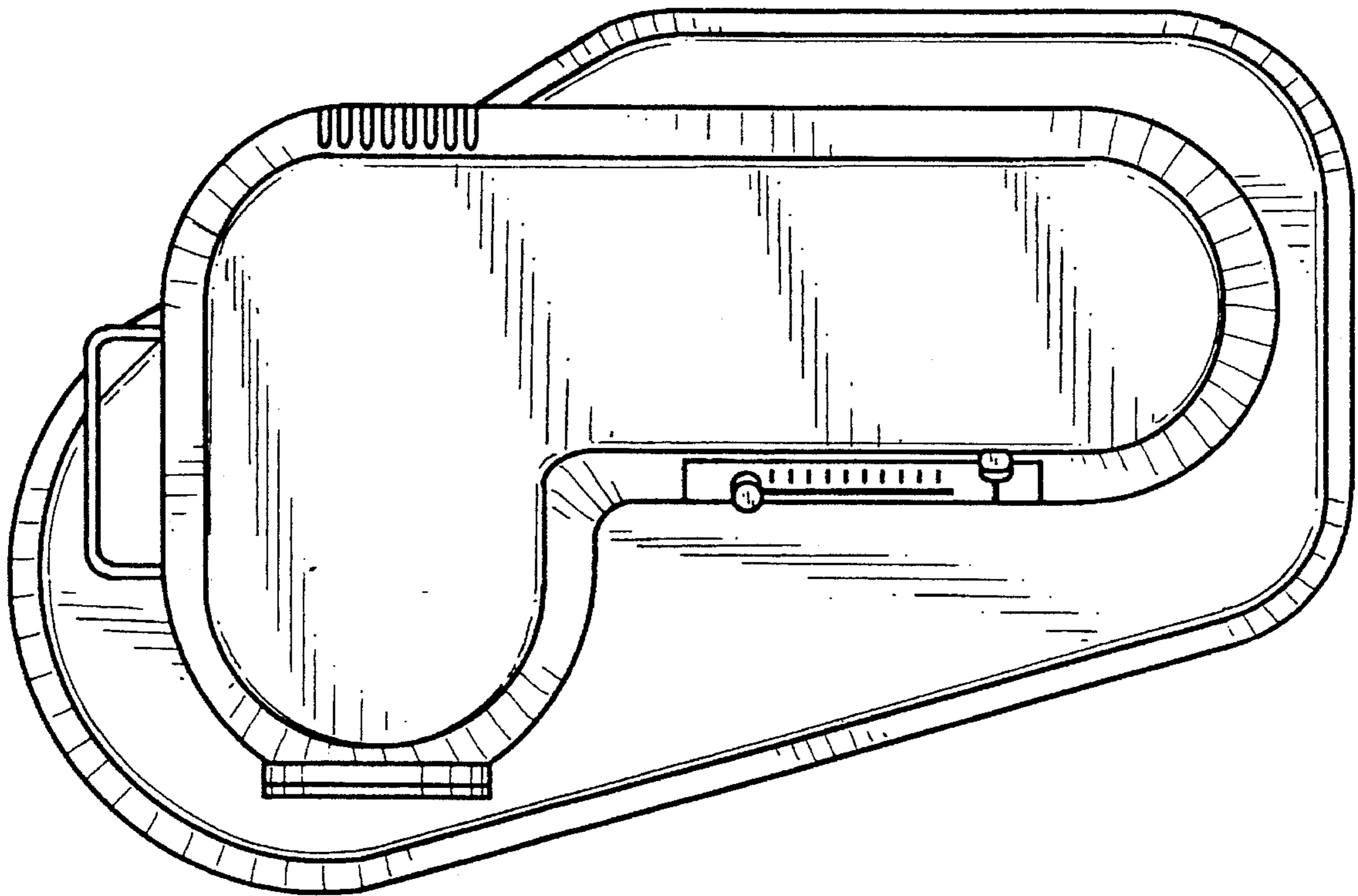


FIG. 4

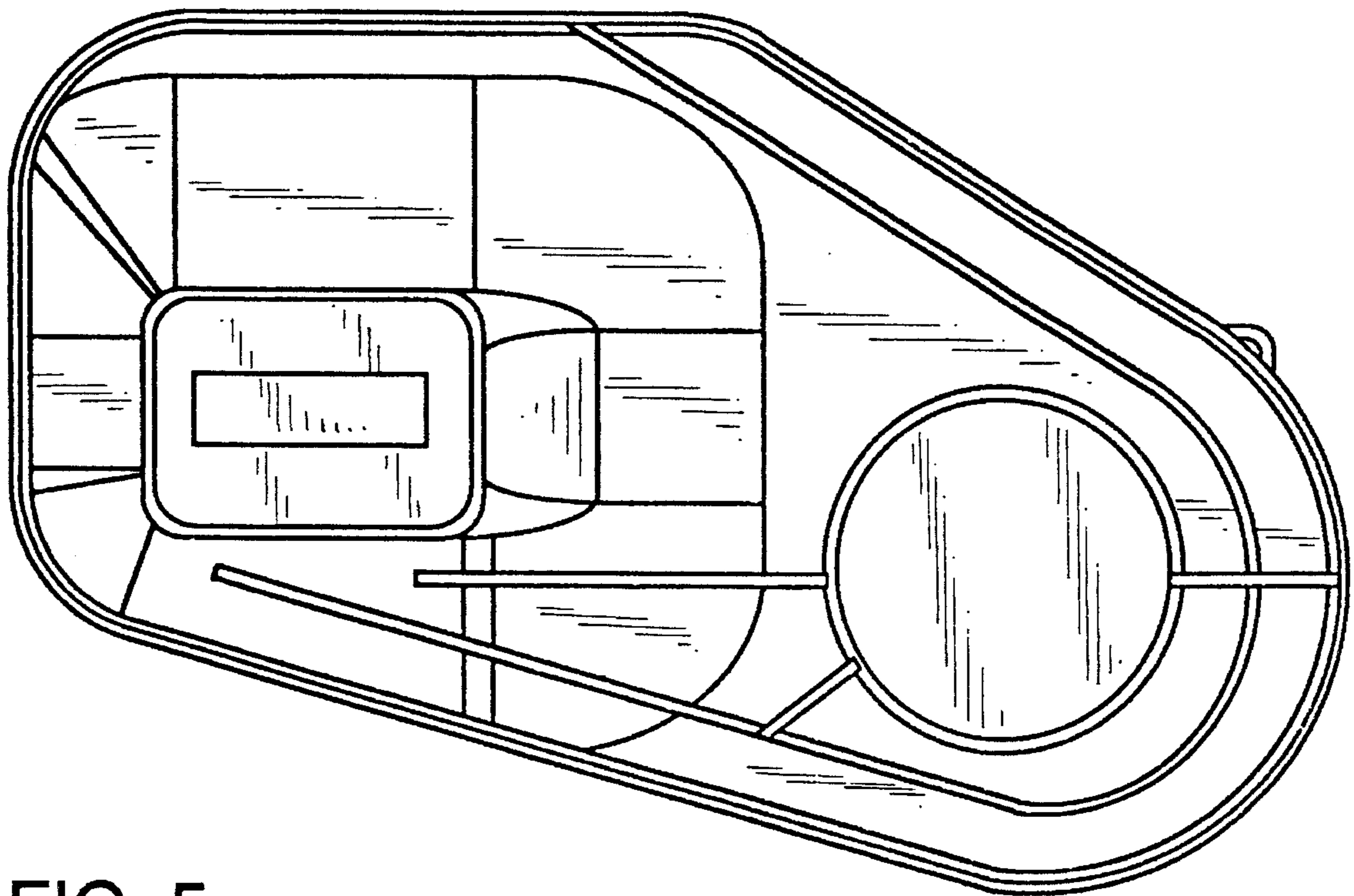


FIG. 5

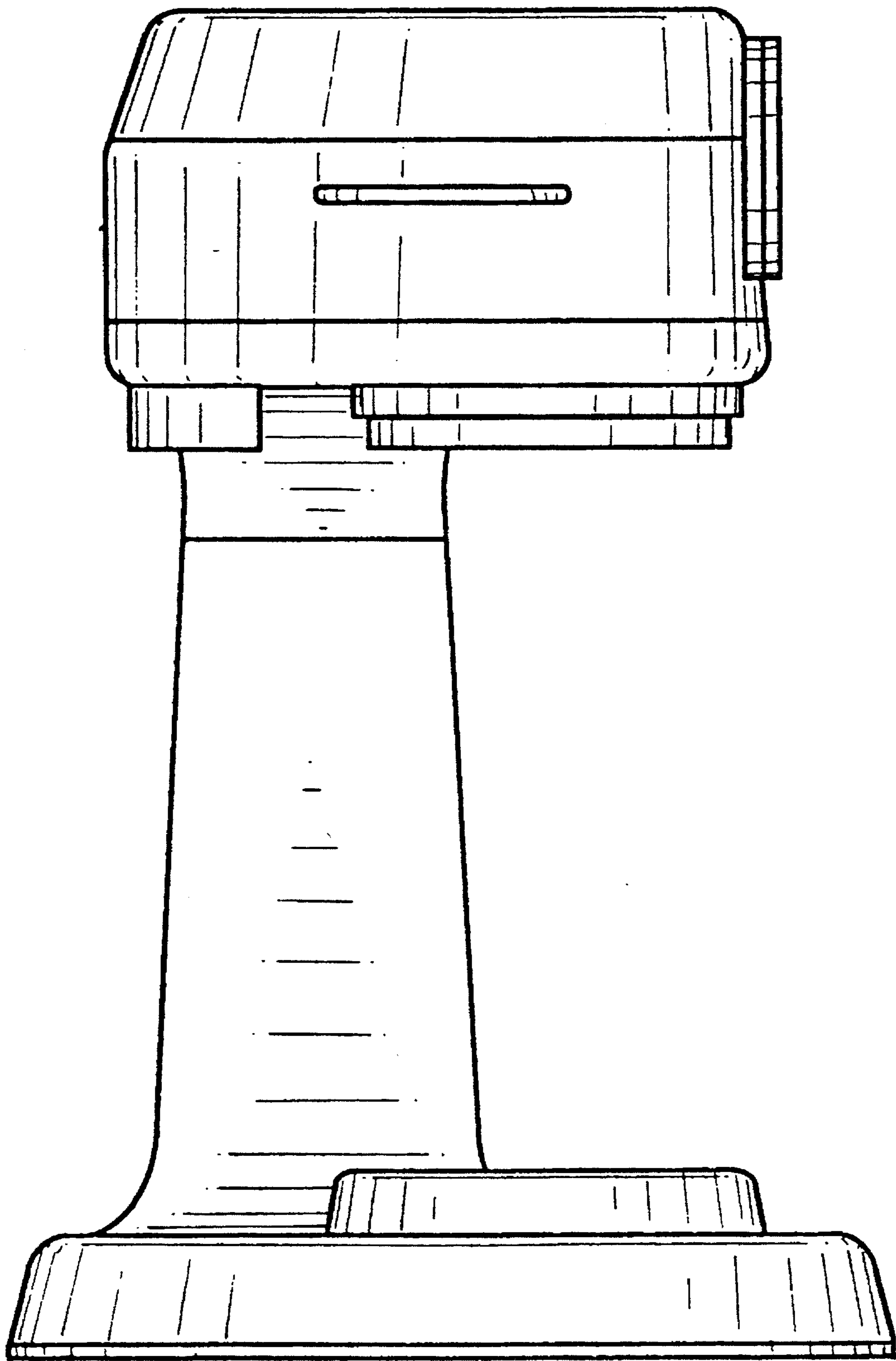


FIG. 6

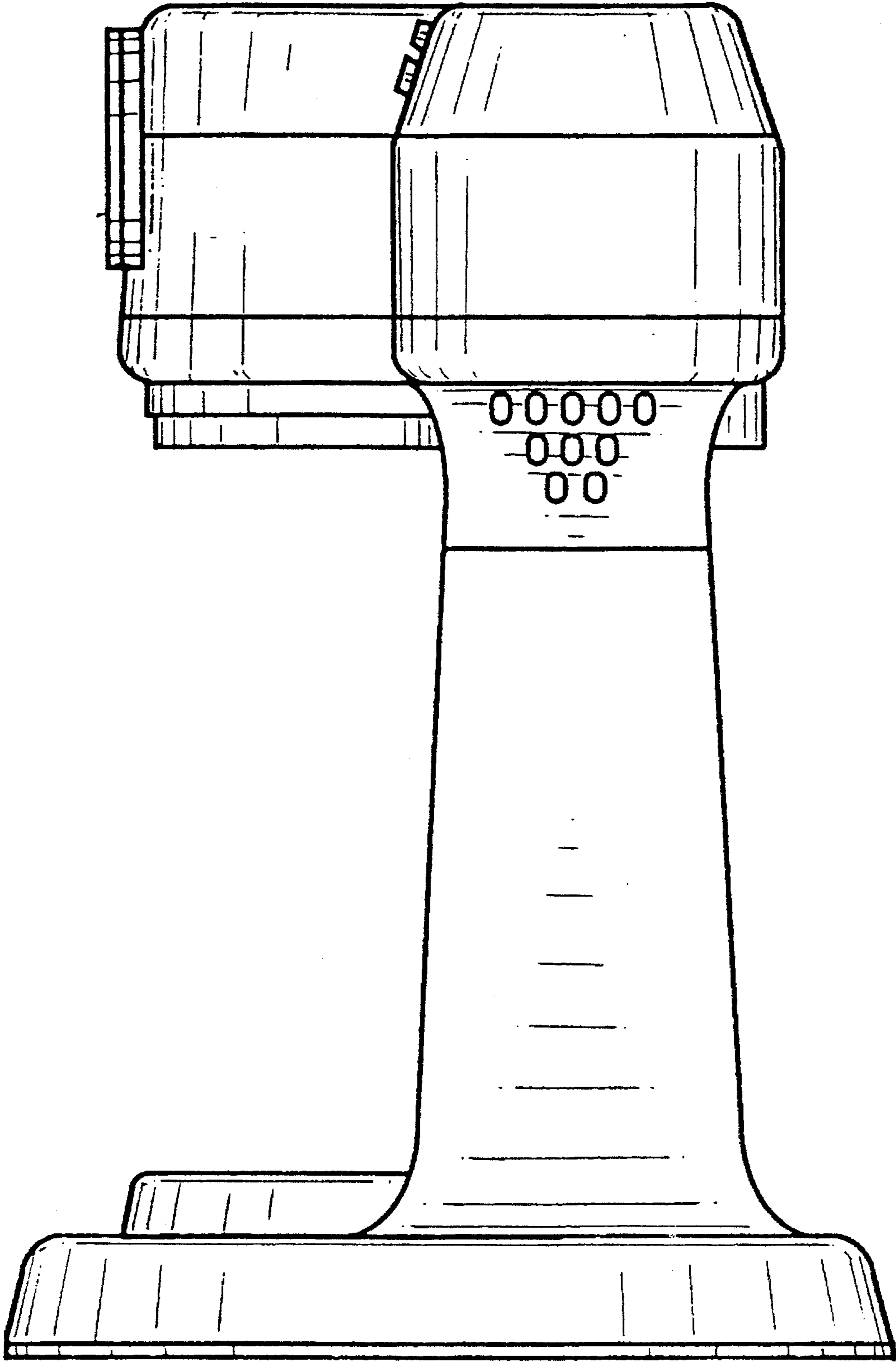


FIG. 7