



US00D372160S

United States Patent [19]
Morgan

[11] **Patent Number: Des. 372,160**

[45] **Date of Patent: **Jul. 30, 1996**

[54] **CAR CUSHION**

[76] Inventor: **Brenda Morgan**, 41795 Largo, Palm Desert, Calif. 92211

[**] Term: **14 Years**

[21] Appl. No.: **40,395**

[22] Filed: **Jun. 16, 1995**

[52] U.S. Cl. **D6/601; D6/596**

[58] Field of Search D6/595, 596, 601, D6/604, 606; 5/630, 632, 633, 636, 637, 657, 652, 653, 465; 297/230.1, 230.12, 403

[56] **References Cited**

U.S. PATENT DOCUMENTS

D. 325,144	4/1992	Mason	D6/601
D. 335,418	5/1993	Bowes et al.	D6/601
3,578,383	5/1971	Thad	5/636

Primary Examiner—Lisa P. Lichtenstein
Attorney, Agent, or Firm—John Lezdey

[57] **CLAIM**

The ornamental design for a car cushion, as shown and described.

DESCRIPTION

FIG. 1 is a perspective view of the car cushion of the invention with the head rest in position;

FIG. 2 is a top view;

FIG. 3 is a bottom view;

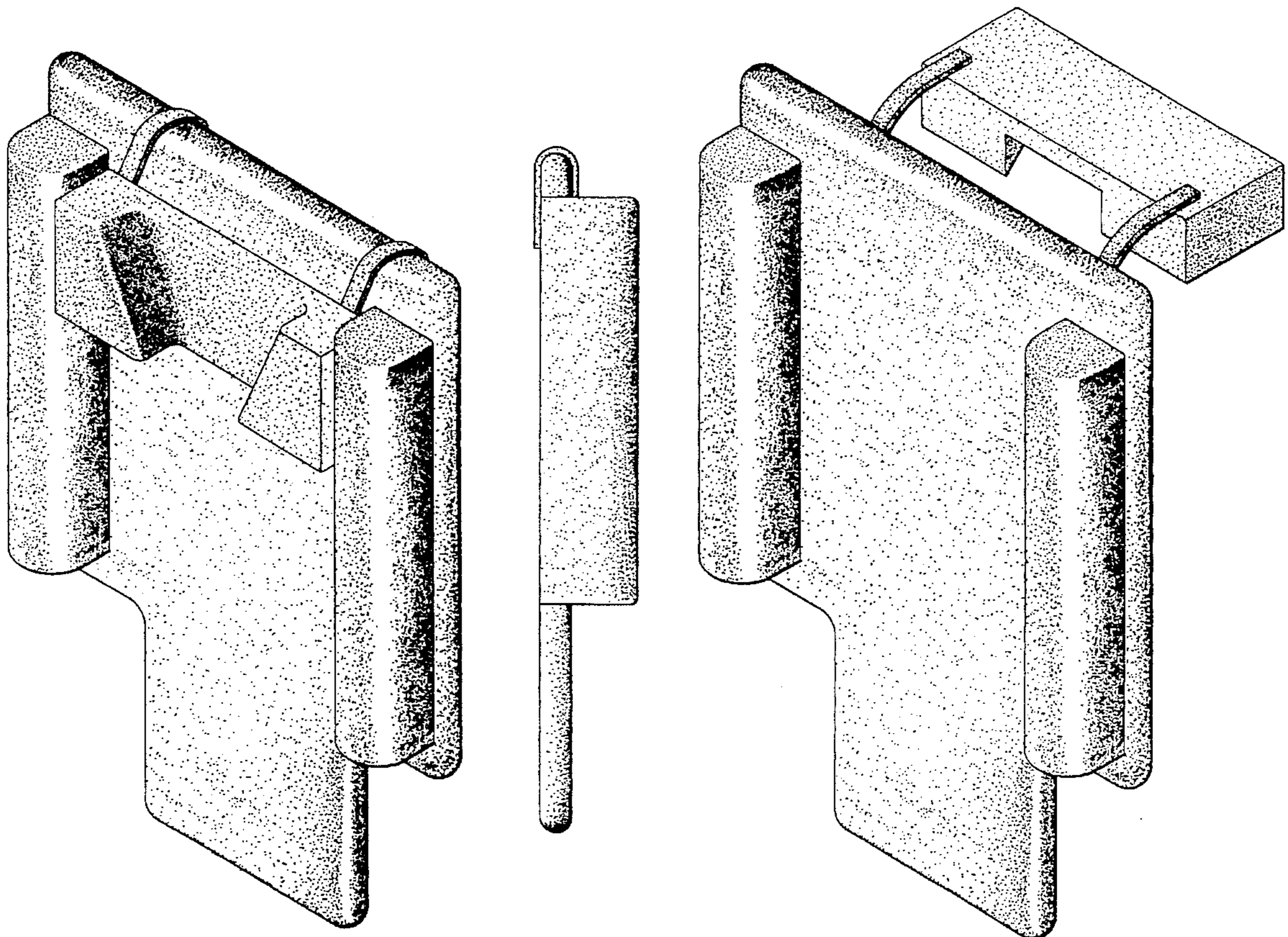
FIG. 4 is a front view;

FIG. 5 is a back view;

FIG. 6 is a right side view, the other side being the same; and,

FIG. 7 is a perspective view with the head rest in the up position.

1 Claim, 4 Drawing Sheets



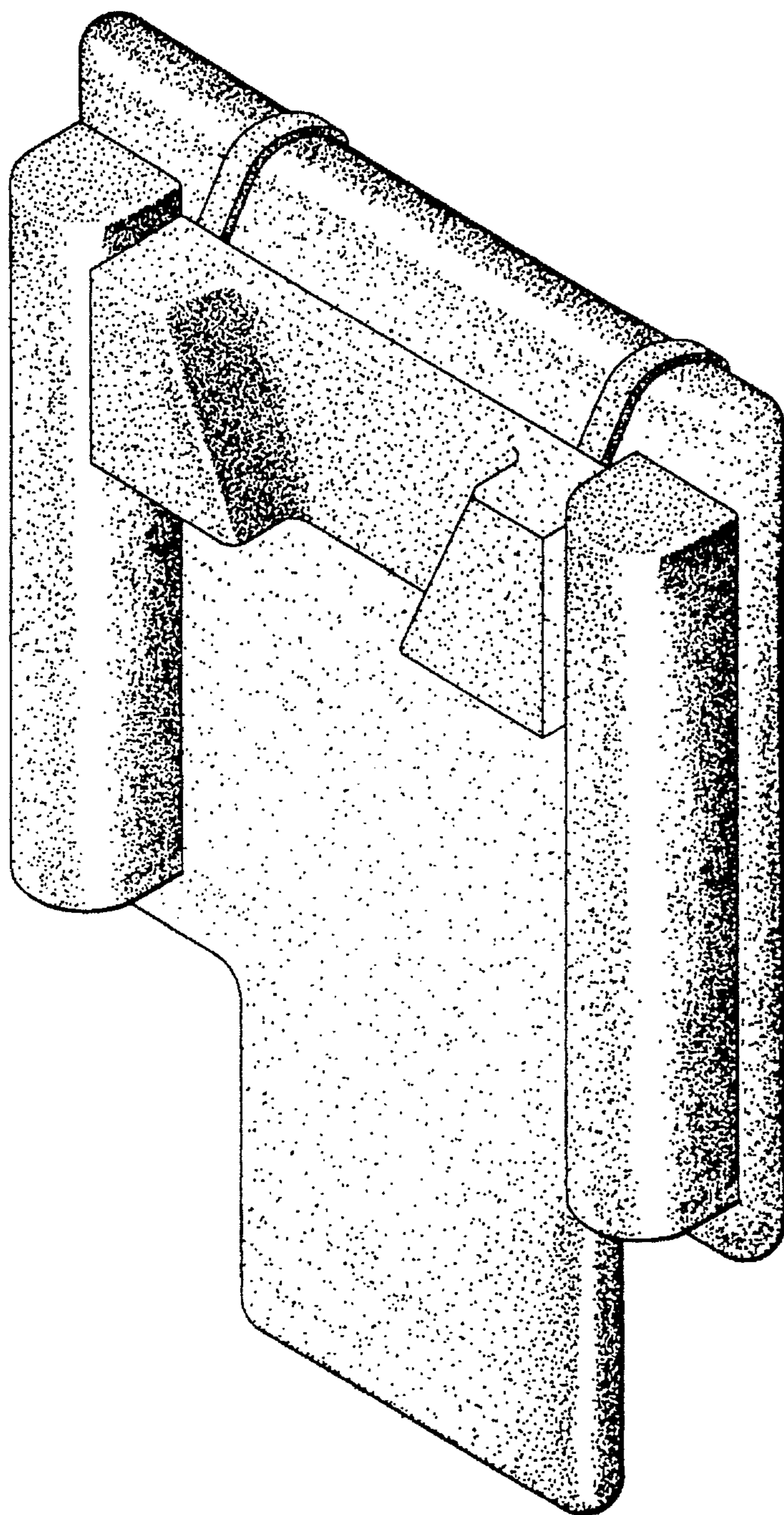


FIG. 1

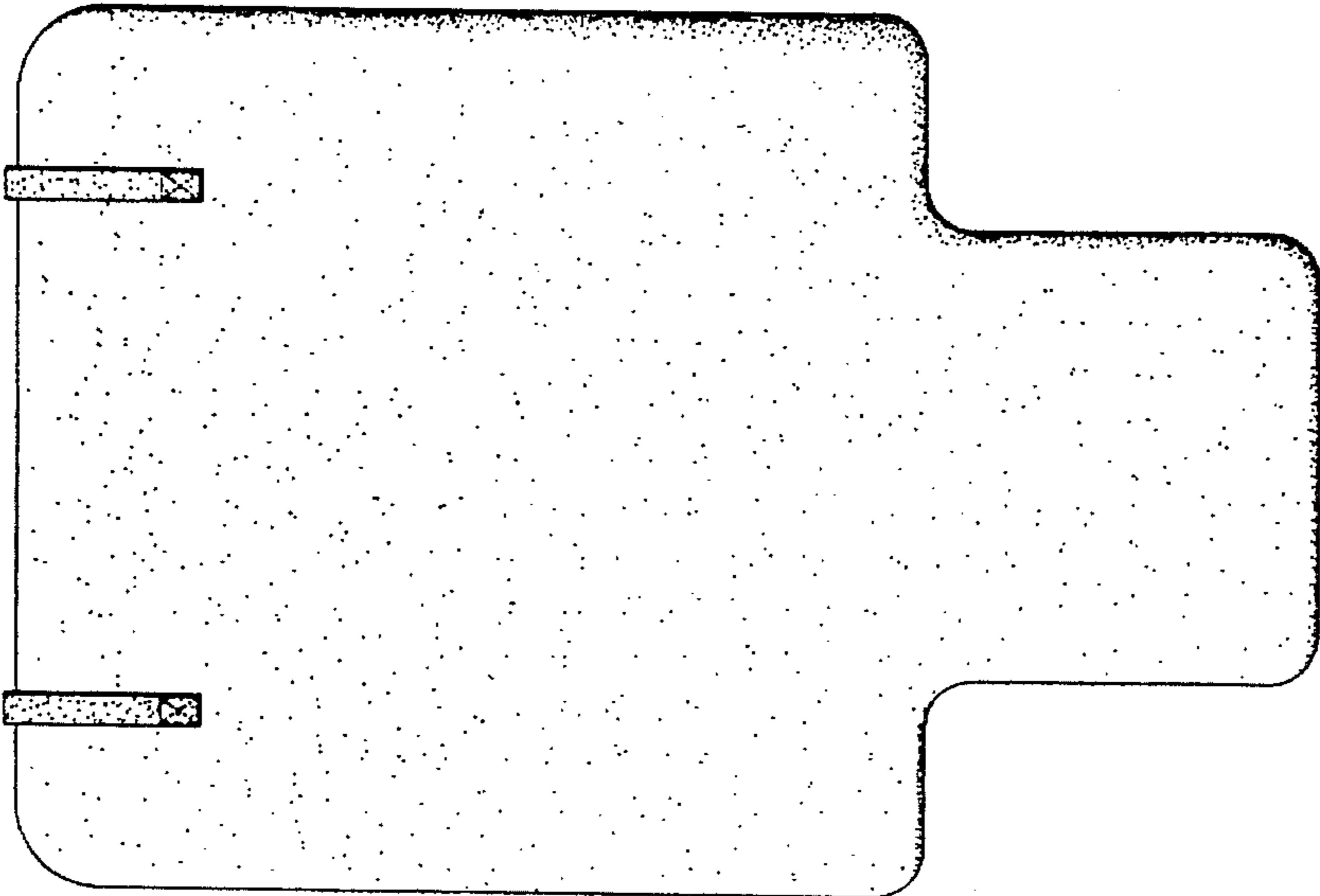


FIG. 3

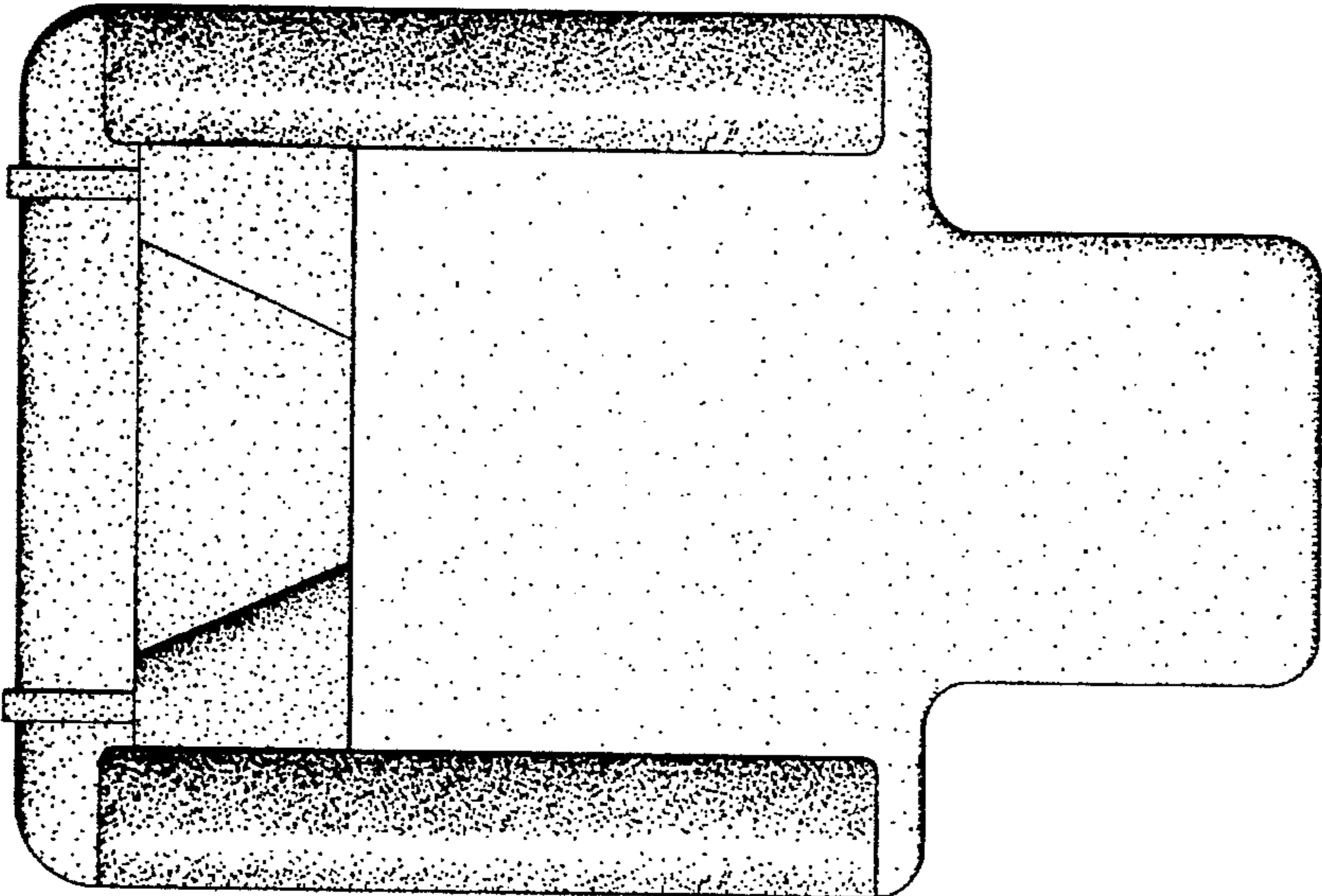


FIG. 2



FIG. 6

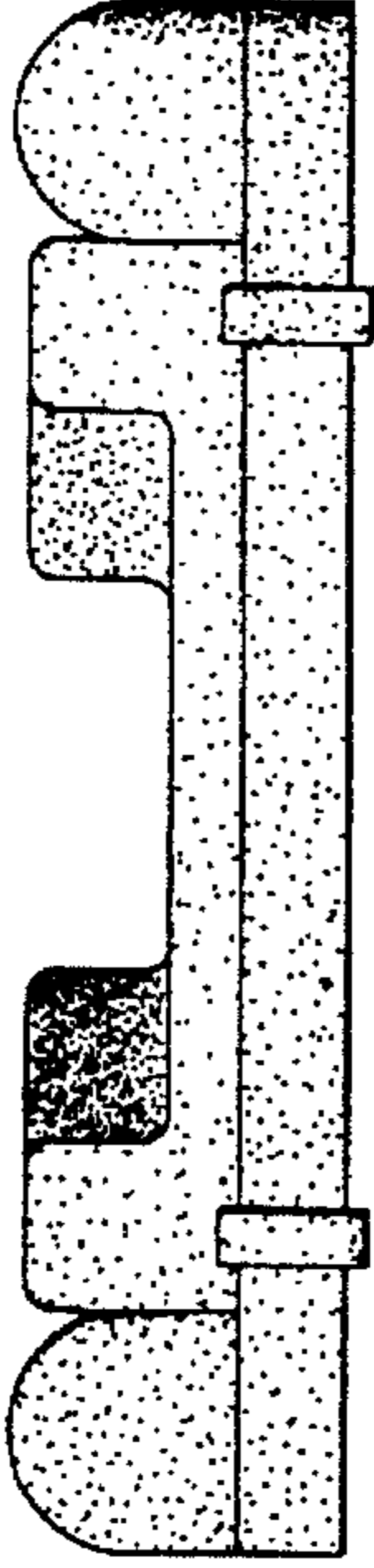


FIG. 4

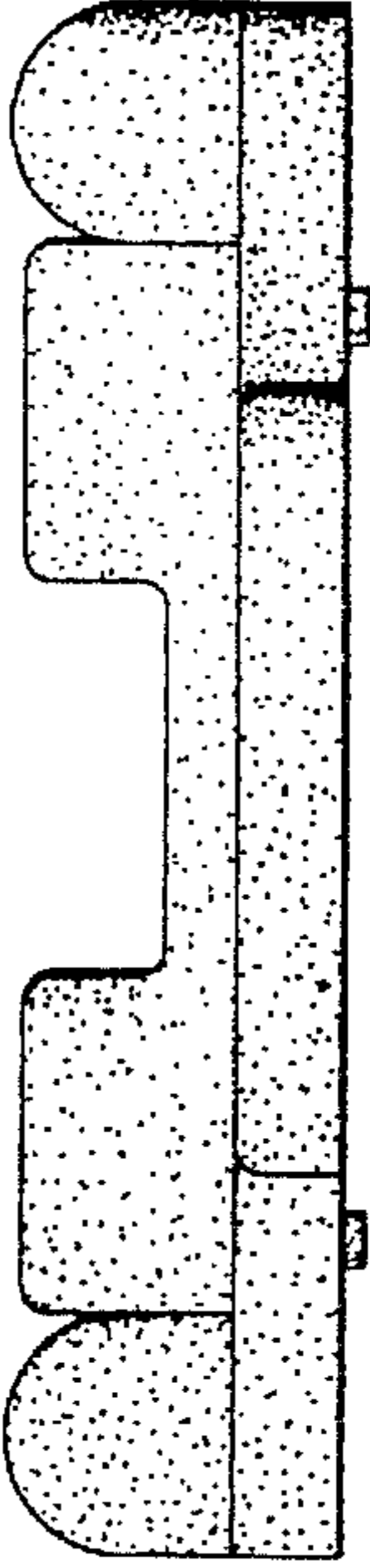


FIG. 5

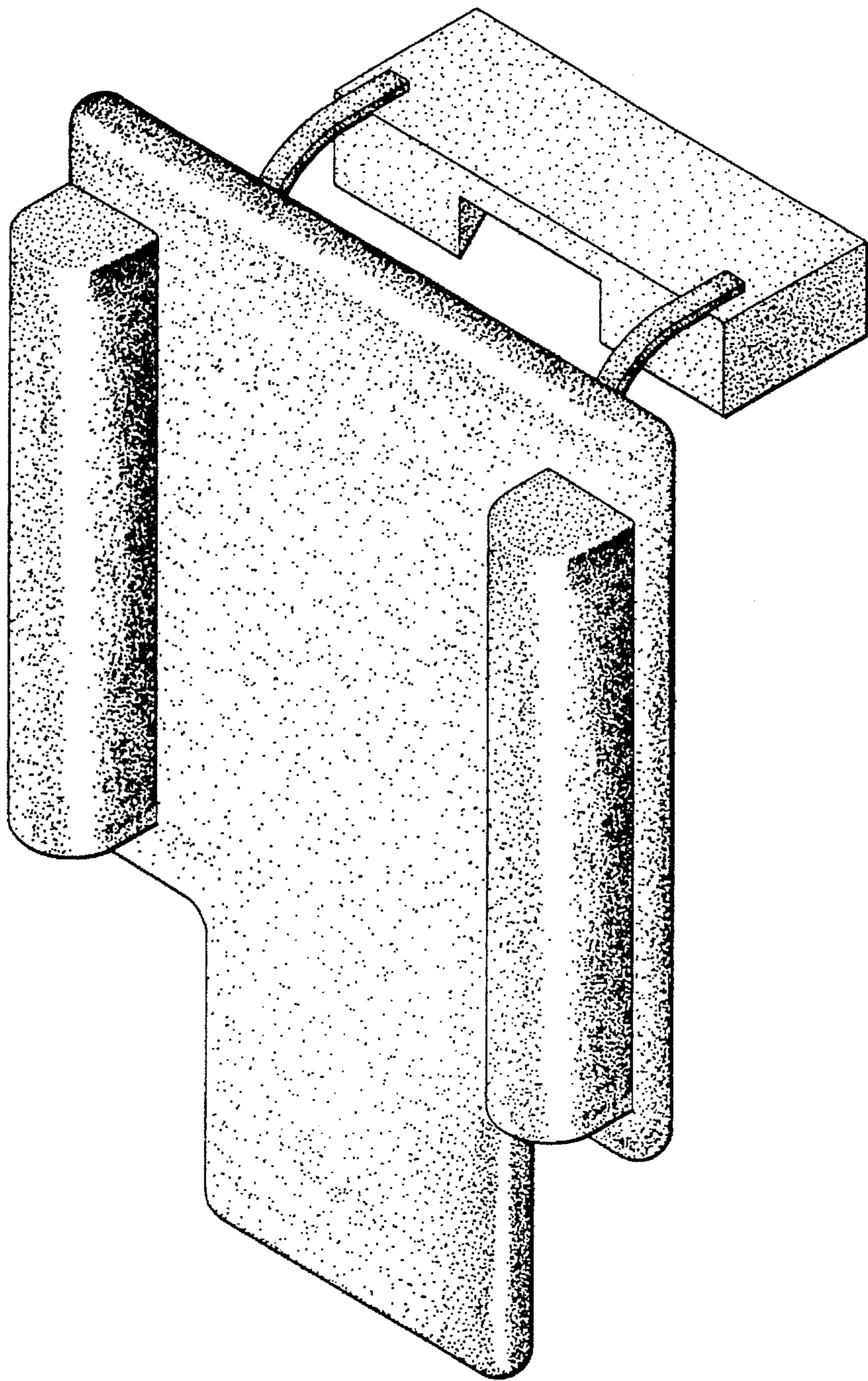


FIG. 7