



US00D372159S

United States Patent [19]

Bonaddio et al.

[11] Patent Number: **Des. 372,159**

[45] Date of Patent: ****Jul. 30, 1996**

[54] PILLOW

[75] Inventors: **Vincenzo A. Bonaddio**, Rancho Santa Margarita; **Jose D. J. M. Contreras**, Apple Valley, both of Calif.

[73] Assignee: **Foamex L.P.**, Linwood, Pa.

[**] Term: **14 Years**

[21] Appl. No.: **39,197**

[22] Filed: **May 23, 1995**

[52] U.S. Cl. **D6/601; D6/596**

[58] Field of Search **D6/601, 595, 596; 5/636, 652, 901, 448**

[56] References Cited

U.S. PATENT DOCUMENTS

D. 292,460	10/1987	Malin	D6/601
D. 317,236	6/1991	Dixon	D6/601
4,424,599	1/1984	Hannouche	5/636

OTHER PUBLICATIONS

Core Products International Inc. Adv. Flyer, ©1988, p. 2, pillow A, middle right side of page.

Primary Examiner—Lisa P. Lichtenstein
Attorney, Agent, or Firm—Natan Epstein

[57] CLAIM

The ornamental design for a pillow, as shown.

DESCRIPTION

FIG. 1 is a top right side view of a pillow, showing our new design;

FIG. 2 is a right side elevational view thereof;

FIG. 3 is a top plan view thereof;

FIG. 4 is a front elevational view thereof;

FIG. 5 is a left side elevational view thereof;

FIG. 6 is a rear elevational view thereof; and,

FIG. 7 is a bottom right side perspective view thereof.

1 Claim, 2 Drawing Sheets

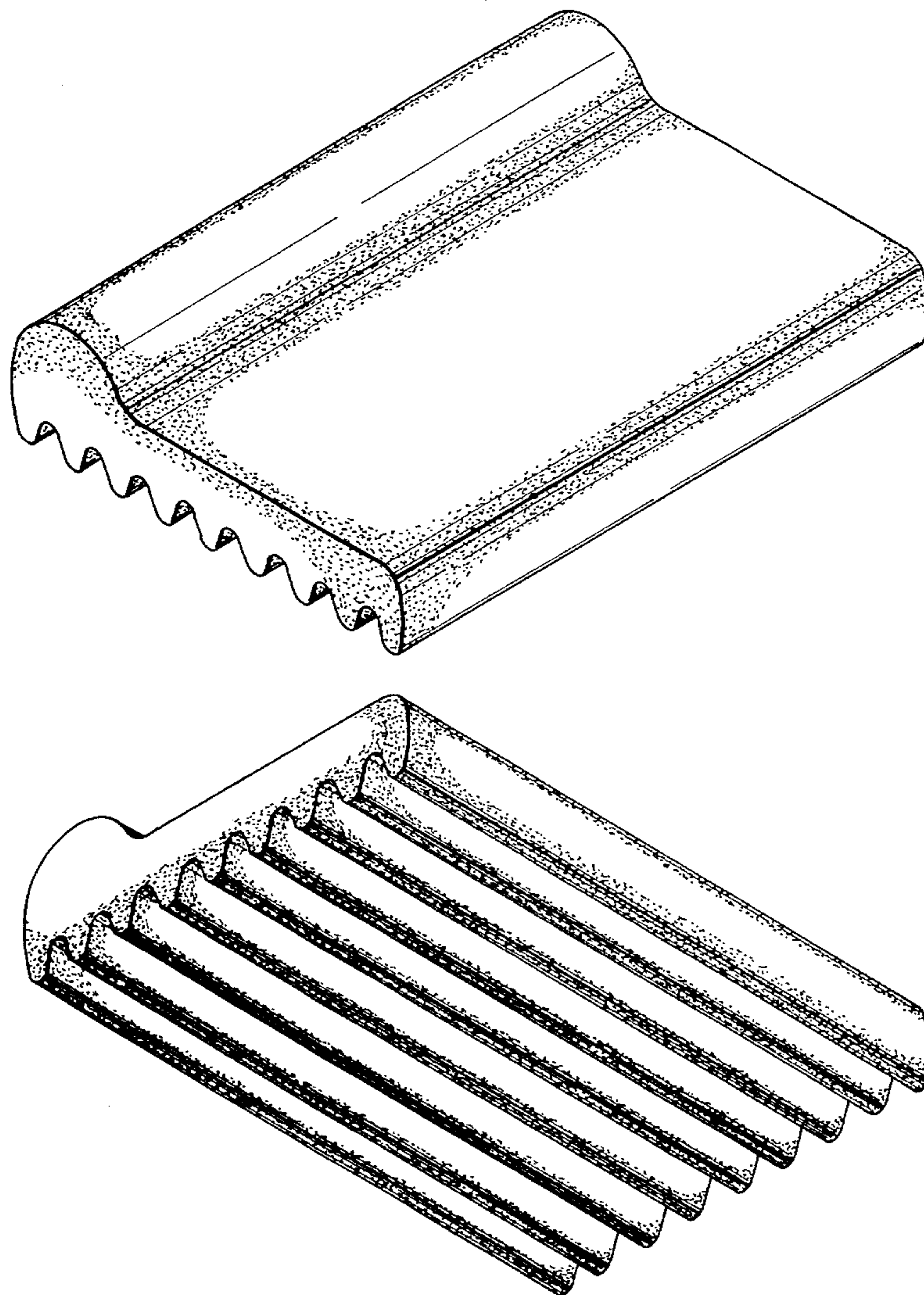


Fig. 1

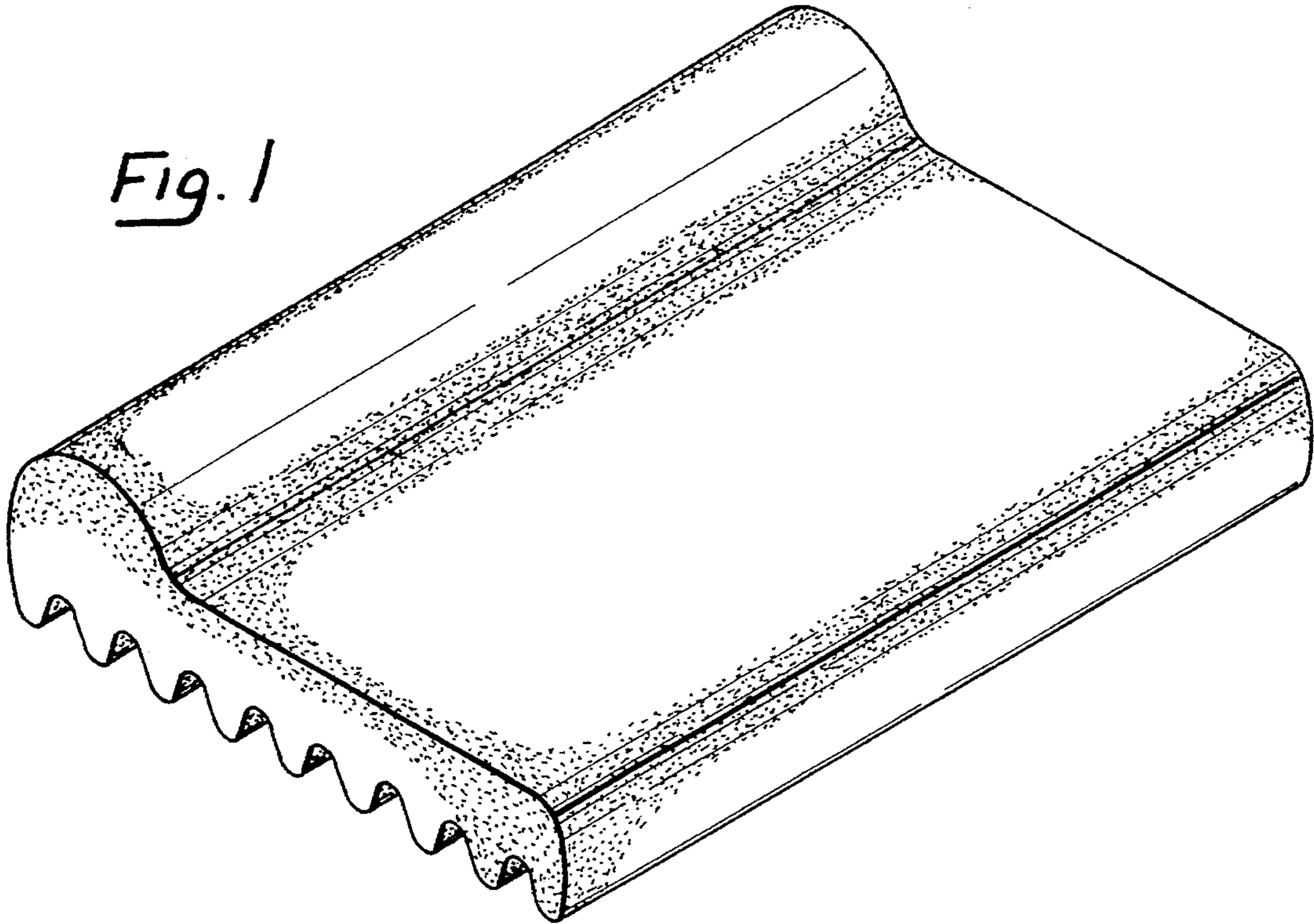


Fig. 2

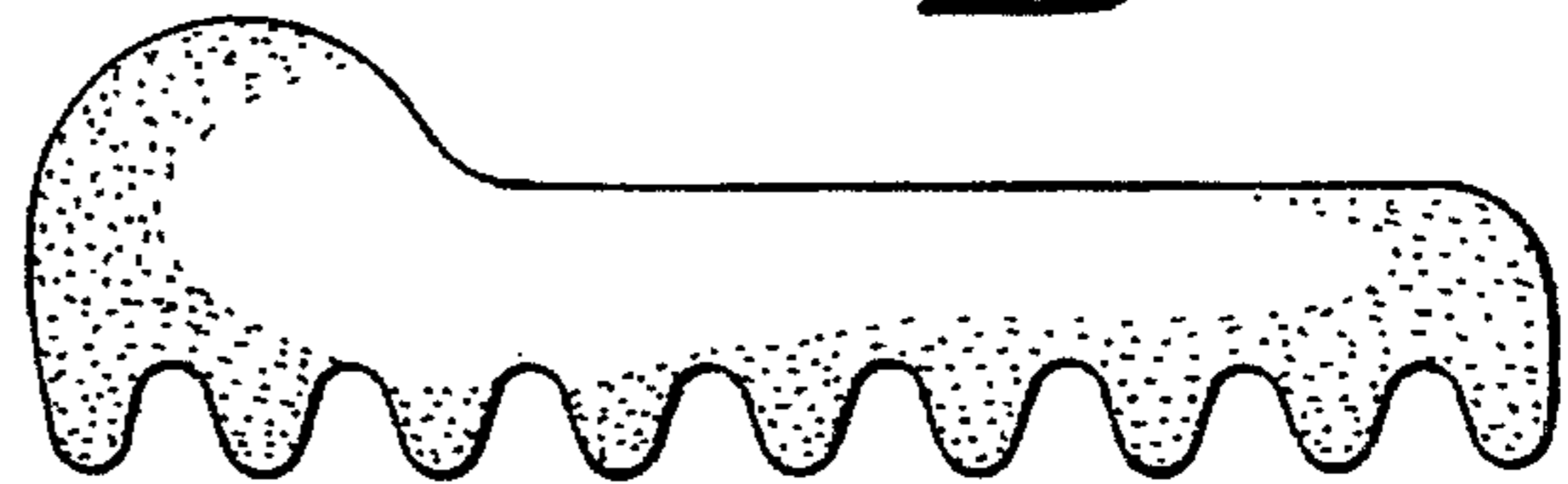
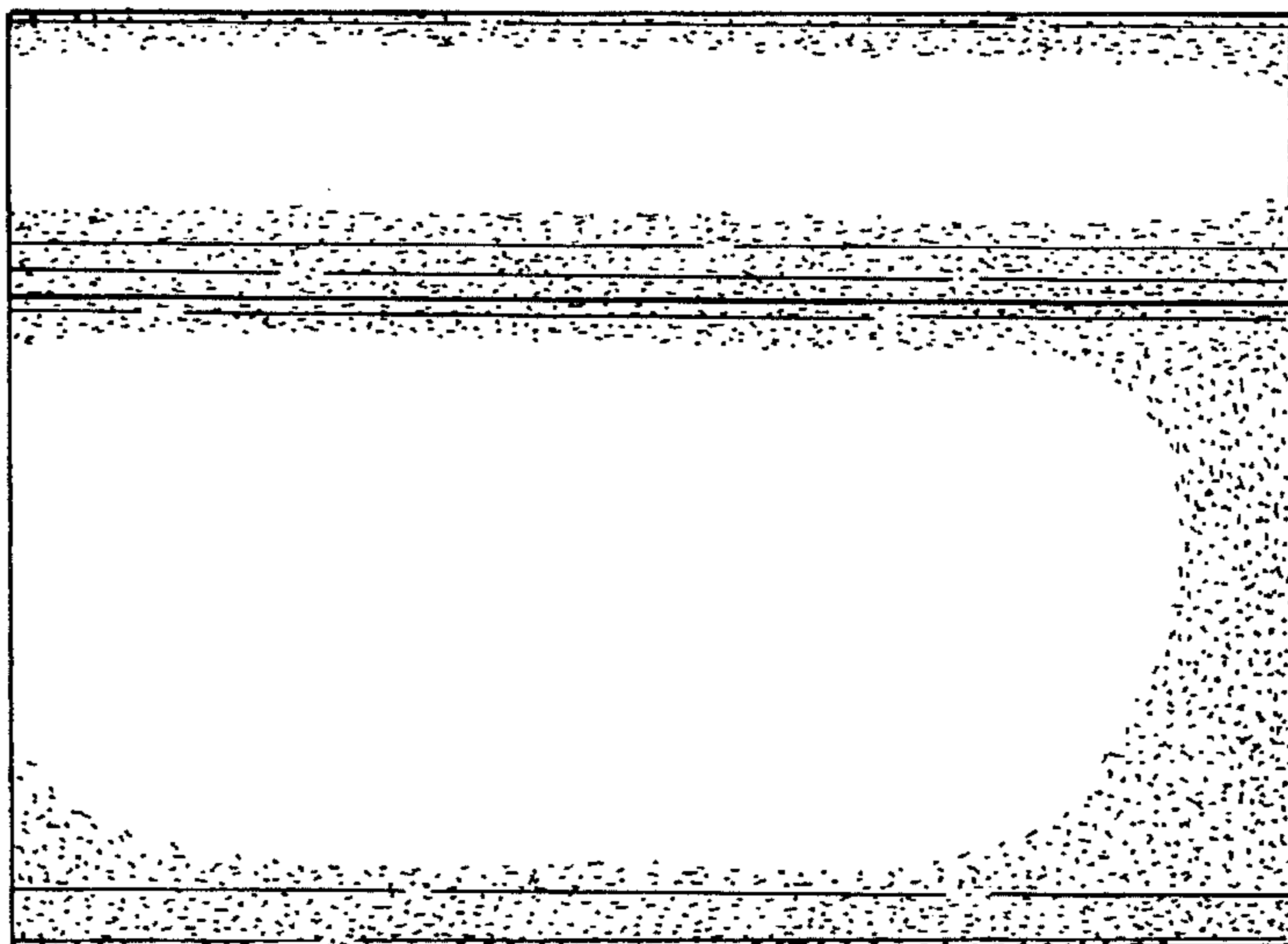


Fig. 3



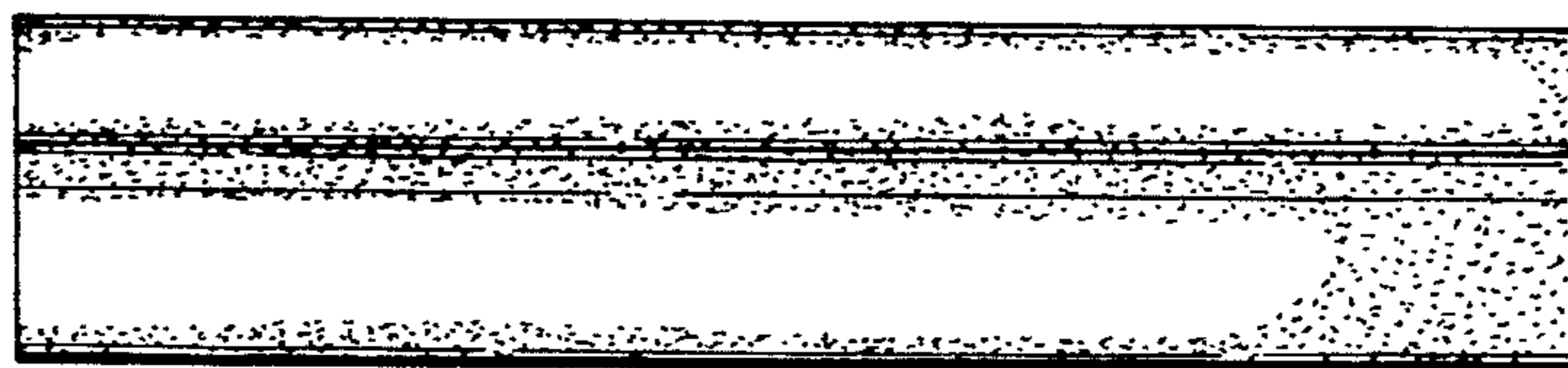


Fig. 4

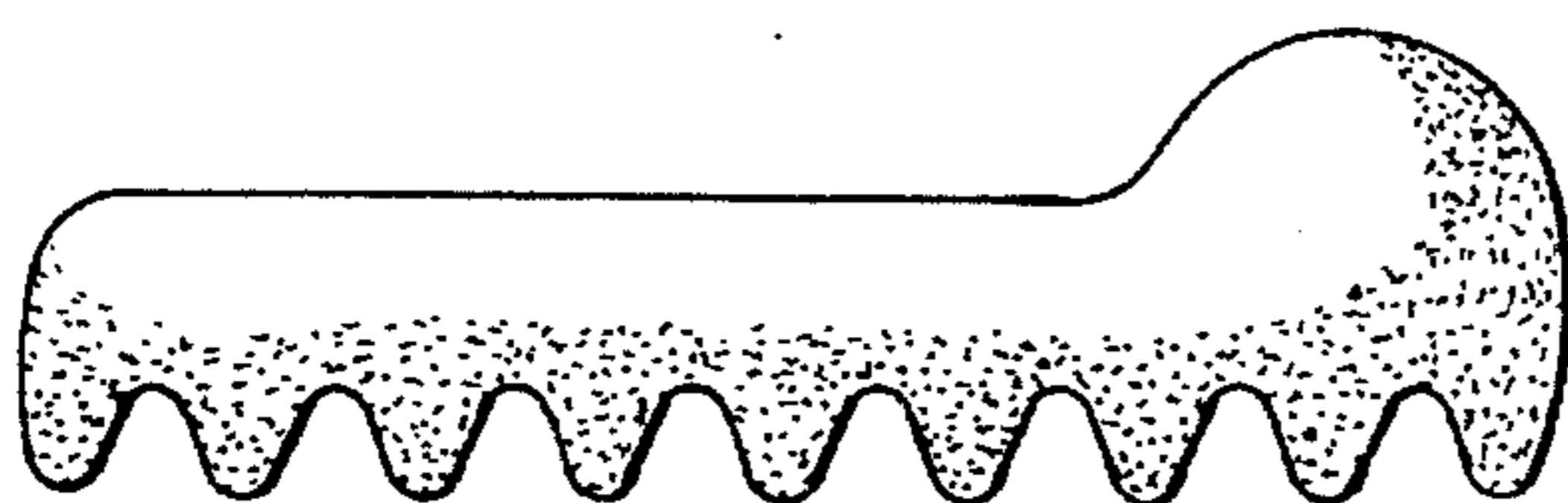


Fig. 5

Fig. 6

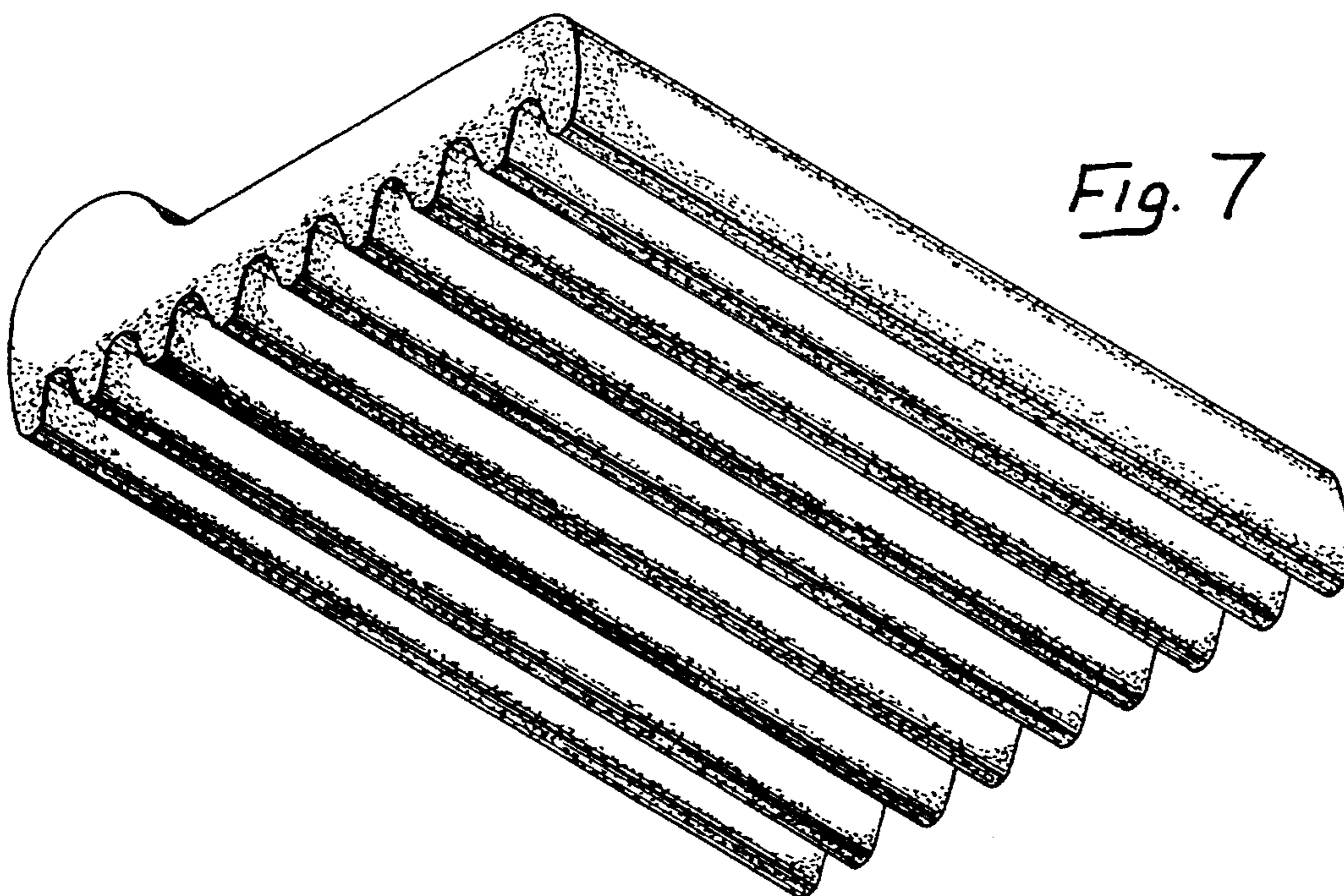
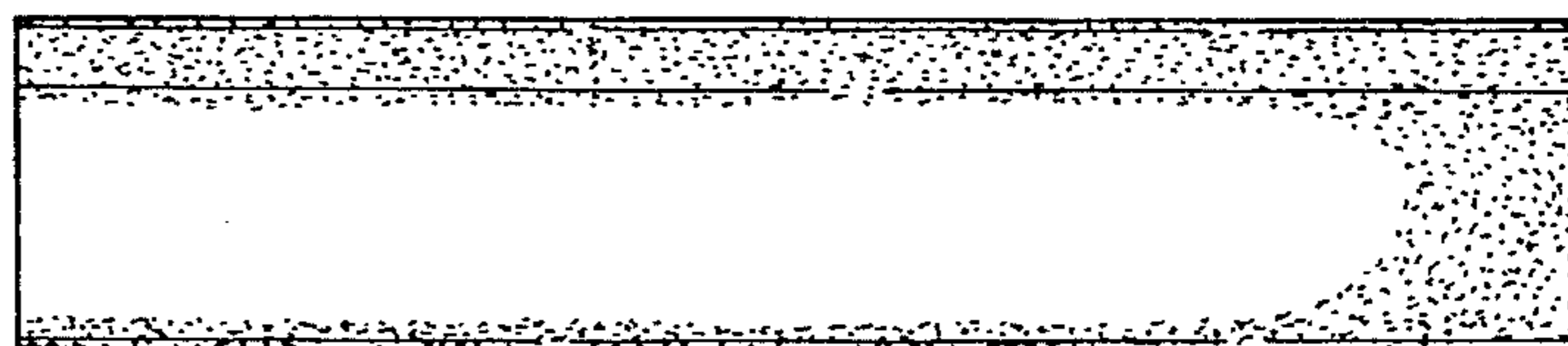


Fig. 7