



US00D372155S

United States Patent [19] Black

[11] Patent Number: **Des. 372,155**

[45] Date of Patent: ****Jul. 30, 1996**

[54] **HAND SOAP AND CONTAINER THEREFOR**

[76] Inventor: **Patricia R. Black**, Rte. 7 Box 134C,
Leesville, S.C. 29070

[**] Term: **14 Years**

[21] Appl. No.: **40,606**

[22] Filed: **Jun. 22, 1995**

[52] U.S. Cl. **D6/536**

[58] Field of Search D6/536-540; D9/500,
D9/503-504, 506, 426; 206/77.1; D28/73,
76, 78, 82, 91

[56] **References Cited**

U.S. PATENT DOCUMENTS

D. 341,501	11/1993	Tiramani et al.	D6/536
D. 341,972	12/1993	Tiramani et al.	D6/536
D. 349,207	8/1994	Wolff	D6/536

Primary Examiner—Brian N. Vinson
Attorney, Agent, or Firm—Harpman & Harpman

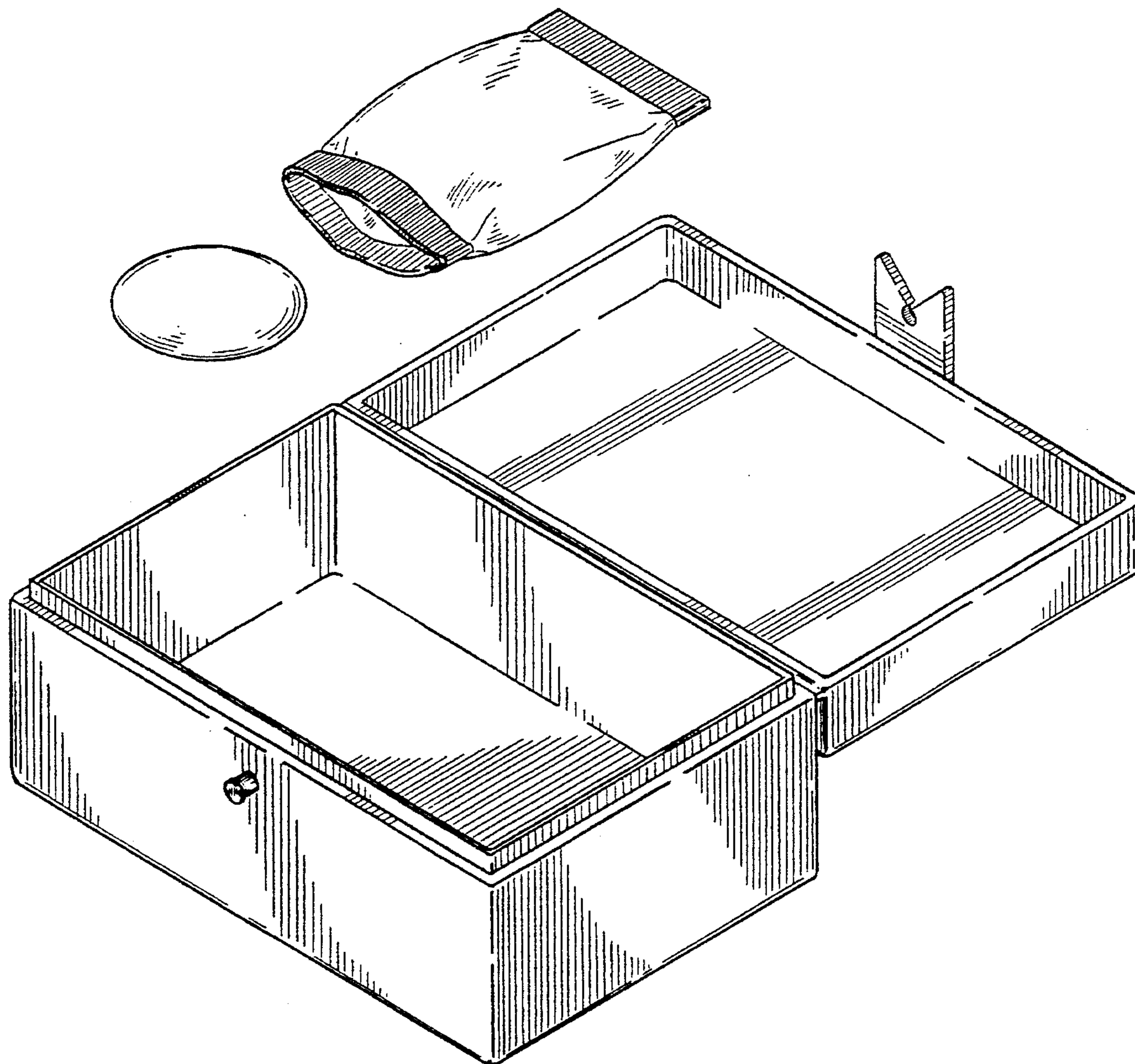
[57] **CLAIM**

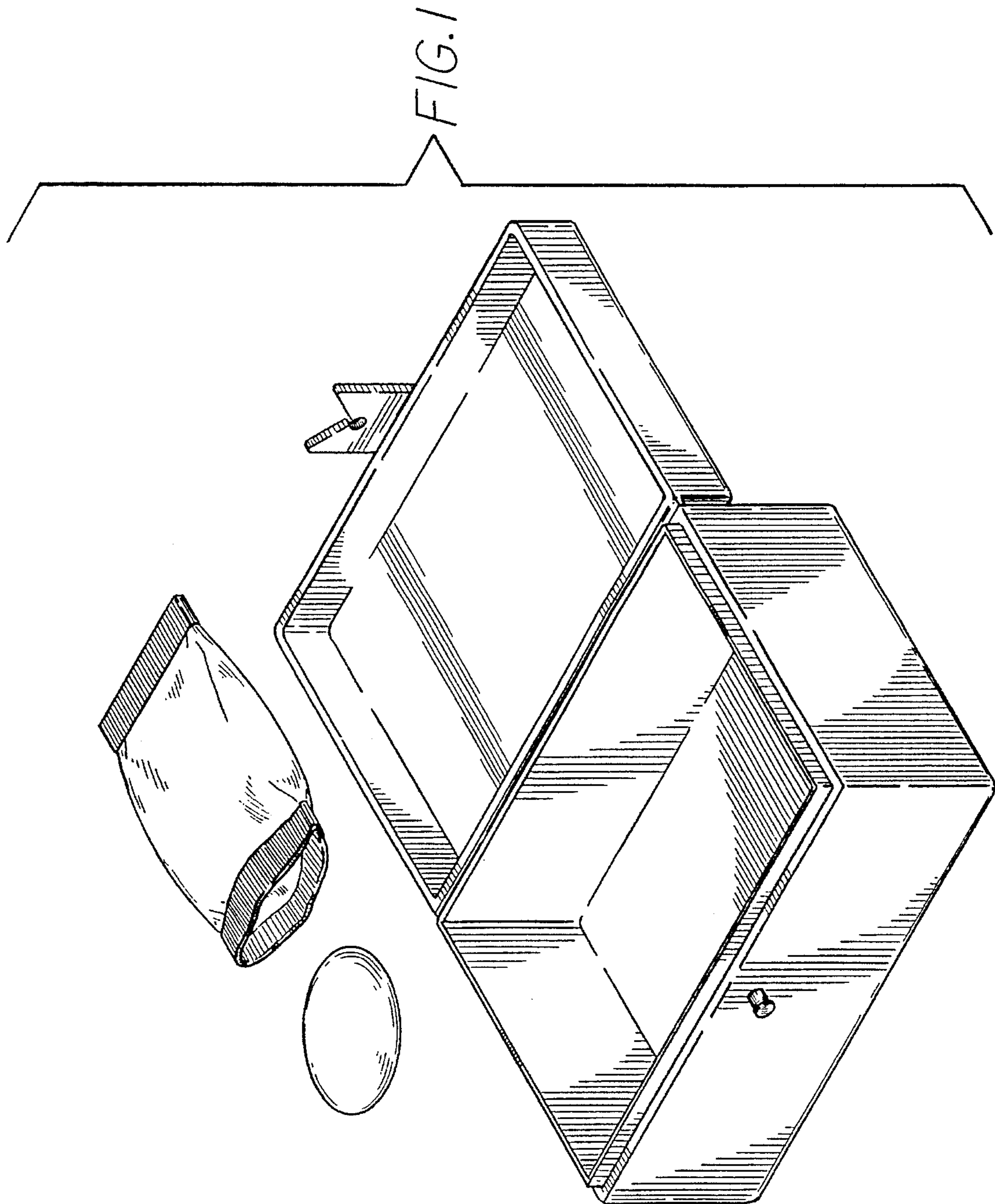
The ornamental design for a hand soap and container therefor, as shown and described.

DESCRIPTION

FIG. 1 is an exploded top, front, and right side perspective view of hand soap and container therefor showing my new design in an open position, the bottoms of the soap and sheath elements being a mirror images of the tops; FIG. 2 is a front elevational view in closed position; FIG. 3 is a rear elevational view thereof; FIG. 4 is a side elevational view thereof, the opposite side elevational view being identical thereto; FIG. 5 is a top plan view thereof; and, FIG. 6 is a bottom plan view thereof.

1 Claim, 2 Drawing Sheets





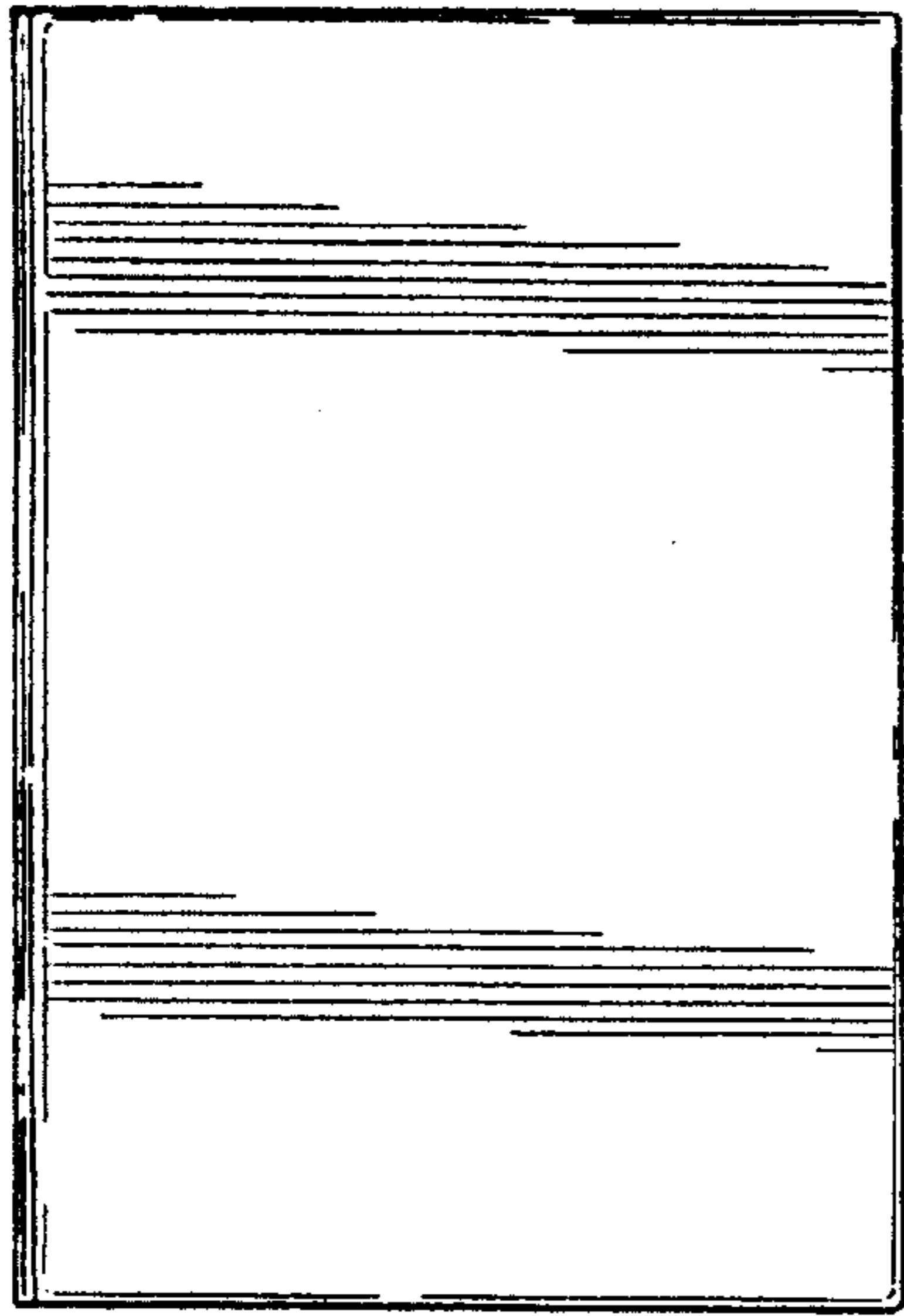


FIG. 5

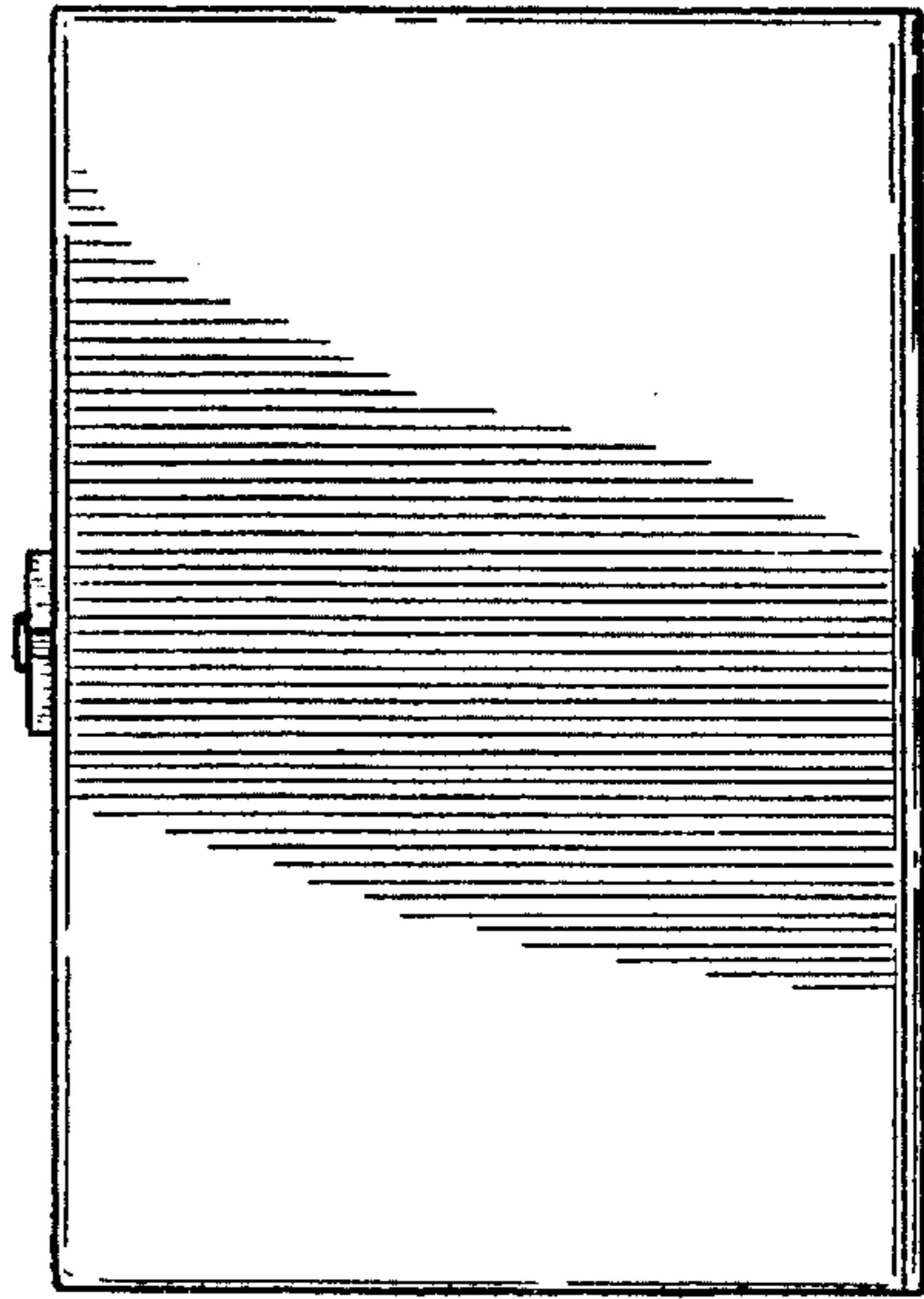


FIG. 6

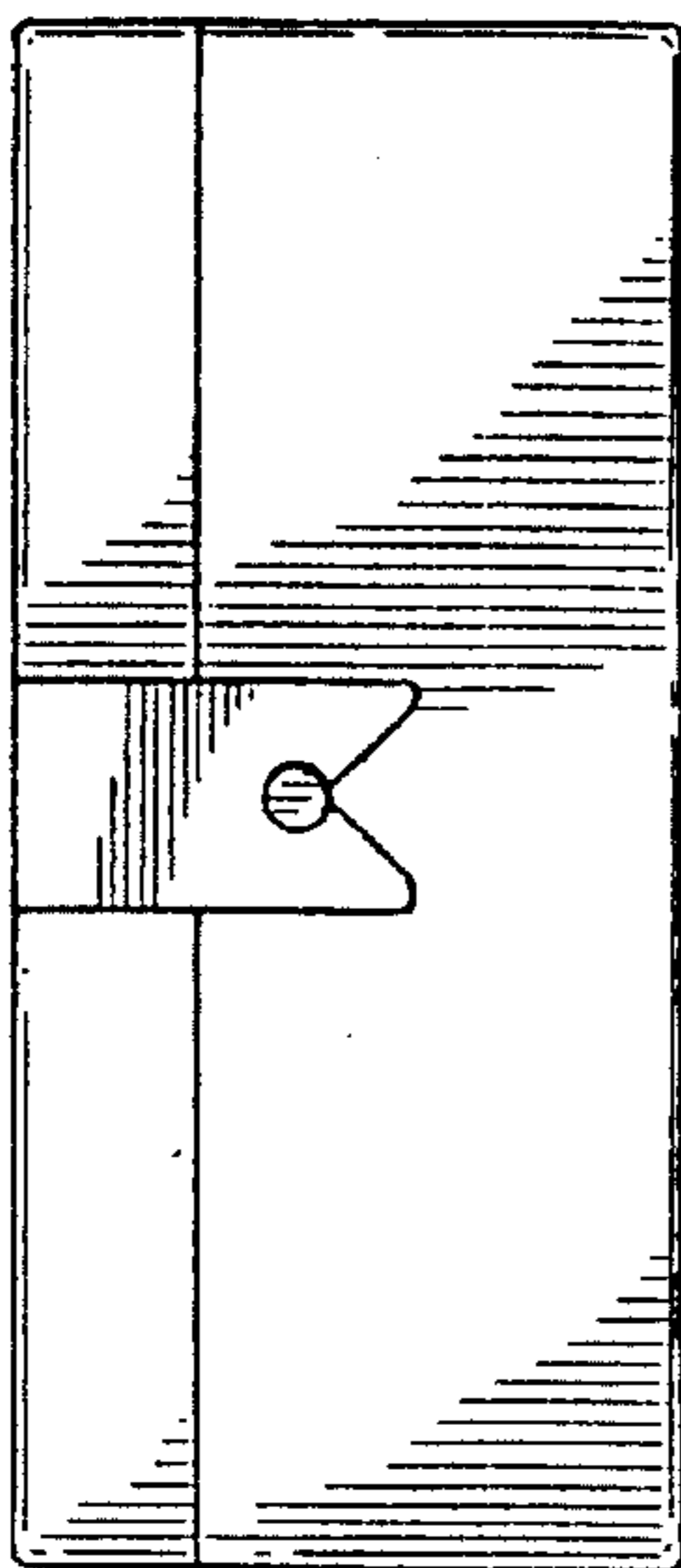


FIG. 2

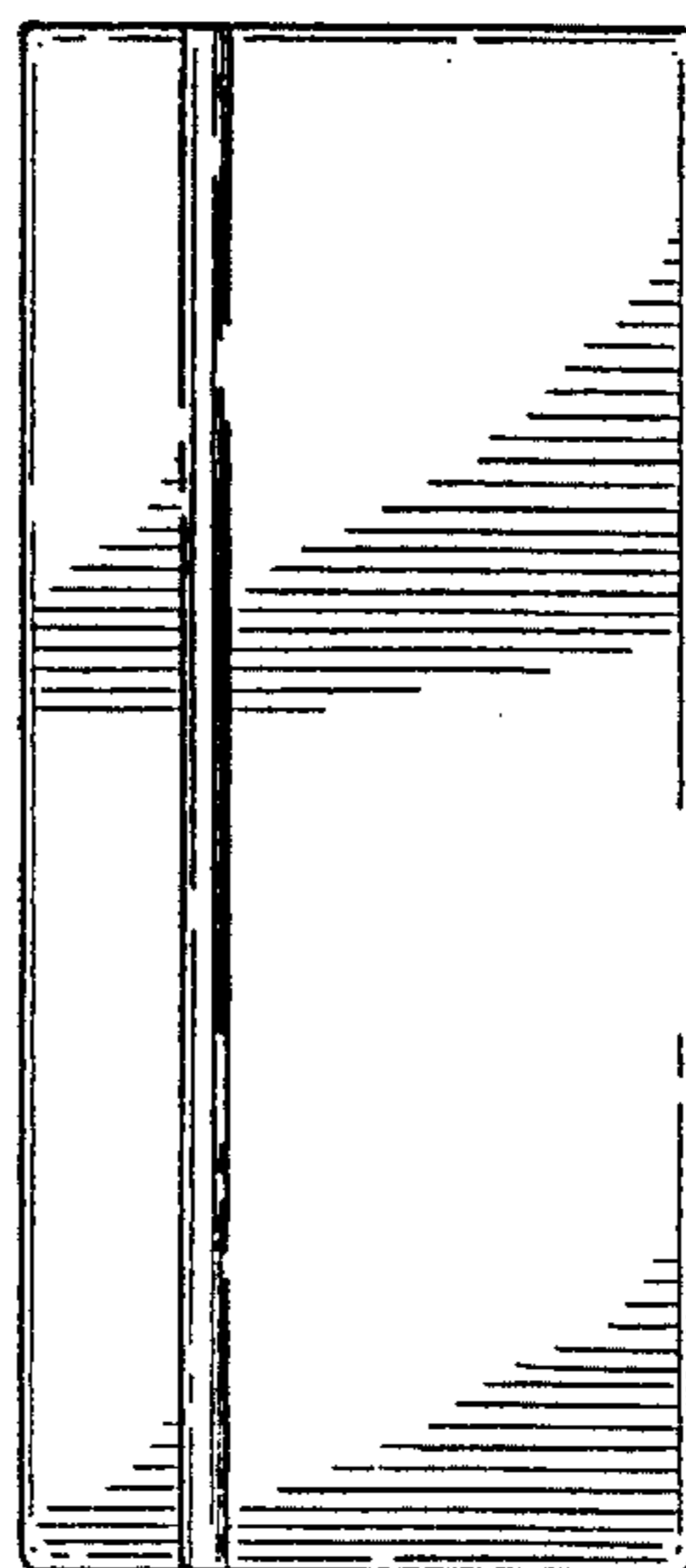


FIG. 3

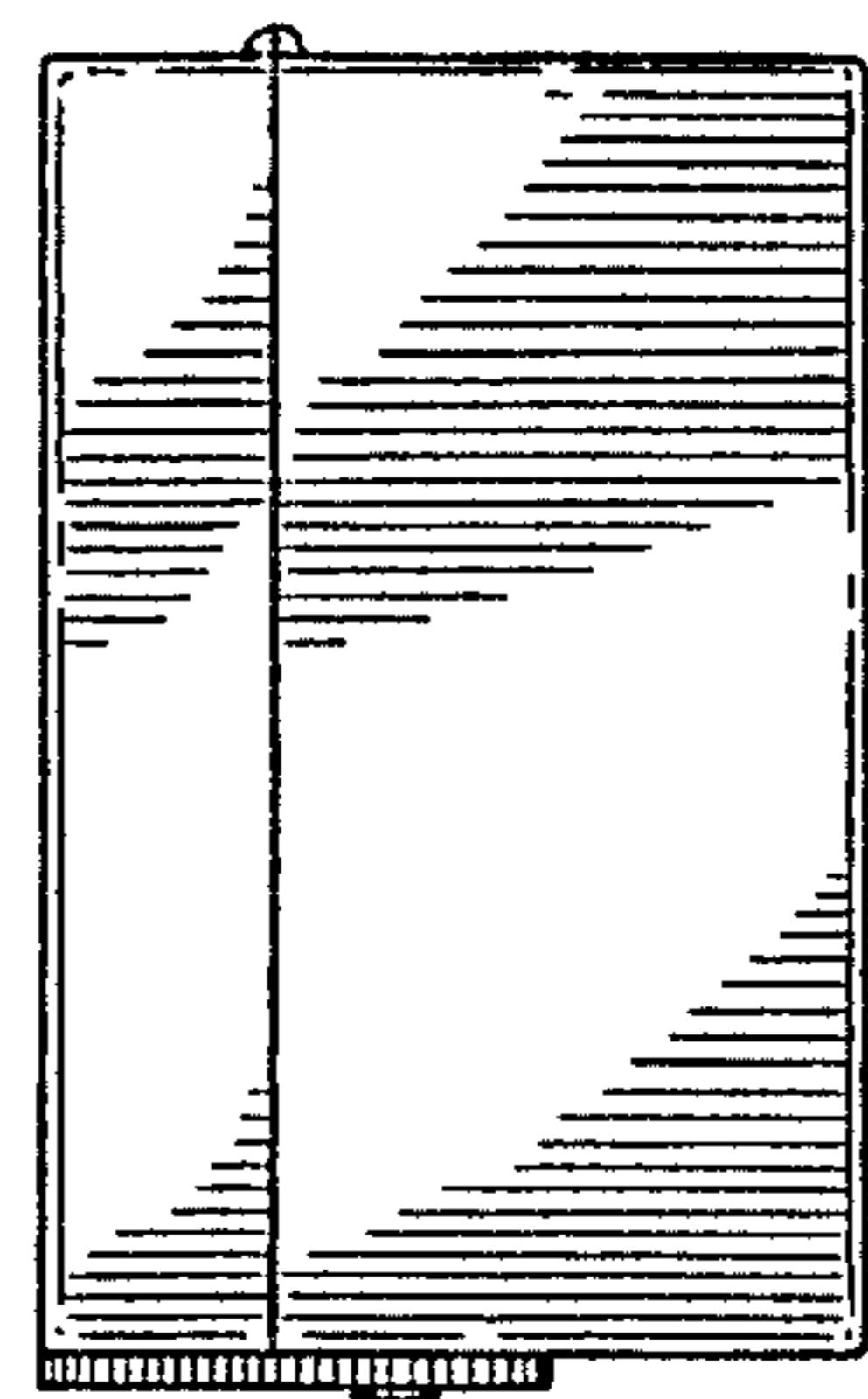


FIG. 4