



US00D372153S

United States Patent [19]
Stringham et al.

[11] **Patent Number: Des. 372,153**
[45] **Date of Patent: **Jul. 30, 1996**

[54] **FABRIC SOFTENER SHEET DISPENSER**

5,310,057 5/1994 Caldwell et al. 206/494

[76] Inventors: **Lynn Stringham; Sara H. Stringham,**
both of 10 N. 7th East, Soda Springs,
Id. 83276

Primary Examiner—Brian N. Vinson
Attorney, Agent, or Firm—Kevin A. Sembrat

[**] Term: **14 Years**

[57] **CLAIM**

The ornamental design for a fabric softener sheet dispenser,
as shown and described.

[21] Appl. No.: **41,145**

DESCRIPTION

[22] Filed: **May 4, 1995**

[52] U.S. Cl. **D6/518**

[58] **Field of Search** D6/518-523; 206/389,
206/494; 242/159, 570, 590, 598; 312/34.1,
34.8

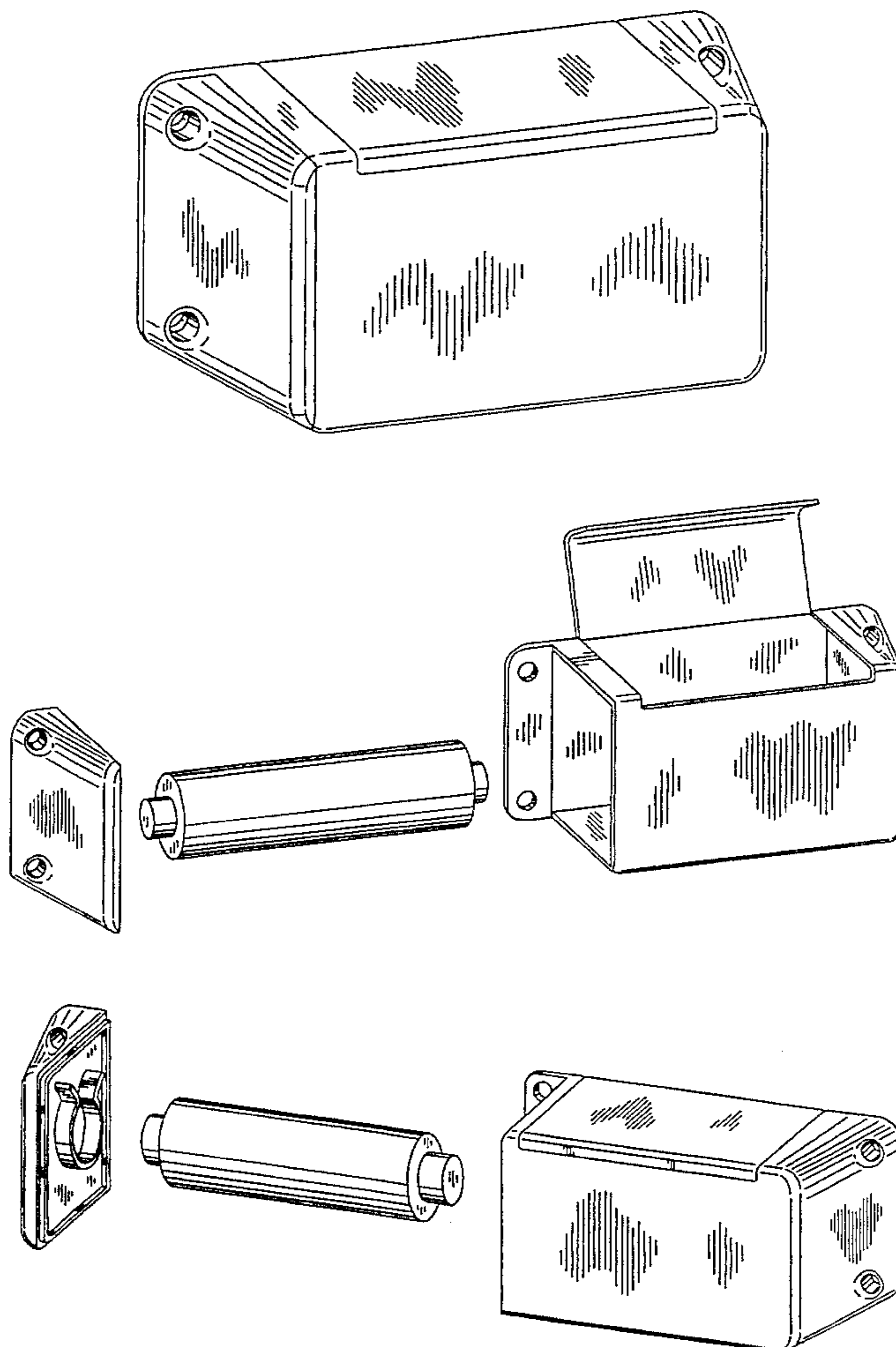
FIG. 1 is a top, front and left side perspective view of a fabric softener sheet dispenser, showing our new design; FIG. 2 is a left side elevational view thereof; FIG. 3 is a right side elevational view thereof; FIG. 4 is a front elevational view thereof; FIG. 5 is a rear elevational view thereof; FIG. 6 is a top plan view thereof; FIG. 7 is a bottom plan view thereof; FIG. 8 is a top, front and left side perspective exploded view thereof, showing a lid in an open position; FIG. 9 is a top, front and right side perspective exploded view thereof, showing the lid in a closed position; FIG. 10 is a left side elevational exploded view thereof; and, FIG. 11 is a top plan exploded view thereof.

[56] **References Cited**

U.S. PATENT DOCUMENTS

D. 251,329	3/1979	Collesano	D3/30
D. 272,970	3/1984	Hasegawa et al.	D6/96
D. 273,063	3/1984	Gatward	D6/96
D. 278,005	3/1985	Wolff	D6/518
D. 306,462	3/1990	Miles et al.	D19/86
D. 312,369	11/1990	De Luca et al.	D6/518
D. 339,491	9/1993	Addison et al.	D6/518
D. 341,046	11/1993	Clark et al.	D6/518
5,305,881	4/1994	Caldwell et al.	206/494

1 Claim, 5 Drawing Sheets



372,153

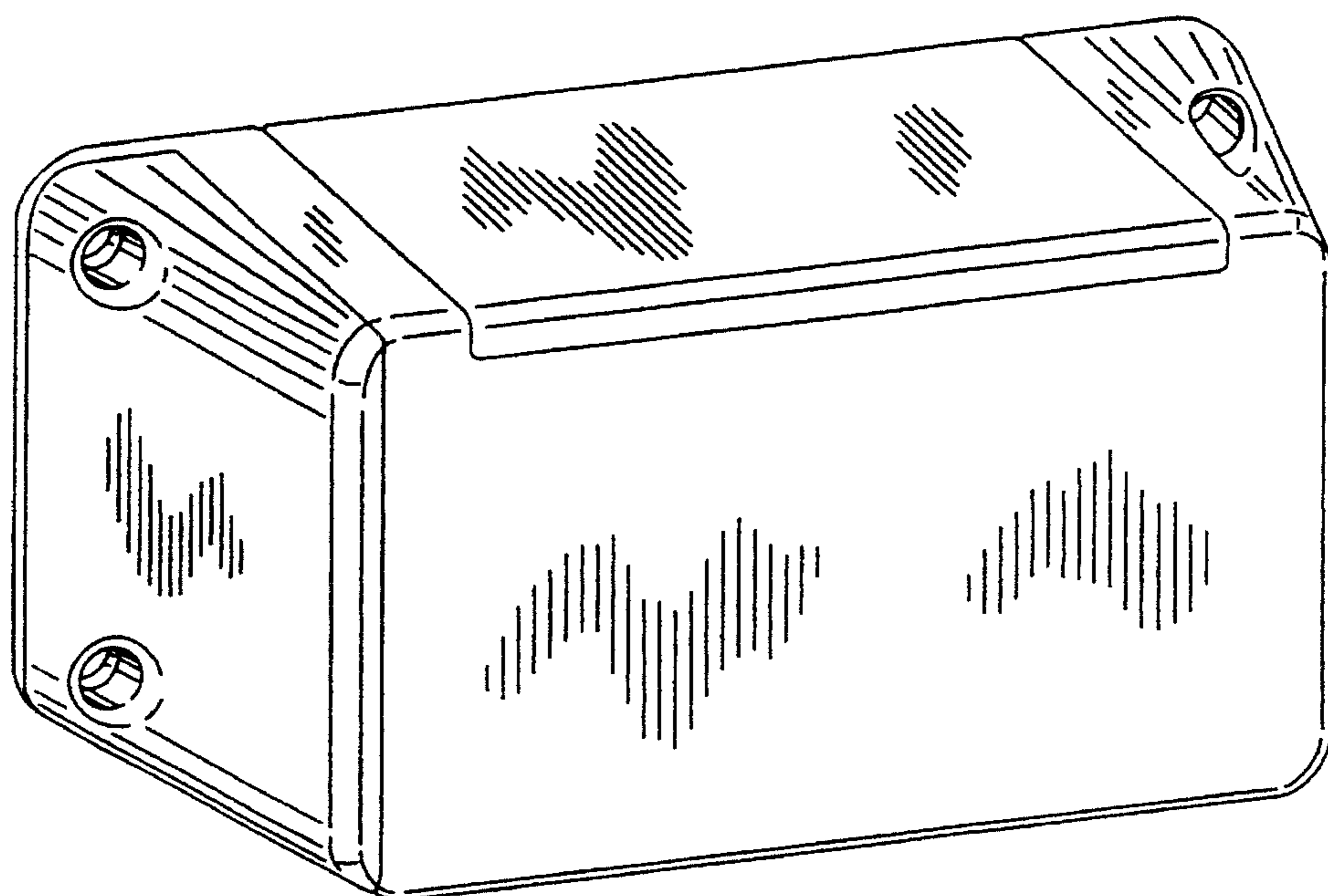


Fig. 1

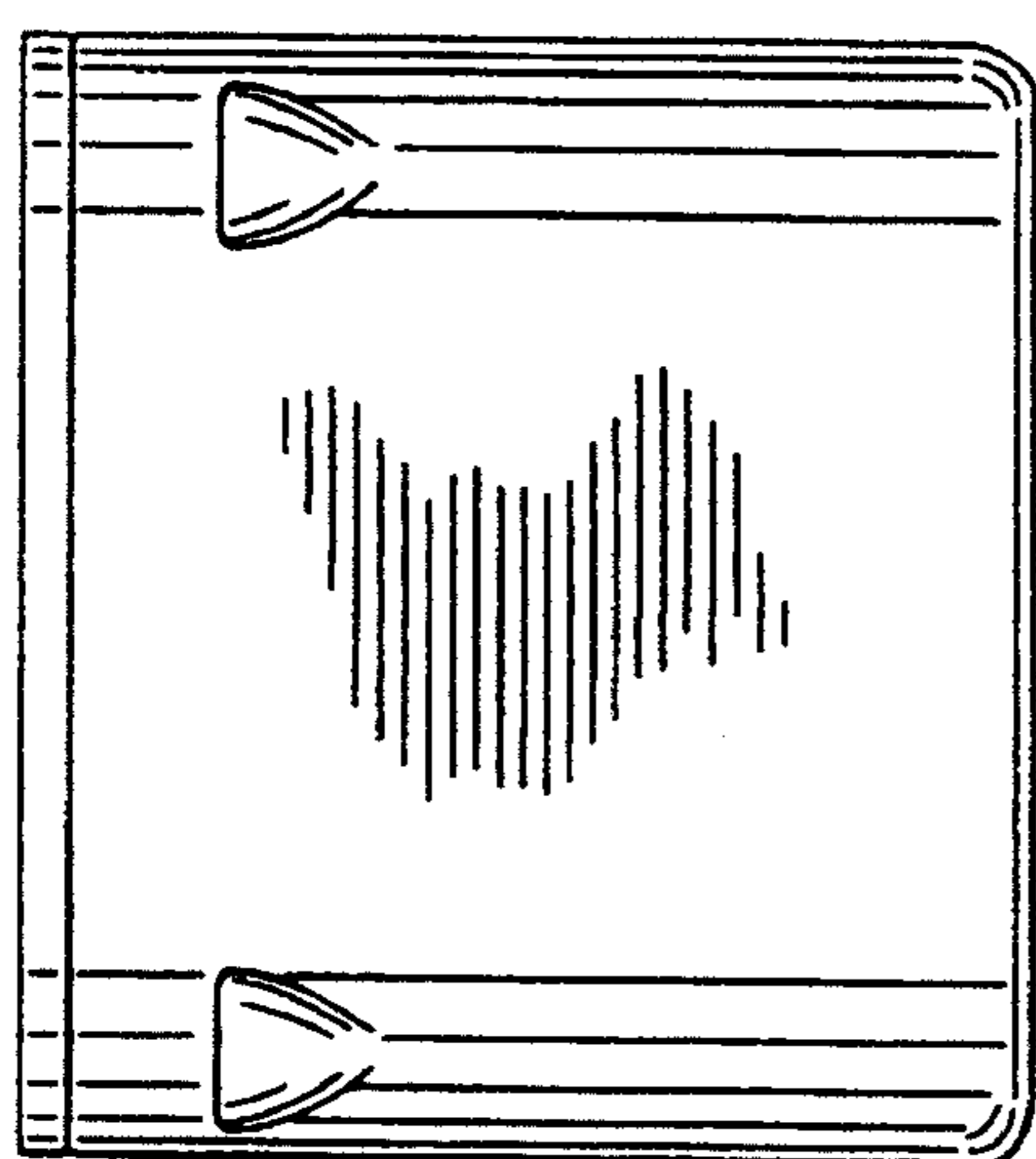


Fig. 2

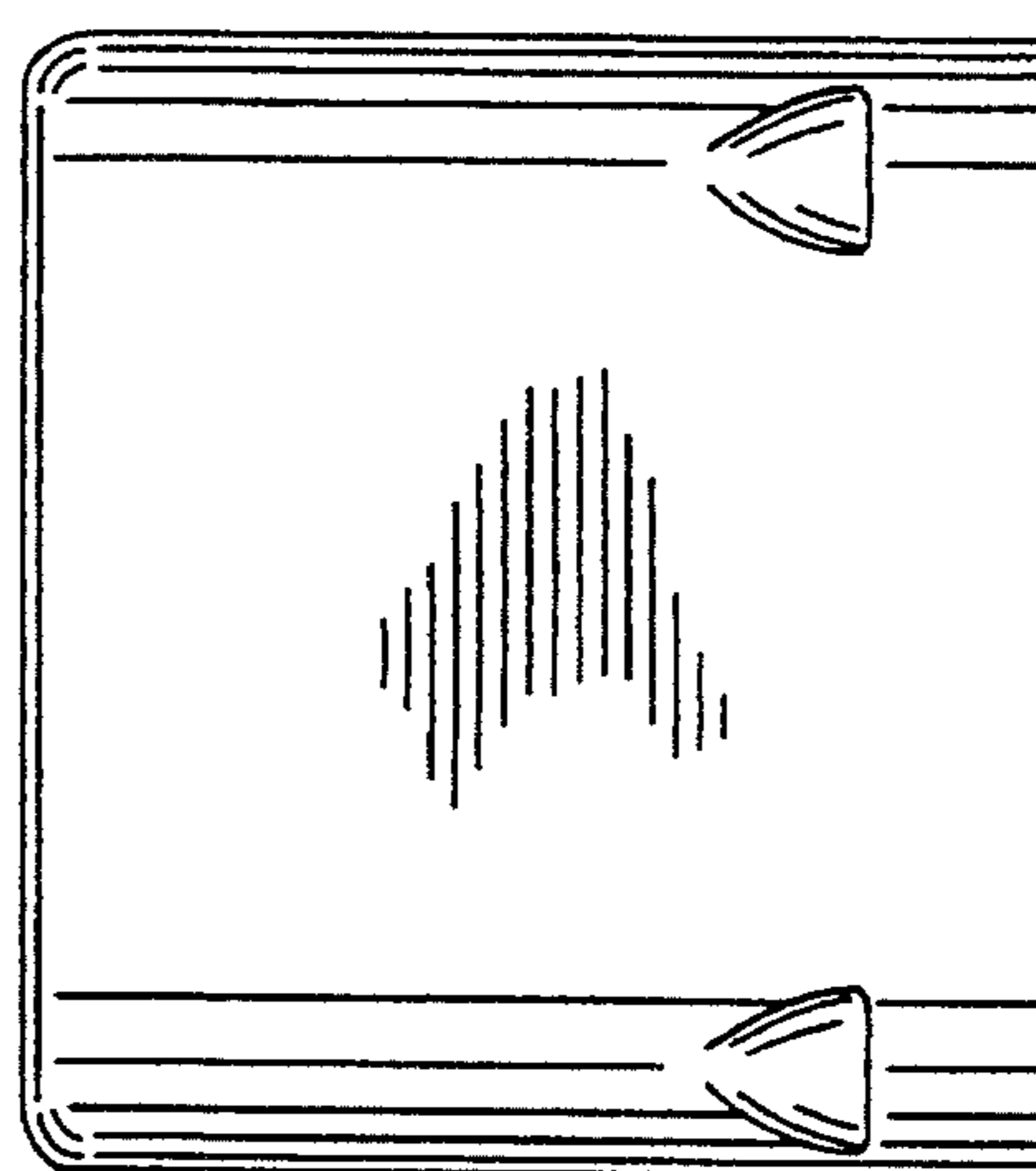


Fig. 3

11

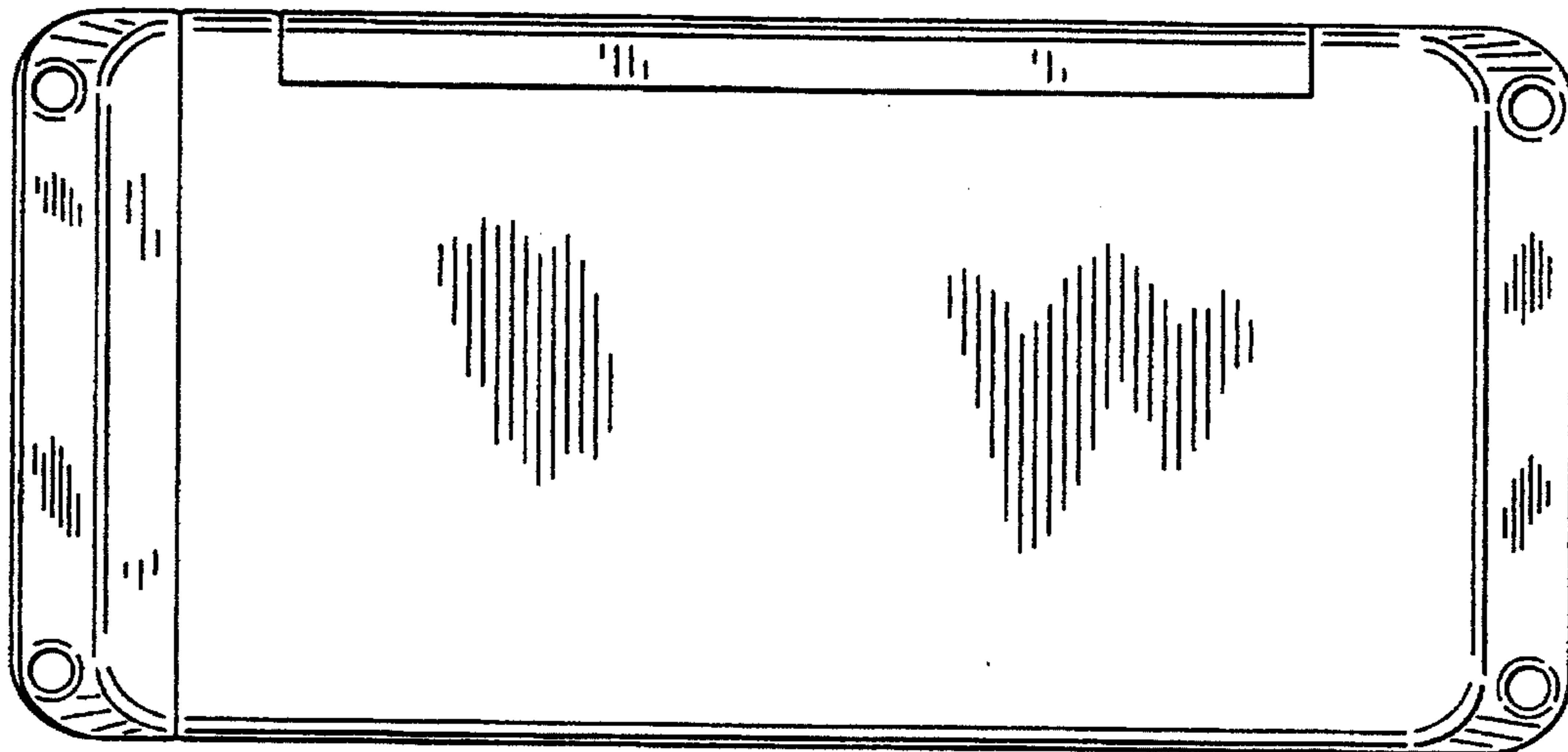


Fig. 4

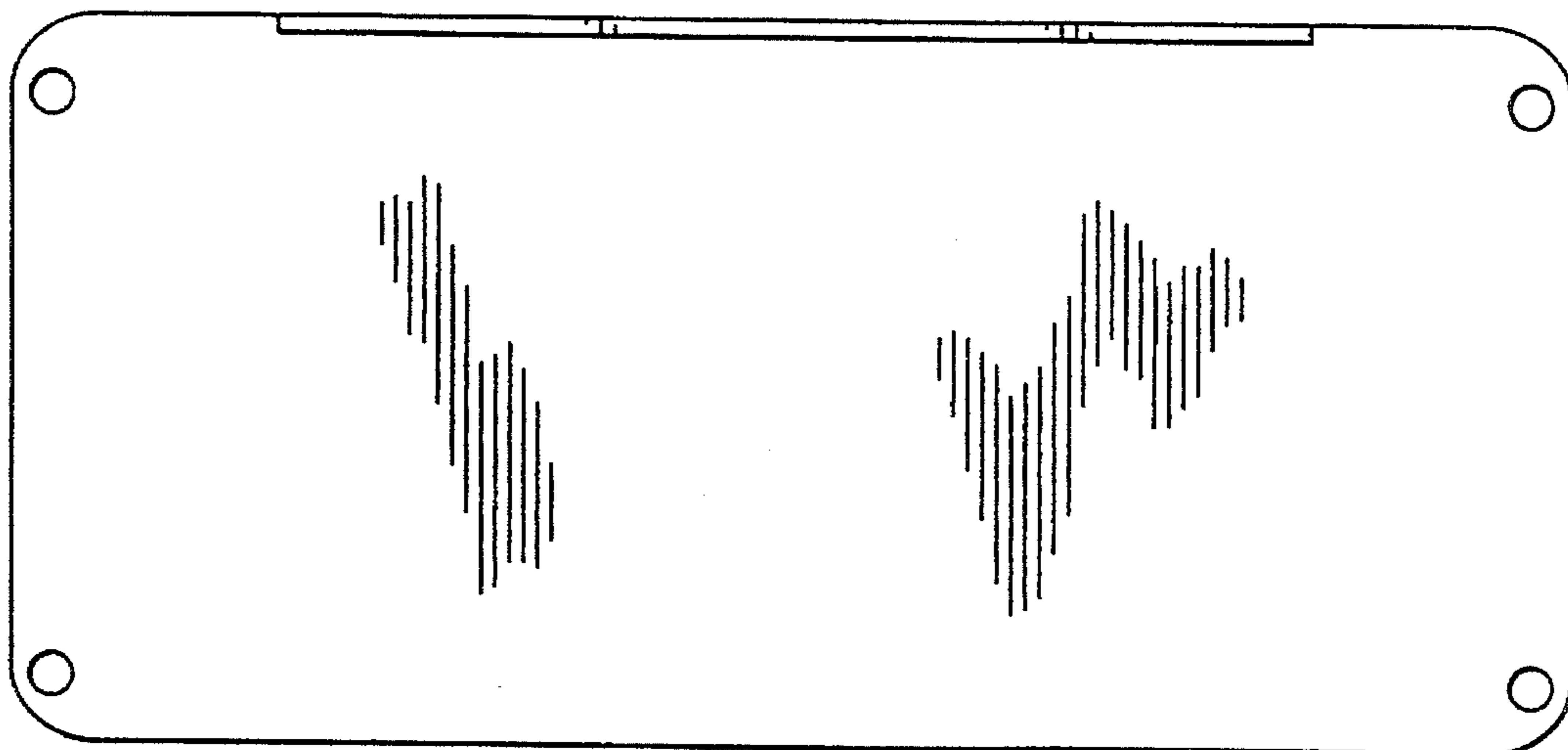


Fig. 5

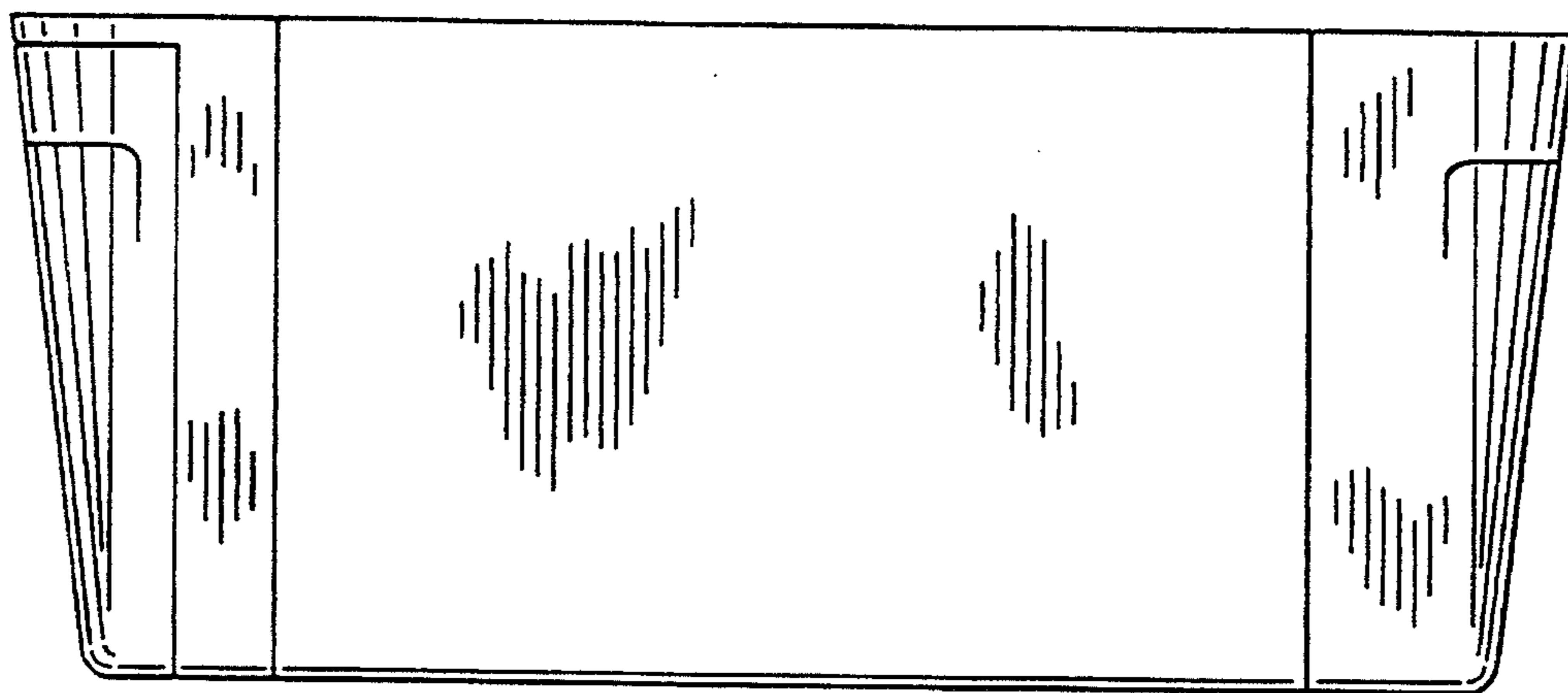


Fig. 6

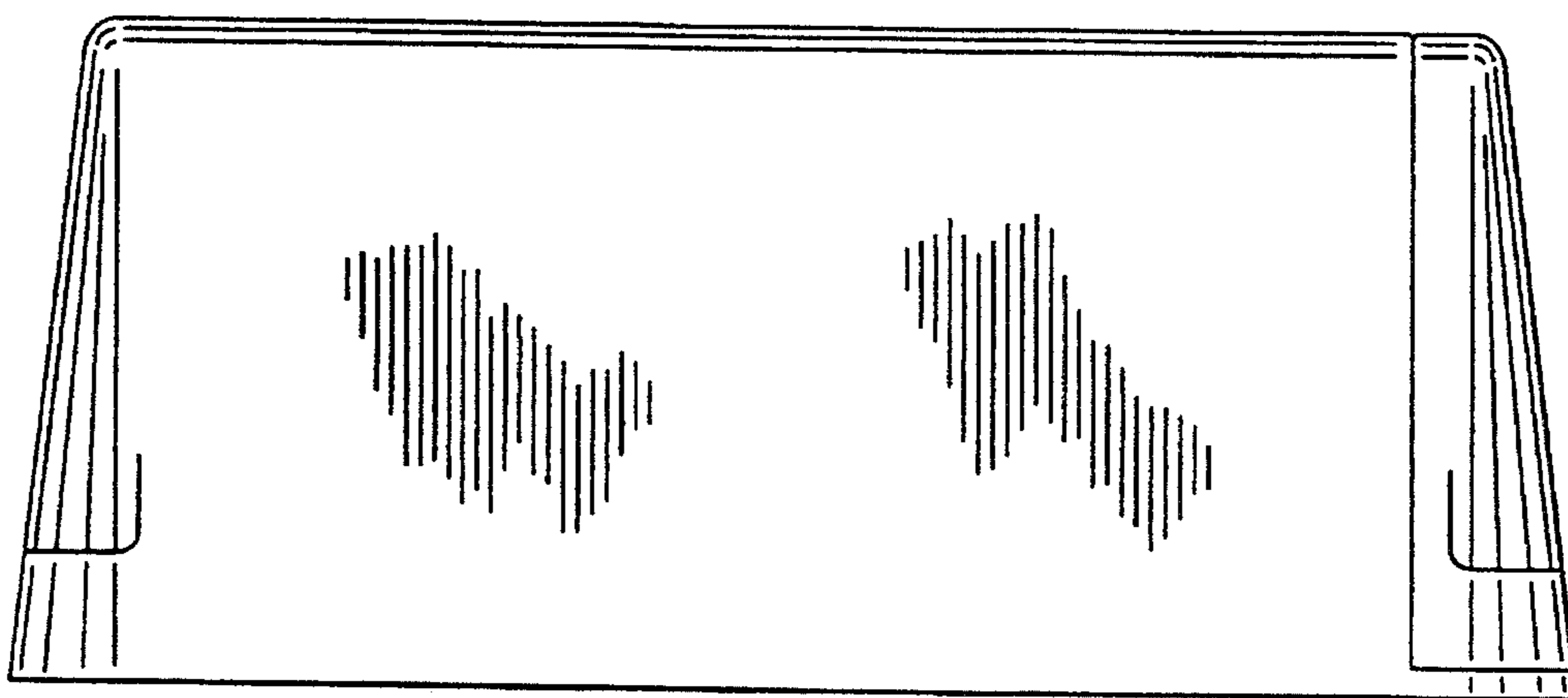


Fig. 7

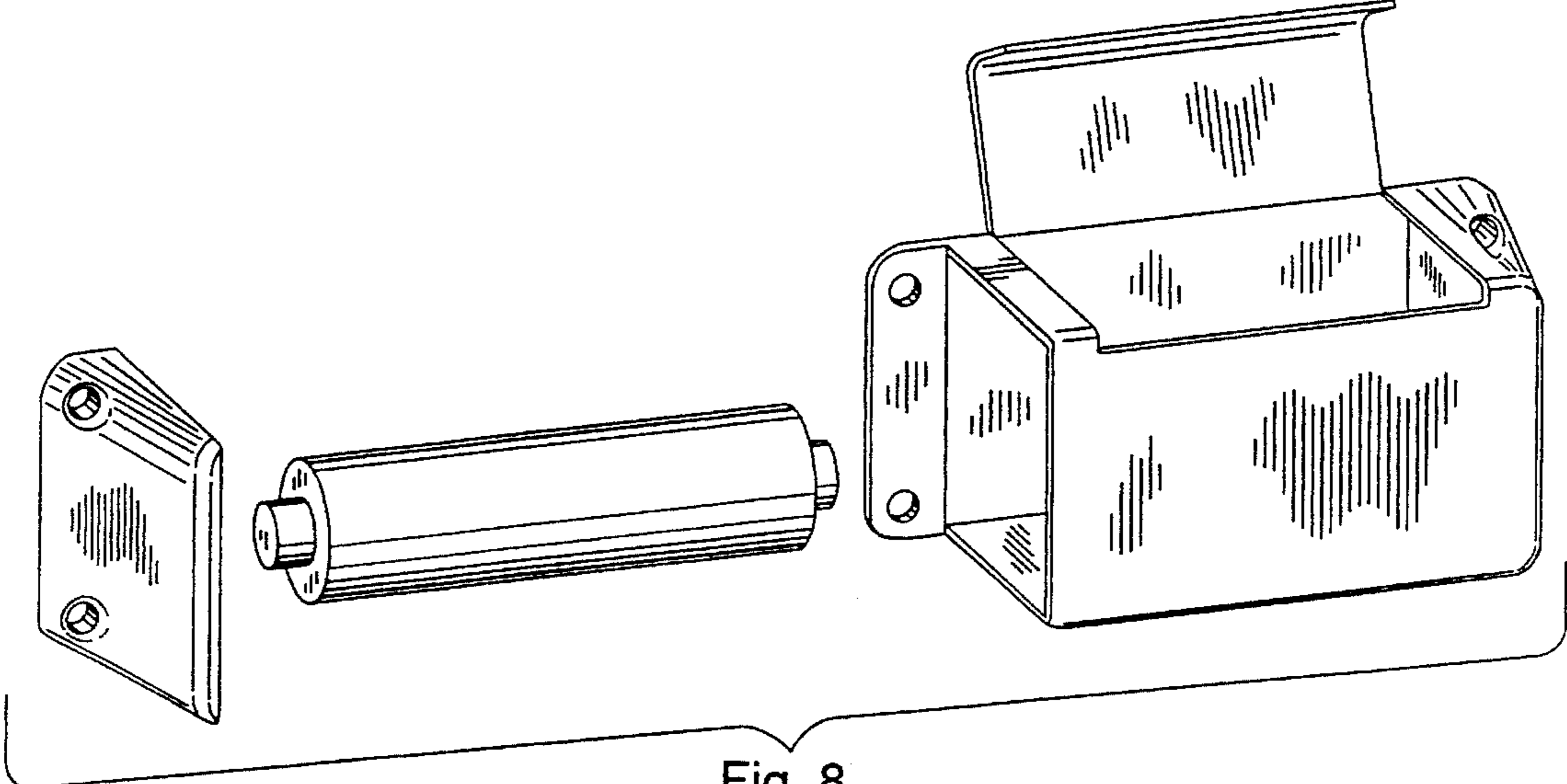


Fig. 8

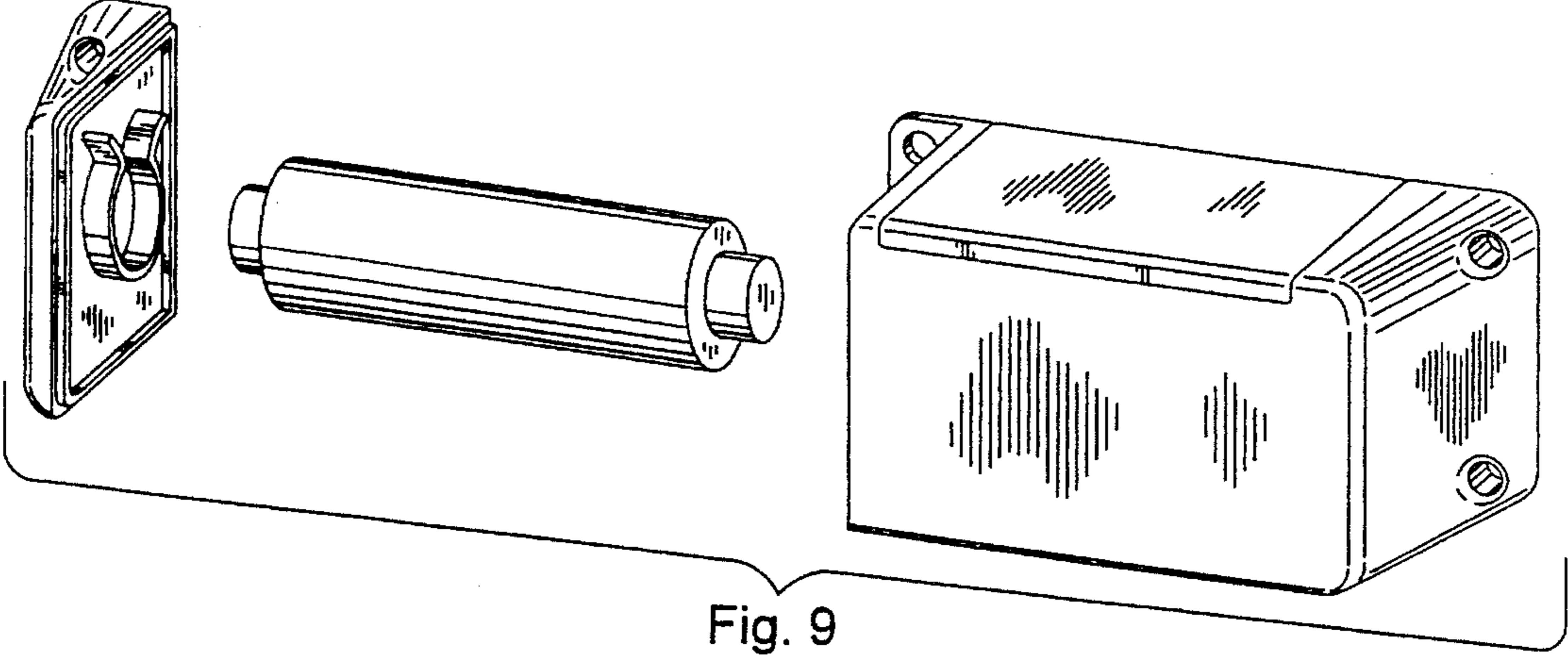


Fig. 9

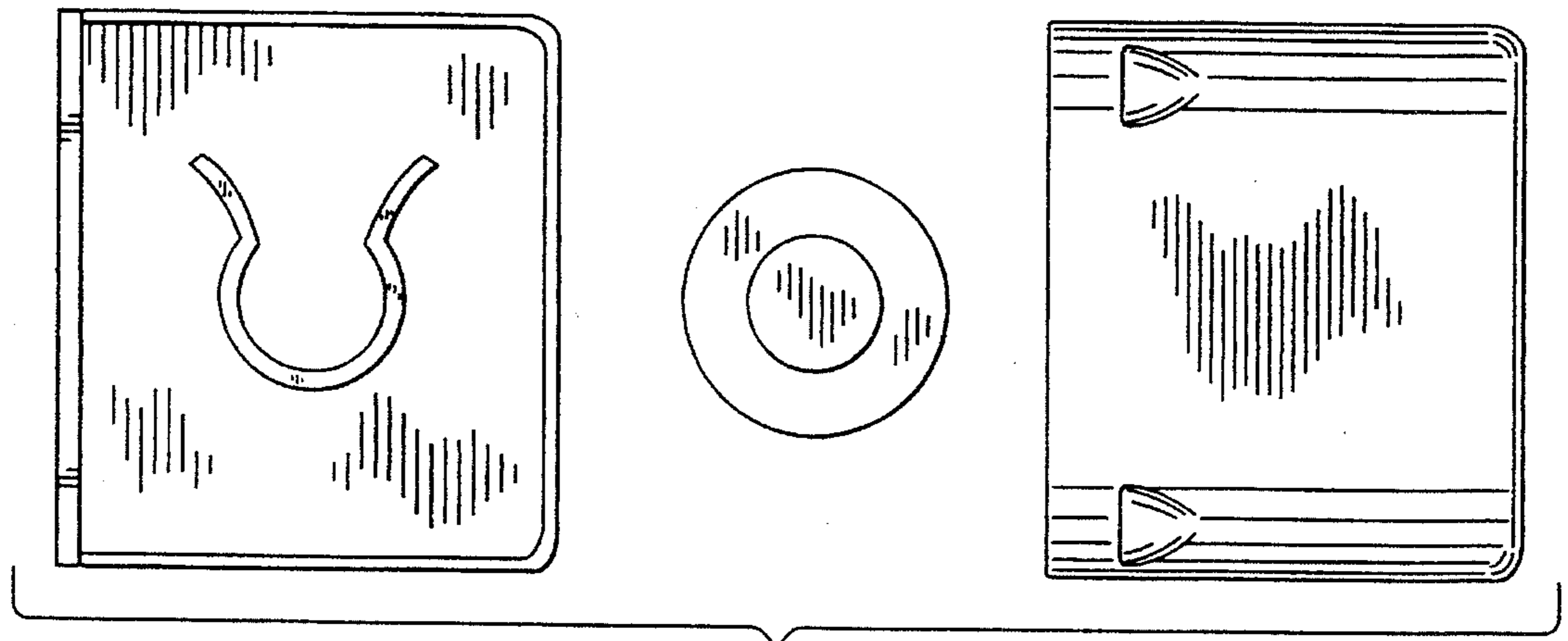


Fig. 10

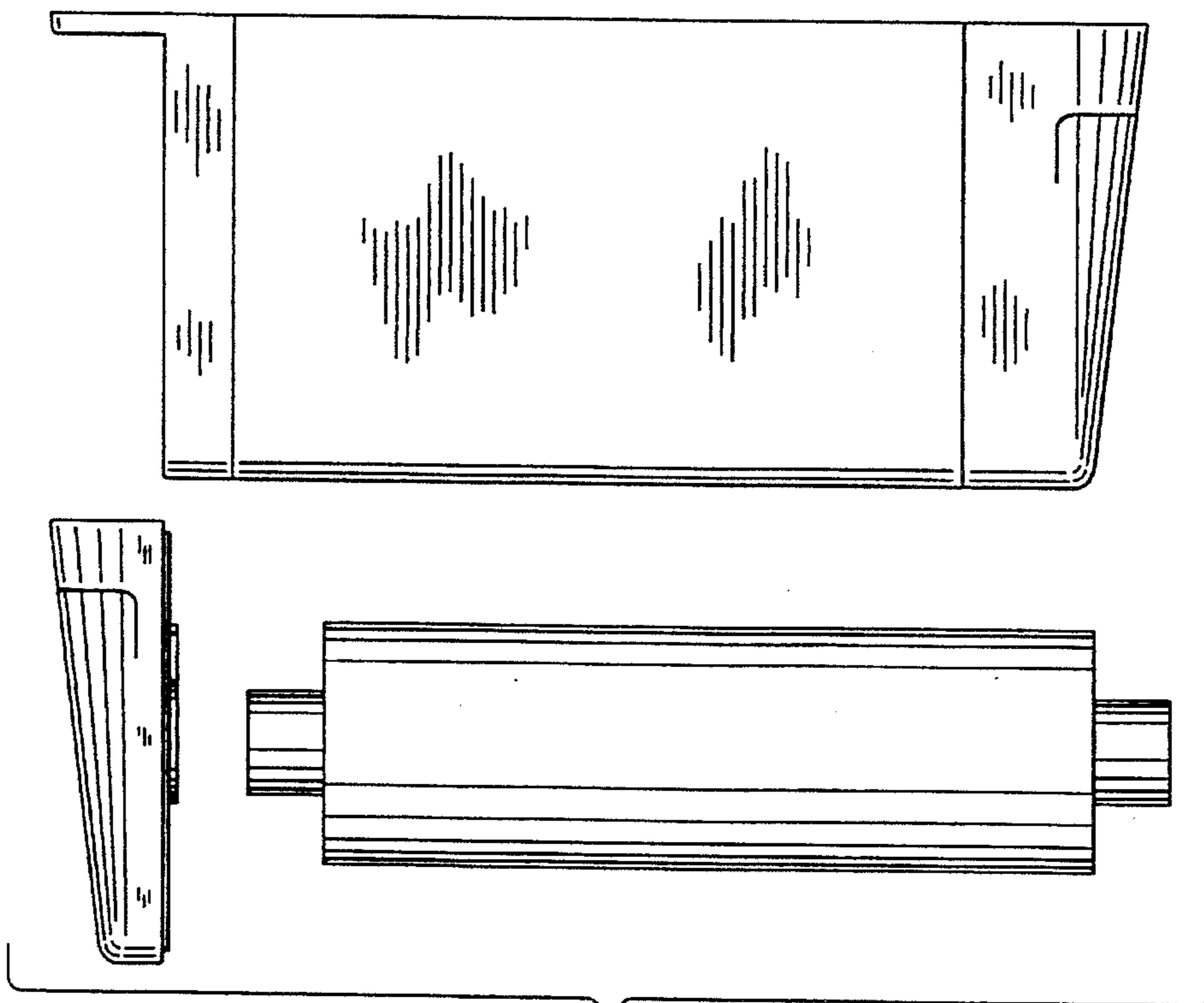


Fig. 11