



US00D372151S

United States Patent [19]
Yofan

[11] **Patent Number: Des. 372,151**

[45] **Date of Patent: **Jul. 30, 1996**

[54] **TABLE STAND**

[75] Inventor: **Avi Yofan**, Tampa, Fla.
[73] Assignee: **Rooms to Go, Inc.**, Seefner, Fla.
[**] Term: **14 Years**

[21] Appl. No.: **37,418**
[22] Filed: **Apr. 12, 1995**
[52] U.S. Cl. **D6/487; D6/452; D6/453**
[58] **Field of Search** D6/480-489, 495,
D6/497, 452, 453; D21/162, 157; 108/150,
153, 161

[56] **References Cited**

U.S. PATENT DOCUMENTS

| | | | | |
|------------|---------|-------------------|-------|---------|
| D. 298,497 | 11/1988 | Bigelow | | D6/495 |
| D. 304,396 | 11/1989 | Pitchersky et al. | | D6/451 |
| D. 305,390 | 1/1990 | Pitchersky et al. | | D6/451 |
| D. 314,479 | 2/1991 | Kubryk | | D6/486 |
| D. 341,867 | 11/1993 | Muiccio | | D21/157 |
| D. 346,080 | 4/1994 | Weis | | D6/452 |

OTHER PUBLICATIONS

Progressive, ©1991, #2388-01, table at top left.

Primary Examiner—Janice E. Seeger
Attorney, Agent, or Firm—Rudnick & Wolfe

[57] **CLAIM**

The ornamental design for a table stand, as shown and described.

DESCRIPTION

FIG. 1 is a perspective view of a table stand, showing my new design; the broken lines are for environmental purposes only and form no part of the claimed design; FIG. 2 is a front elevational view; FIG. 3 is a right side elevational view; FIG. 4 is a rear elevational view; FIG. 5 is a left side elevational view; FIG. 6 is a top plan view; and, FIG. 7 is a bottom plan view thereof.

1 Claim, 4 Drawing Sheets

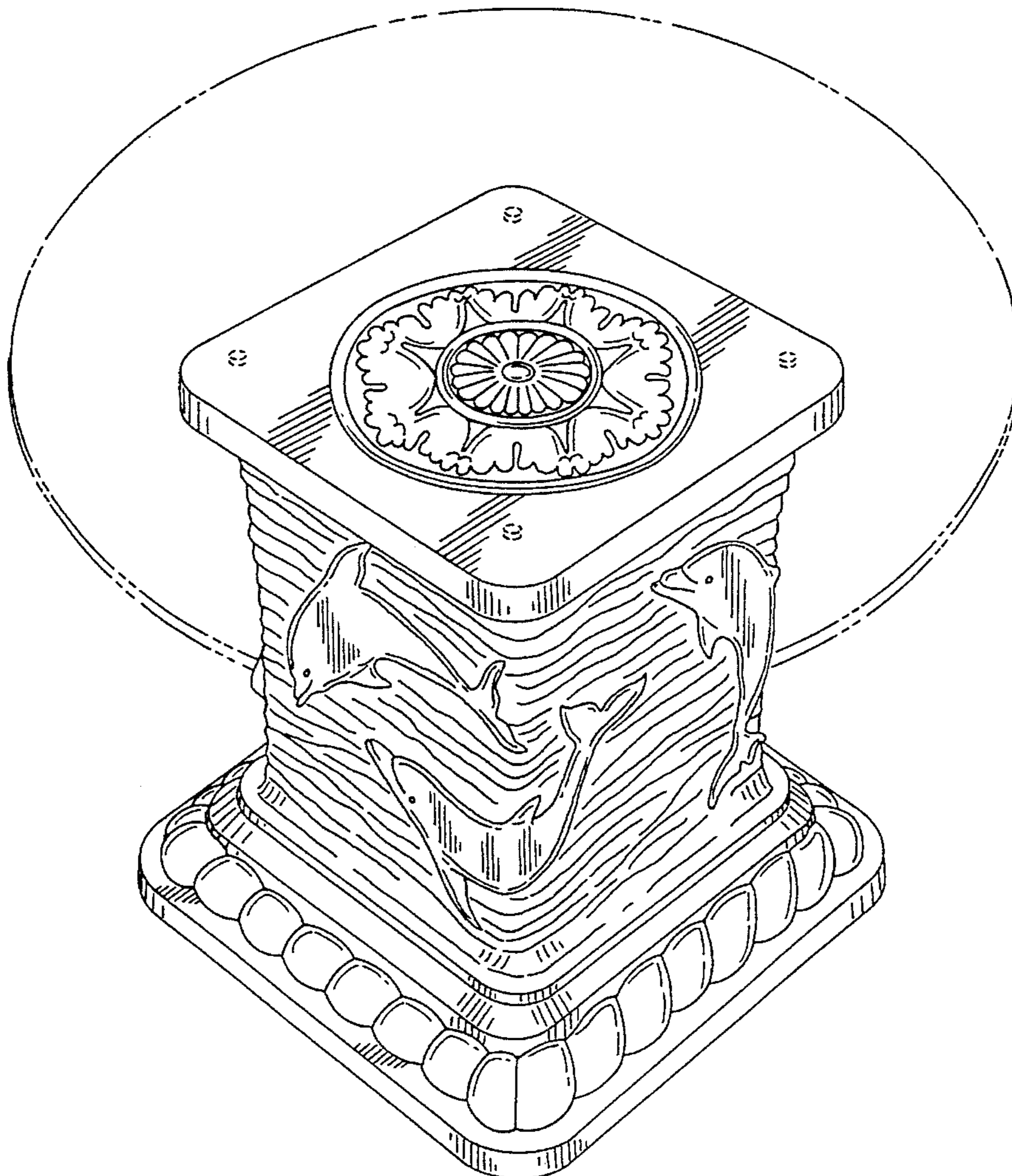


FIG. 1

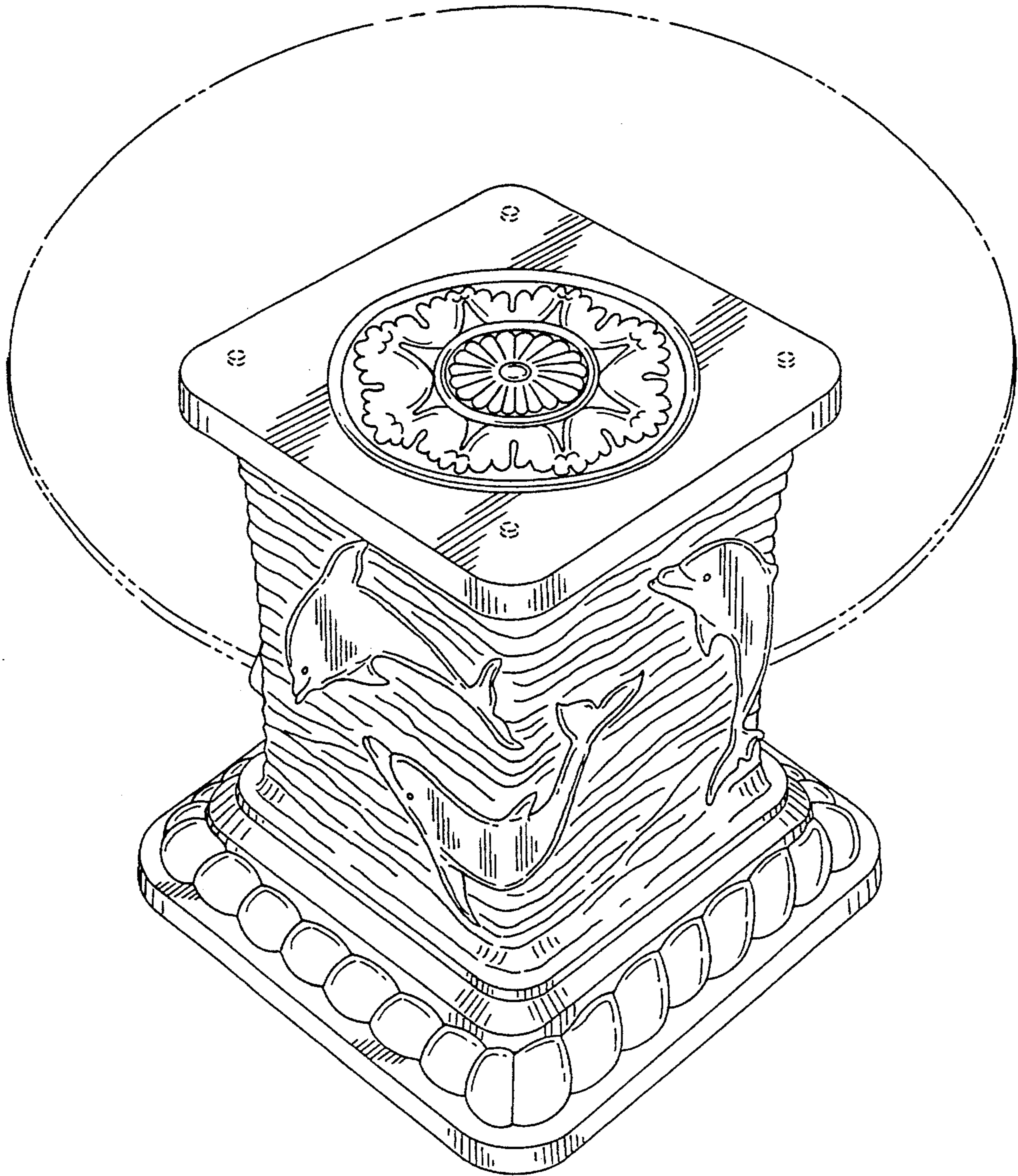


FIG. 3

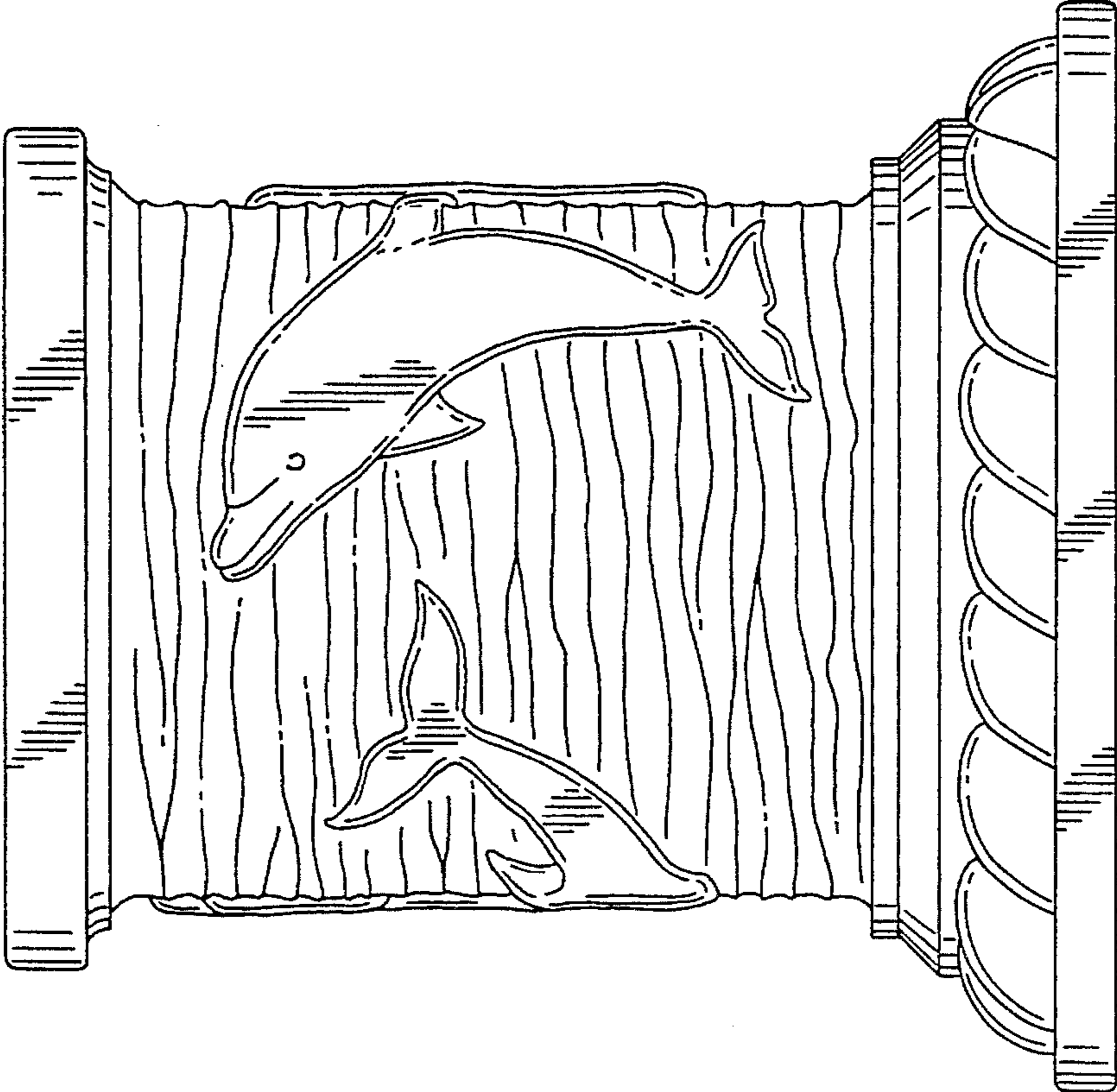


FIG. 2

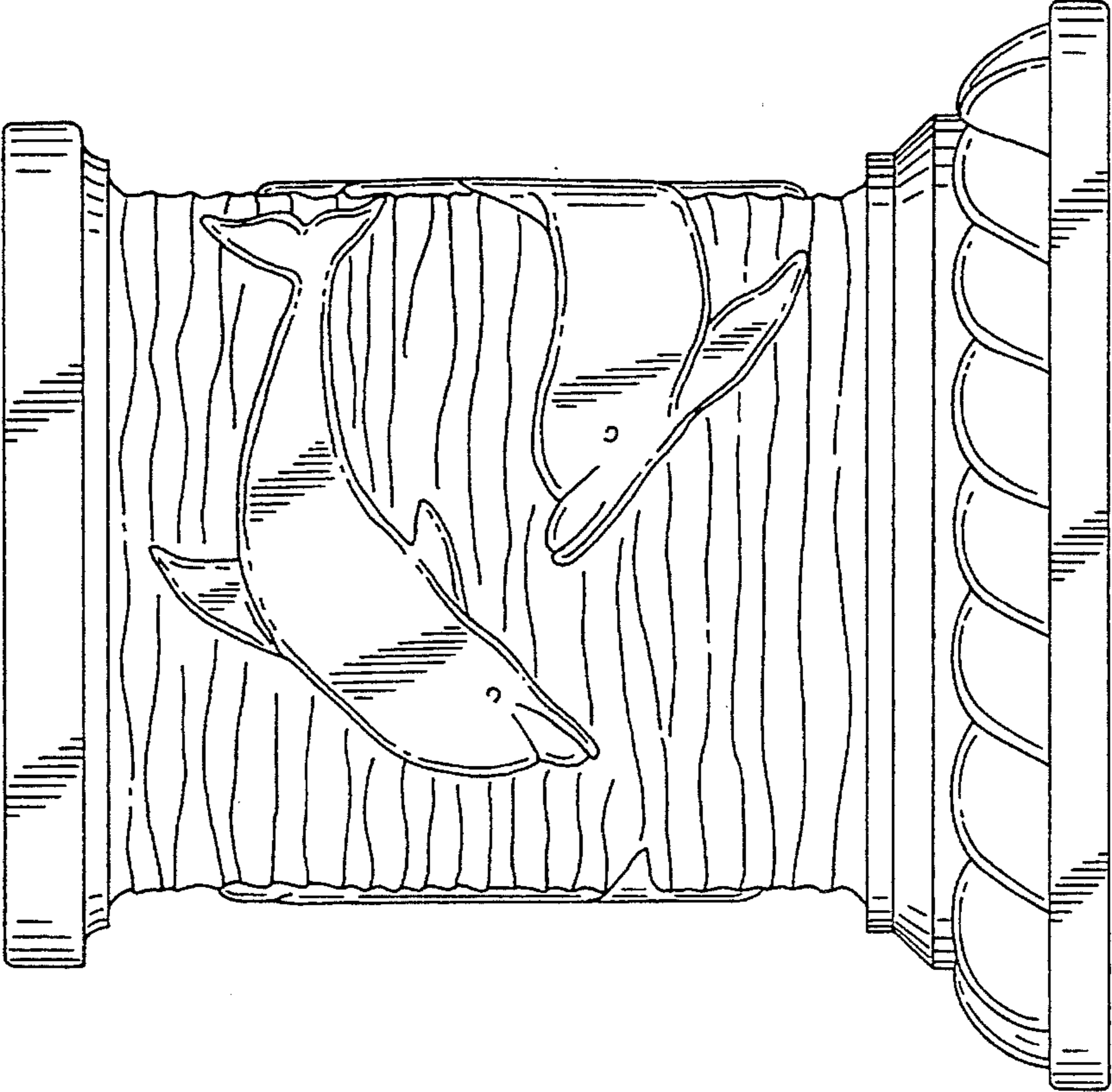


FIG. 5

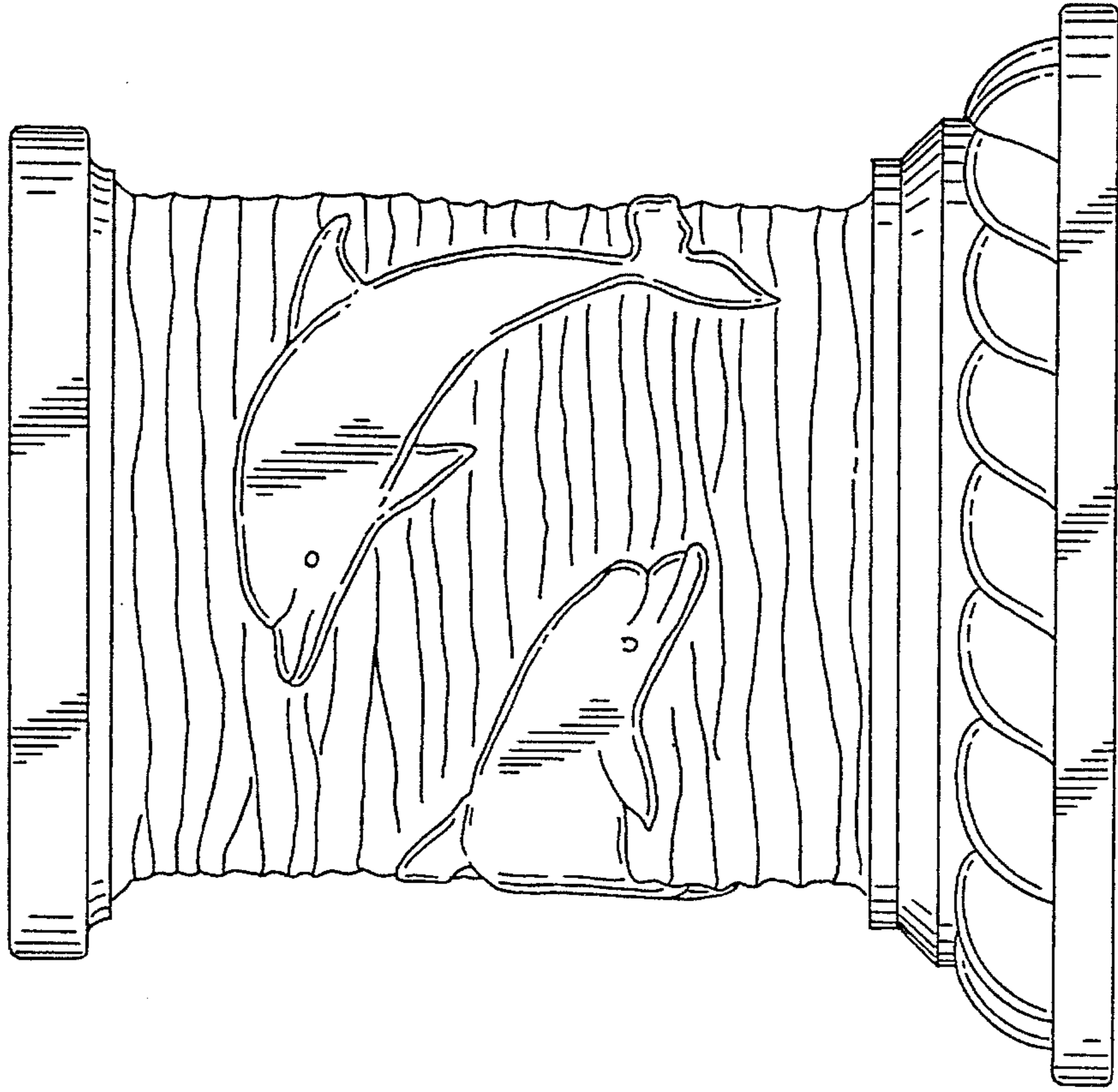


FIG. 4

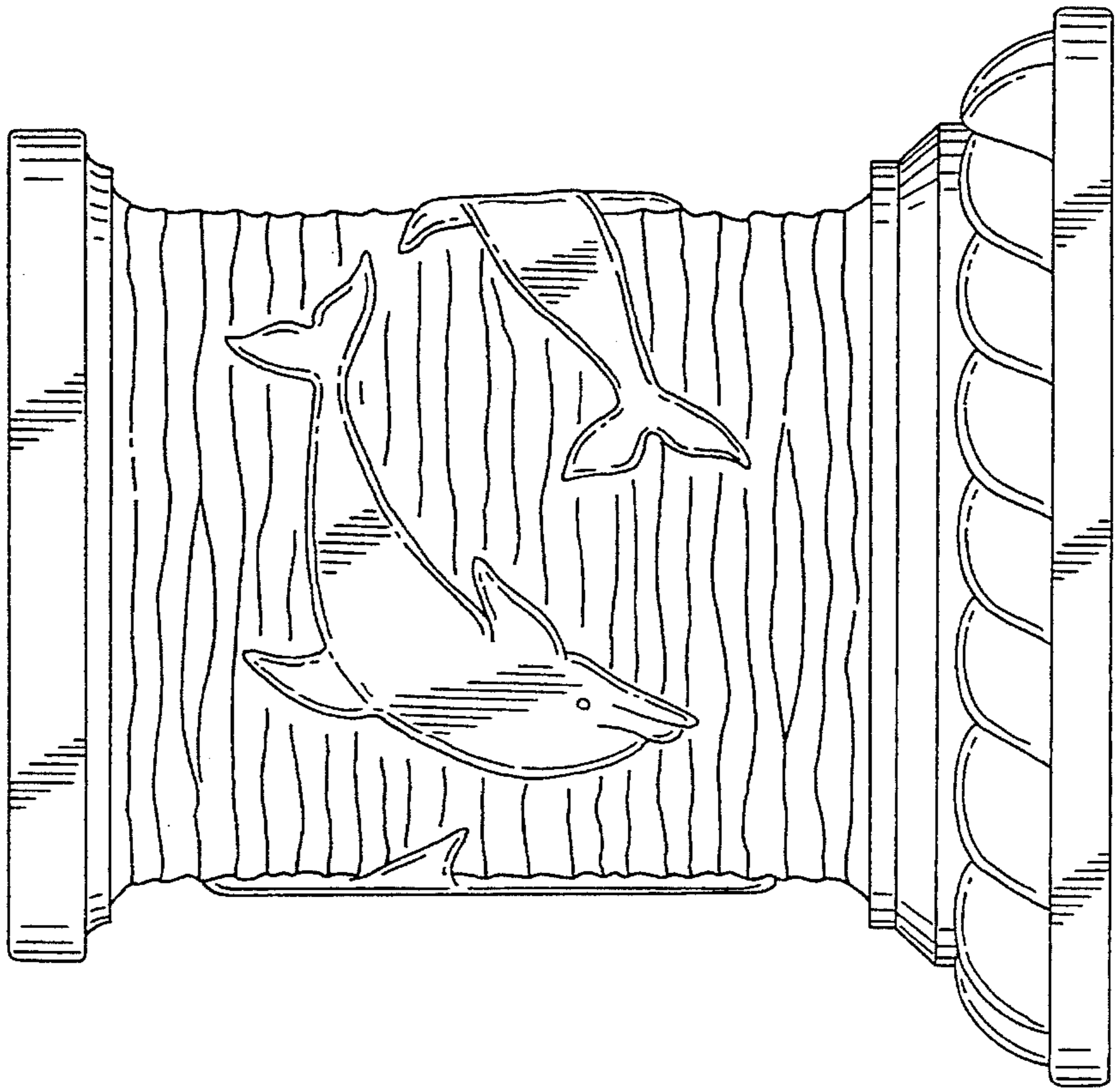


FIG. 6

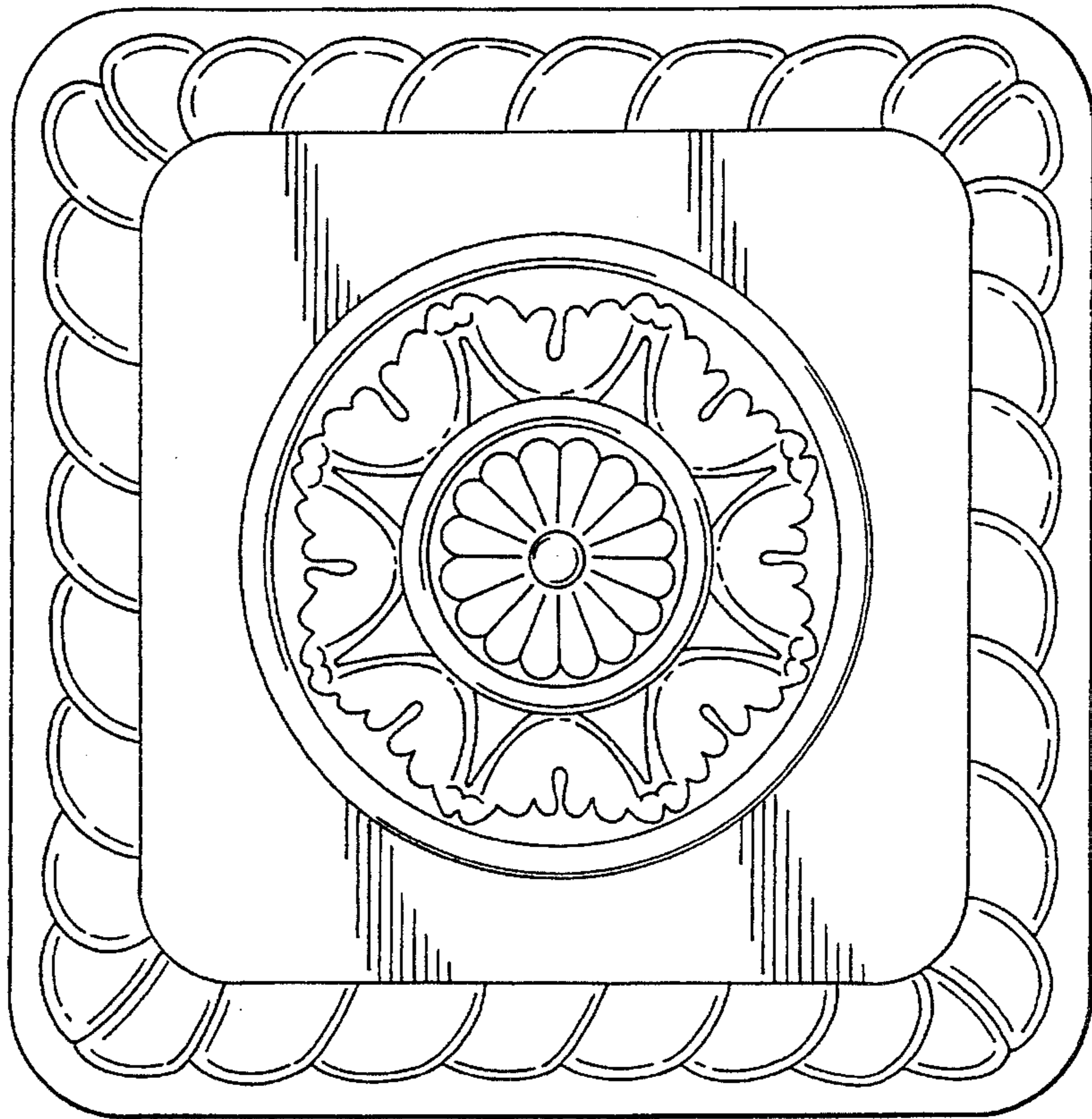


FIG. 7

