



US00D372141S

United States Patent [19] Selby

[11] Patent Number: **Des. 372,141**

[45] Date of Patent: ****Jul. 30, 1996**

[54] **CARRIER RACK**

[76] Inventor: **Harold E. Selby**, 5 S. 5th St.,
Marshalltown, Iowa 50158

[**] Term: **14 Years**

[21] Appl. No.: **38,834**

[22] Filed: **May 15, 1995**

[52] U.S. Cl. **D6/465**; D3/315; D6/462

[58] Field of Search D6/462-468, 429-431,
D6/409-411; D3/315, 260; D22/147; D21/223;
D19/83-85; 211/60.1, 70.8, 70.2, 198, 195,
208, 175, 182, 71; 294/143, 159, 161; 224/922;
248/97, 99

[56] **References Cited**

U.S. PATENT DOCUMENTS

D. 155,792	11/1949	Ferris	D6/468
D. 195,262	5/1963	Crawford	D6/467
D. 250,303	11/1978	Haber	D6/468
D. 269,751	7/1983	Rieman	D6/467
D. 272,944	3/1984	Coughlin	D6/463
D. 278,490	4/1985	Stevens	D6/462
D. 324,541	3/1992	Dudley	D3/315 X
D. 337,007	7/1993	Hanson	D6/462
D. 341,730	11/1993	Sampson et al.	D6/468 X
D. 364,516	11/1995	Helenowski	D6/462
2,987,109	6/1961	Sohmer	294/143
2,990,865	7/1961	Steele	211/70.2

3,094,216	6/1963	Gordon	D6/410 X
3,215,181	11/1965	Reed	294/159 X
4,036,416	7/1977	Lowe	211/70.2
4,684,091	8/1987	Moreschi	211/182 X
4,691,832	9/1987	Steiger	211/71
4,696,122	9/1987	van der Zyl	294/143 X
4,779,914	10/1988	Friedline	211/70.8 X
5,005,847	4/1991	King et al.	D3/315 X
5,096,072	3/1972	Link	211/195 X

OTHER PUBLICATIONS

Sears Boating, p. 23 Item 10.
Making Plastic Pipe Furniture, night table and coffee table.

Primary Examiner—Jeffrey Asch

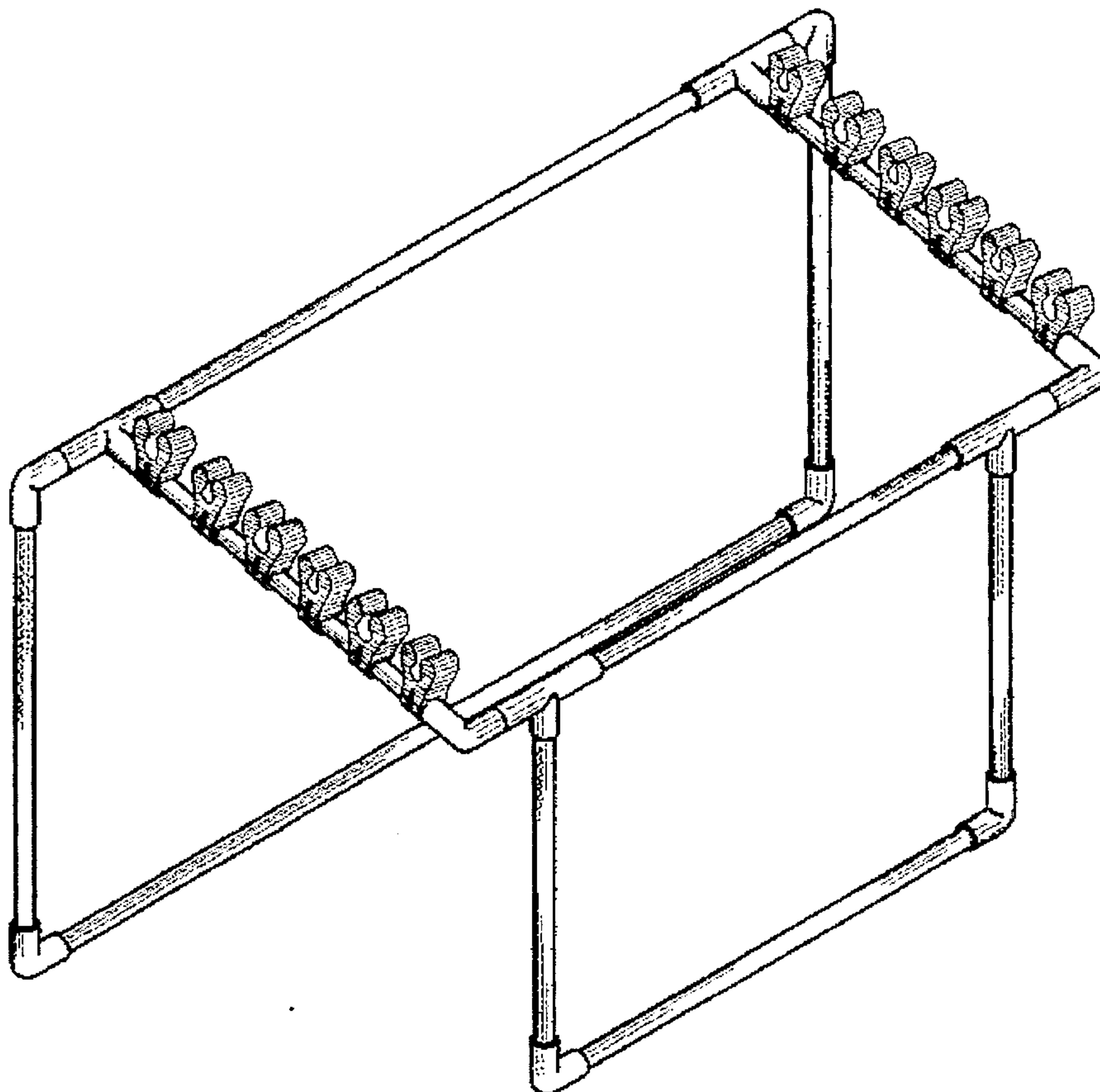
[57] CLAIM

The ornamental design of a carrier rack, as shown and described.

DESCRIPTION

FIG. 1 is a perspective view of the carrier rack showing my new design;
FIG. 2 is an end view thereof;
FIG. 3 is a rear view thereof;
FIG. 4 is a front view thereof;
FIG. 5 is a bottom view thereof;
FIG. 6 is a top view thereof; and,
FIG. 7 is a top view thereof with the legs folded together.

1 Claim, 3 Drawing Sheets



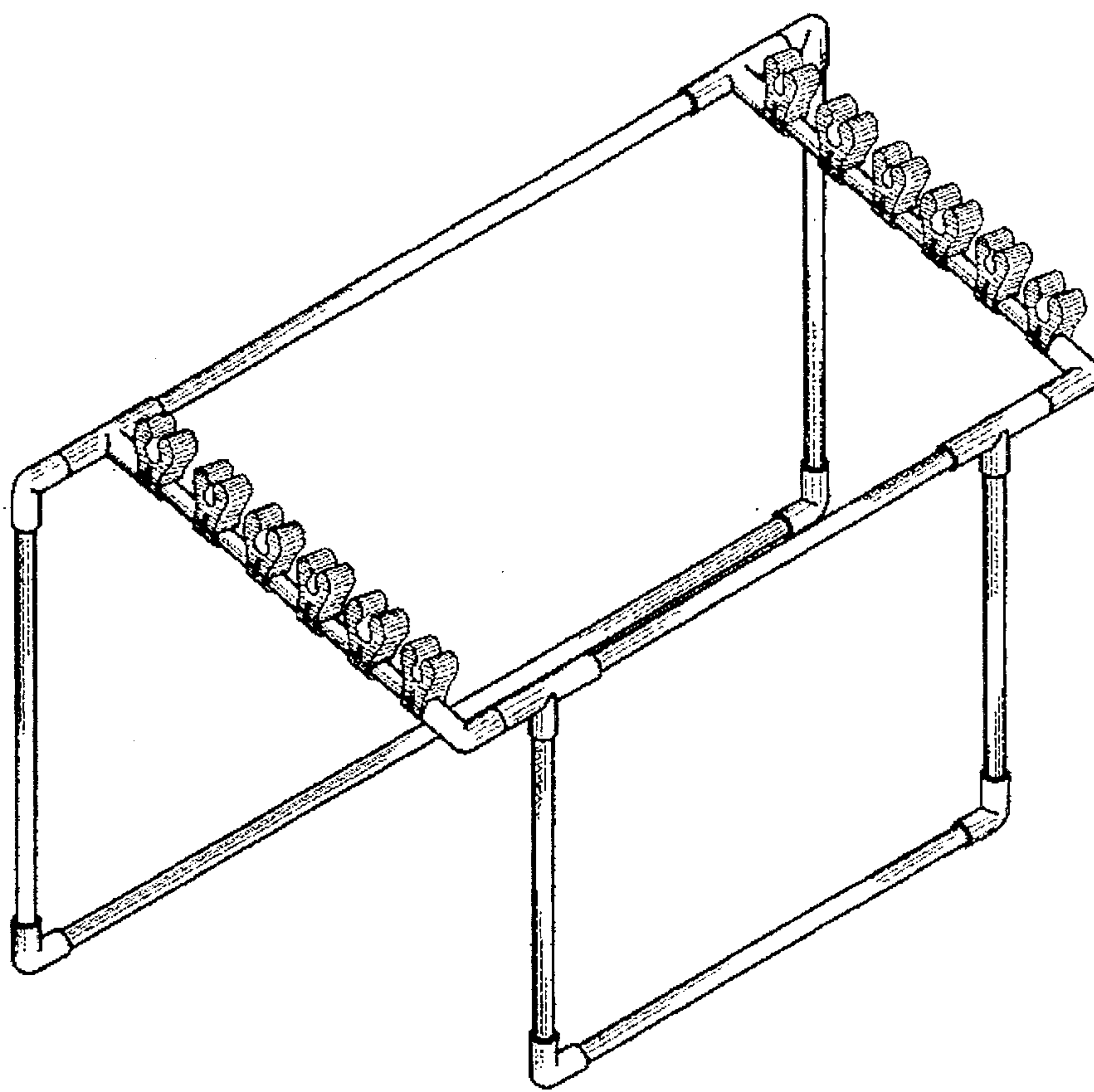


FIG. 1

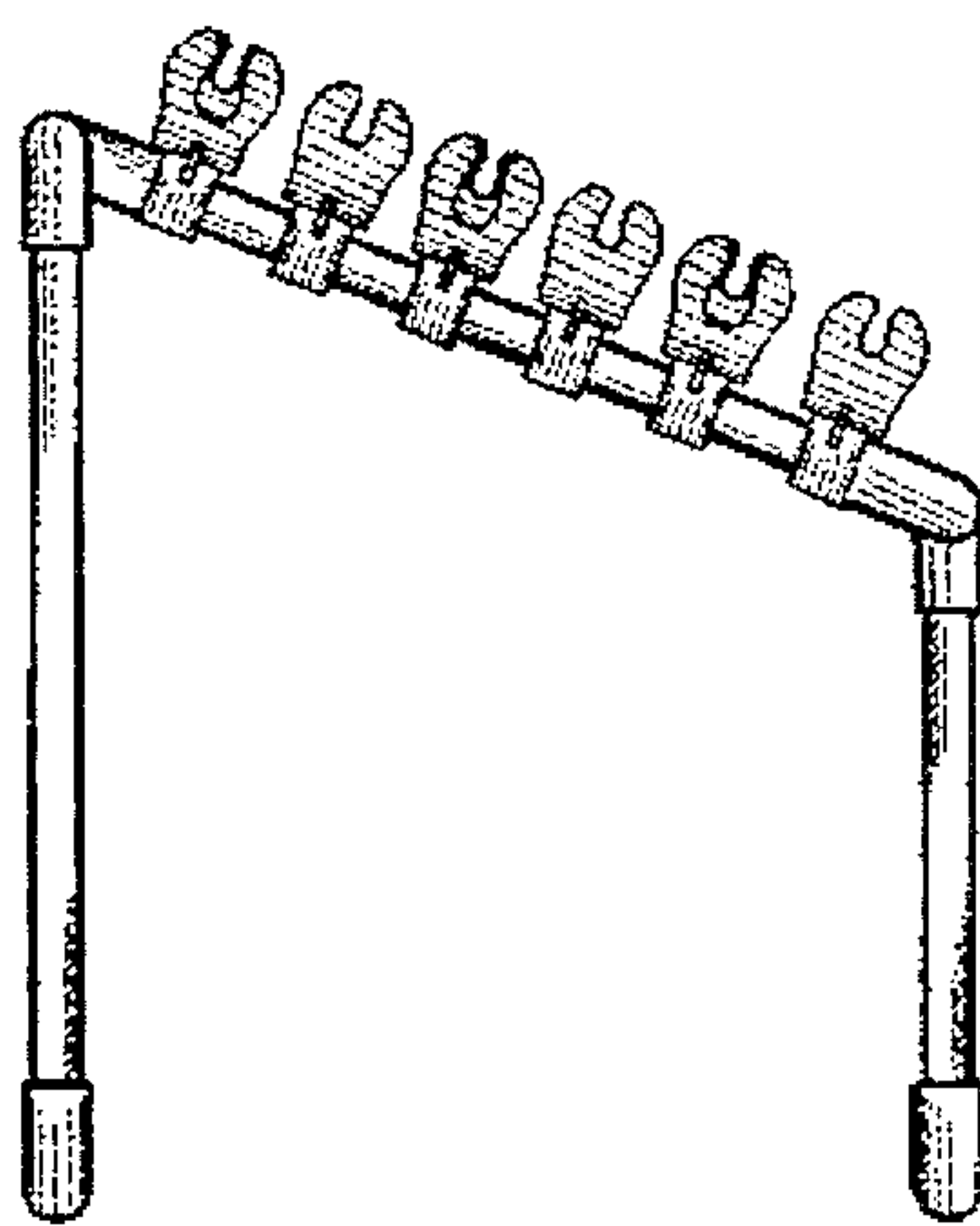


FIG. 2

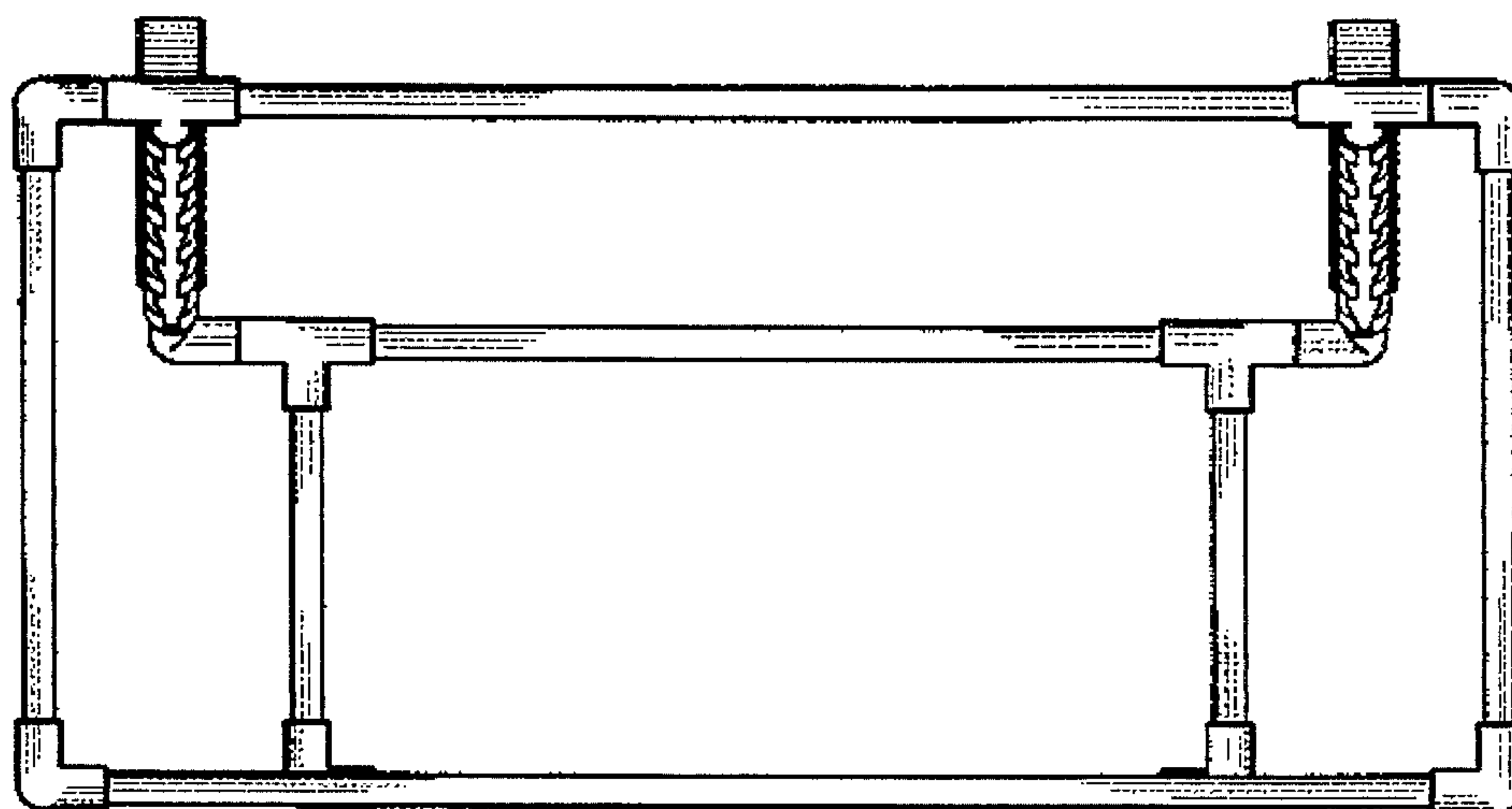


FIG. 3

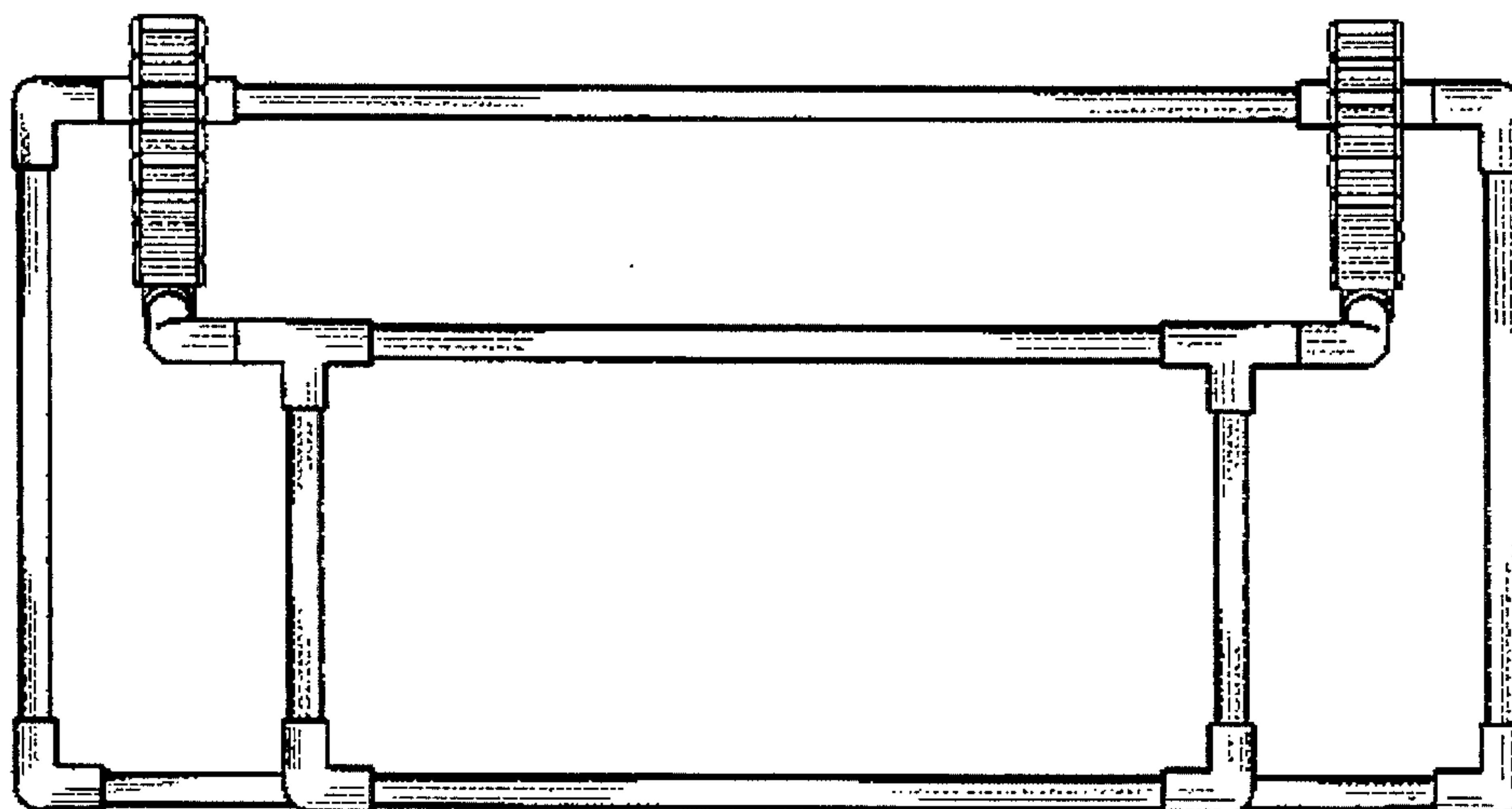


FIG. 4

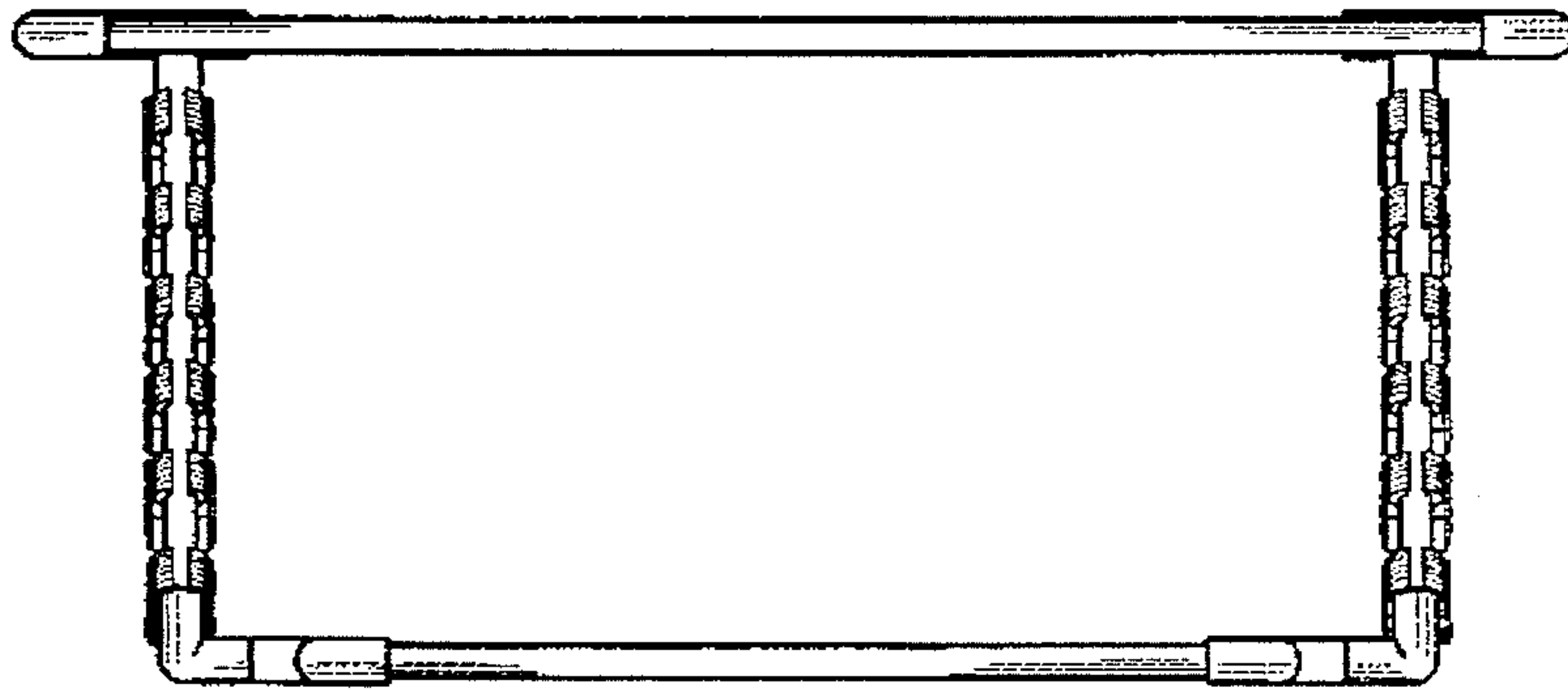


FIG. 5

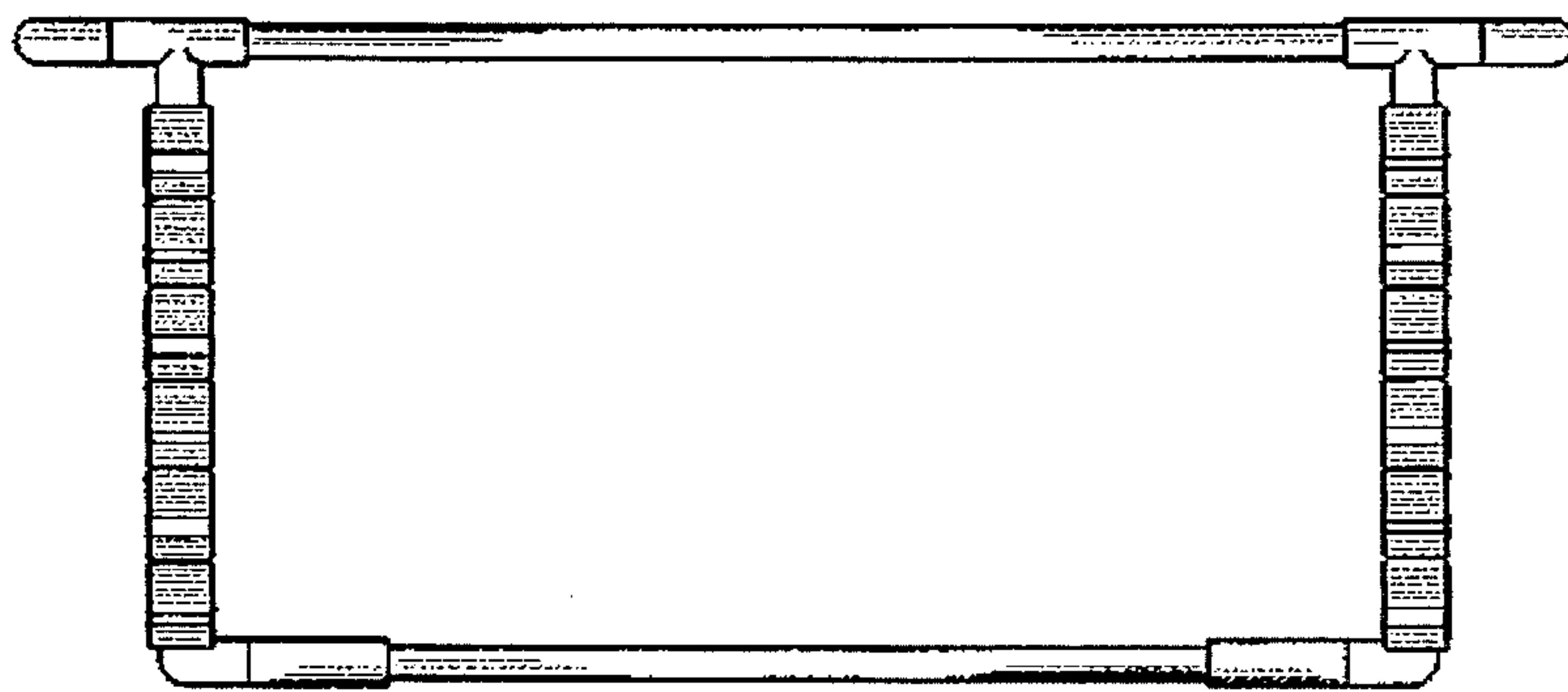


FIG. 6

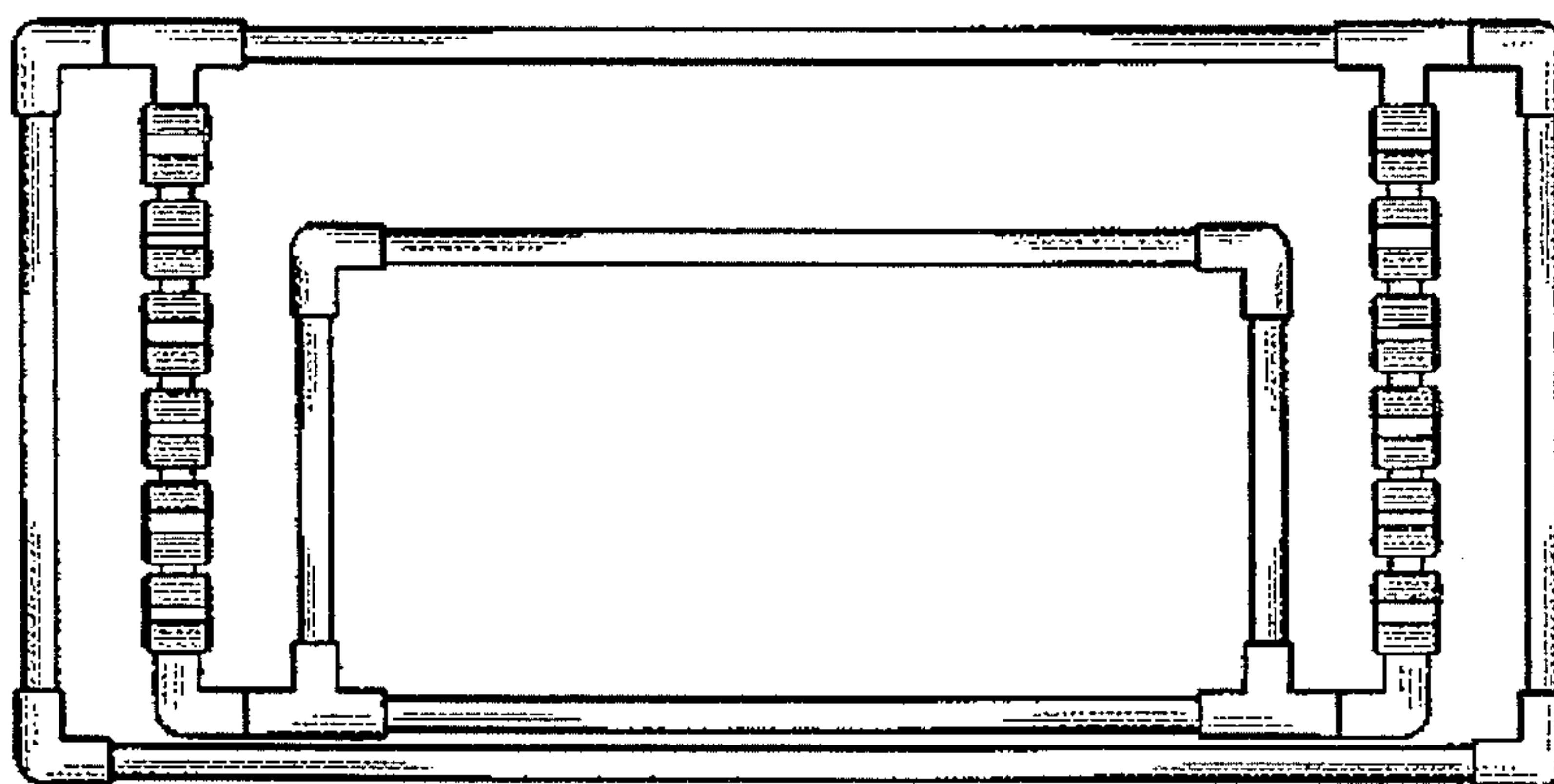


FIG. 7