



US00D372140S

# United States Patent [19]

[11] Patent Number: **Des. 372,140**

Hite

[45] Date of Patent: **\*\*Jul. 30, 1996**

[54] **BEACH CHAIR DISPLAY RACK**

D. 114,478 4/1939 Terker ..... D6/370  
D. 356,907 4/1995 Jernigan ..... D6/463

[76] Inventor: **Peter R. Hite**, 145 SW. 9th Ave.,  
Boynton Beach, Fla. 33435

*Primary Examiner*—James M. Gandy  
*Assistant Examiner*—S. Snapp

[\*\*] Term: **14 Years**

[57] **CLAIM**

[21] Appl. No.: **43,468**

The ornamental design for a beach chair display rack, as shown.

[22] Filed: **Sep. 5, 1995**

[52] U.S. Cl. .... **D6/450; D6/335**

[58] Field of Search ..... D6/449, 450, 370,  
D6/335, 473, 466, 463, 396; 211/13, 14,  
23, 24; 206/315.11; 297/188.01

### DESCRIPTION

FIG. 1 is a left side elevational view of the beach chair display rack showing my new design;  
FIG. 2 is a right side elevational view thereof;  
FIG. 3 is a rear elevational view thereof;  
FIG. 4 is a front elevational view thereof;  
FIG. 5 is a top plan view thereof; and,  
FIG. 6 is a bottom plan view thereof.

### [56] References Cited

#### U.S. PATENT DOCUMENTS

D. 84,585 7/1931 Ledder et al. .... D6/370  
D. 84,602 7/1931 Seidel ..... D6/370  
D. 89,908 5/1933 McGarry ..... D6/463

**1 Claim, 3 Drawing Sheets**

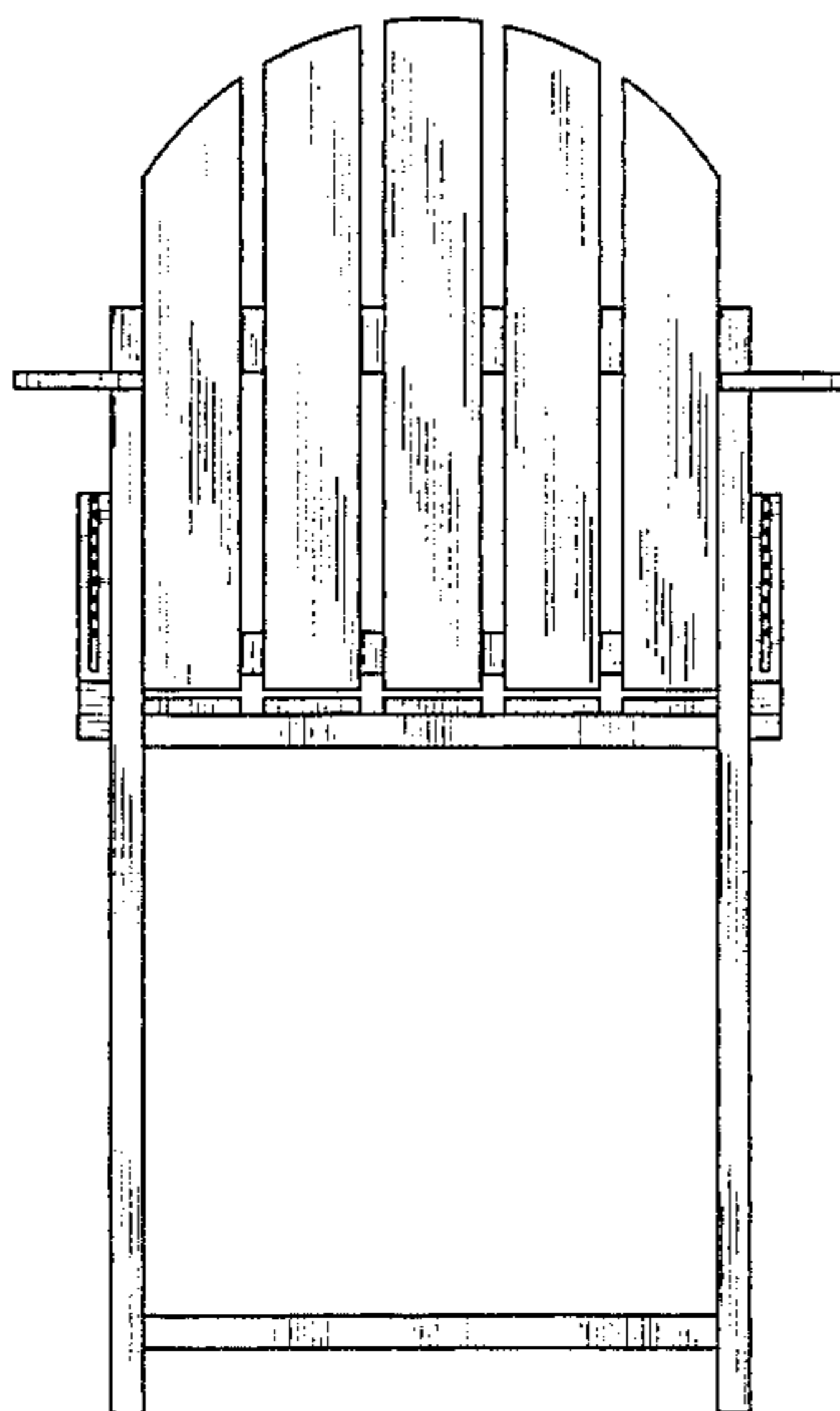
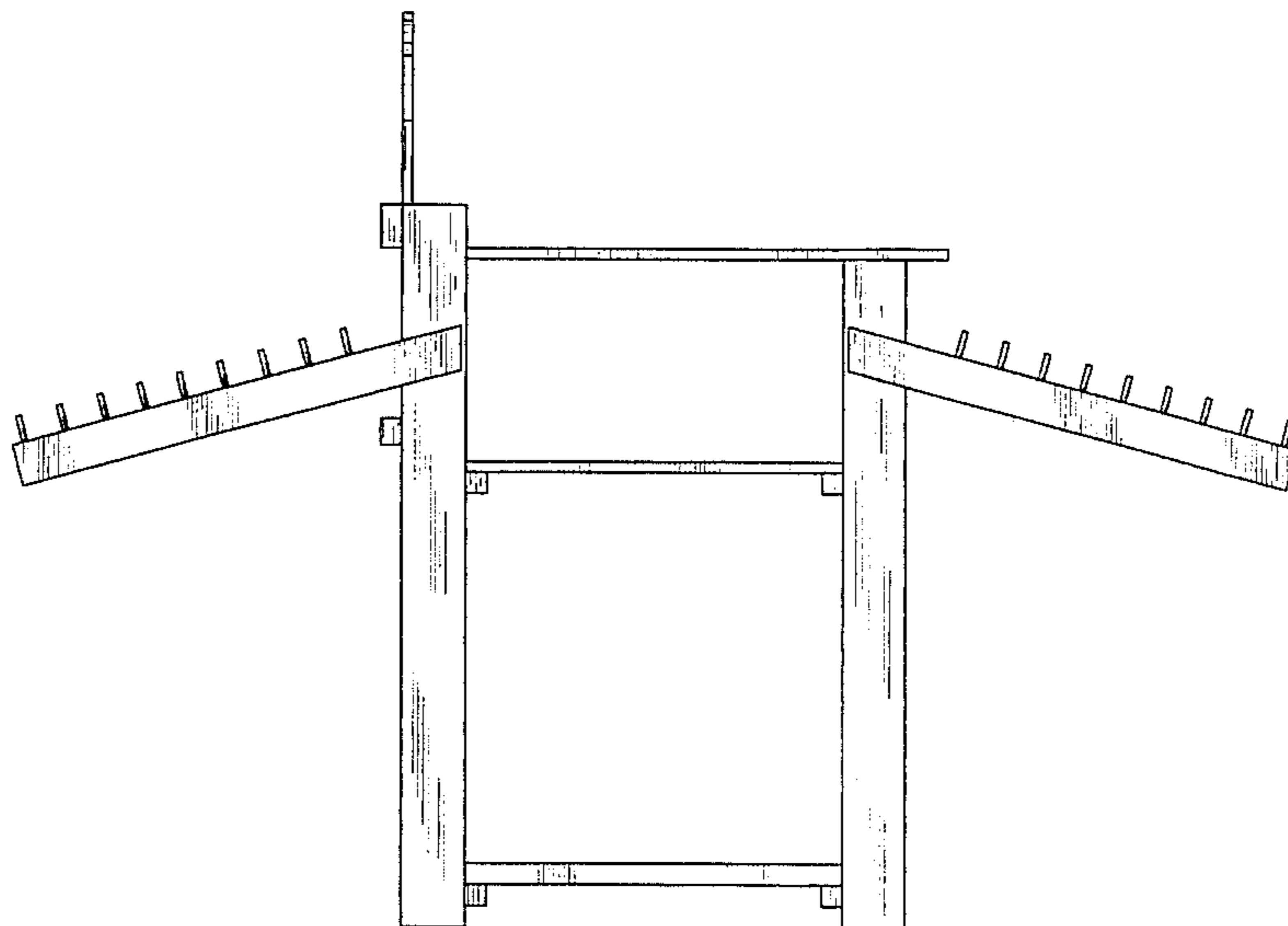


FIG. 1

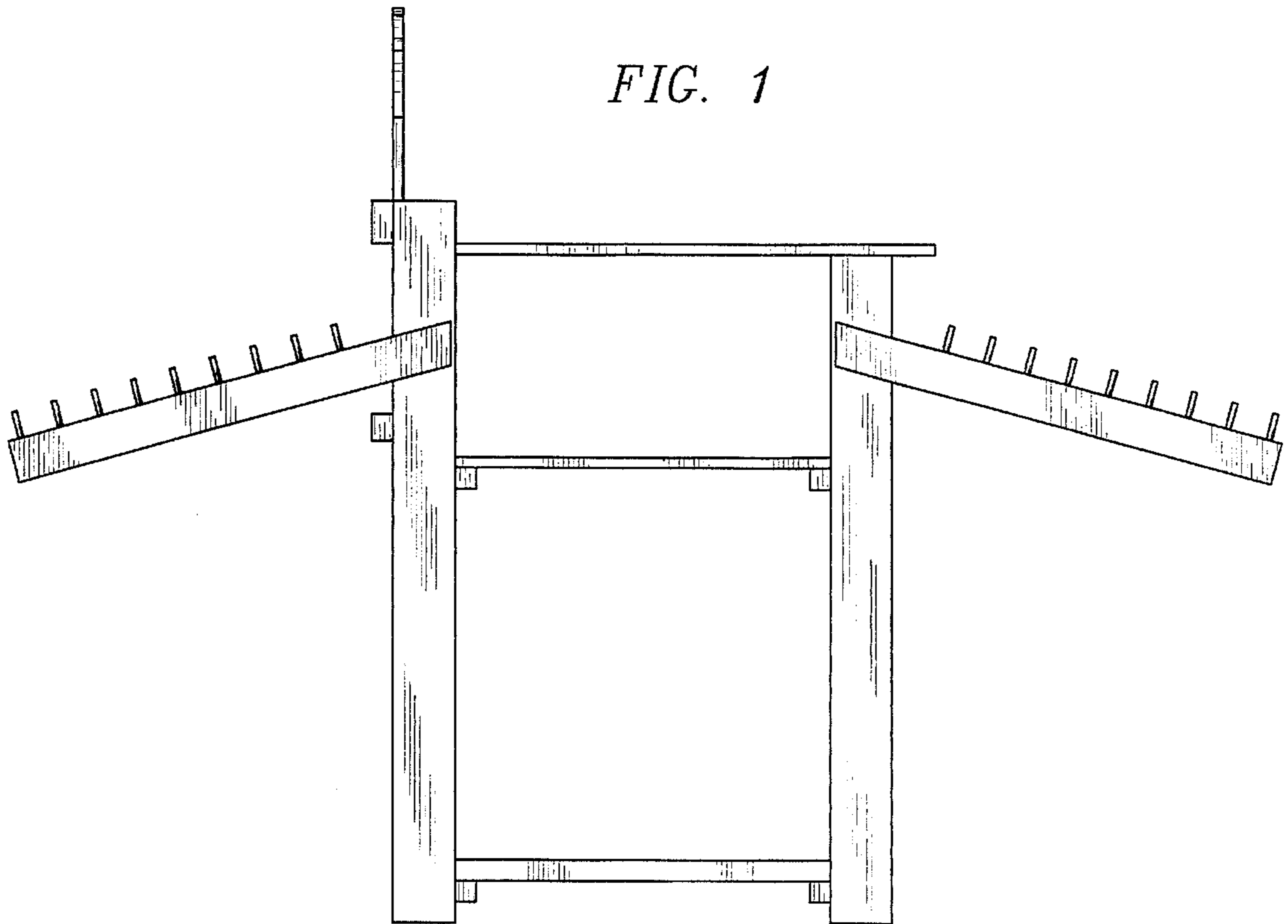


FIG. 2

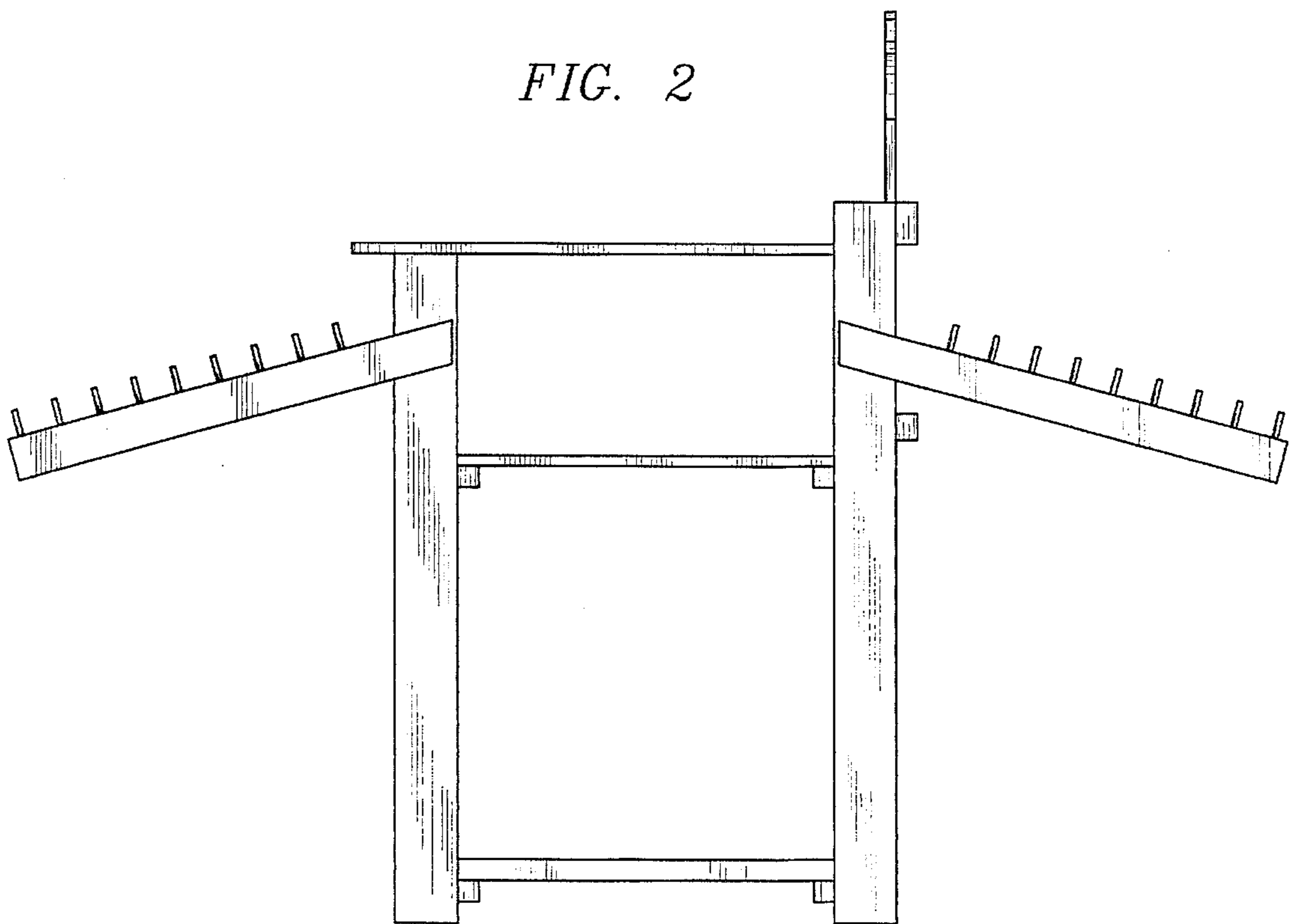


FIG. 3

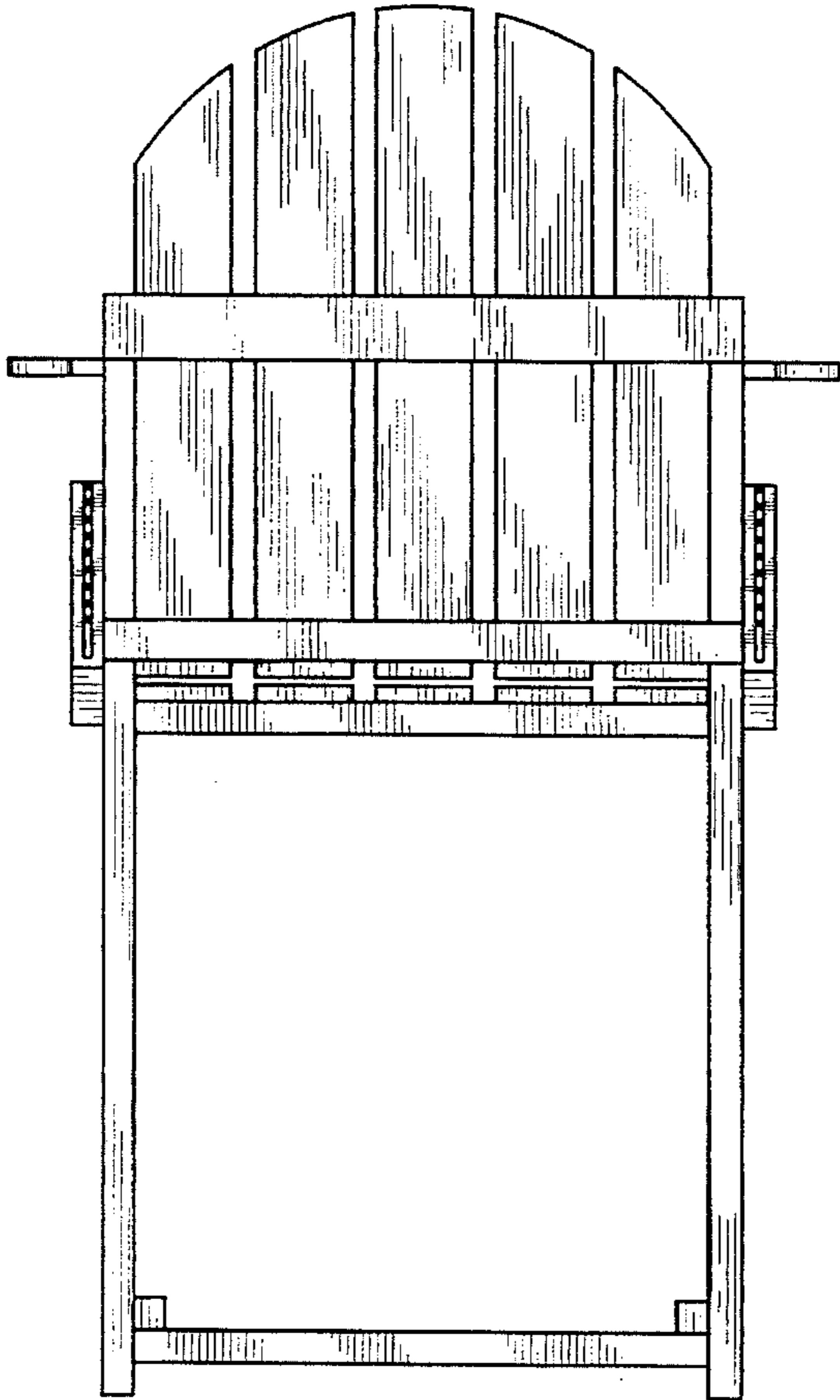


FIG. 4

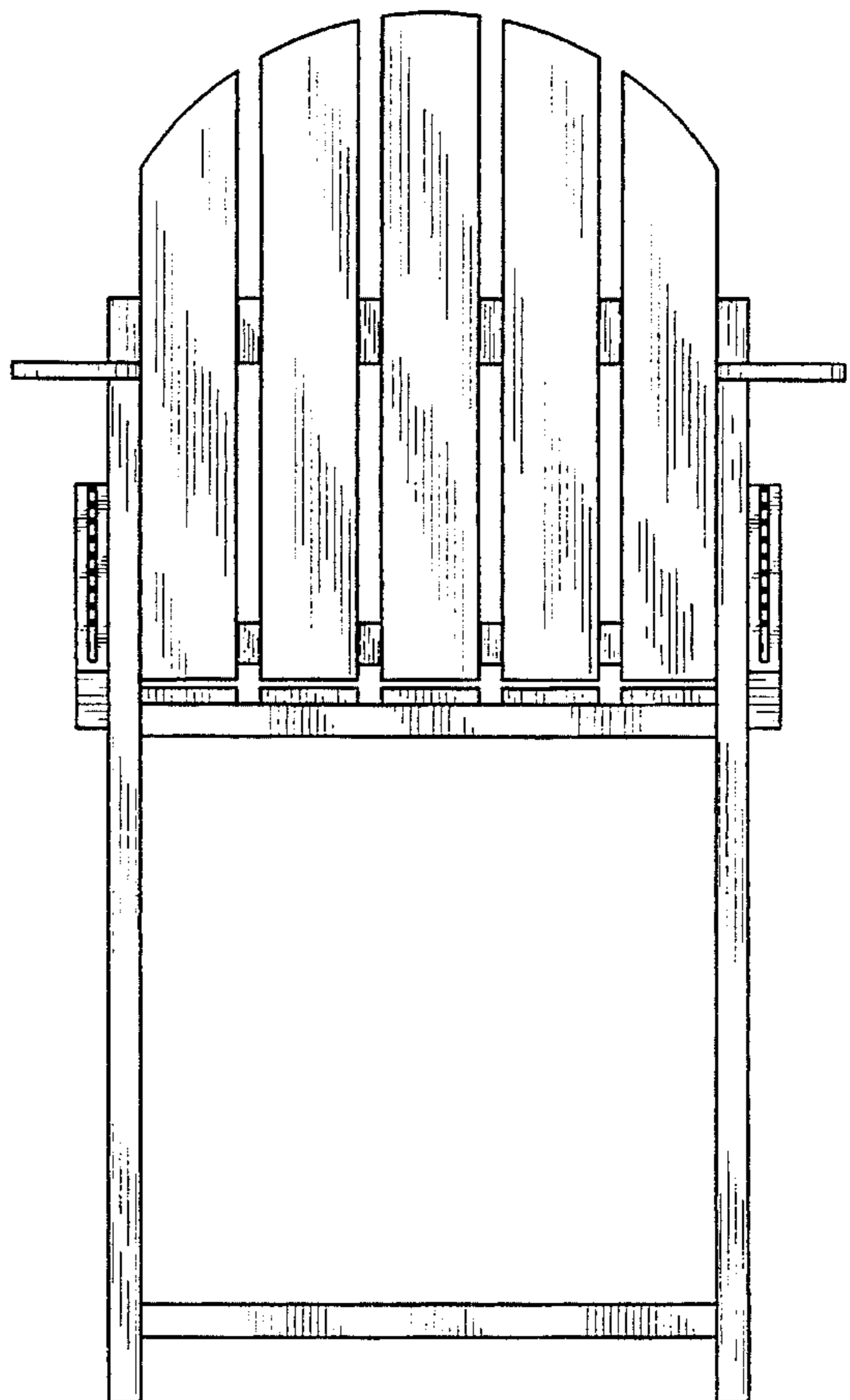


FIG. 5

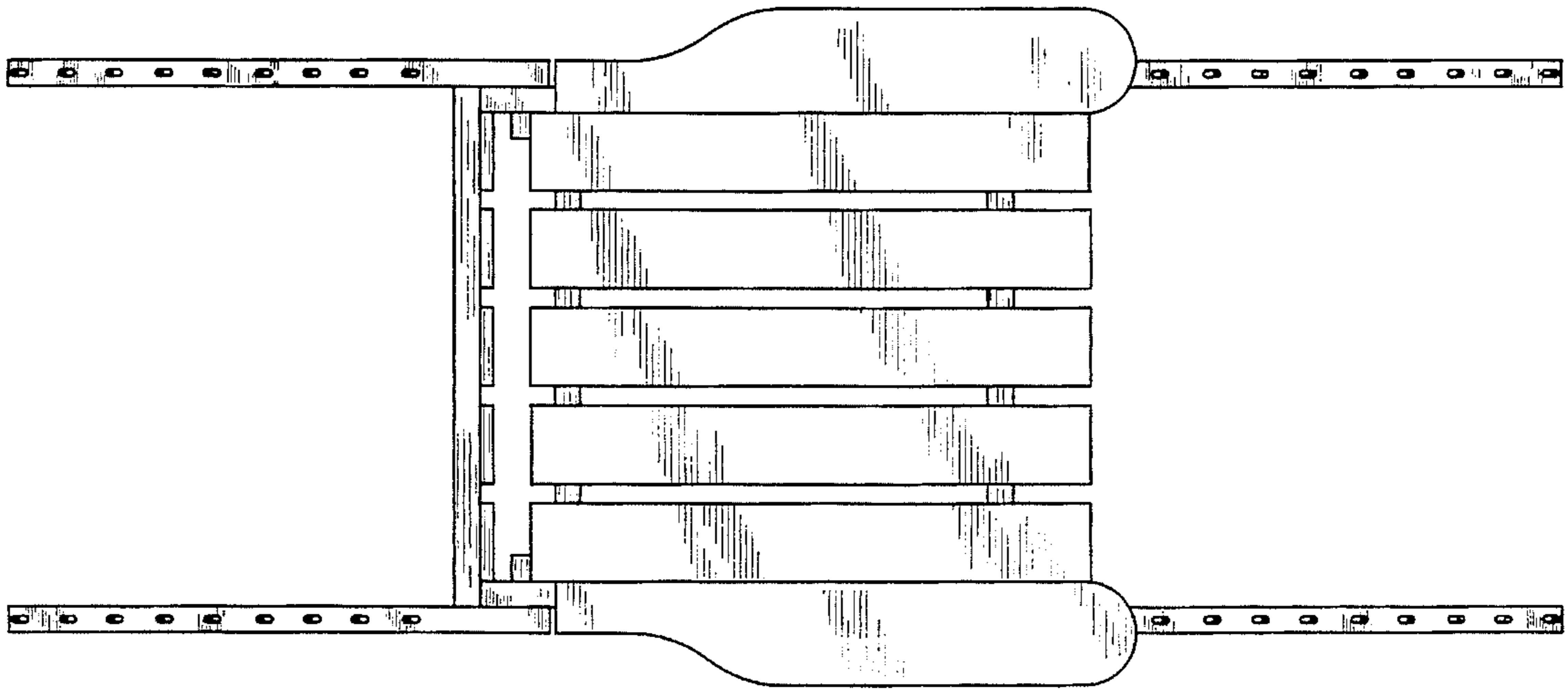


FIG. 6

