



US00D372131S

**United States Patent** [19]  
**Perkins, Jr.**

[11] **Patent Number: Des. 372,131**  
[45] **Date of Patent: \*\*Jul. 30, 1996**

[54] **PICTURE FRAME**

[76] Inventor: **Raymond C. Perkins, Jr.**, 1730 N. Clark St., Apt. 714, Chicago, Ill. 60614

[\*\*] Term: **14 Years**

[21] Appl. No.: **45,875**

[22] Filed: **Nov. 1, 1995**

[52] U.S. Cl. .... **D6/314; D20/40**

[58] **Field of Search** ..... D6/300-303, 308-314; D20/10, 40; 40/700, 734, 765, 771, 774, 790, 798, 617, 124.1; 248/452

[56] **References Cited**

**U.S. PATENT DOCUMENTS**

D. 238,528	1/1976	Crawford	.....	D6/314
D. 268,316	3/1983	Shamoon	.....	D6/300
D. 333,390	2/1993	McCauley	.....	D6/429

**OTHER PUBLICATIONS**

Studio Spec. Ltd., acrylic riser at lower right.  
Display Innovations in Acrylic, 1987, Z-Bends at far left and center.

*Primary Examiner*—Janice E. Seeger  
*Attorney, Agent, or Firm*—David C. Brezina; Lee, Mann, Smith, McWilliams, Sweeney & Ohlson

[57] **CLAIM**

The ornamental design for a picture frame, as shown and described.

**DESCRIPTION**

FIG. 1 is a perspective view of my picture frame showing my new design;

FIG. 2 is a side elevational view thereof, the opposite side being a mirror image of the side shown;

FIG. 3 is a front elevational view thereof;

FIG. 4 is a rear elevational view thereof;

FIG. 5 is a top plan view thereof; and,

FIG. 6 is a bottom plan view thereof.

The broken lines are for environmental purposes only and form no part of the claimed design.

**1 Claim, 2 Drawing Sheets**

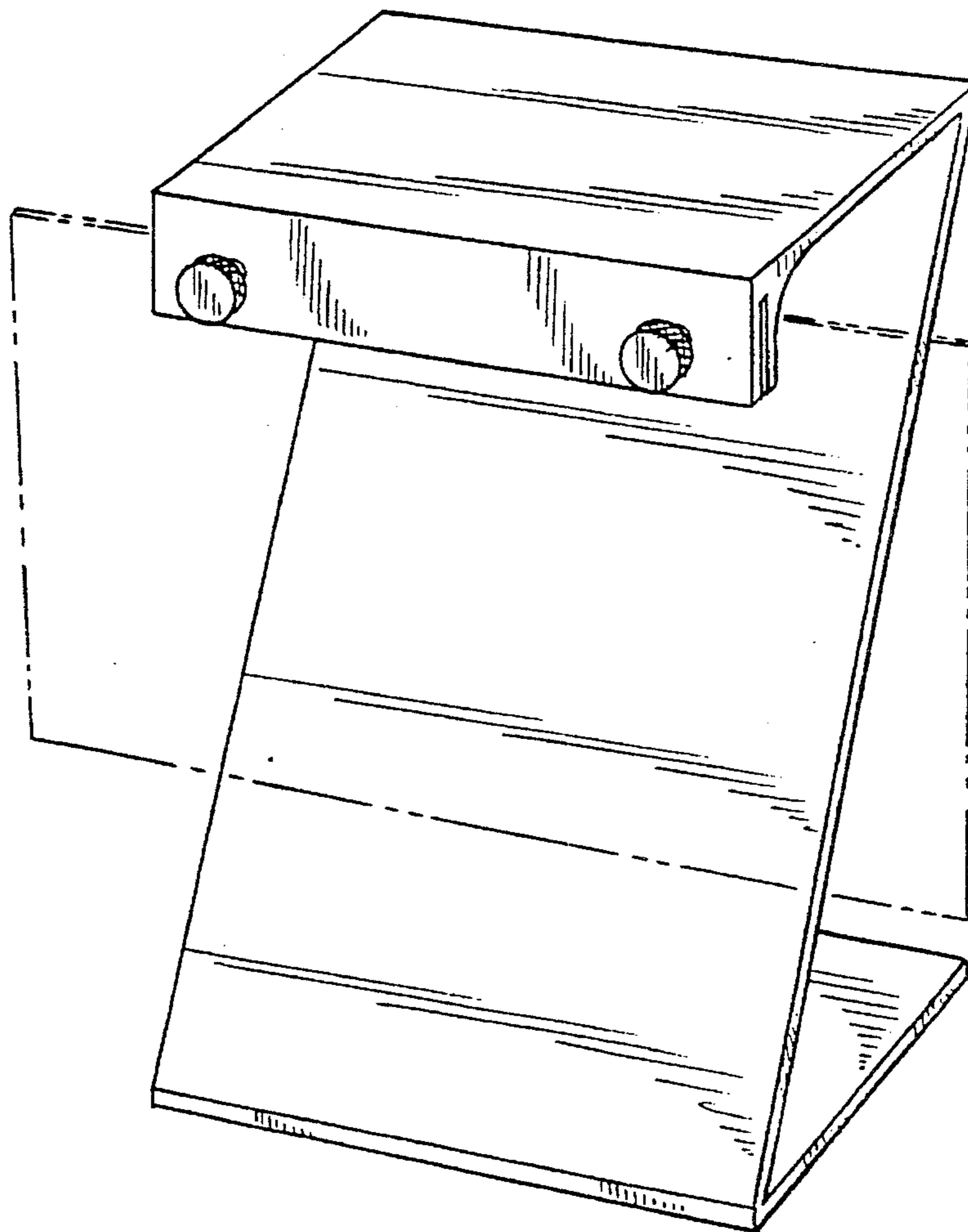


FIG. 2

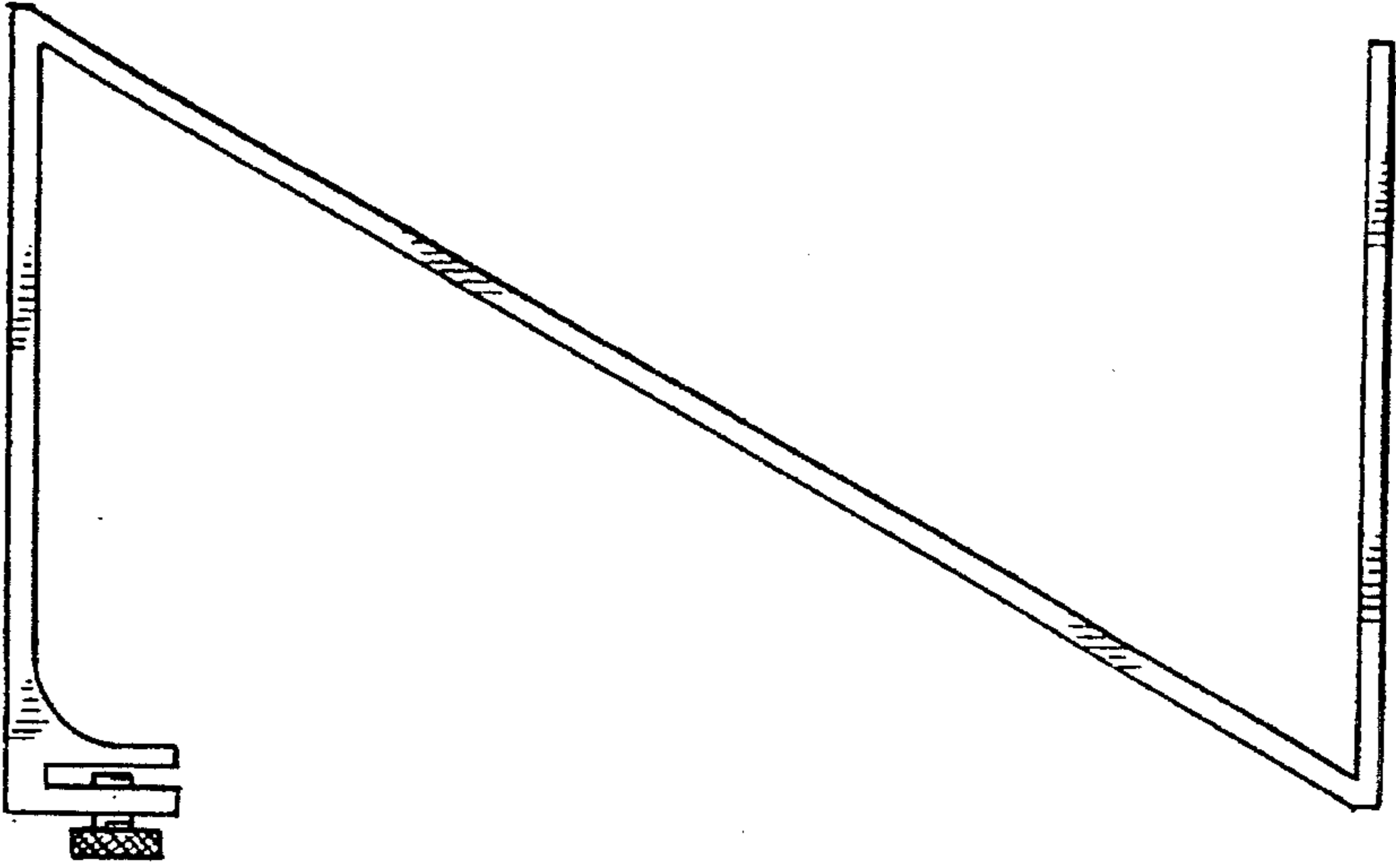


FIG. 1

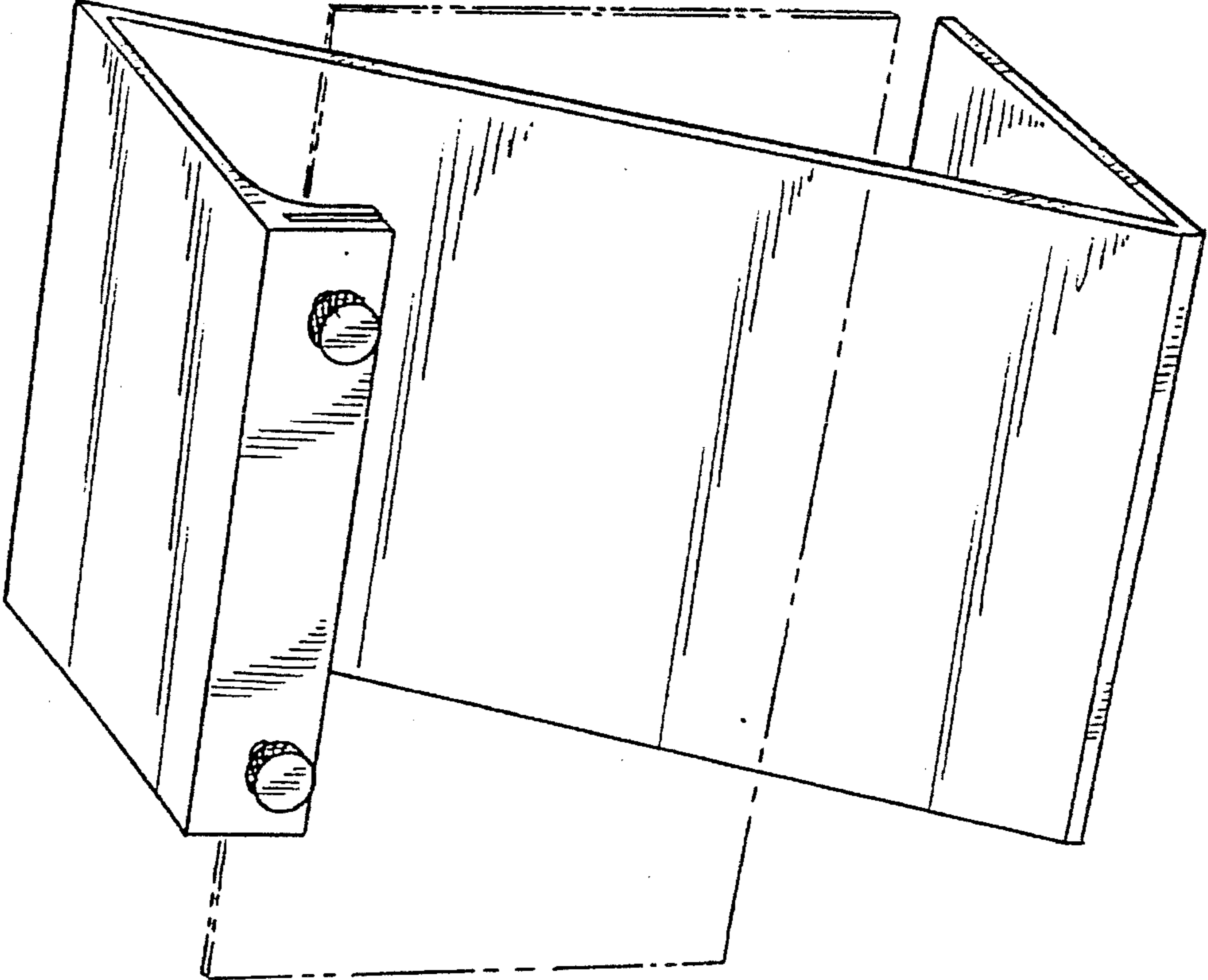


FIG. 3

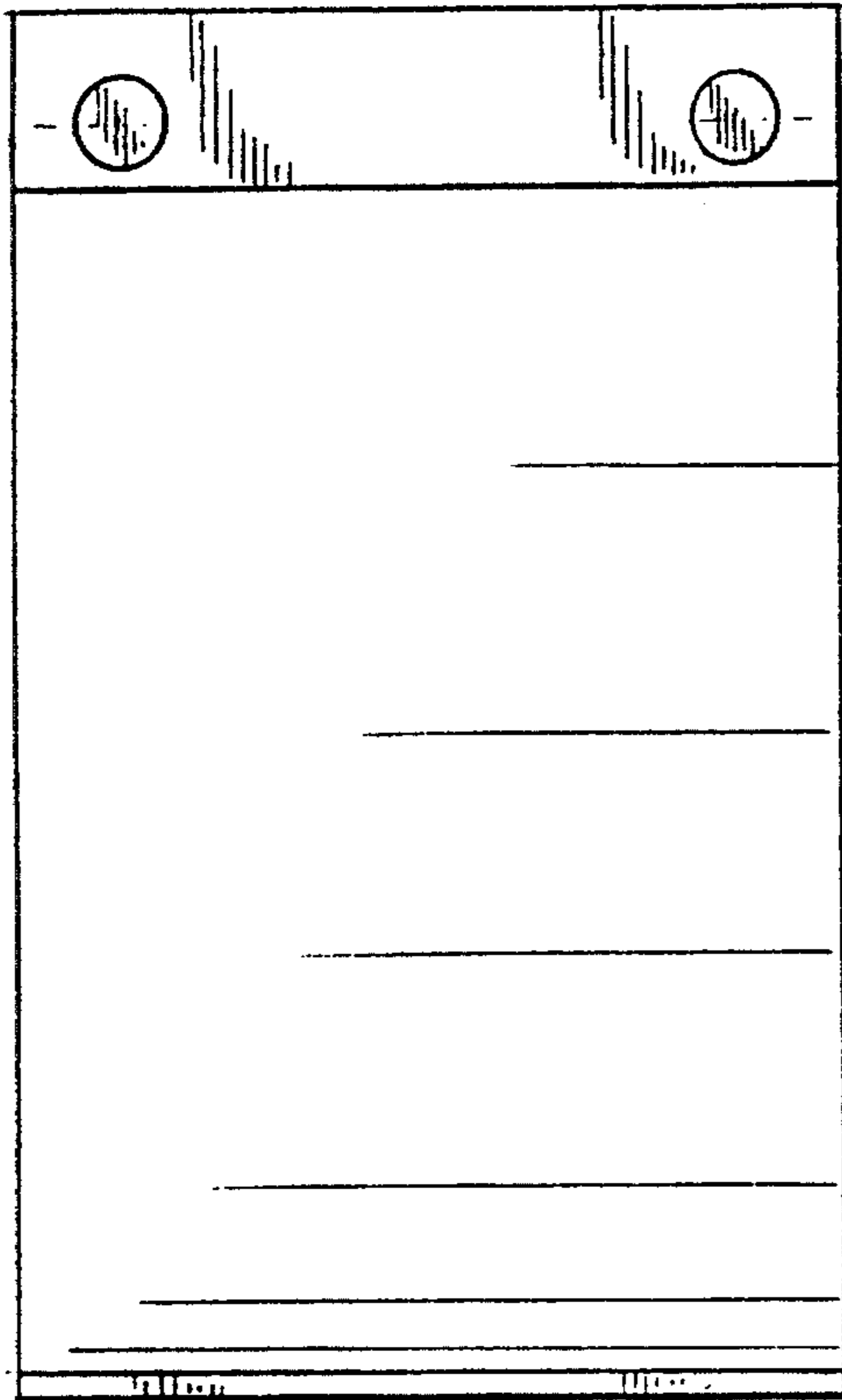


FIG. 4

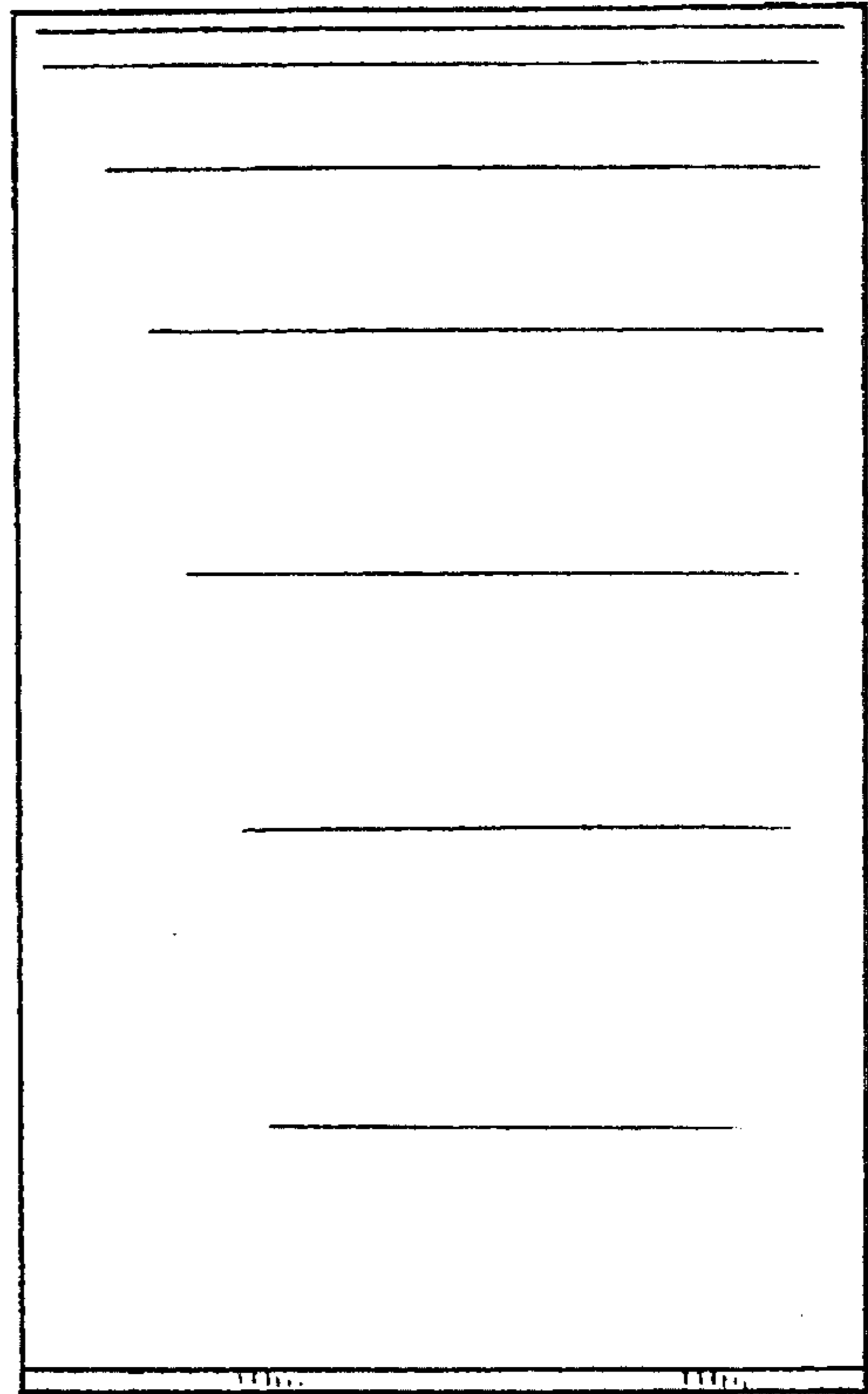


FIG. 5

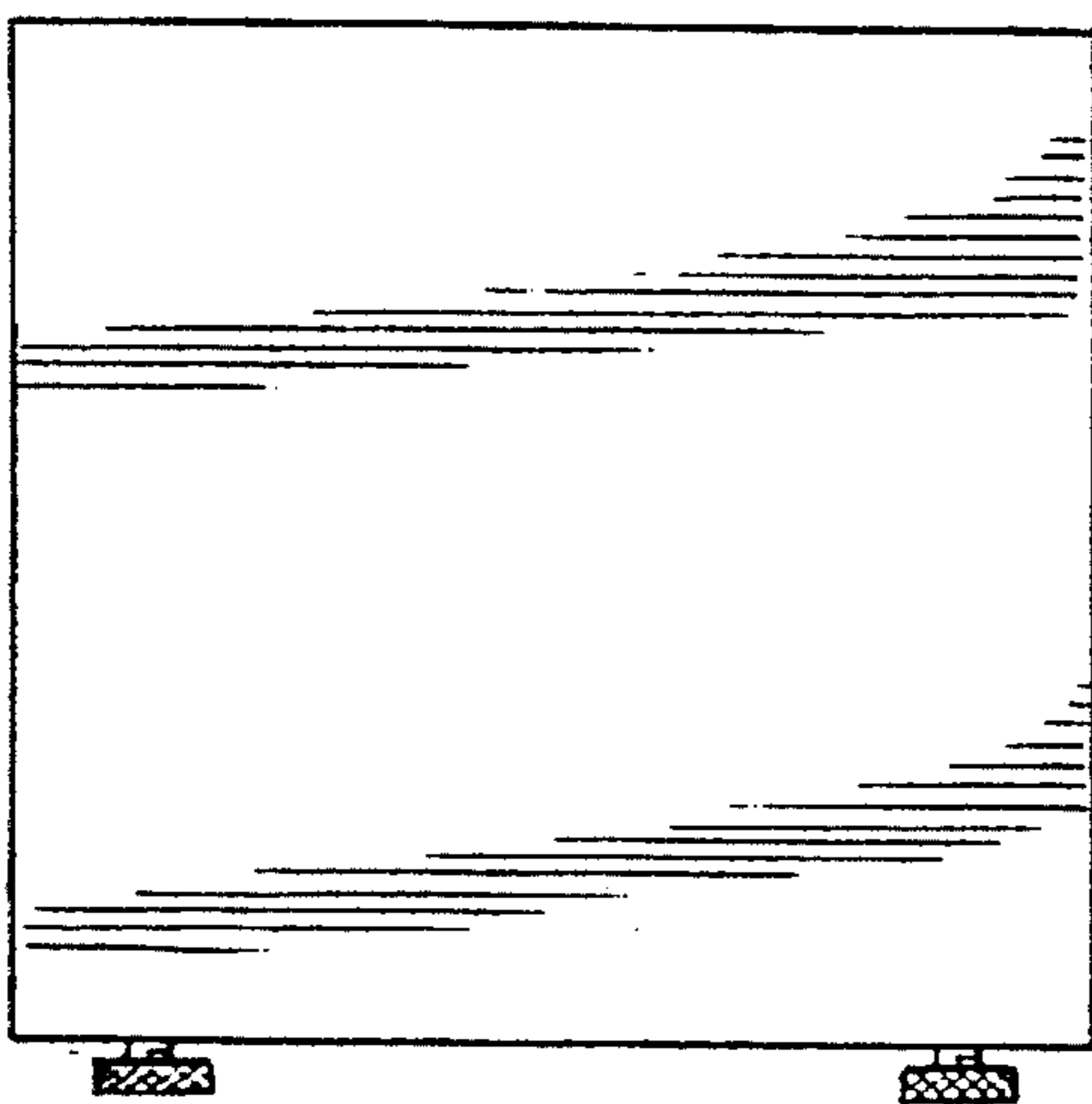


FIG. 6

