



US00D372128S

# United States Patent [19]

Beach et al.

[11] Patent Number: Des. 372,128

[45] Date of Patent: \*\*Jul. 30, 1996

## [54] COMBINED BRUSH AND GROOMER AND HANDLE PORTION

[75] Inventors: **Franklin C. Beach; Bernard A. Erickson**, both of Rockford, Ill.

[73] Assignee: **Groom Industries, Inc.**, Rockford, Ill.

[\*\*] Term: **14 Years**

[21] Appl. No.: **39,097**

[22] Filed: **May 17, 1995**

[52] U.S. Cl. .... **D4/116; D4/132; D4/136**

[58] Field of Search ..... D4/116, 117, 118, D4/130, 132, 135, 136; 15/105, 142, 159.1, 160, 186, 187; 119/83, 85, 86, 93; 132/120; D8/13

### [56] References Cited

#### U.S. PATENT DOCUMENTS

|            |         |                |          |
|------------|---------|----------------|----------|
| D. 237,245 | 10/1975 | Smyth .....    | D4/116 X |
| D. 262,671 | 1/1982  | Erickson ..... | D4/136   |
| 3,084,498  | 4/1963  | Straley .....  | 15/105 X |
| 3,838,474  | 10/1974 | Erickson ..... | 15/142   |

*Primary Examiner*—A. Hugo Word  
*Assistant Examiner*—Lavone Tabor  
*Attorney, Agent, or Firm*—Mason, Kolehmainen, Rathburn & Wyss

### [57] CLAIM

The ornamental design for a combined brush and groomer and handle portion, as shown and described.

### DESCRIPTION

FIG. 1 is a front elevational view of a combined brush and groomer and handle portion when positioned for use as a groomer showing our new design;  
FIG. 2 is a front elevational view thereof when positioned for use as a brush;  
FIG. 3 is a side elevational view thereof, the opposite side is the same;  
FIG. 4 is a rear elevational view thereof, when positioned for use as a groomer;  
FIG. 5 is a rear elevational view thereof, when positioned for use as a brush; and,  
FIG. 6 is a top plan view thereof.

1 Claim, 4 Drawing Sheets

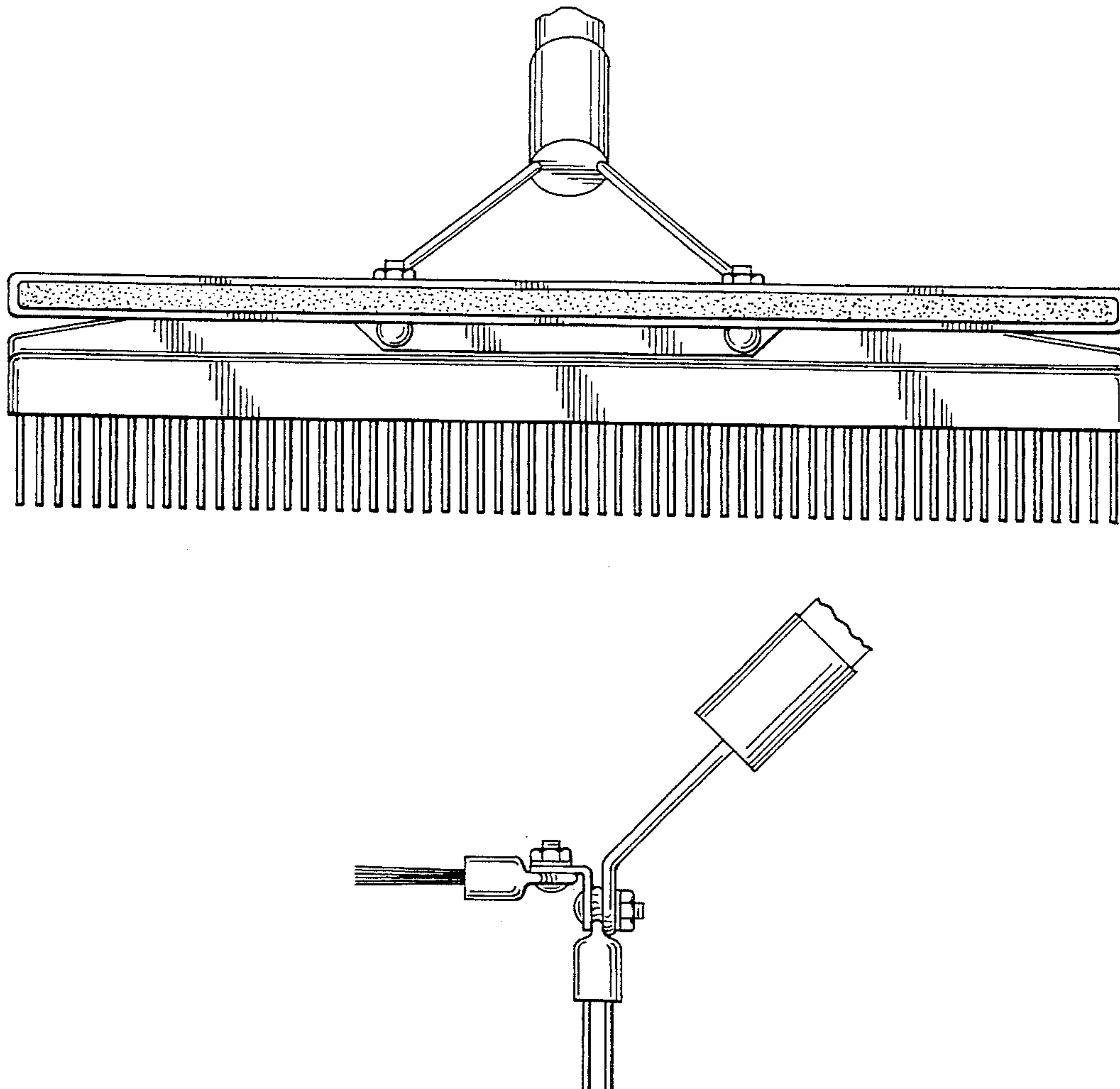
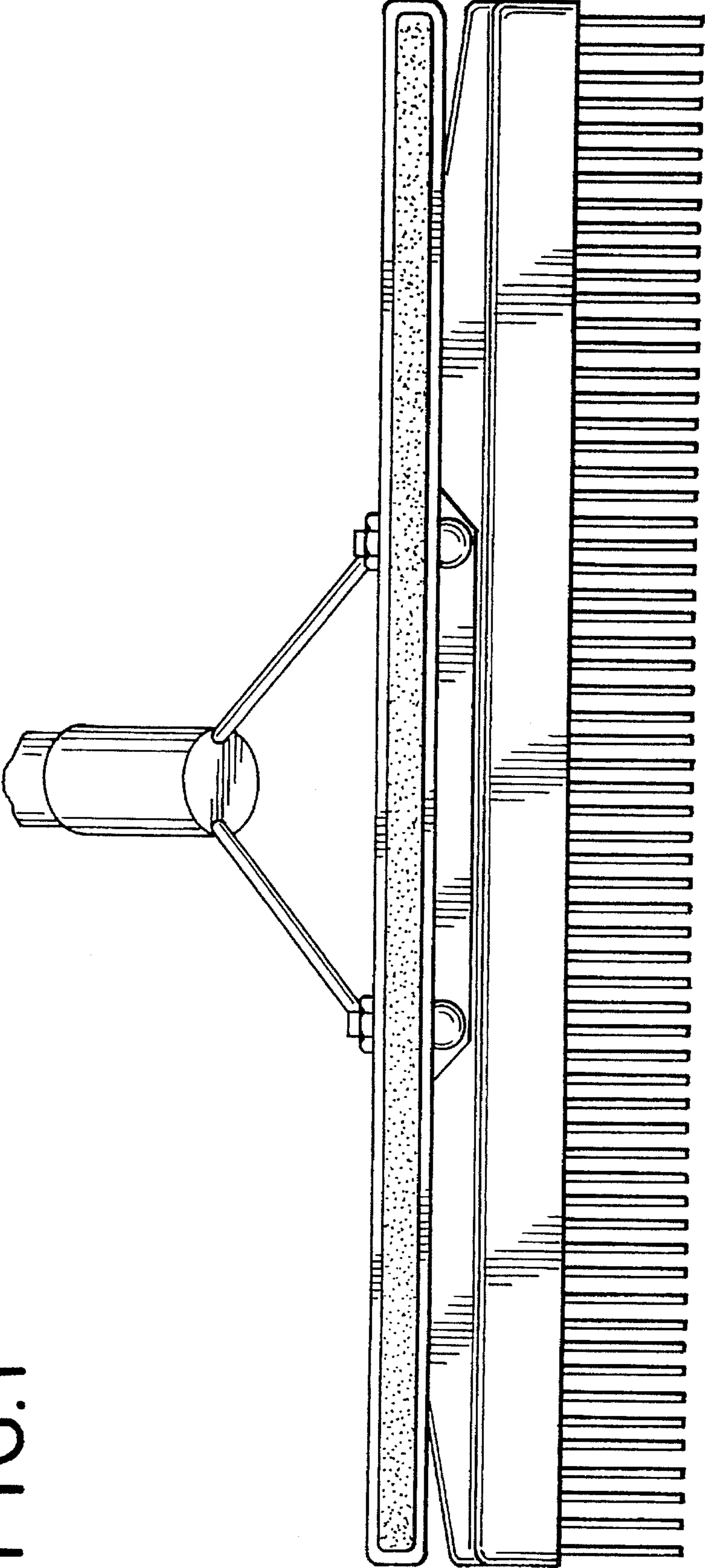


FIG. 1



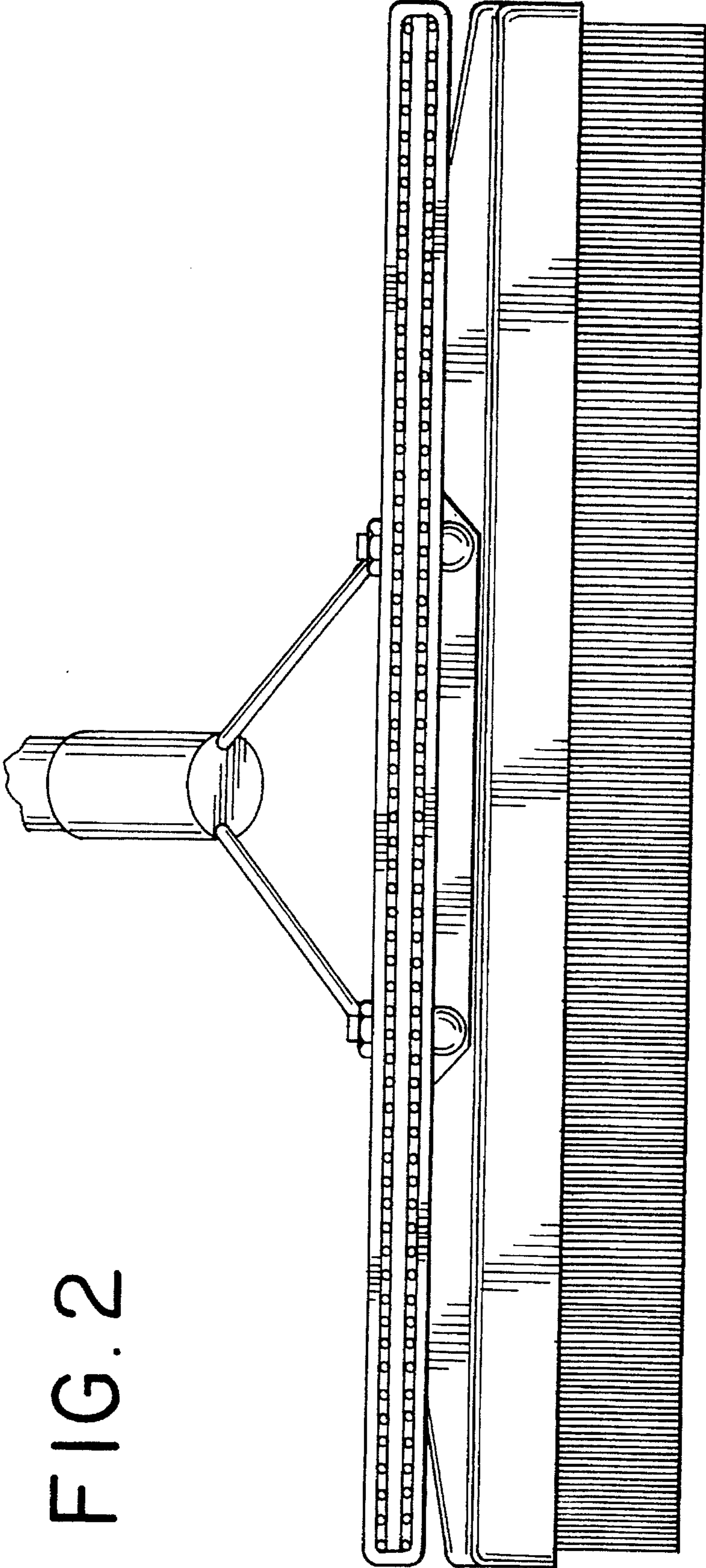


FIG. 2

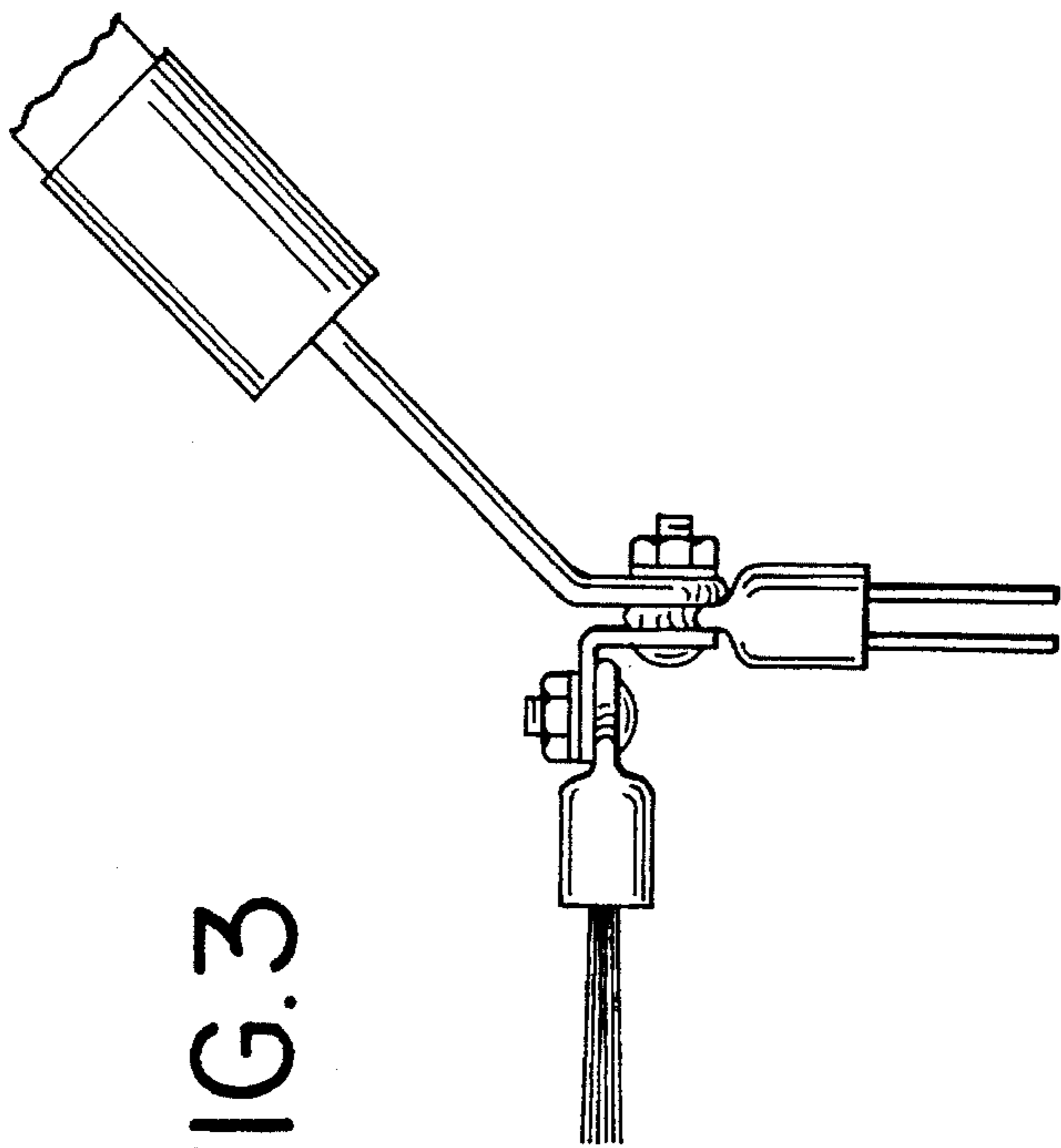


FIG. 3

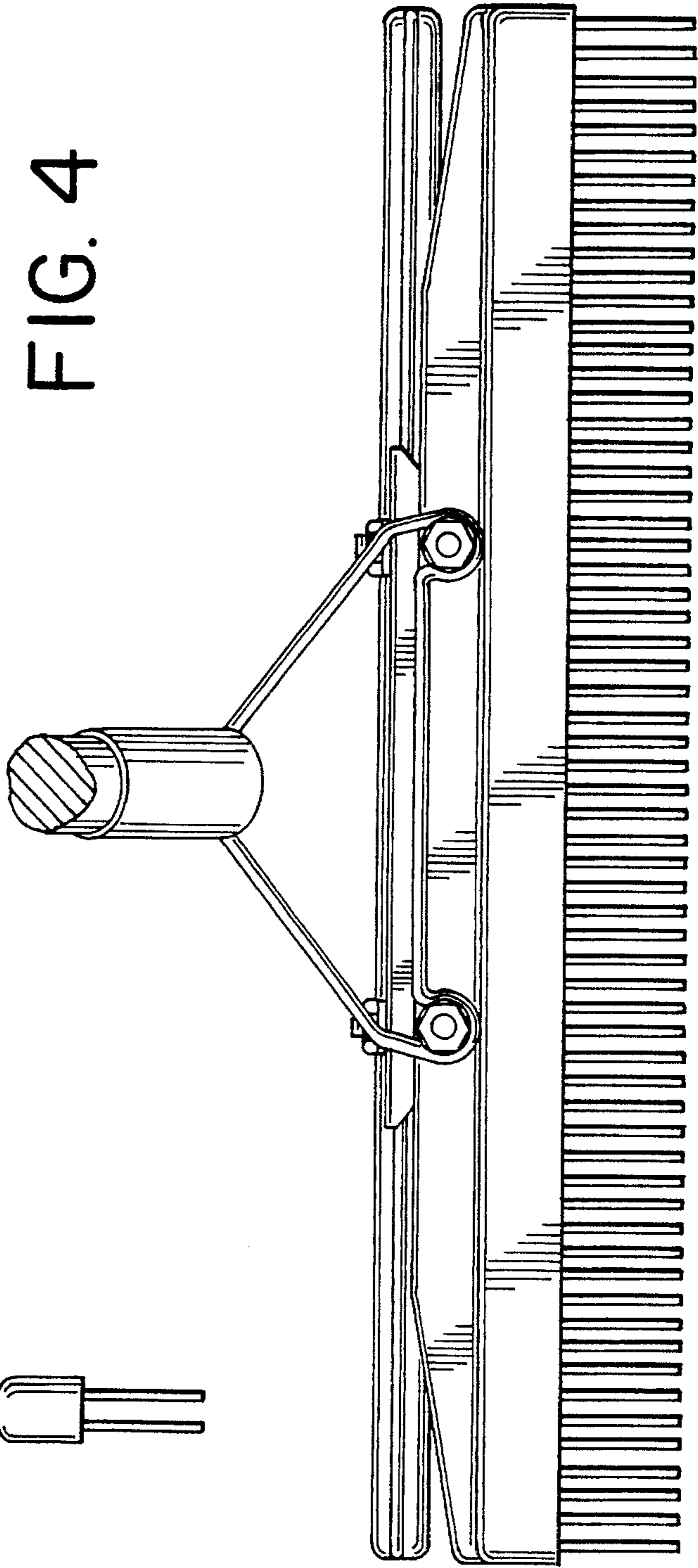


FIG. 4

