



US00D372125S

United States Patent [19]

[11] Patent Number: **Des. 372,125**

Frazier

[45] Date of Patent: ****Jul. 30, 1996**

[54] **BUCKET CADDY FOR TOOLS**
[76] Inventor: **Todd C. Frazier**, 6641 Claxton Lot #437, Kalamazoo, Mich. 49001

4,998,622 3/1991 Drack 206/519
5,125,183 6/1992 Tisdell 43/54.1
5,186,329 2/1993 Fogelberg 220/735 X
5,215,210 6/1993 Ostrum et al. 220/754

[**] Term: **14 Years**

Primary Examiner—Doris V. Coles
Assistant Examiner—Catherine R. Oliver

[21] Appl. No.: **35,593**

[57] **CLAIM**

[22] Filed: **Mar. 2, 1995**

The ornamental design for the bucket caddy for tools, as shown and described.

[52] U.S. Cl. **D3/315; D3/905; D32/53**

[58] Field of Search D3/315, 310, 905; D32/53, 53.1, 54, 37; 206/372, 373; 220/505, 506, 507, 555, 694, 697, 698, 699, 700, 701, 702, 735, 736

DESCRIPTION

FIG. 1 is a perspective view of the bucket caddy for tools showing my new design, the broken line showing of the tools for illustrative purposes only and forming no part of the claimed design;

FIG. 2 is a top plan view thereof;

FIG. 3 is a bottom plan view thereof;

FIG. 4 is a cross-sectional elevational view thereof taken along line 4—4 of FIG. 2; and,

FIG. 5 is a cross-sectional elevational view thereof taken along line 5—5 of FIG. 2.

[56] **References Cited**

U.S. PATENT DOCUMENTS

D. 345,832	4/1994	Fraze et al.	D32/53.1
D. 350,425	9/1994	Walker	D32/53.1
3,826,404	7/1974	Rowe et al.	220/604
4,181,226	1/1980	Weinert	206/519
4,911,295	3/1990	Venegoni	206/372
4,947,998	8/1990	Smeller	220/694 X

1 Claim, 3 Drawing Sheets

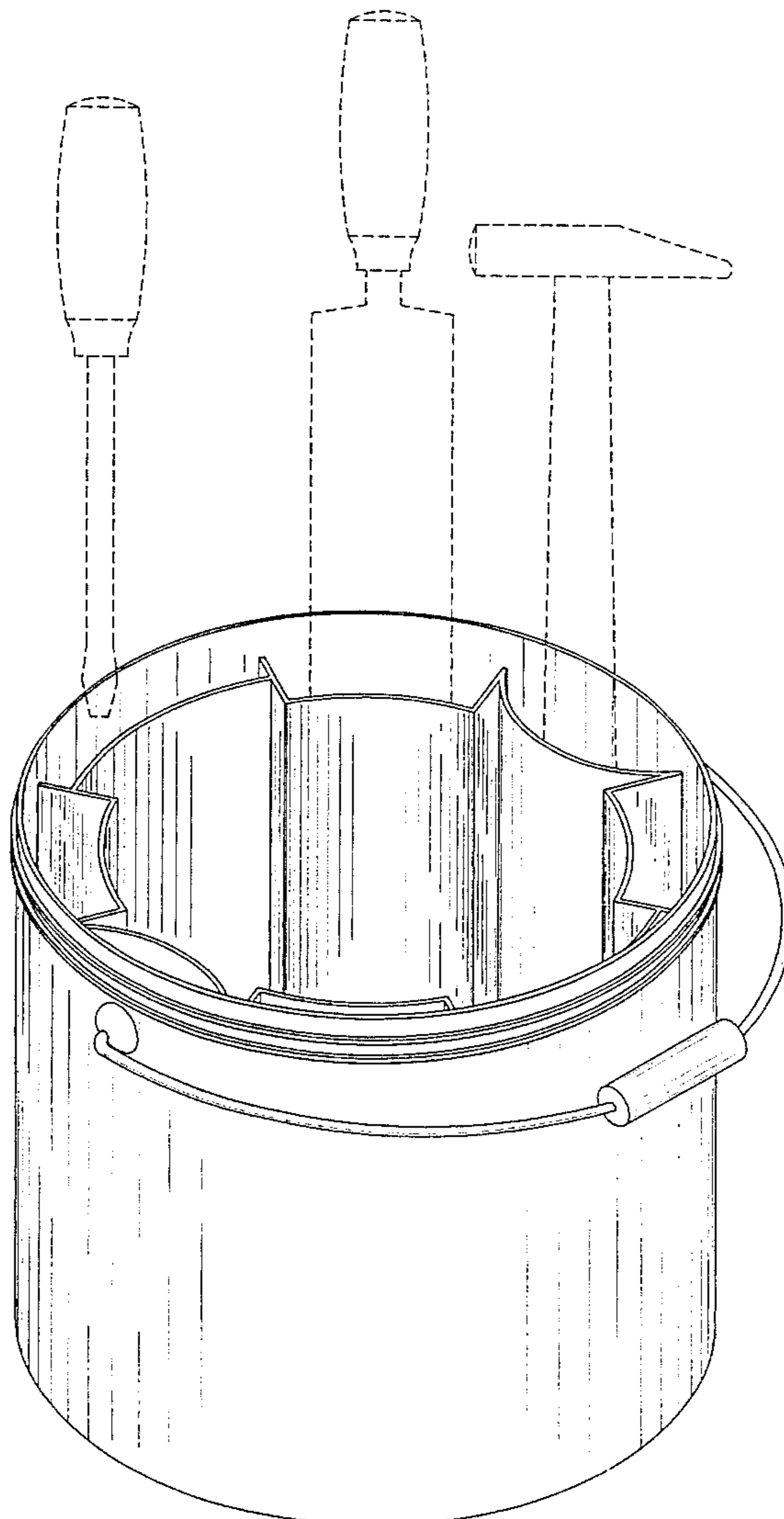


FIG. 1

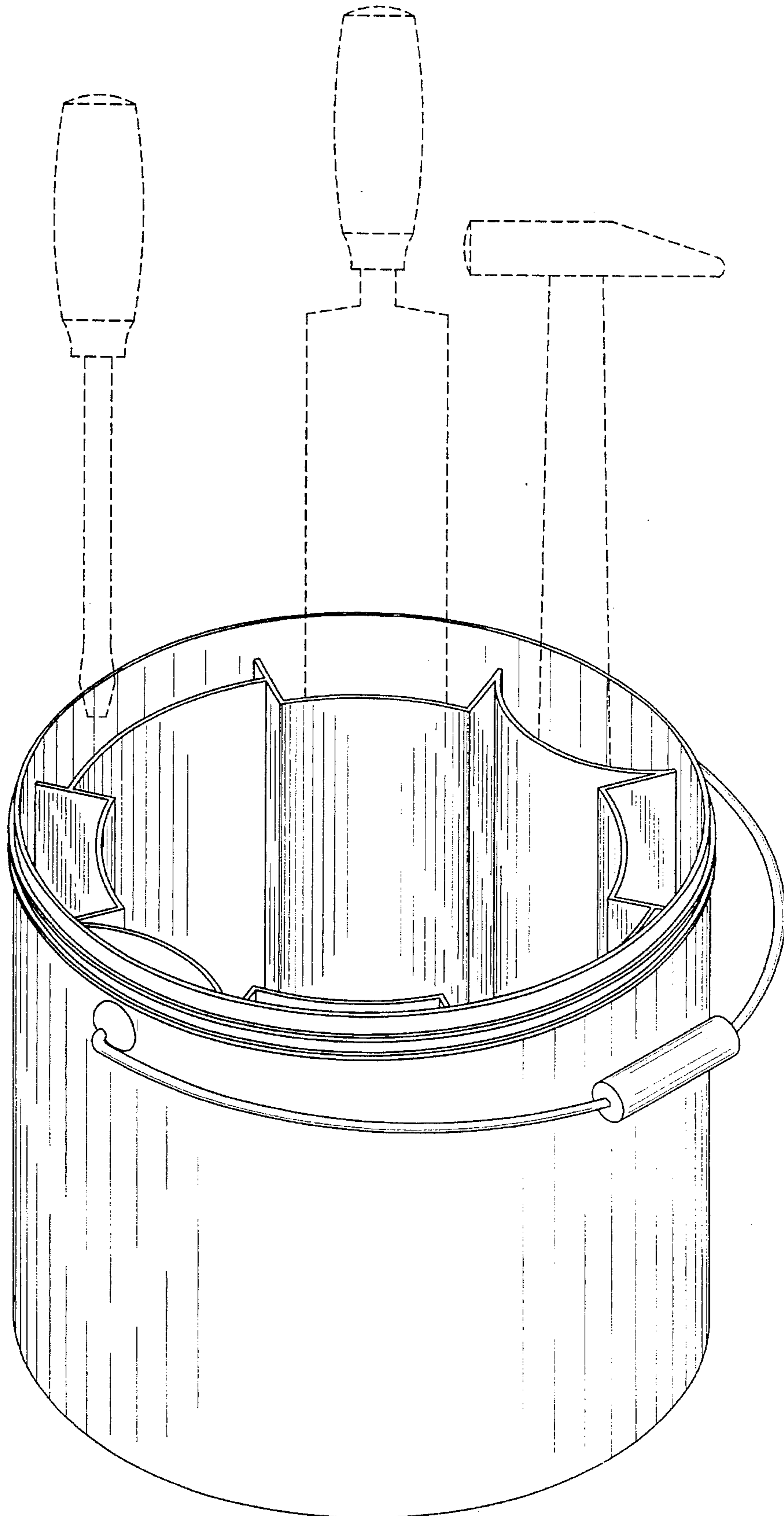


FIG. 2

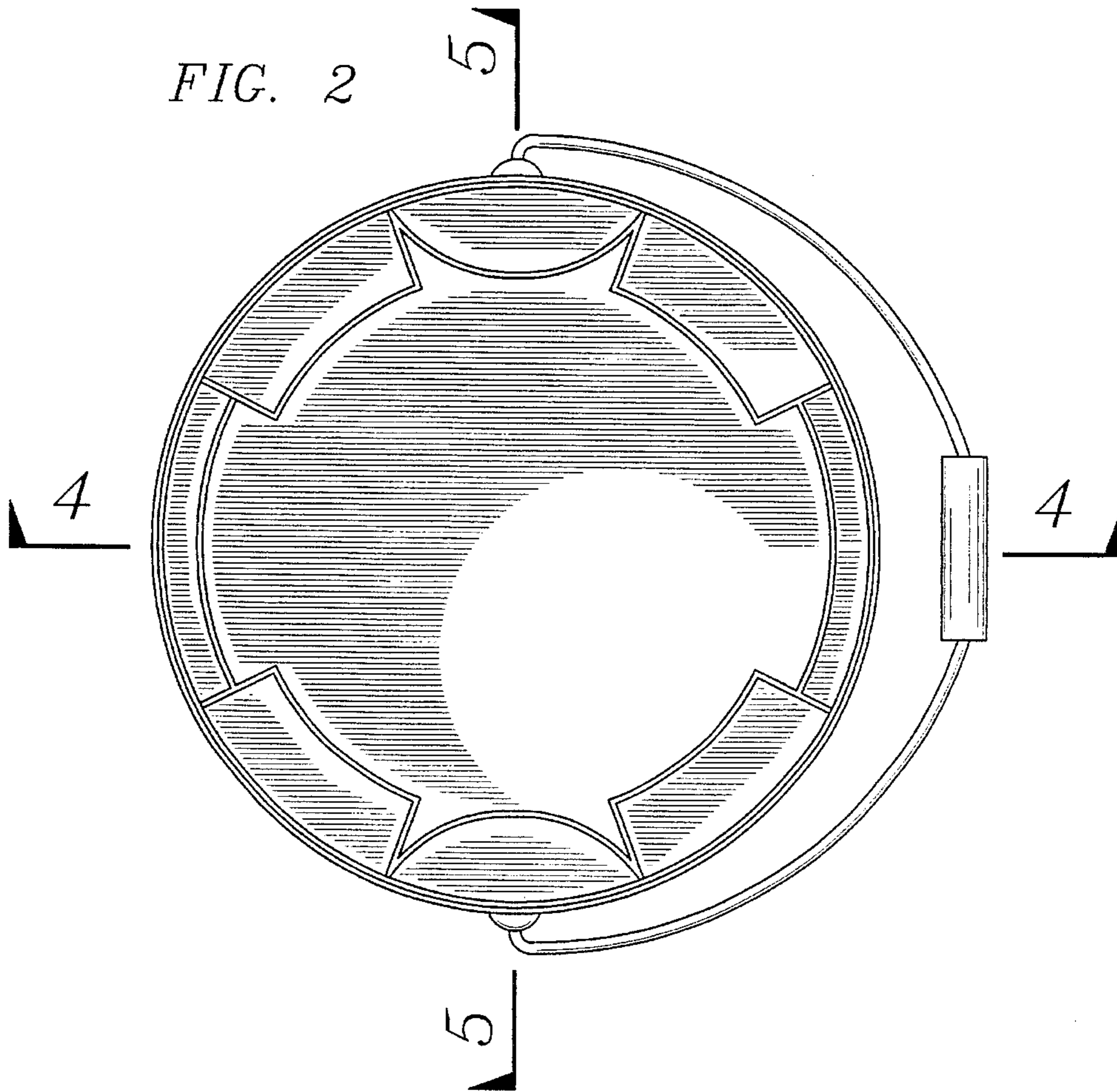


FIG. 3

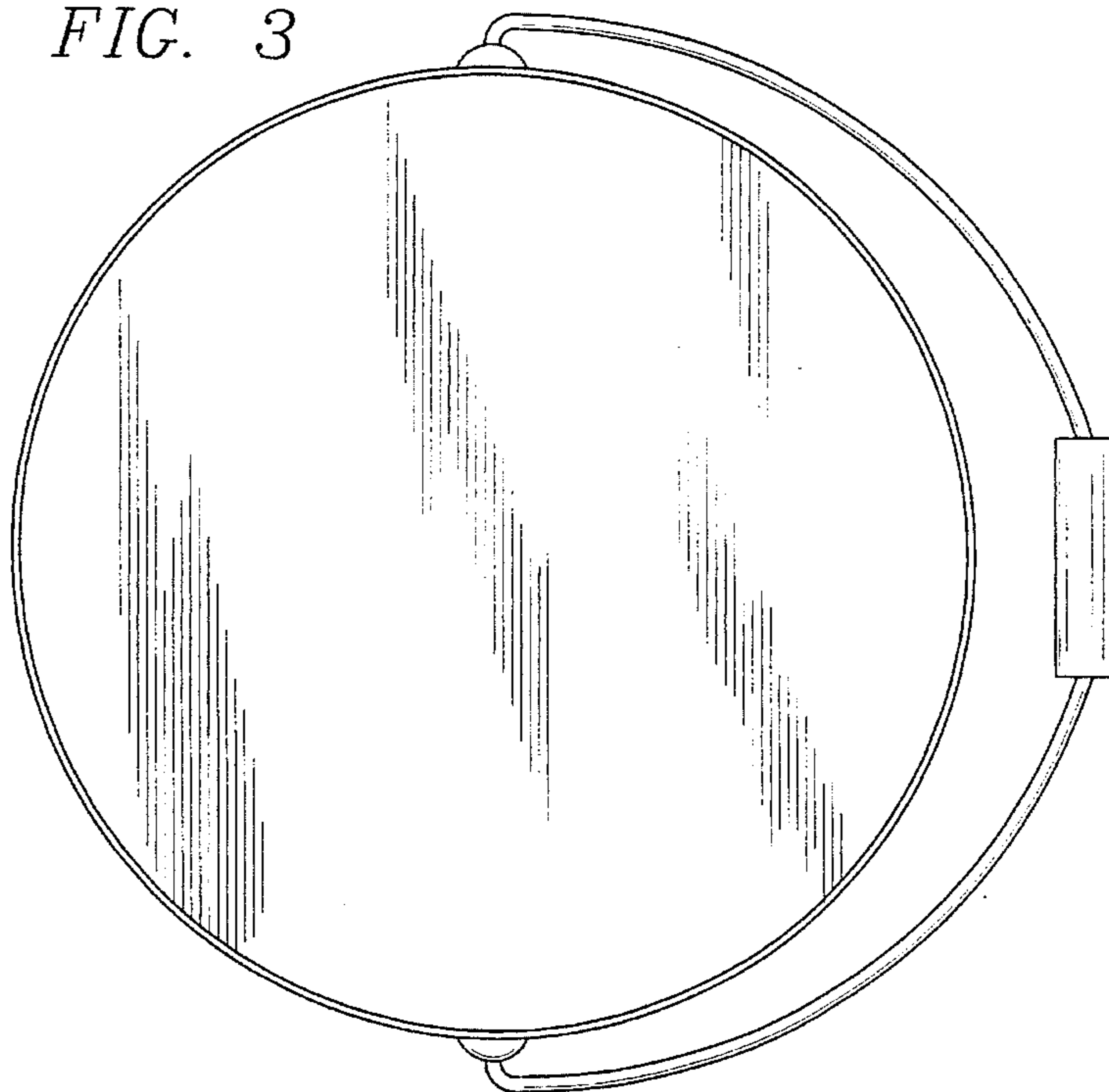


FIG. 4

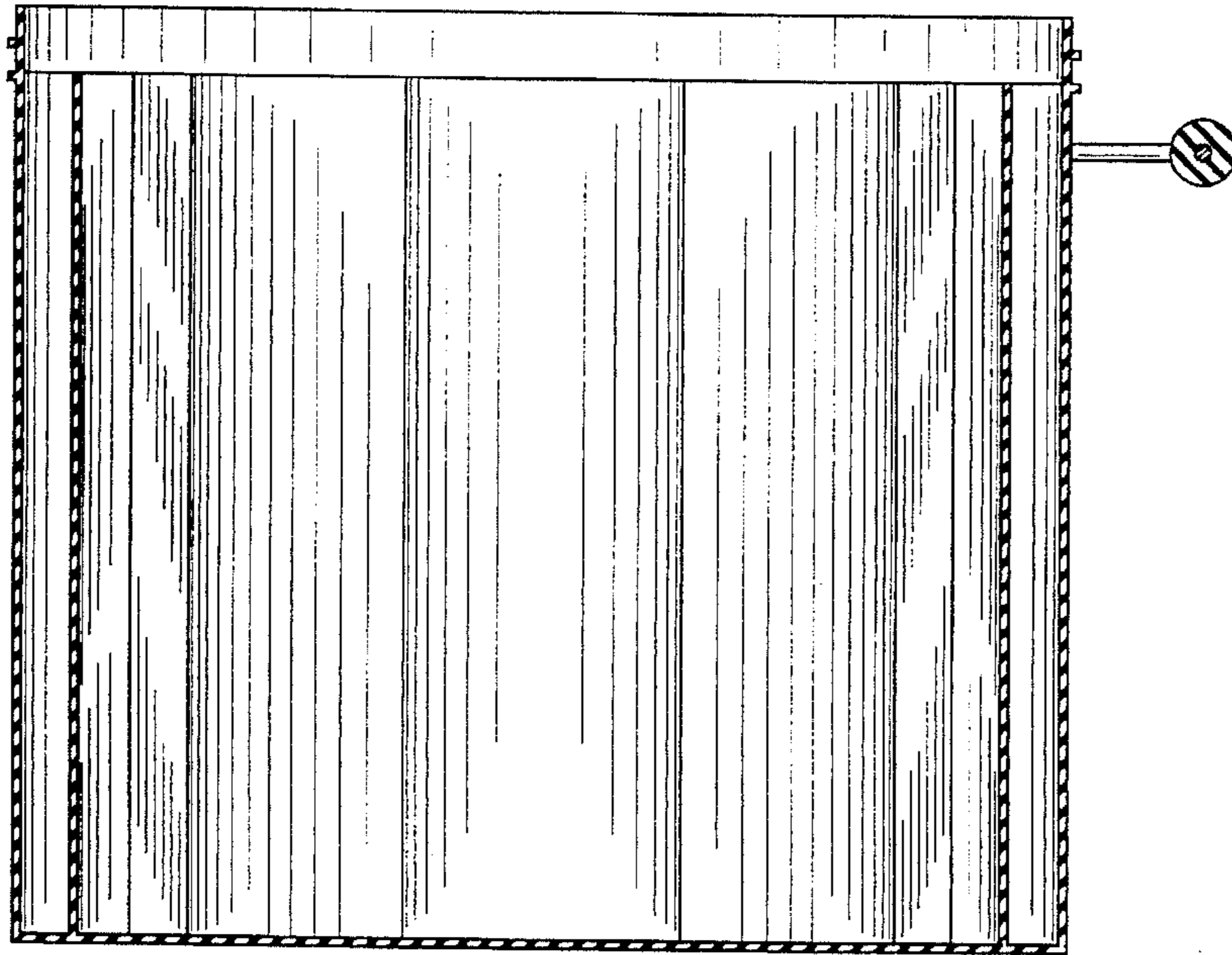


FIG. 5

