



US00D372123S

**United States Patent** [19]  
**Kobilarcik et al.**

[11] **Patent Number:** **Des. 372,123**  
[45] **Date of Patent:** **\*\*Jul. 30, 1996**

[54] **STORAGE CONTAINER**

5,366,104 11/1994 Armstrong .

[75] Inventors: **Albert T. Kobilarcik**, Wooster; **Stacy L. Wolff**, Akron, both of Ohio

**OTHER PUBLICATIONS**

[73] Assignee: **Rubbermaid Incorporated**, Wooster, Ohio

Label, Storage box; Rhenanit, address unknown. It is believed that the product depicted herein has been on sale for more than one (1) year prior to the application date of this instant application.

[\*\*] Term: **14 Years**

Label, Storage boxes; Dial Industries, Inc., Los Angeles, California 90023. It is believed that the product depicted herein has been on sale for more than one (1) year prior to the application date of this instant application.

[21] Appl. No.: **32,174**

[22] Filed: **Dec. 14, 1994**

[52] U.S. Cl. .... **D3/312; D3/314**

[58] Field of Search ..... **D3/304, 307-314; D9/424, 425; 220/669, 670, 672, 673; 206/515, 519, 503; D32/53, 37**

Catalog page, Storage boxes; Sterilite Corporation, P.O. Box 524, Main Street, Townsend, Massachusetts. Publication date 1990.

P. 2, Storage boxes; Sterilite Corporation, P. O. Box 524, Main Street, Townsend, Massachusetts. Publication date 1993.

[56] **References Cited**

**U.S. PATENT DOCUMENTS**

- D. 168,205 11/1952 Baustian et al. .
- D. 238,051 12/1975 Fier .
- D. 238,148 12/1975 Dilot .
- D. 246,872 1/1978 White .
- D. 258,721 3/1981 Steeg .
- D. 258,723 3/1981 Cronou .
- D. 277,993 3/1985 Sinchok ..... D3/312
- D. 286,937 11/1986 Schäfer .
- D. 302,774 8/1989 Murphy .
- D. 308,340 6/1990 Ilsen et al. .
- D. 312,573 12/1990 Poirier .
- D. 319,016 8/1991 Kahl .
- D. 326,345 5/1992 Mandell et al. .
- D. 328,425 8/1992 Brightbill .
- D. 330,161 10/1992 Schuh .
- D. 330,329 10/1992 Brightbill .
- D. 342,364 12/1993 Hobson .
- D. 342,609 12/1993 Brightbill .
- D. 348,394 7/1994 Dreyer .
- D. 349,646 8/1994 Dickinson .
- D. 351,284 10/1994 Kruger .
- 3,351,227 11/1967 Collie .
- 3,419,184 12/1968 Asenbauer .
- 3,656,650 4/1972 Frater .
- 3,741,433 6/1973 Bentley et al. .
- 3,987,829 10/1976 Leone .
- 4,046,310 9/1977 Gustafsson ..... 206/503
- 4,863,023 9/1989 Payne et al. .

Sell sheet, Storage boxes; Coast-to-Coast Container Corp., 94 Pinewood Gardens, Hartsdale, New York 10530. It is believed that the product depicted herein has been on sale for more than one (1) year prior to the application date of this instant application.

(List continued on next page.)

*Primary Examiner*—Terry A. Wallace  
*Assistant Examiner*—Richelle Shelton  
*Attorney, Agent, or Firm*—Richard B. O'Planick; Lisa B. Riedesel

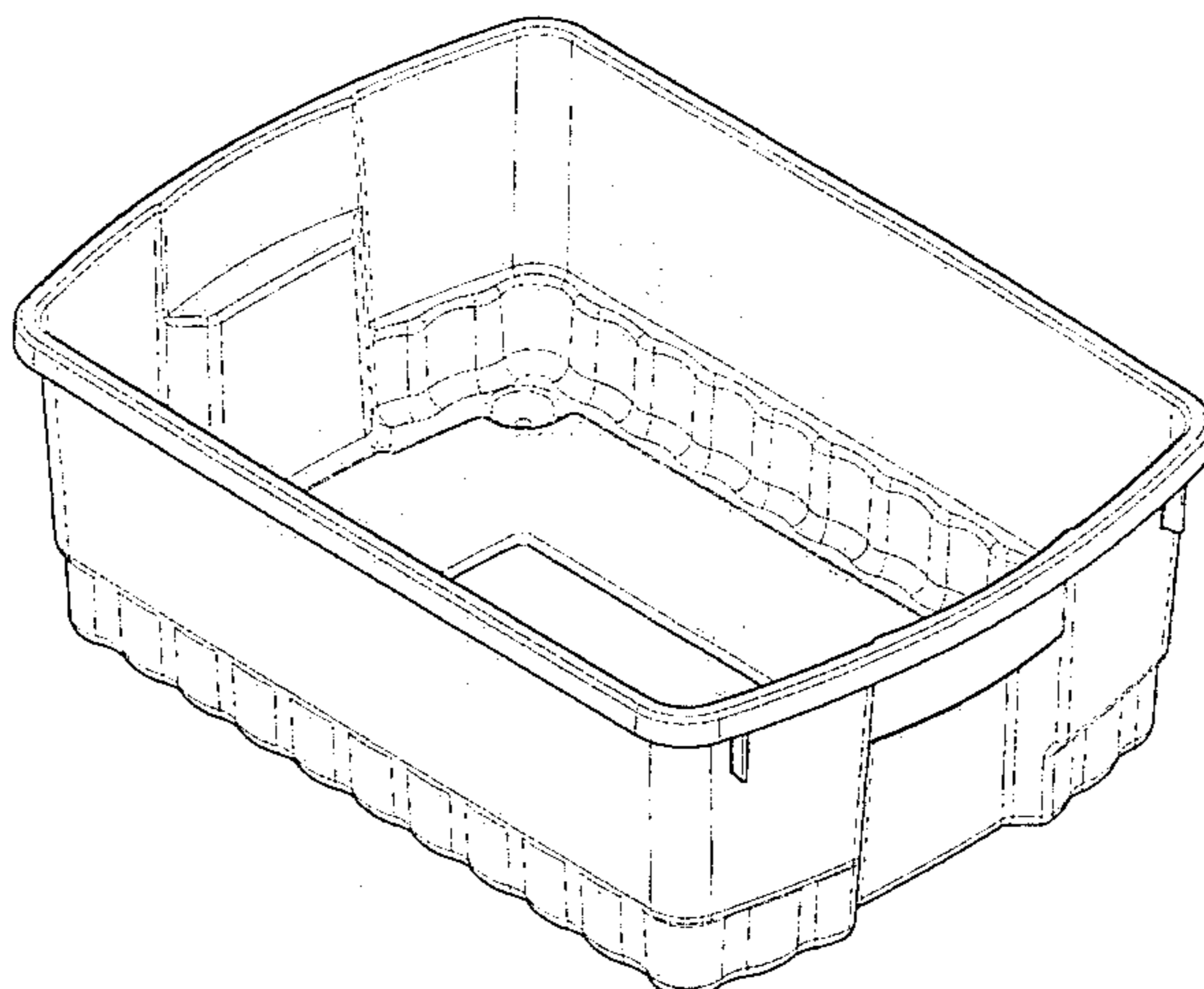
[57] **CLAIM**

The ornamental design for a storage container, as shown and described.

**DESCRIPTION**

FIG. 1 is a top right front perspective view of a storage container showing our new design;  
FIG. 2 is a top plan view thereof;  
FIG. 3 is a front elevational view thereof; the rear elevational view being a mirror image;  
FIG. 4 is a right side elevational view thereof; the left side elevational view being a mirror image; and,  
FIG. 5 is a bottom plan view thereof.

**1 Claim, 5 Drawing Sheets**



**OTHER PUBLICATIONS**

P. 13, storage boxes; Max Klein, Baraboo, Wisconsin 53913. It is believed that the product depicted herein has been on sale for more than one (1) year prior to the application date of this instant application.

Pp. 10 and 11, Storage boxes; Tucker Housewares, 25 Tucker Drive, Leominster, Massachusetts 01453. Publication date 1992-1993.

Label, Storage box, Tamor Plastics Corp., Leominster, Massachusetts 01453. Published at least as early as 1992.

Label, Storage box; Transco Housewares, A Division of Latch Industries, Cleveland, Ohio. Published at least as early as 1992.

P. 8, Storage boxes; Rubbermaid Commercial Products Inc., 3124 Valley Avenue, Winchester, Virginia 22601. Publication date 1992.

Pp. 2 and 7, Storage containers; Rubbermaid Incorporated, 1147 Akron Road, Wooster, Ohio 44691. Publication date 1988.

Price list, Storage boxes; Tamor Plastics Corp., Leominster, Massachusetts 01453. Published at least as early as 1989.

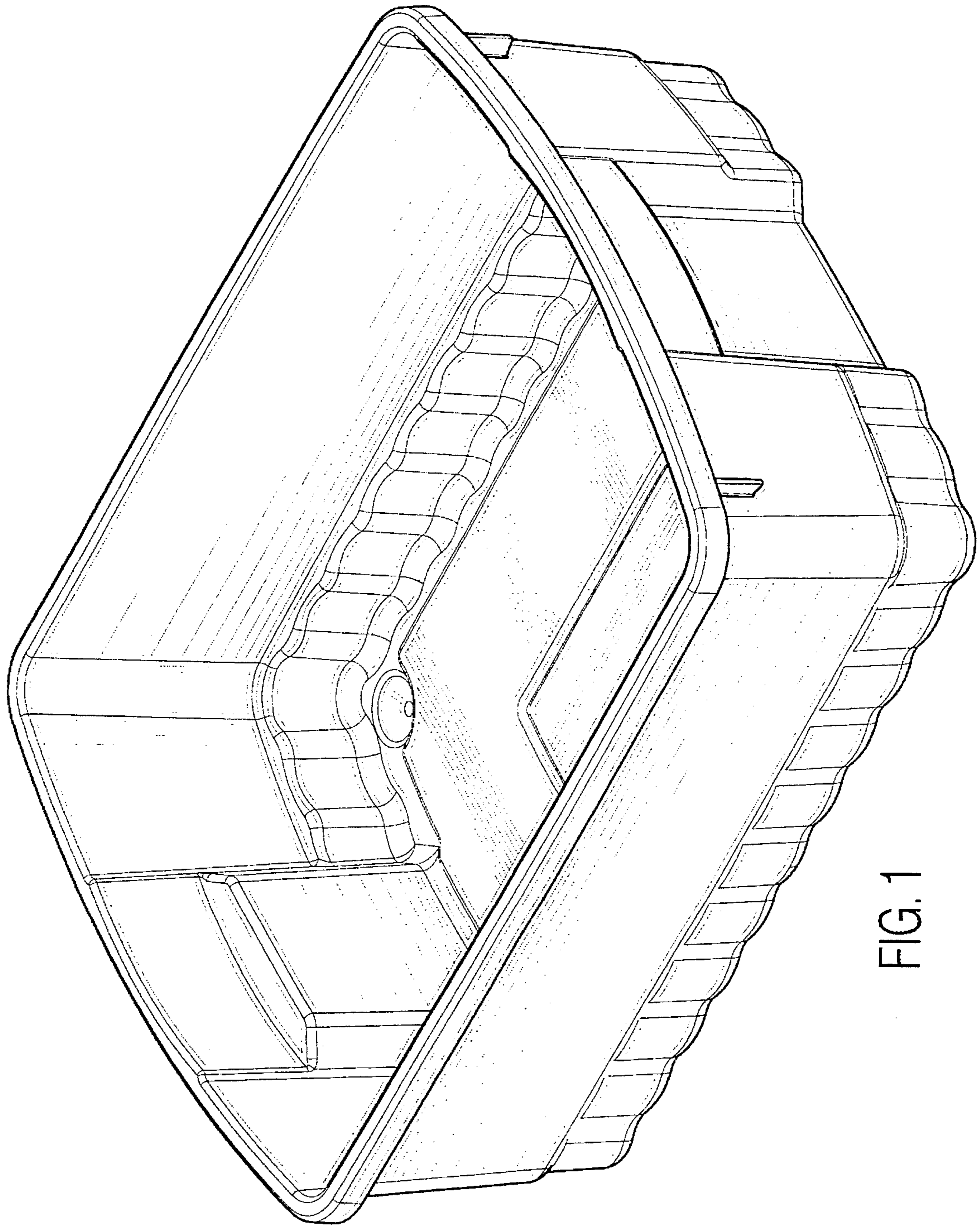


FIG. 1

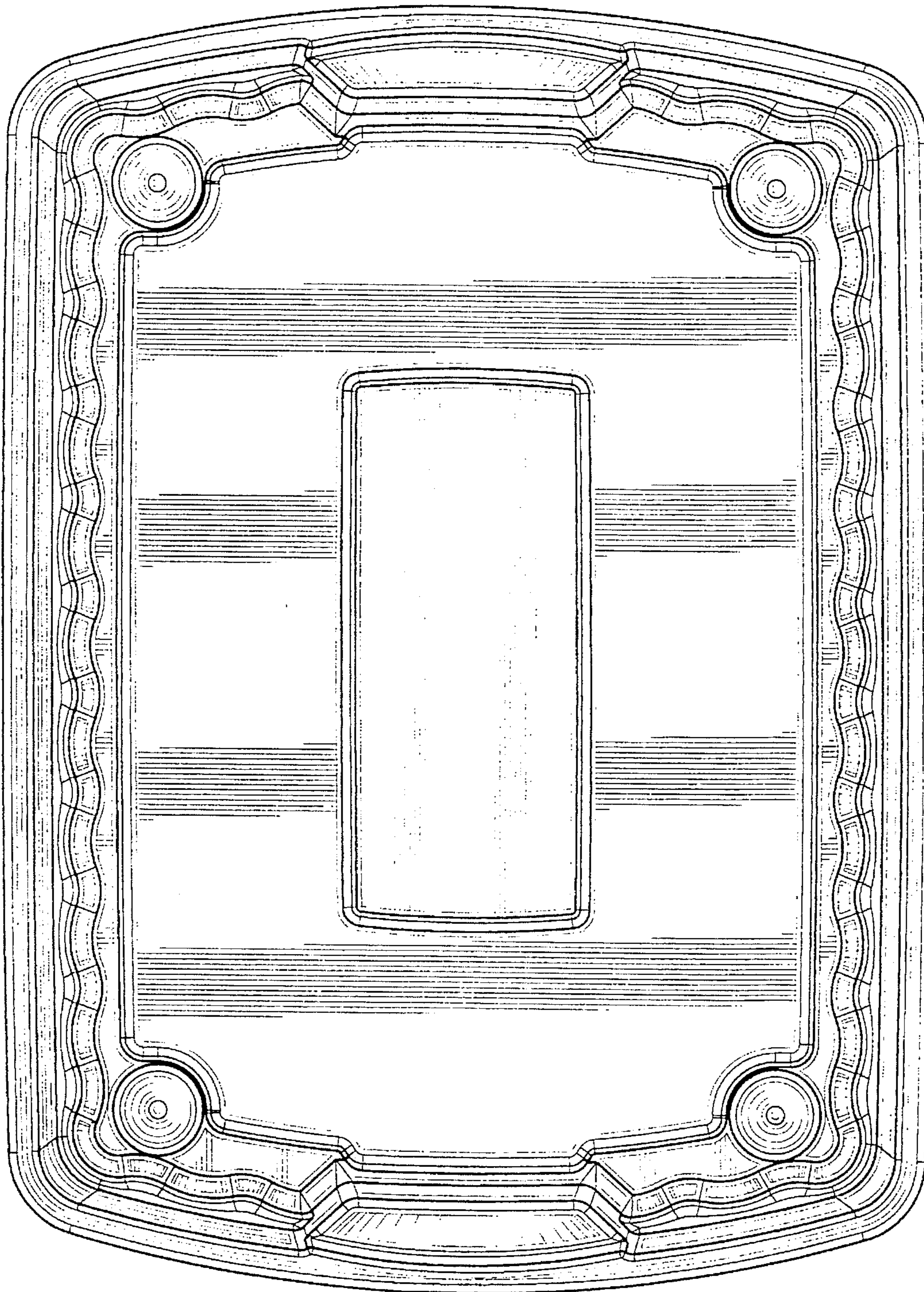


FIG. 2

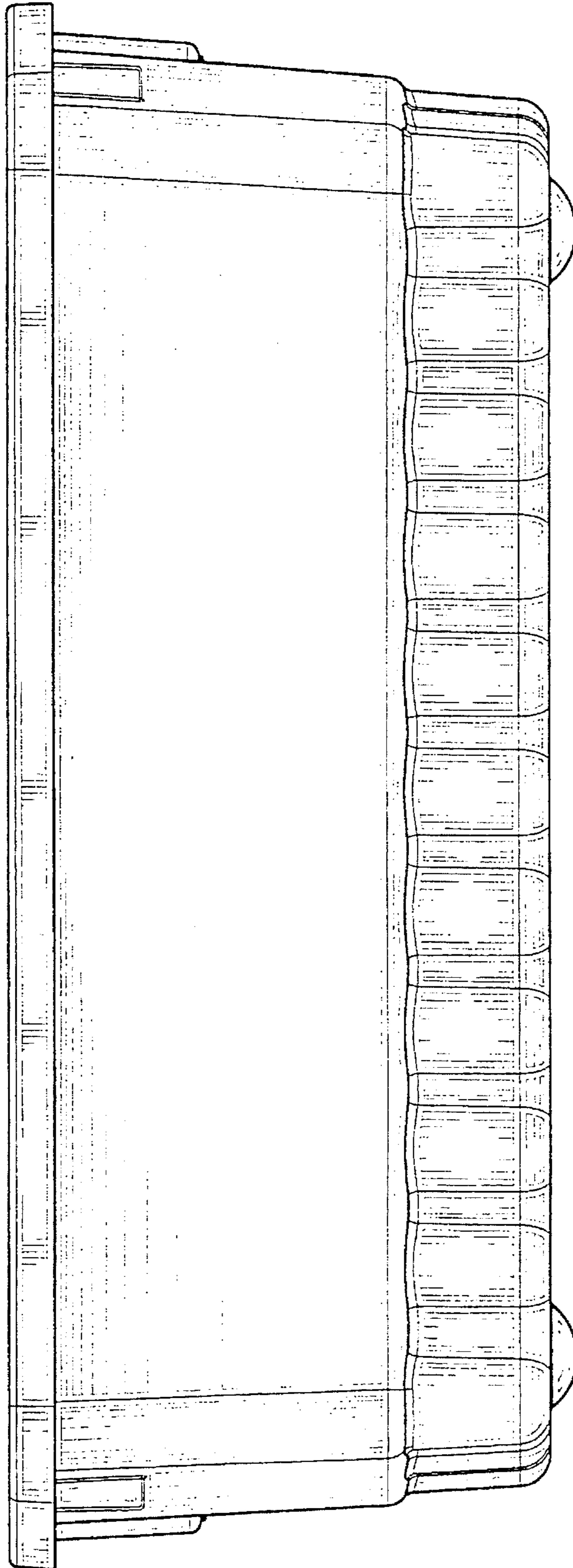


FIG. 3

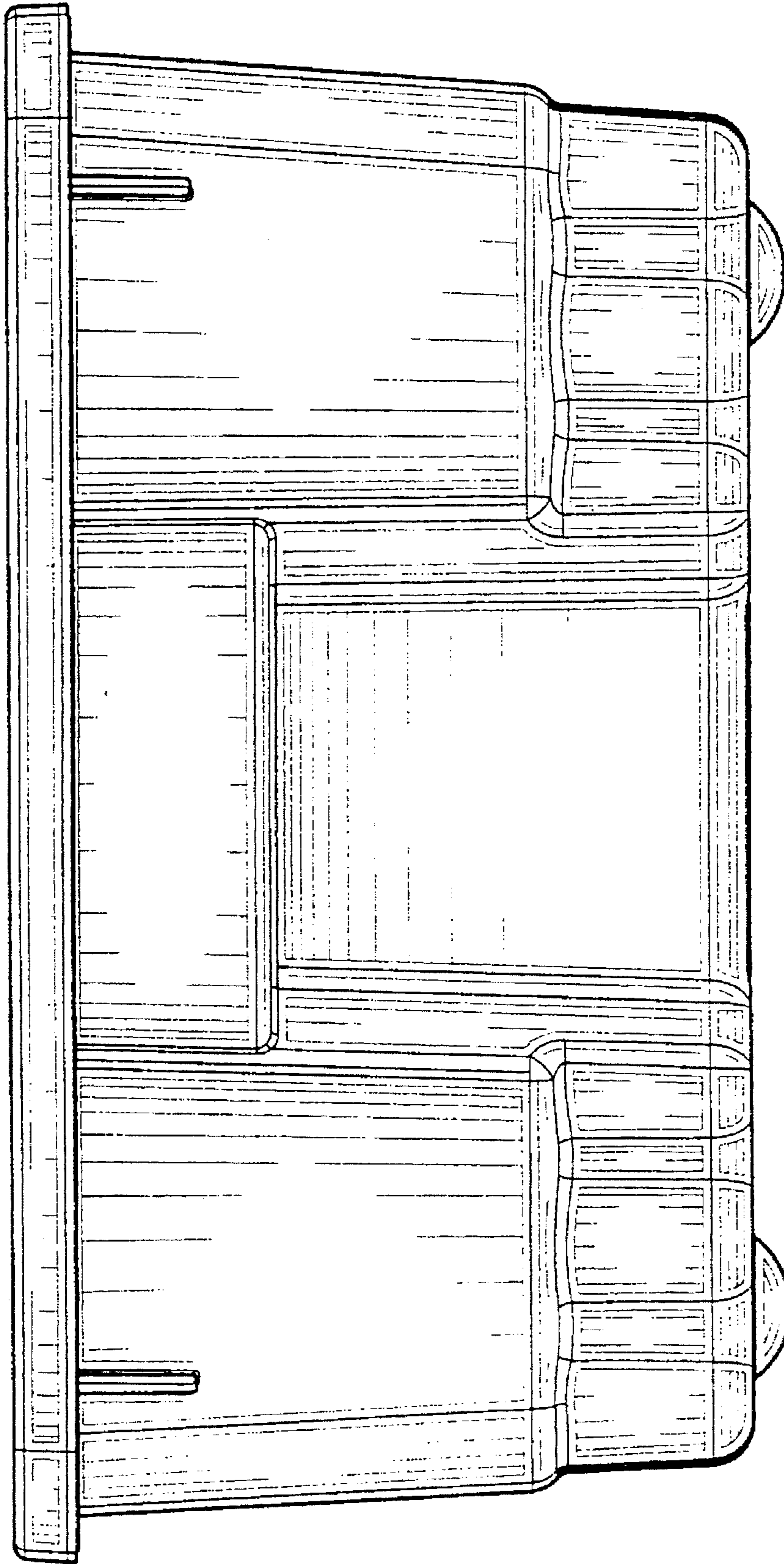


FIG. 4

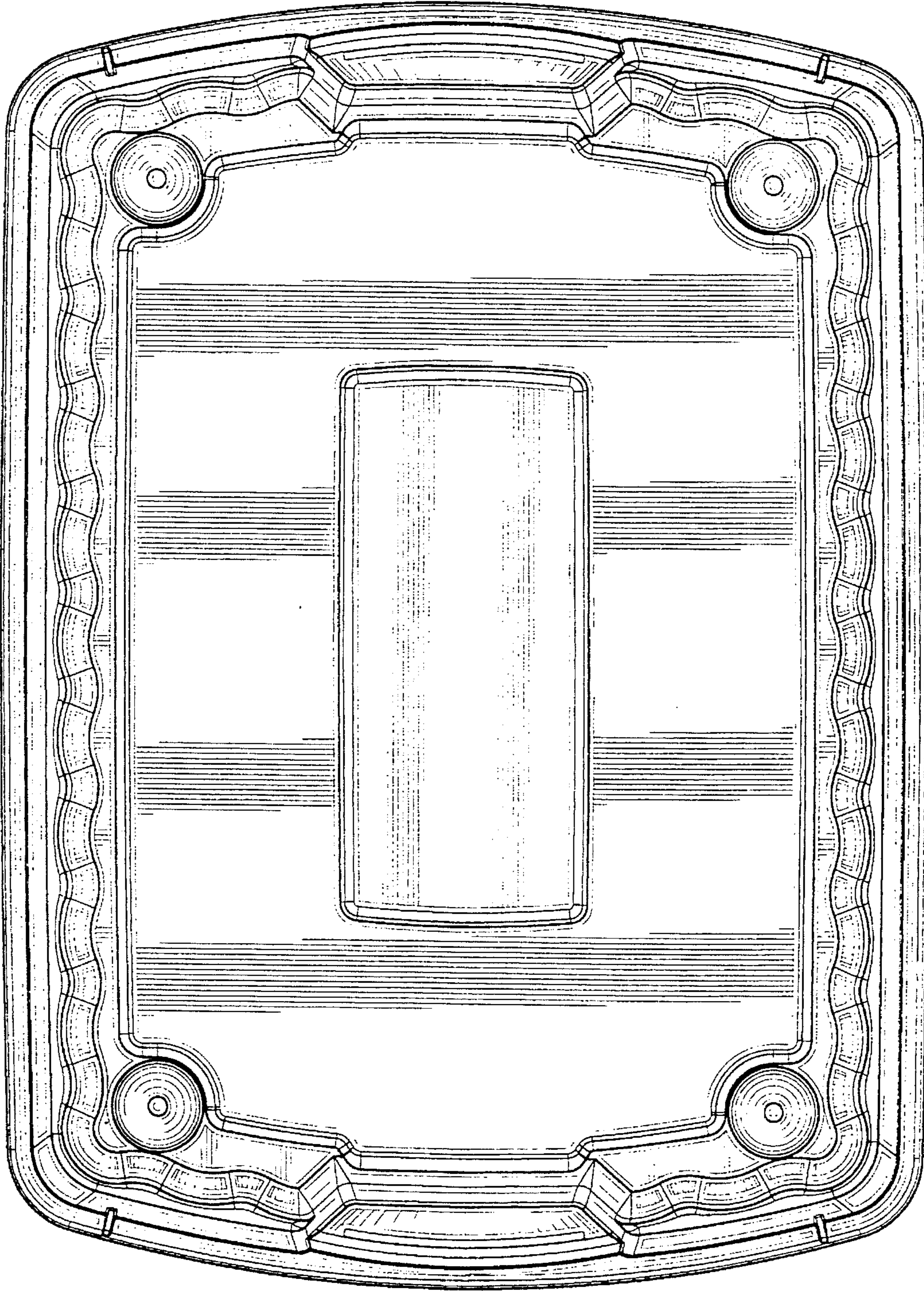


FIG. 5