



US00D372117S

United States Patent [19] Tory

[11] **Patent Number:** **Des. 372,117**
[45] **Date of Patent:** ****Jul. 30, 1996**

[54] **UMBRELLA ANCHOR**

[76] **Inventor:** **John W. Tory**, 1076 Deborah Street,
Fonthill, Ontario, Canada, LOS 1E4

[**] **Term:** **14 Years**

[21] **Appl. No.:** **38,017**

[22] **Filed:** **Apr. 26, 1995**

[52] **U.S. Cl.** **D3/10; 70/59**

[58] **Field of Search** **D3/10, 12, 13,**
D3/14, 15; 70/59

[56] **References Cited**

U.S. PATENT DOCUMENTS

D. 53,437	6/1919	Compeck	D3/10
D. 81,985	9/1930	Knoedler	D3/12
D. 341,241	11/1993	Buckley	D3/10
2,350,799	6/1944	Morris	70/59

Primary Examiner—Louis S. Zarfes
Assistant Examiner—Frank Martinez
Attorney, Agent, or Firm—Patrick J. Hofbauer

[57] **CLAIM**

The ornamental design for an umbrella anchor, as shown.

DESCRIPTION

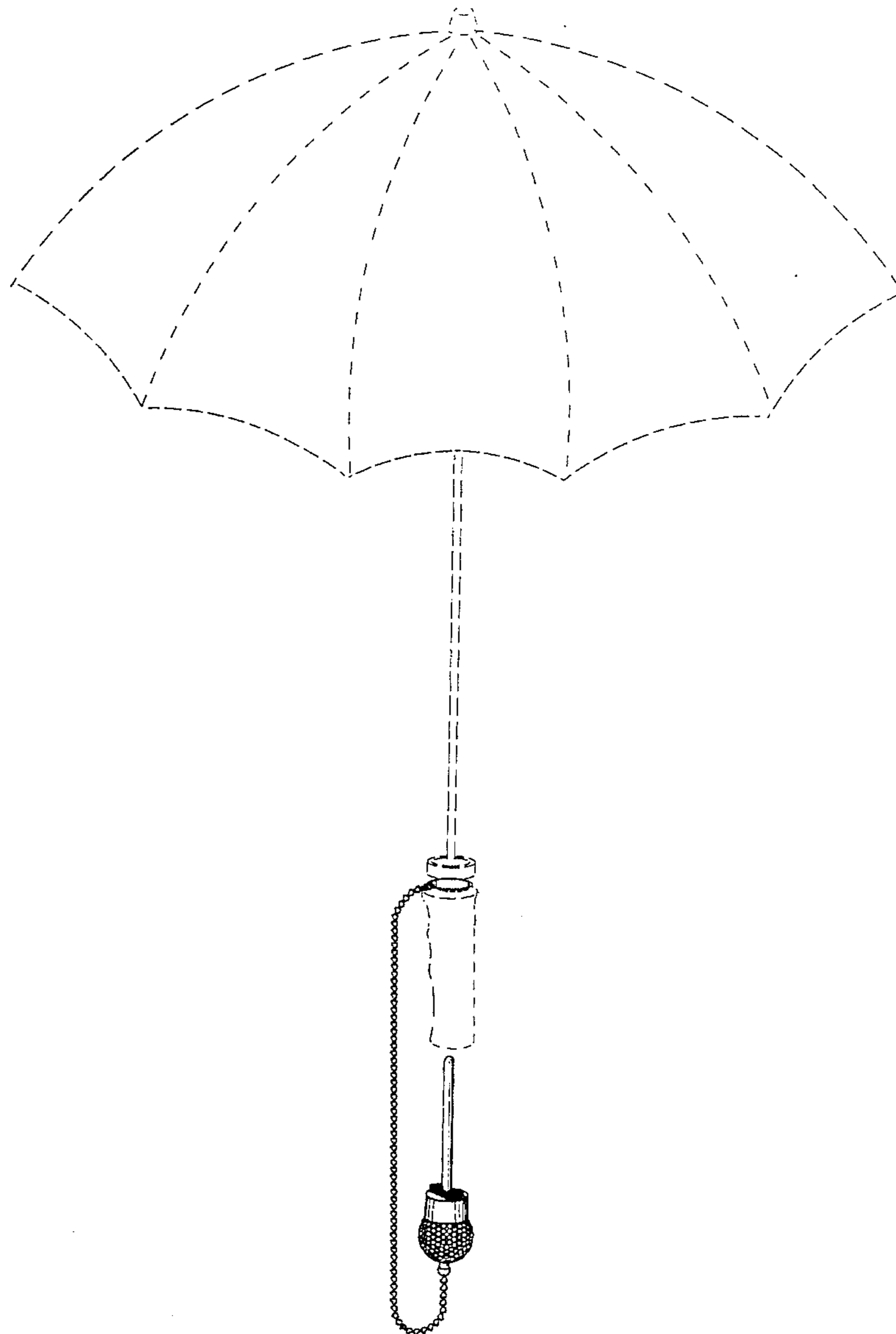
FIG. 1 is a perspective view of an umbrella anchor embodying my design, the dotted line showing of an umbrella is for illustrative purposes only and forms no part of the claimed design;

FIG. 2 is an enlarged side elevational view of the umbrella anchor of FIG. 1;

FIG. 3 is a top plan view of the umbrella anchor of FIG. 2; and,

FIG. 4 is a bottom plan view of the umbrella anchor of FIG. 2.

1 Claim, 2 Drawing Sheets



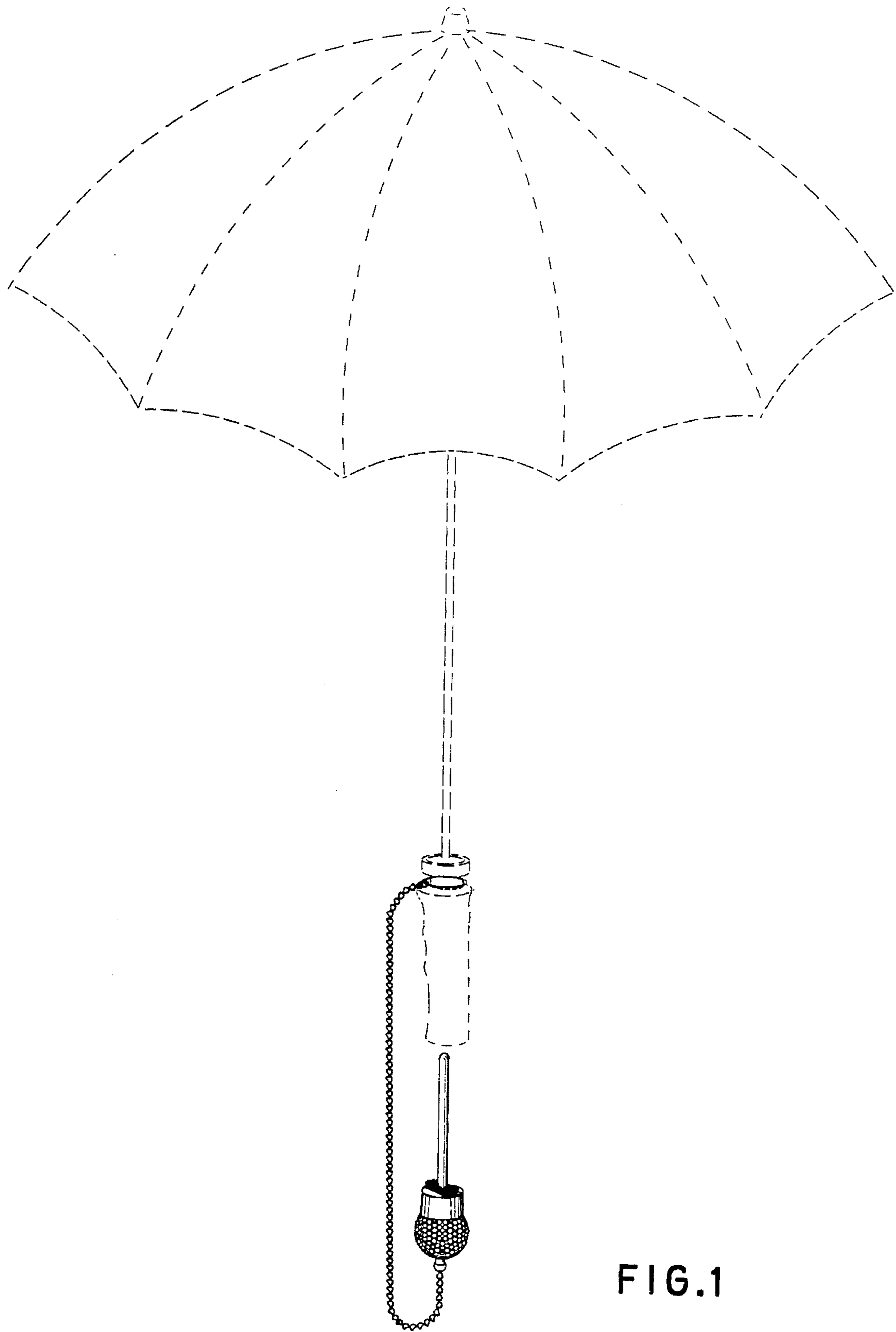


FIG. 1

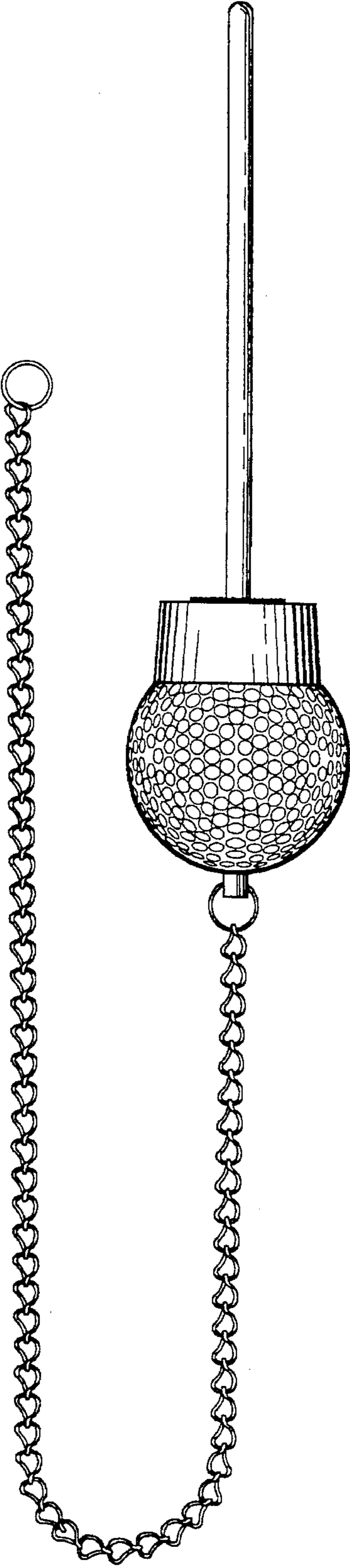


FIG. 2

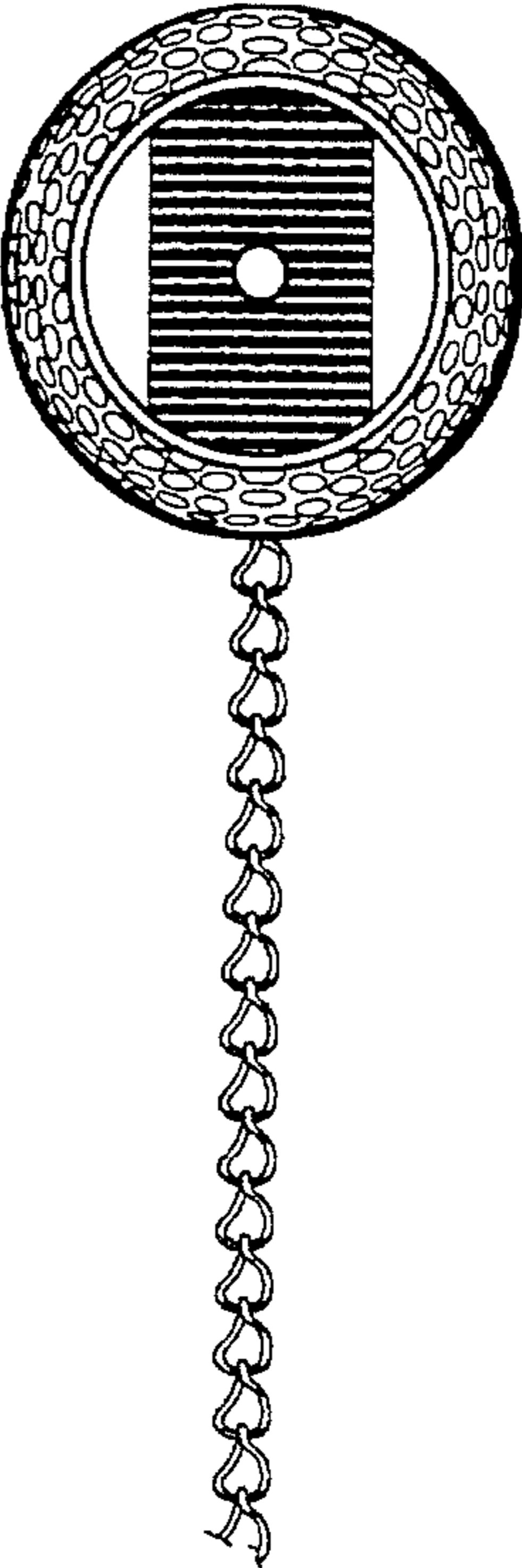


FIG. 3

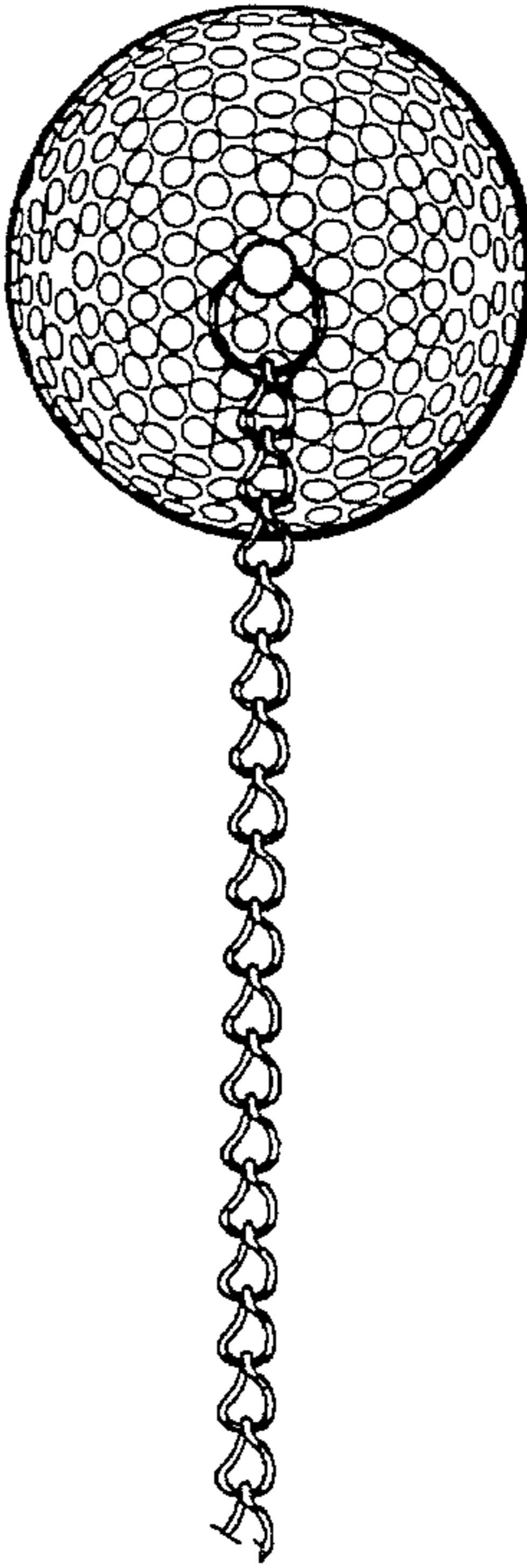


FIG. 4