



US00D372113S

United States Patent [19]

[11] Patent Number: **Des. 372,113**

Palmer et al.

[45] Date of Patent: ****Jul. 30, 1996**

[54] **BOOT DONNING AND REMOVAL AID**

[76] Inventors: **Reginald G. Palmer**, Apt. 1211, 250
Scarlett Road, Toronto, Ontario,
Canada, M6N 4X5; **Brazilio Rosadiuk**,
Unit 19, 3065 Lenester Drive,
Mississauga, Ontario, Canada, L5C 2B8

530,080	12/1894	Bisanz .	
606,947	7/1898	Strate .	
1,293,318	2/1919	Boissiere et al. .	
4,637,533	1/1987	Black	D2/642 X
4,666,070	5/1987	McClung	223/117
4,756,453	7/1988	Pettit et al.	223/111
4,896,803	1/1990	Wilkins	223/117 X
5,050,784	9/1991	Turner	223/114
5,086,959	2/1992	Jerry et al.	223/114

[**] Term: **14 Years**

[21] Appl. No.: **41,679**

Primary Examiner—Paula A. Mortimer
Attorney, Agent, or Firm—Baker & Botts, L.L.P.

[22] Filed: **Jul. 21, 1995**

[52] U.S. Cl. **D2/641**

[57] **CLAIM**

[58] Field of Search D2/641, 642; 223/112,
223/113, 114, 115, 116, 117, 118, 119

The ornamental design for a boot donning and removal aid,
as shown and described.

[56] **References Cited**

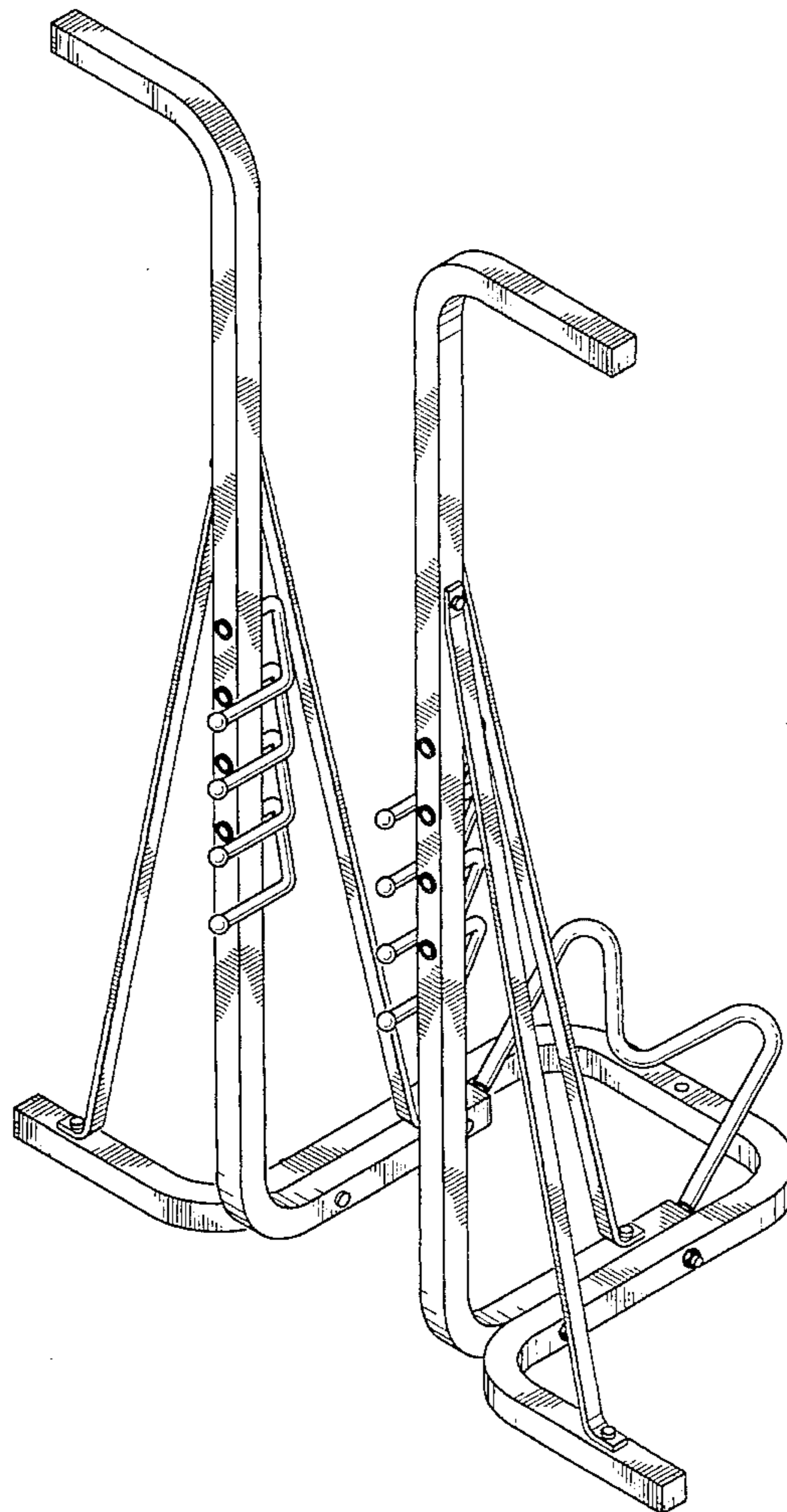
DESCRIPTION

U.S. PATENT DOCUMENTS

28,927	6/1860	Wheeler .	
192,485	6/1877	Buzzell .	
D. 259,300	5/1981	Vreeken	D2/641
D. 259,301	5/1981	Cowart et al.	D2/642
312,321	2/1885	Blohm .	
D. 317,077	5/1991	Schulz	D2/642
335,415	2/1886	Benham .	
D. 337,881	8/1993	Peeler	D2/641
459,680	9/1891	Donauer .	

FIG. 1 is a front perspective view of a boot donning and removal aid showing our new design;
FIG. 2 is a front elevational view of FIG. 1;
FIG. 3 is a right side elevational view of FIG. 1, the left side being a mirror image thereof;
FIG. 4 is a top plan view thereof;
FIG. 5 is a rear elevational view thereof; and,
FIG. 6 is a bottom plan view thereof.

1 Claim, 4 Drawing Sheets



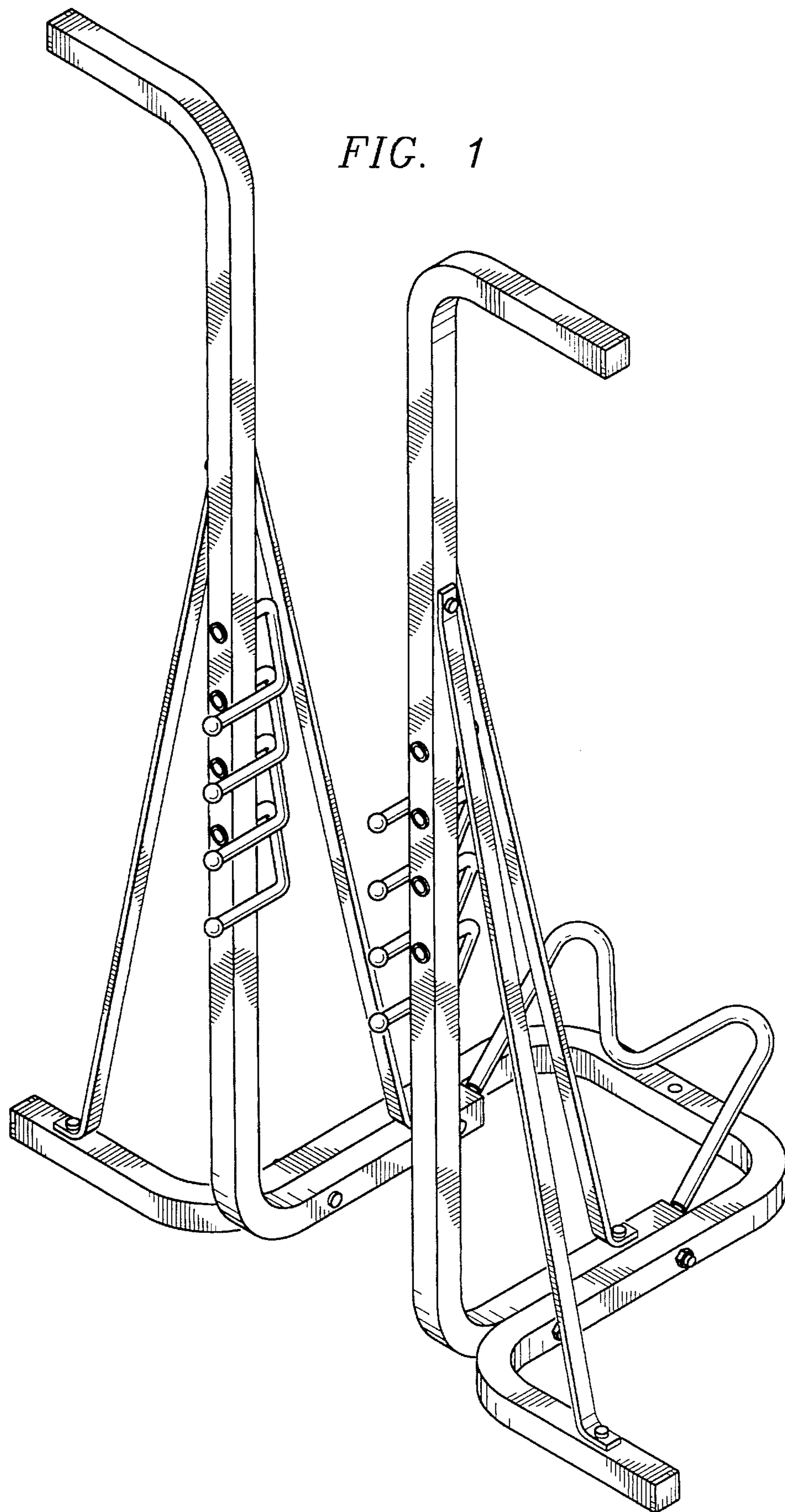
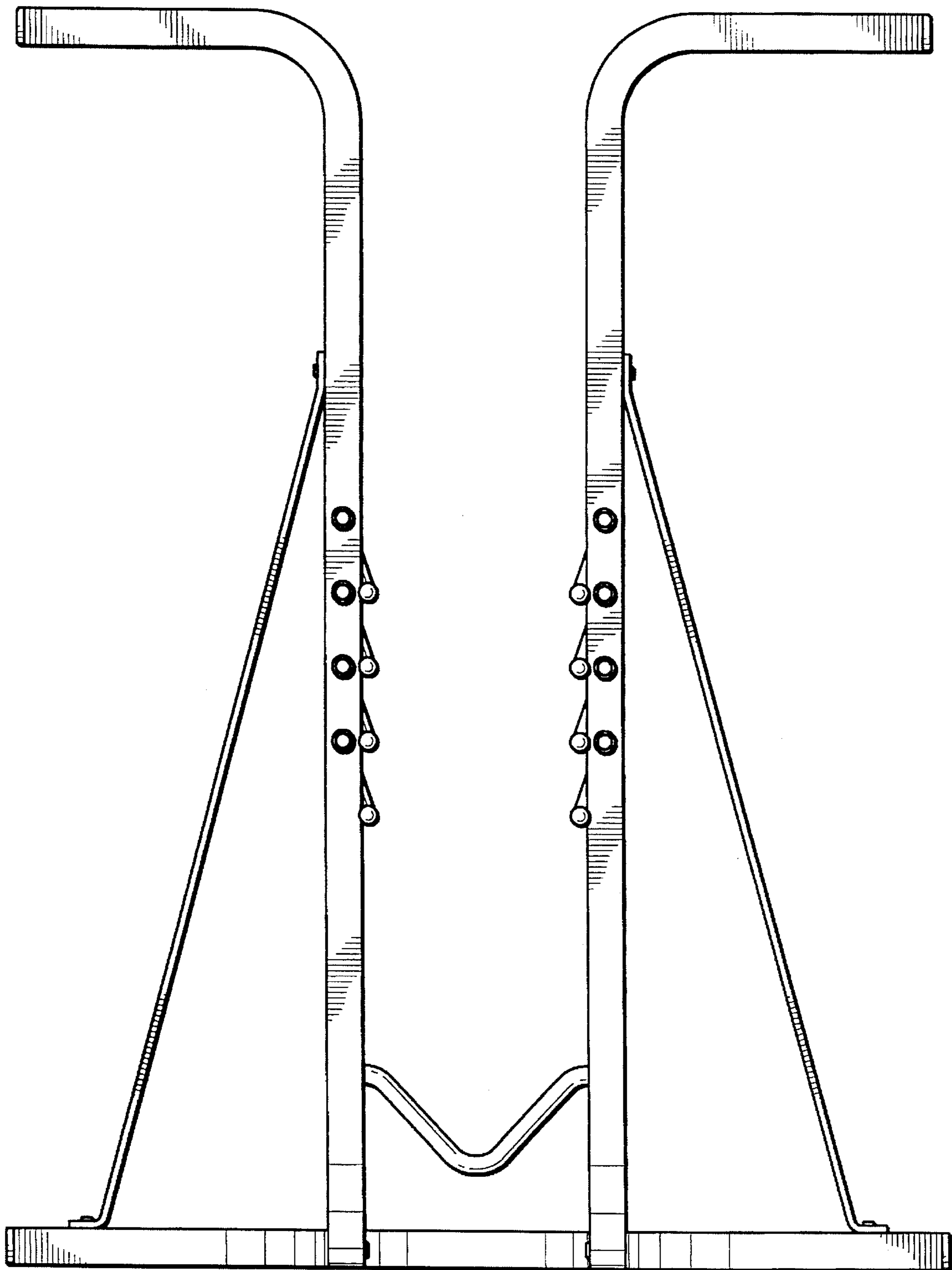


FIG. 2



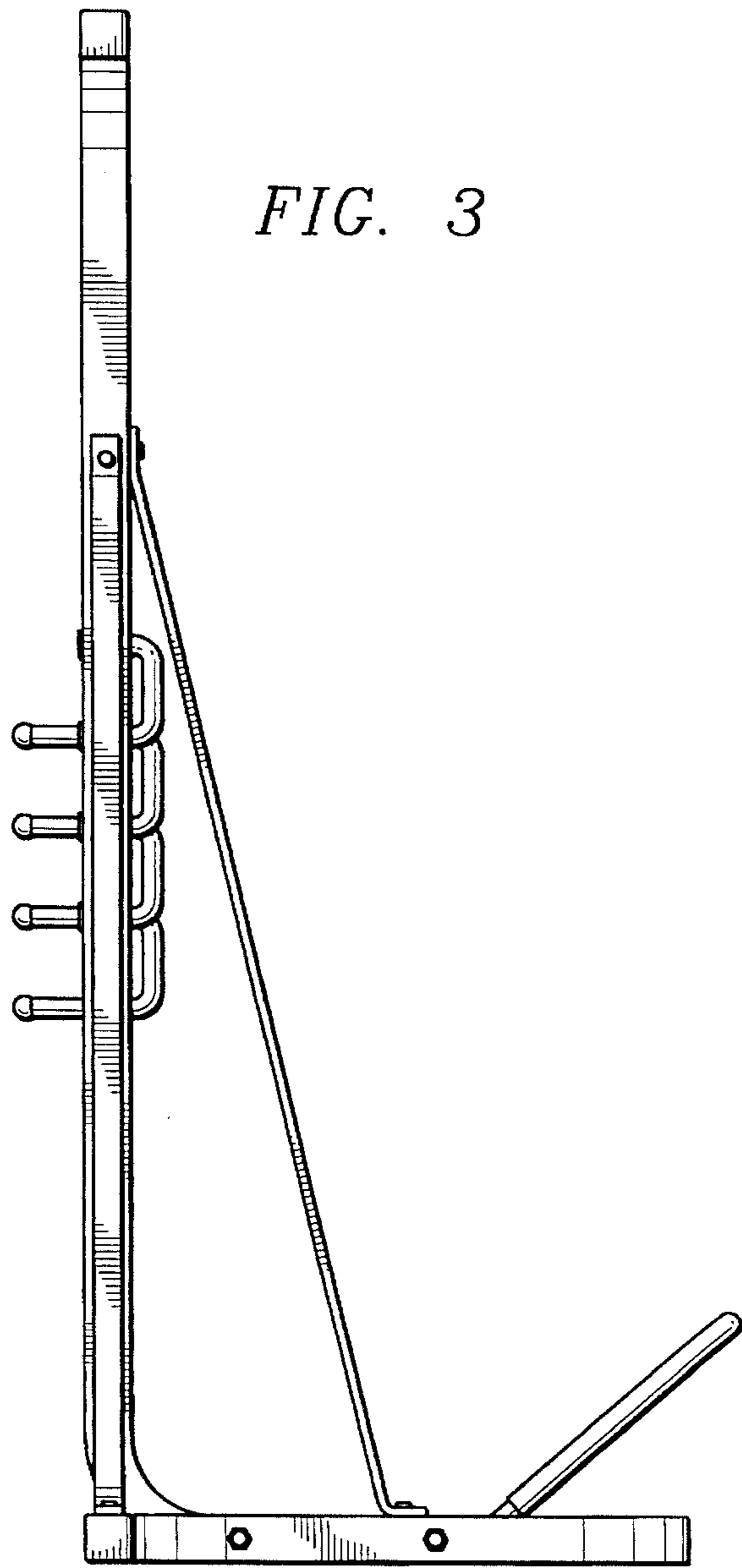


FIG. 3

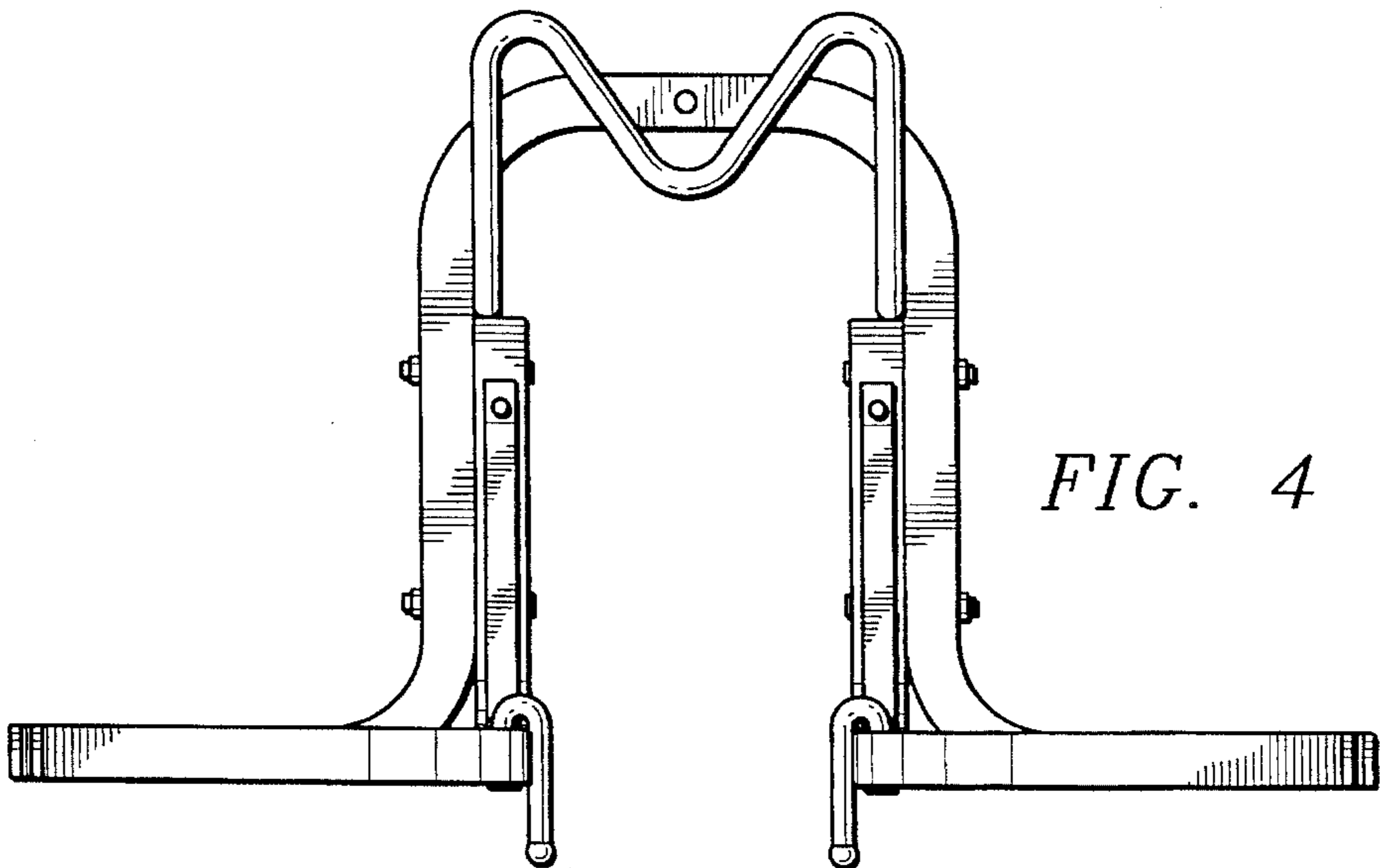


FIG. 4

