



US00D372108S

United States Patent [19]
Franson

[11] **Patent Number: Des. 372,108**

[45] **Date of Patent: **Jul. 23, 1996**

[54] **WINDOW COMPONENT EXTRUSION**

D. 353,470 12/1994 Cole D25/124
D. 357,076 4/1995 Franson D25/124

[75] Inventor: **Jeffrey R. Franson**, Kent, Wash.

[73] Assignee: **Mikron Industries**, Kent, Wash.

[**] Term: **14 Years**

Primary Examiner—Doris Clark
Attorney, Agent, or Firm—Seed and Berry

[21] Appl. No.: **39,565**

[22] Filed: **May 31, 1995**

[52] U.S. Cl. **D25/124**

[58] **Field of Search** D25/52, 60, 124;
49/DIG. 2, 504-505; 52/204.5, 204.56,
204.51, 204.1, 730.3

[57] **CLAIM**

The ornamental design for a window component extrusion, as shown and described.

DESCRIPTION

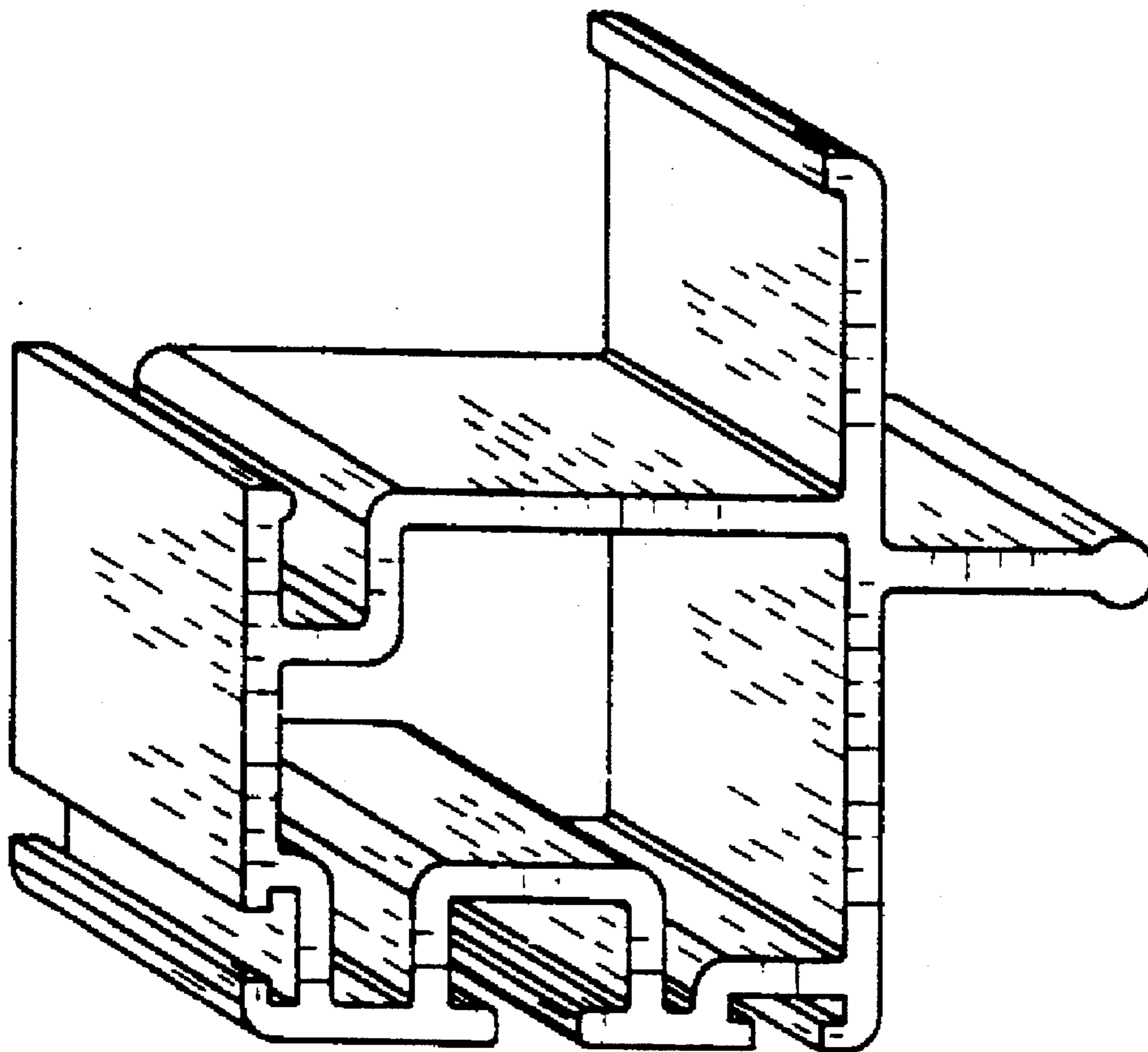
FIG. 1 is a top right perspective view of a window component extrusion showing my new design, the window component extrusion being of indefinite length; and, FIG. 2 is a bottom left perspective view thereof.

[56] **References Cited**

U.S. PATENT DOCUMENTS

D. 308,421 6/1990 Westphal et al. D25/124

1 Claim, 1 Drawing Sheet



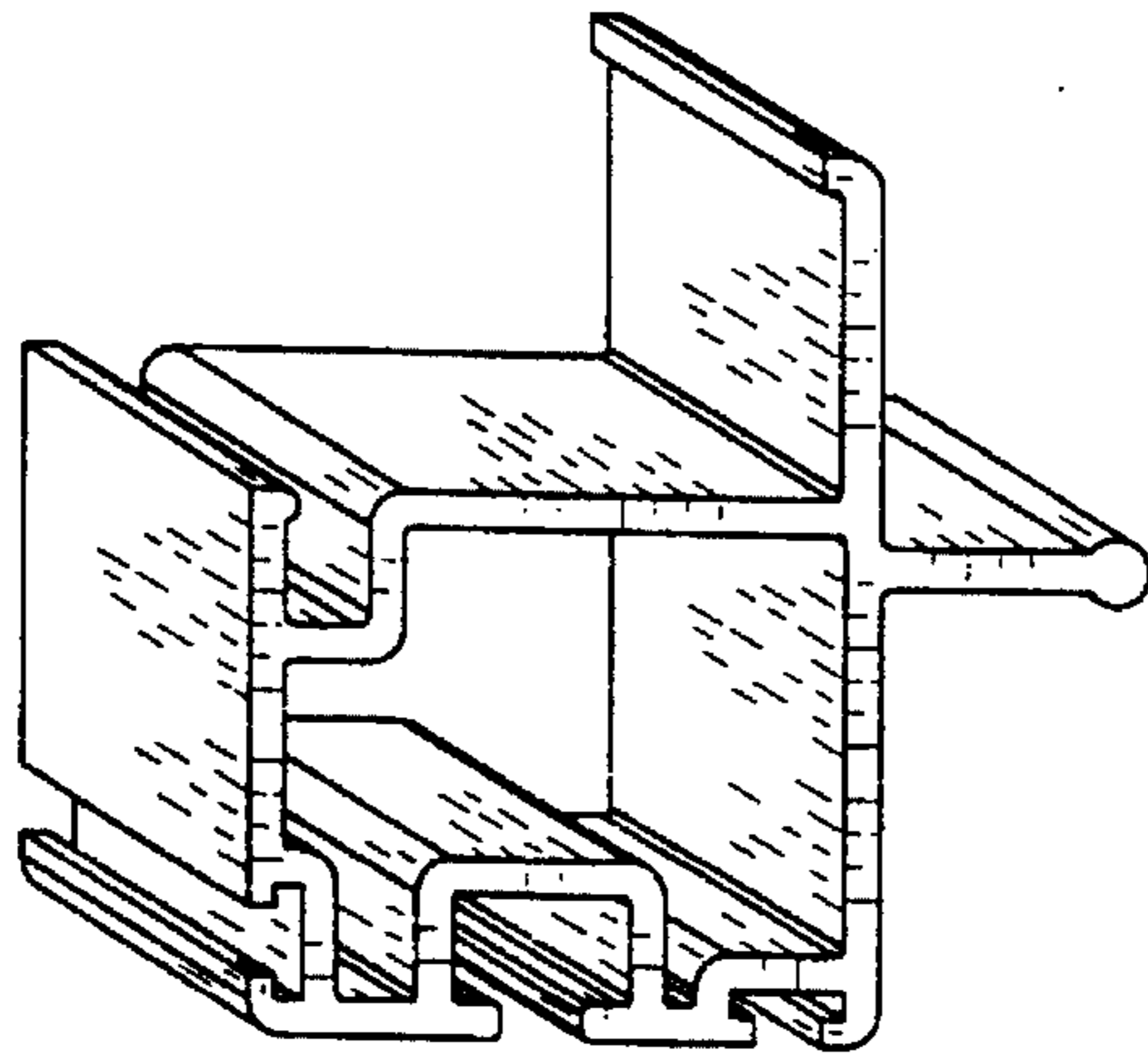


FIG. 1

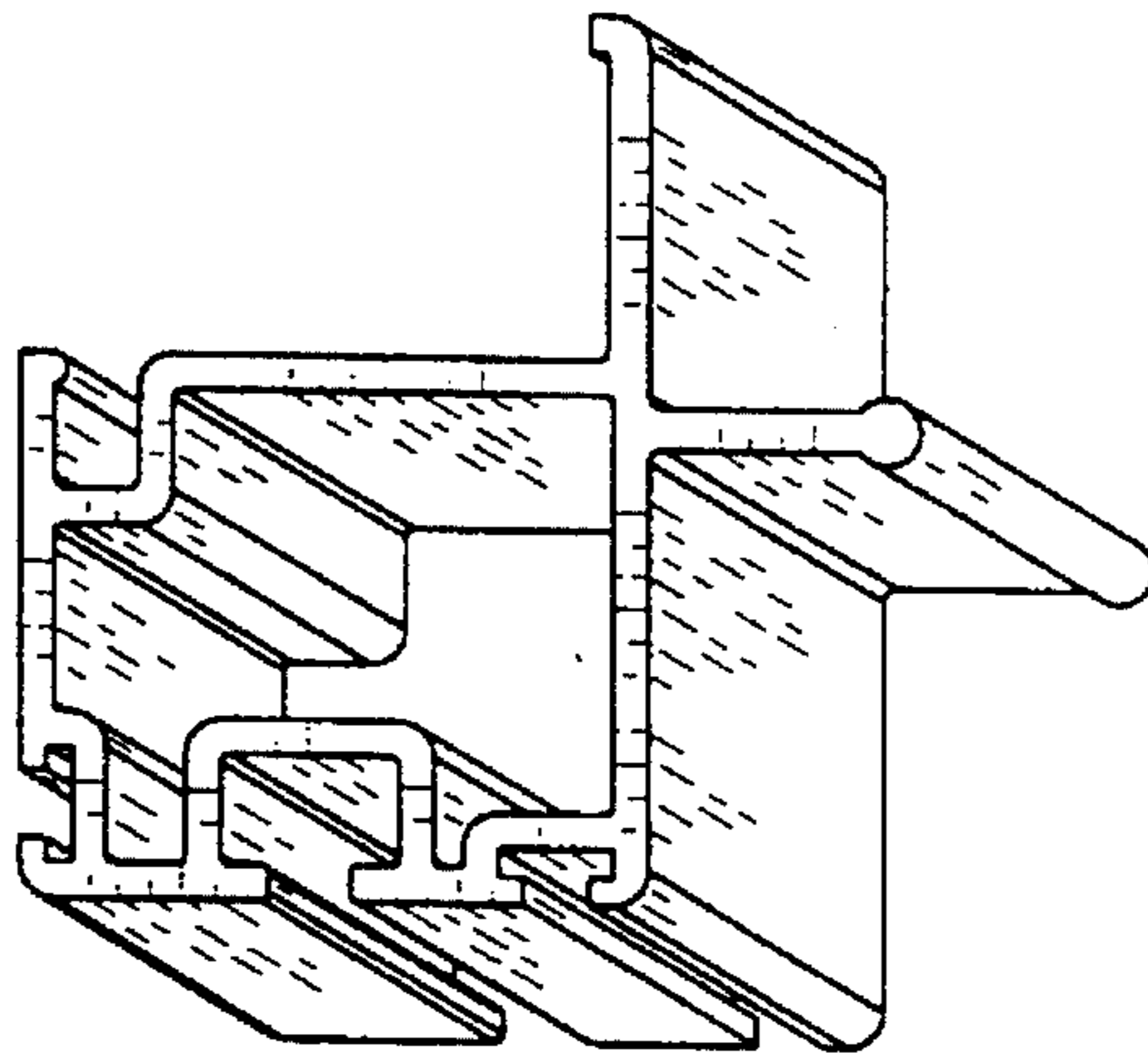


FIG. 2