



US00D372104S

United States Patent [19]
Scott

[11] **Patent Number:** **Des. 372,104**
[45] **Date of Patent:** ****Jul. 23, 1996**

[54] **DOOR VIEWER COVER**

[76] **Inventor:** **William Scott**, 2160 Thousand Oaks
Dr., Apt. 117, San Antonio, Tex. 78232

[**] **Term:** **14 Years**

[21] **Appl. No.:** **37,767**

[22] **Filed:** **Apr. 20, 1995**

[52] **U.S. Cl.** **D25/48**

[58] **Field of Search** **D25/48; 49/163,**
49/171; 52/106

[56] **References Cited**

U.S. PATENT DOCUMENTS

D. 179,029	10/1956	Nielsen	D25/48
4,763,444	8/1988	Ritchie	49/171
5,161,328	11/1992	Trave	49/171

Primary Examiner—Doris Clark

Attorney, Agent, or Firm—Harold H. Dutton, Jr.; Wm. C. L. Jamison; Diane F. Liebman

[57] **CLAIM**

The ornamental design for a door viewer cover, as shown and described.

DESCRIPTION

FIG. 1 is a perspective view of a door viewer cover showing my new design;

FIG. 2 is a front view thereof;

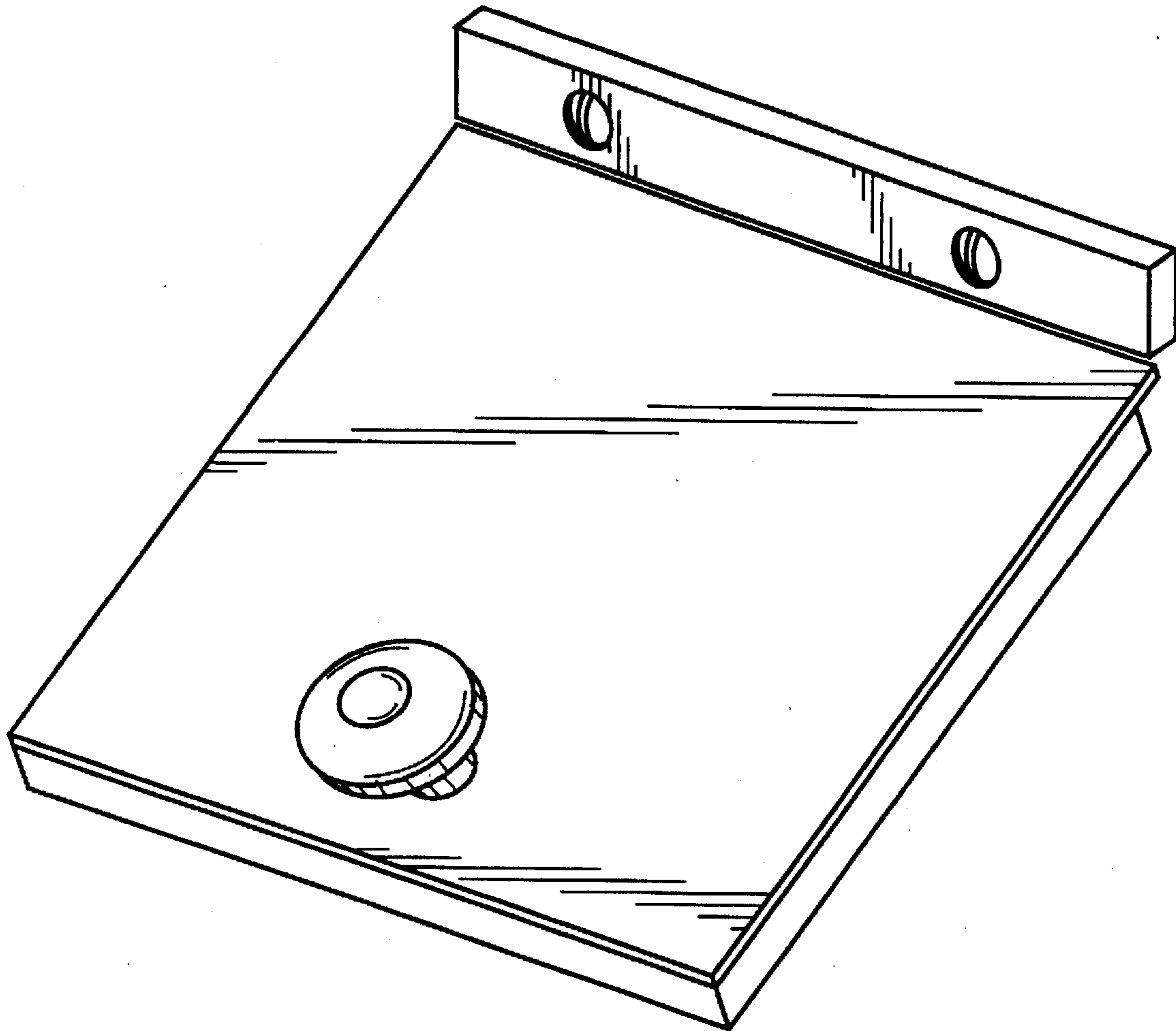
FIG. 3 is a left side view thereof;

FIG. 4 is a right side view thereof with a door and viewer shown in dotted lines for illustrative purposes only, and form no part of the claimed design;

FIG. 5 is a top view thereof; and,

FIG. 6 is a bottom view thereof.

1 Claim, 3 Drawing Sheets



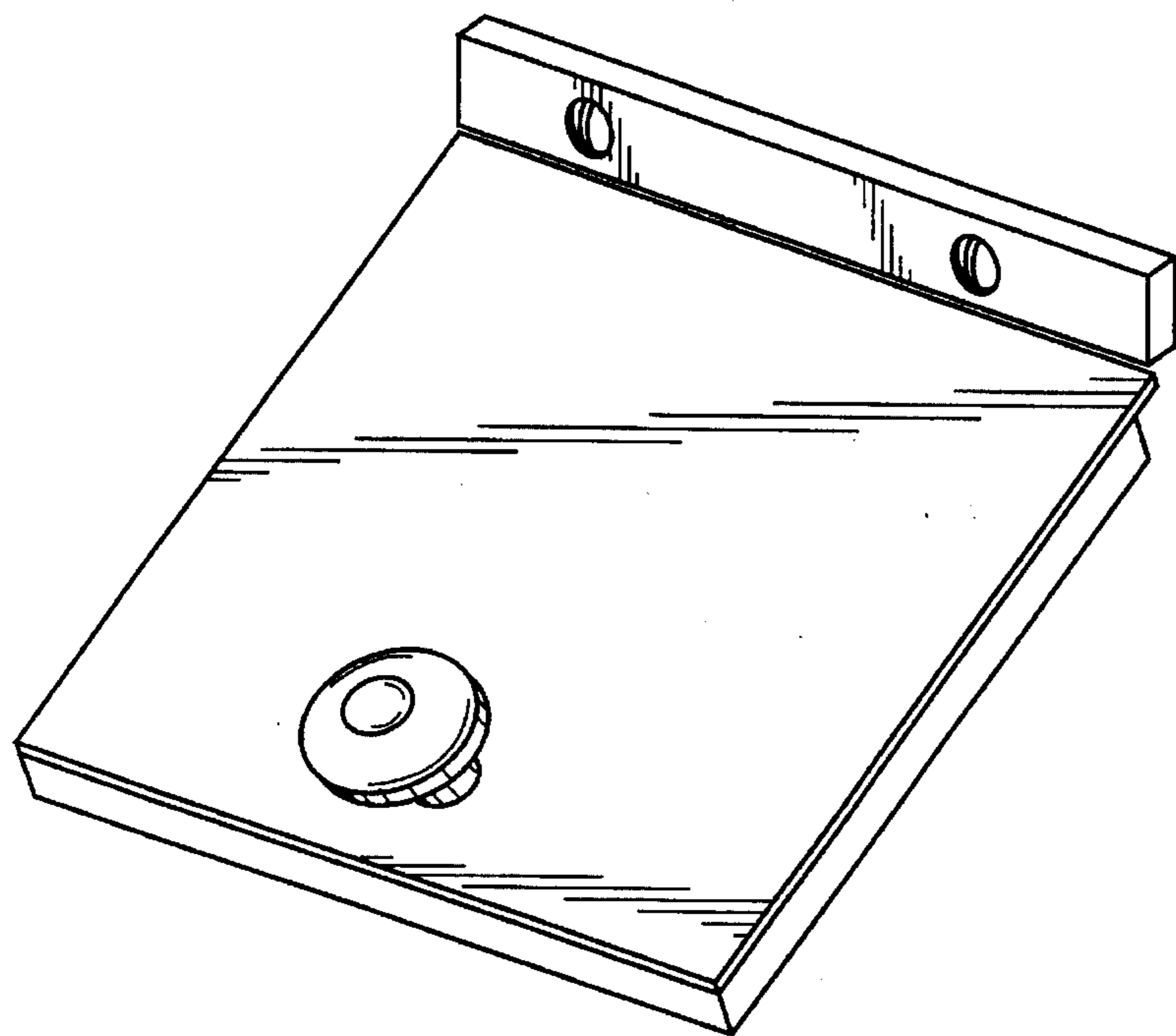


FIG. 1

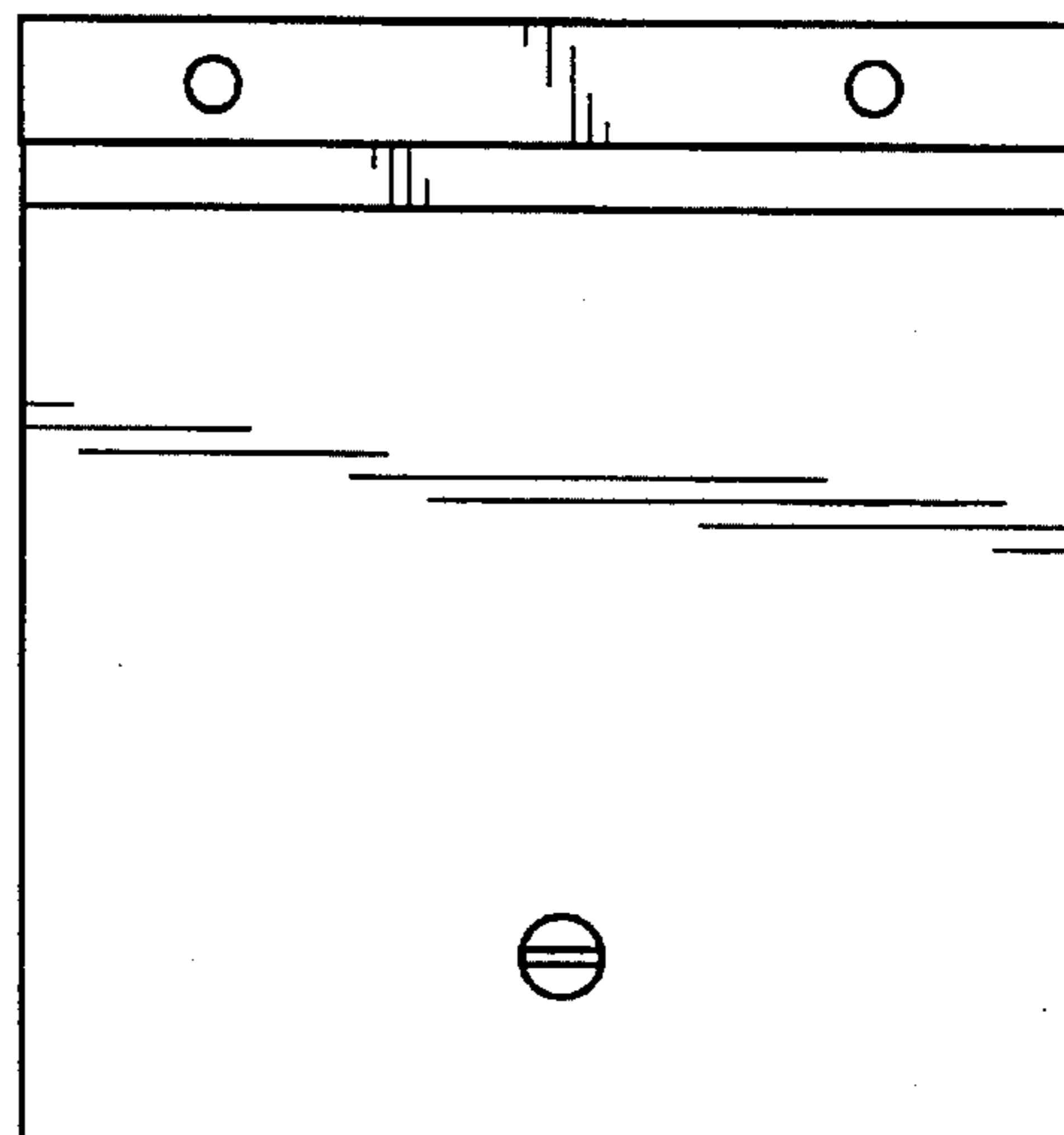


FIG. 2

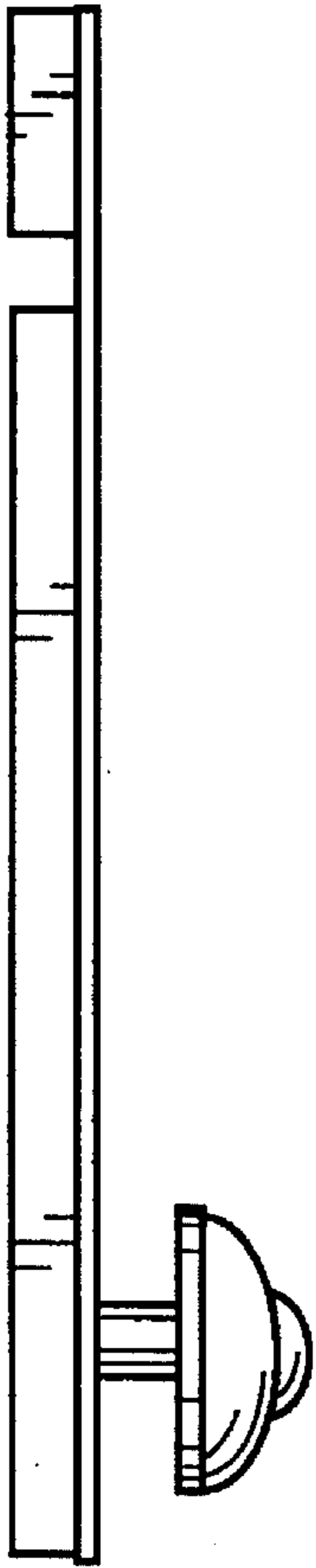


FIG. 3

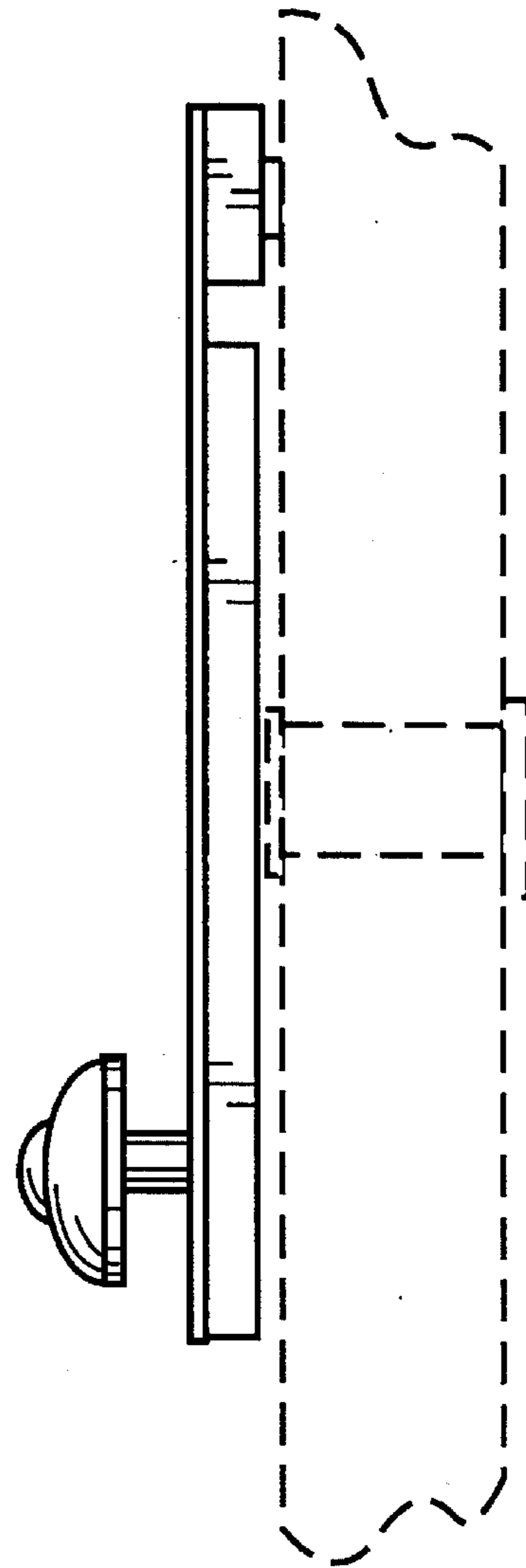


FIG. 4

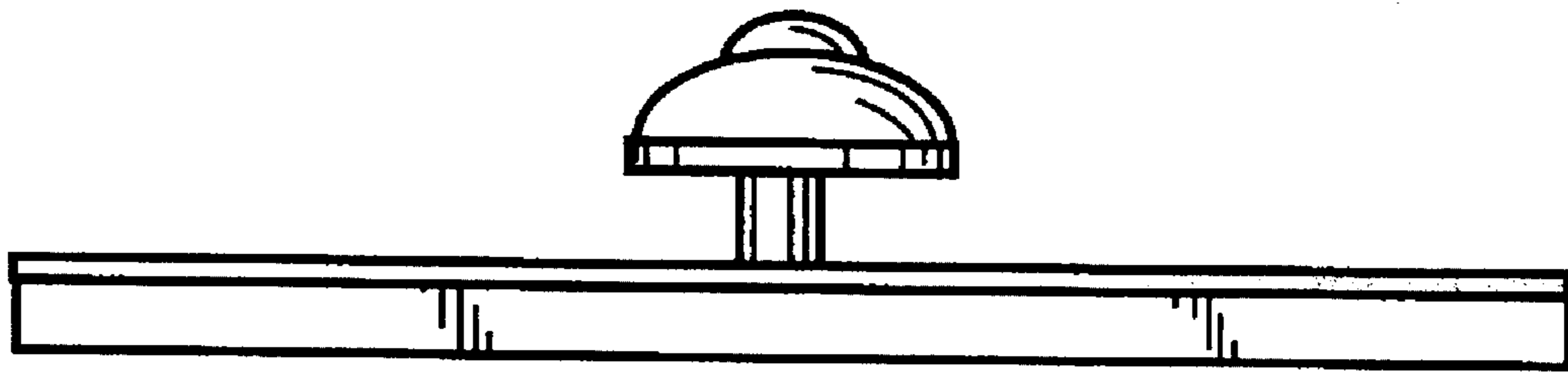


FIG. 5

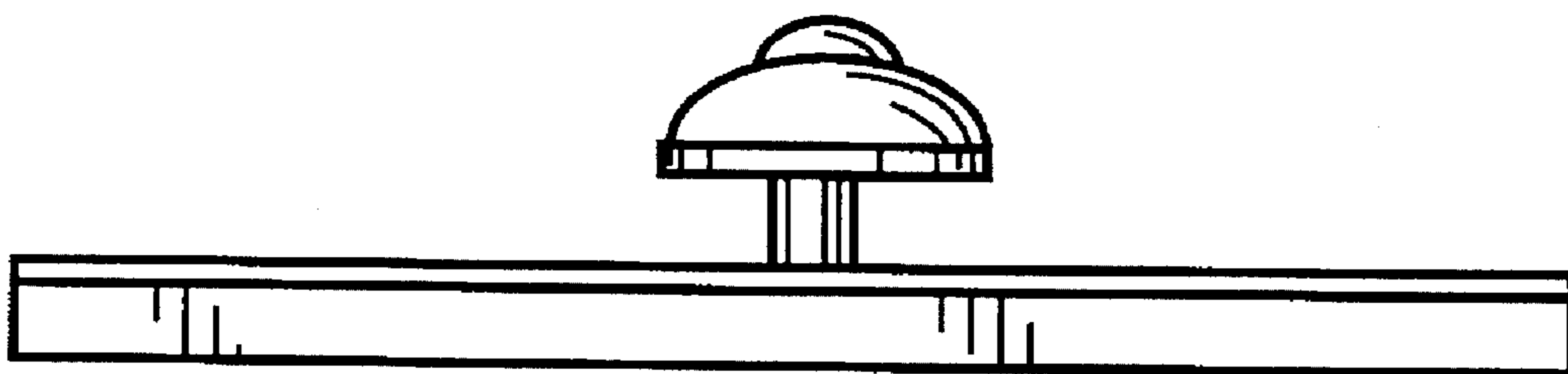


FIG. 6