



US00D372102S

United States Patent [19]

[11] Patent Number: **Des. 372,102**

Peacock et al.

[45] Date of Patent: ****Jul. 23, 1996**

[54] **LIDDED CONTAINER**

[75] Inventors: **Angus G. Peacock**, Kent; **Ronald A. Harrison**, Devonshire, both of United Kingdom

[73] Assignee: **Unipath Limited**, Hampshire, United Kingdom

[**] Term: **14 Years**

[21] Appl. No.: **34,922**

[22] Filed: **Feb. 2, 1995**

[30] **Foreign Application Priority Data**

Aug. 3, 1994 [GB] United Kingdom 2040739

[52] U.S. Cl. **D24/224**; D24/216; D24/217

[58] Field of Search D24/217, 216, D24/224; 422/236, 237; 435/303.2; 215/6; 220/306, 456; 206/499

[56] **References Cited**

U.S. PATENT DOCUMENTS

D. 237,632	11/1975	Lederer	D24/224
D. 267,269	12/1982	Jukes	D24/232
3,106,445	10/1963	Cline	D24/217 X
3,483,089	12/1969	Brewer	435/303.2
4,188,265	2/1980	Larro	435/303.2

Primary Examiner—Louis S. Zarfaz
Assistant Examiner—I. Simmons
Attorney, Agent, or Firm—Cushman Darby & Cushman

[57] **CLAIM**

The ornamental design for a lidded container, as shown and described.

DESCRIPTION

FIG. 1 is a perspective view of a lidded container showing our new design from the front, right side and top, with two of the lid clamping clips thereof released and the carrying handle thereof raised;

FIG. 2 is a front elevational view thereof with the lid clamping clips thereof fastened and the carrying handle thereof lowered;

FIG. 3 is a right side elevational view thereof;

FIG. 4 is a rear elevational view thereof;

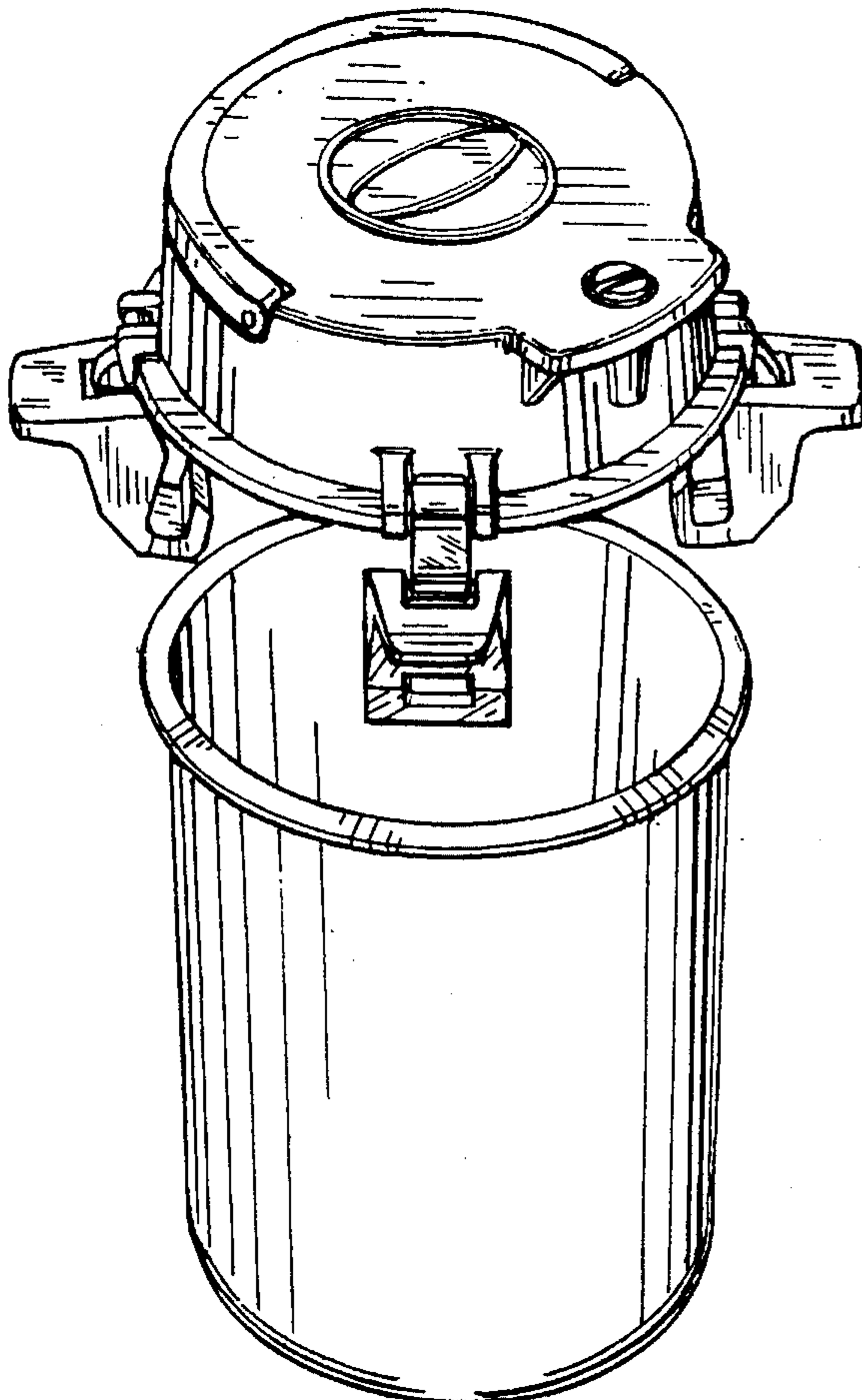
FIG. 5 is a top plan view thereof;

FIG. 6 is a bottom plan view thereof; and,

FIG. 7 is a perspective view thereof from the same direction as FIG. 1, with the lid thereof exploded away from the body thereof.

The left side has an expected appearance, given the views shown. The internal cavity of the body thereof and the underside recess of the lid thereof are plain and unornamented.

1 Claim, 7 Drawing Sheets



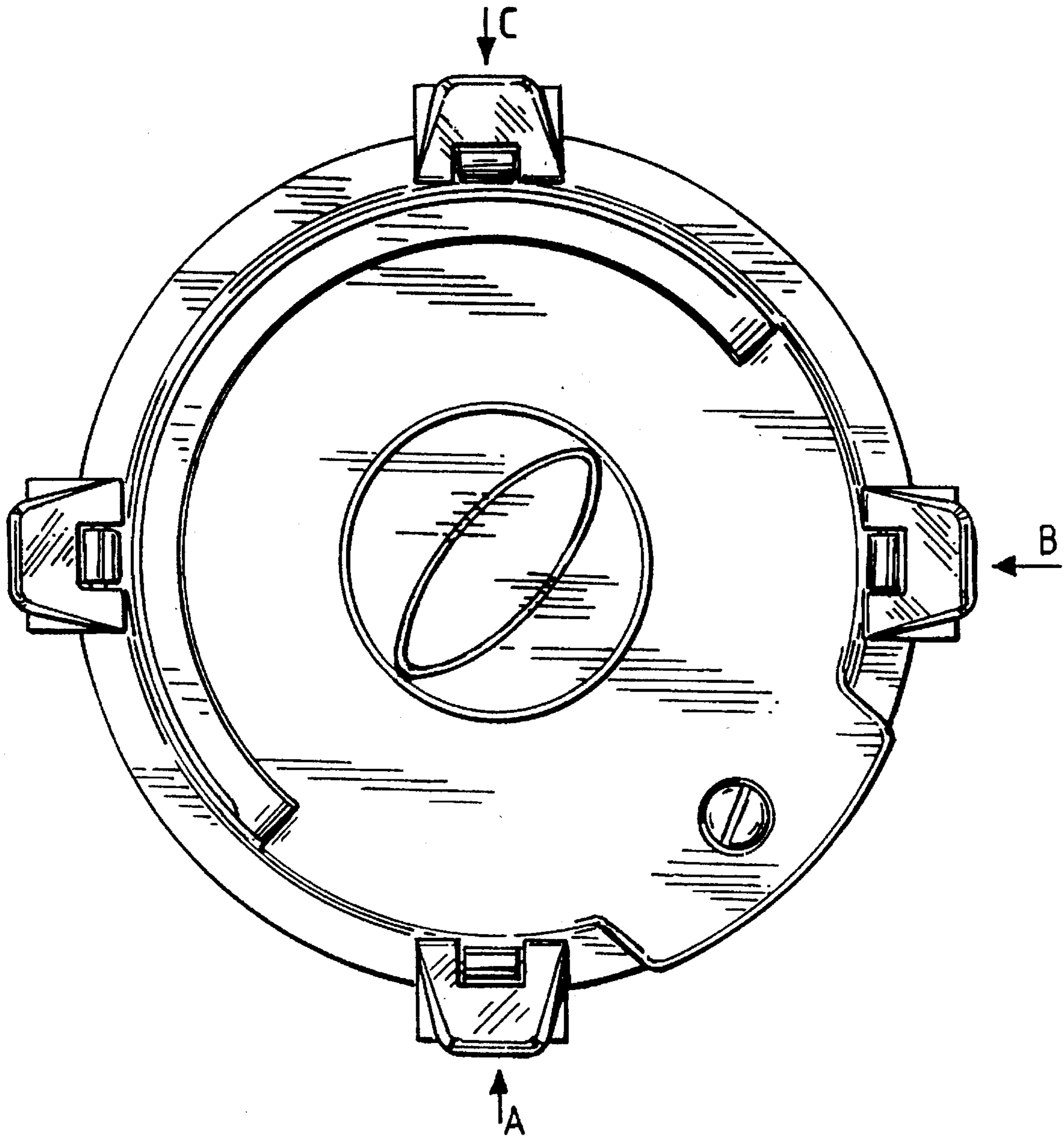


Fig. 1

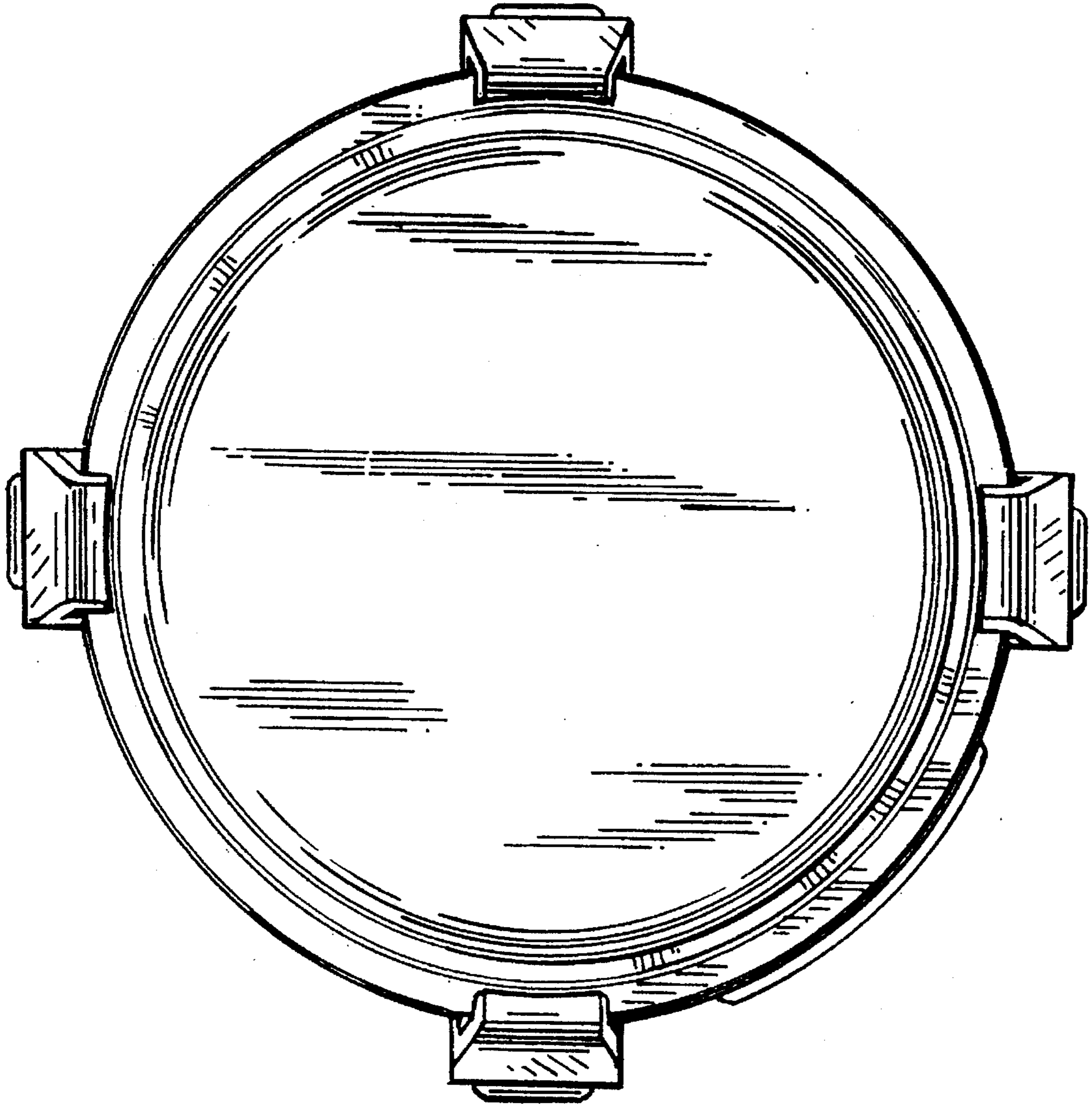


Fig. 2

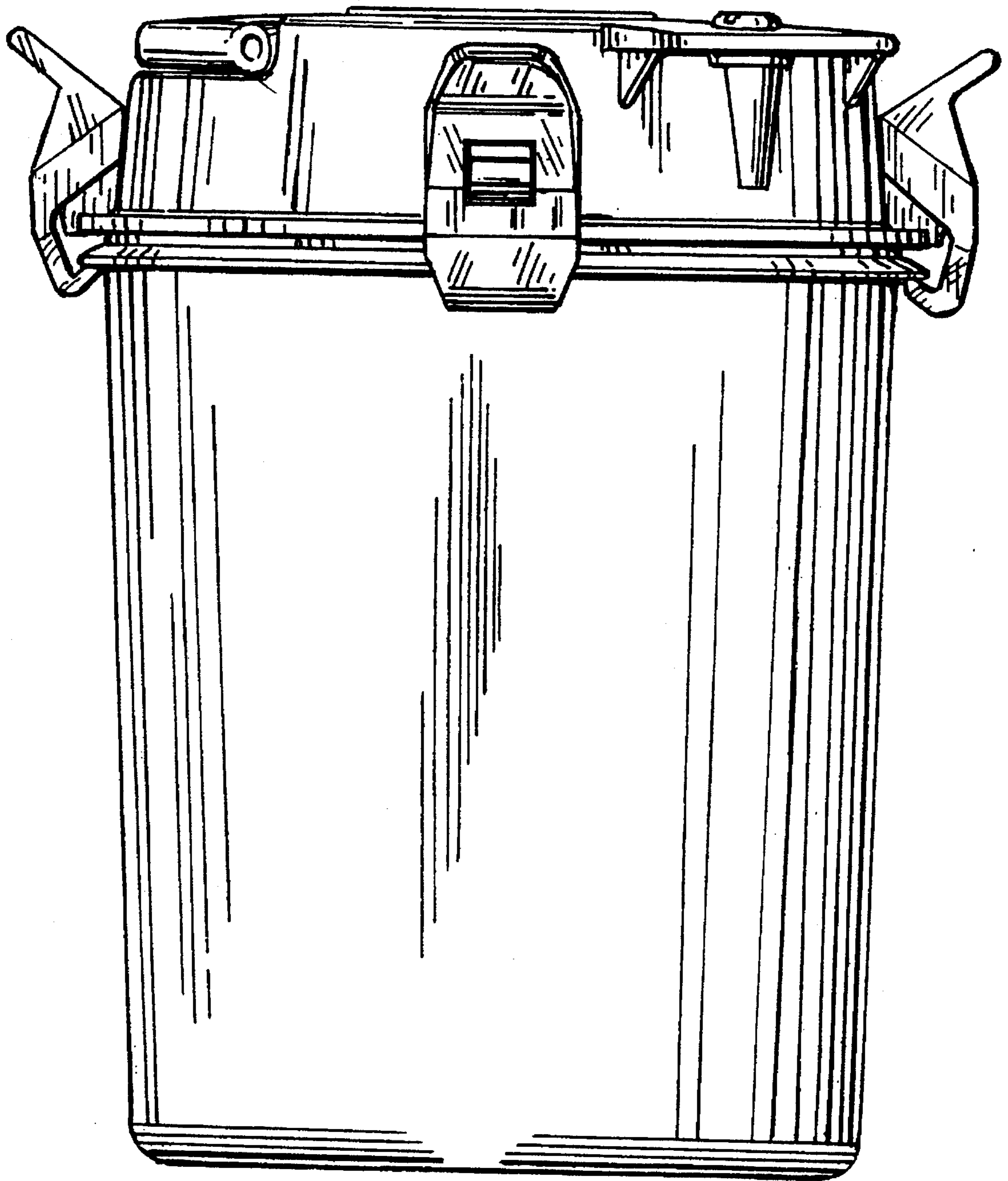


Fig. 3

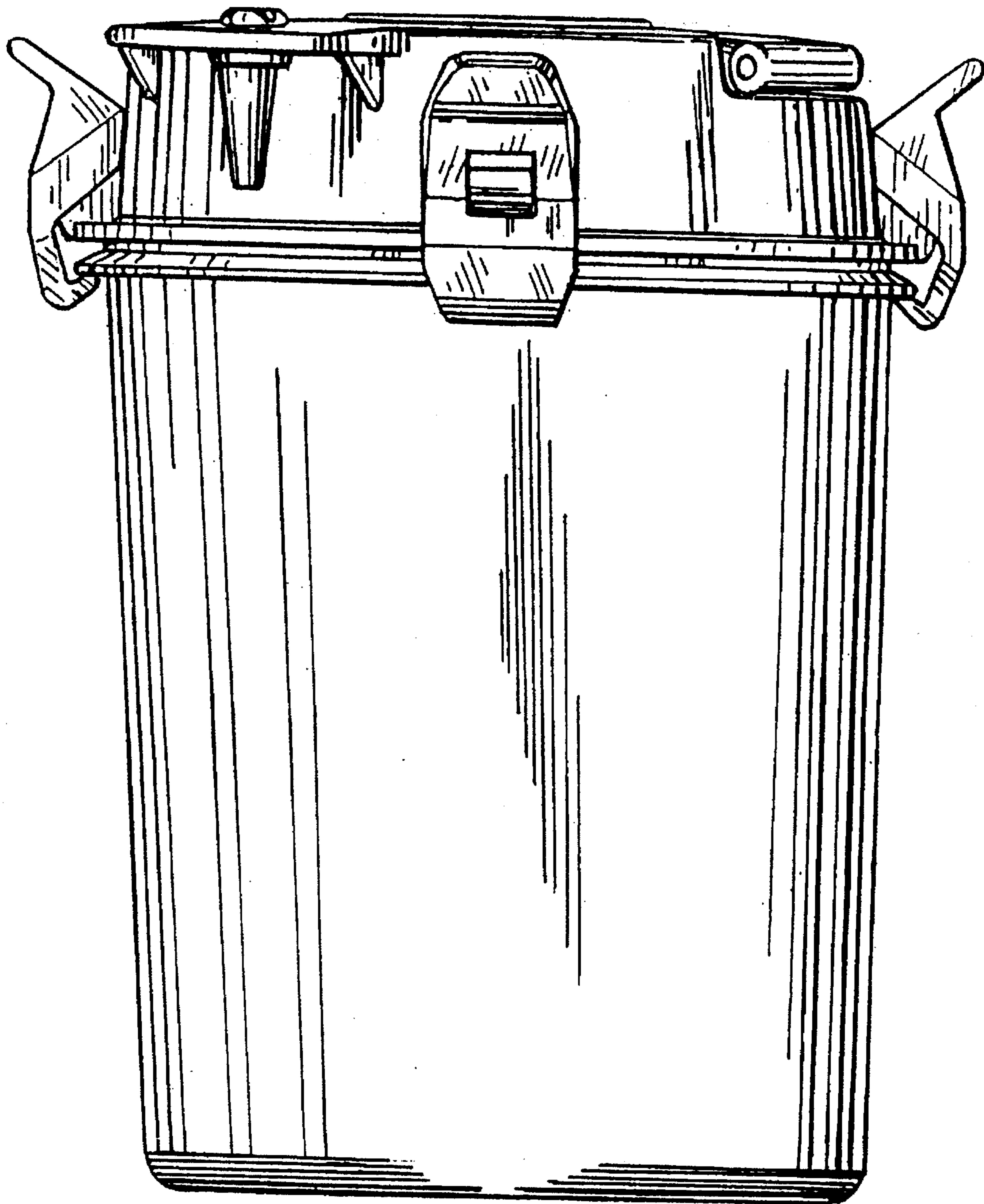


Fig. 4

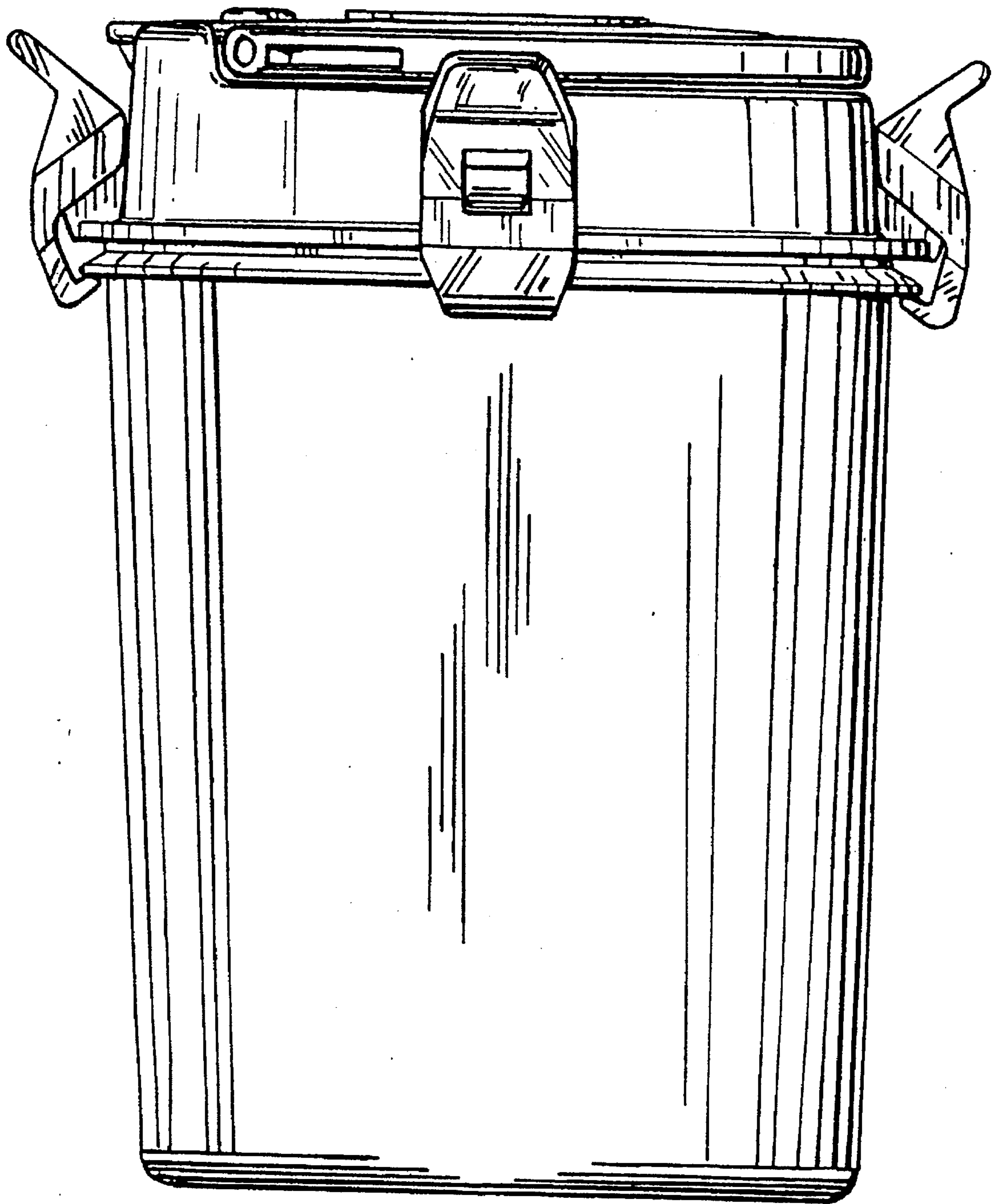


Fig. 5

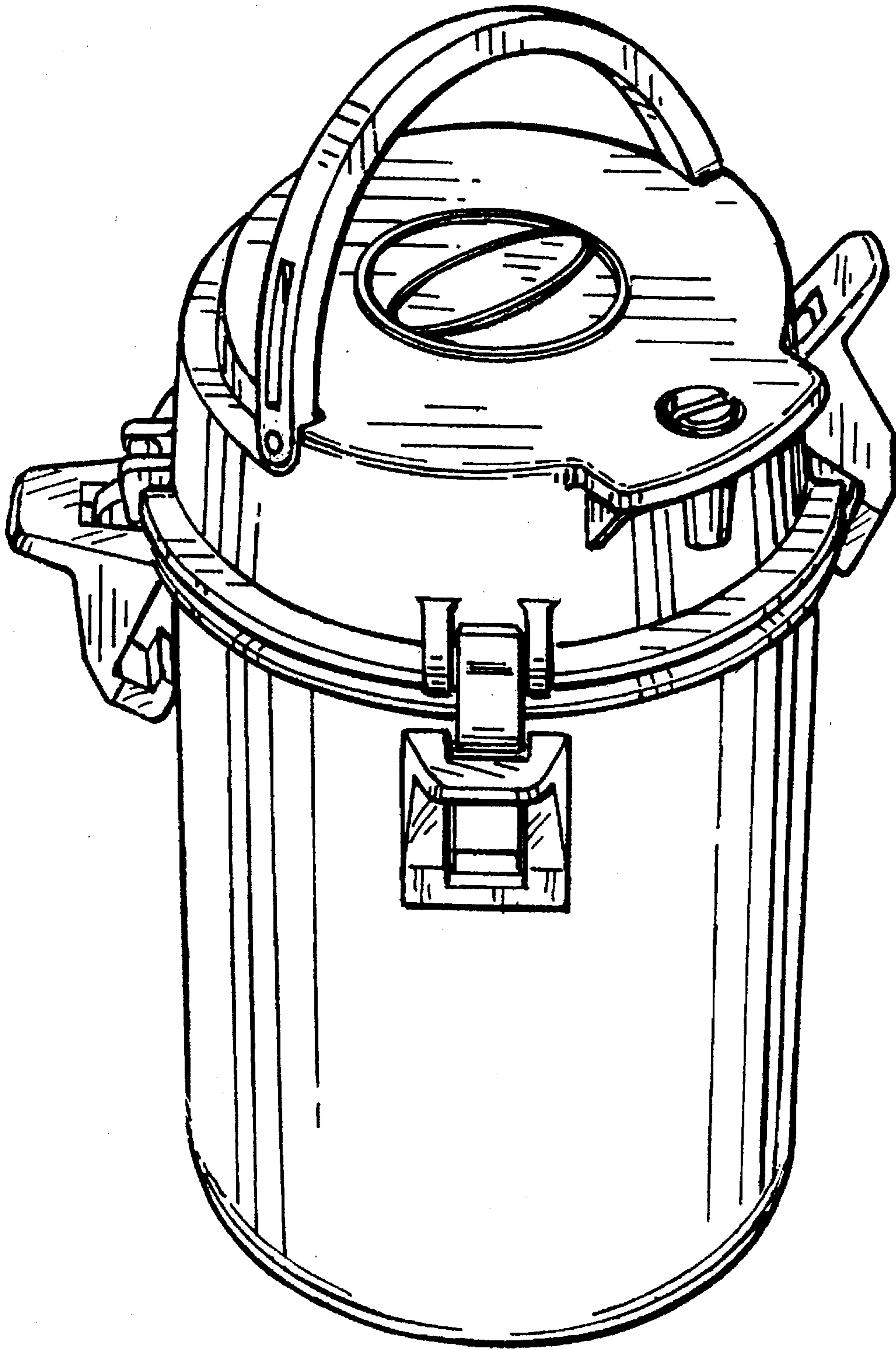


Fig. 6

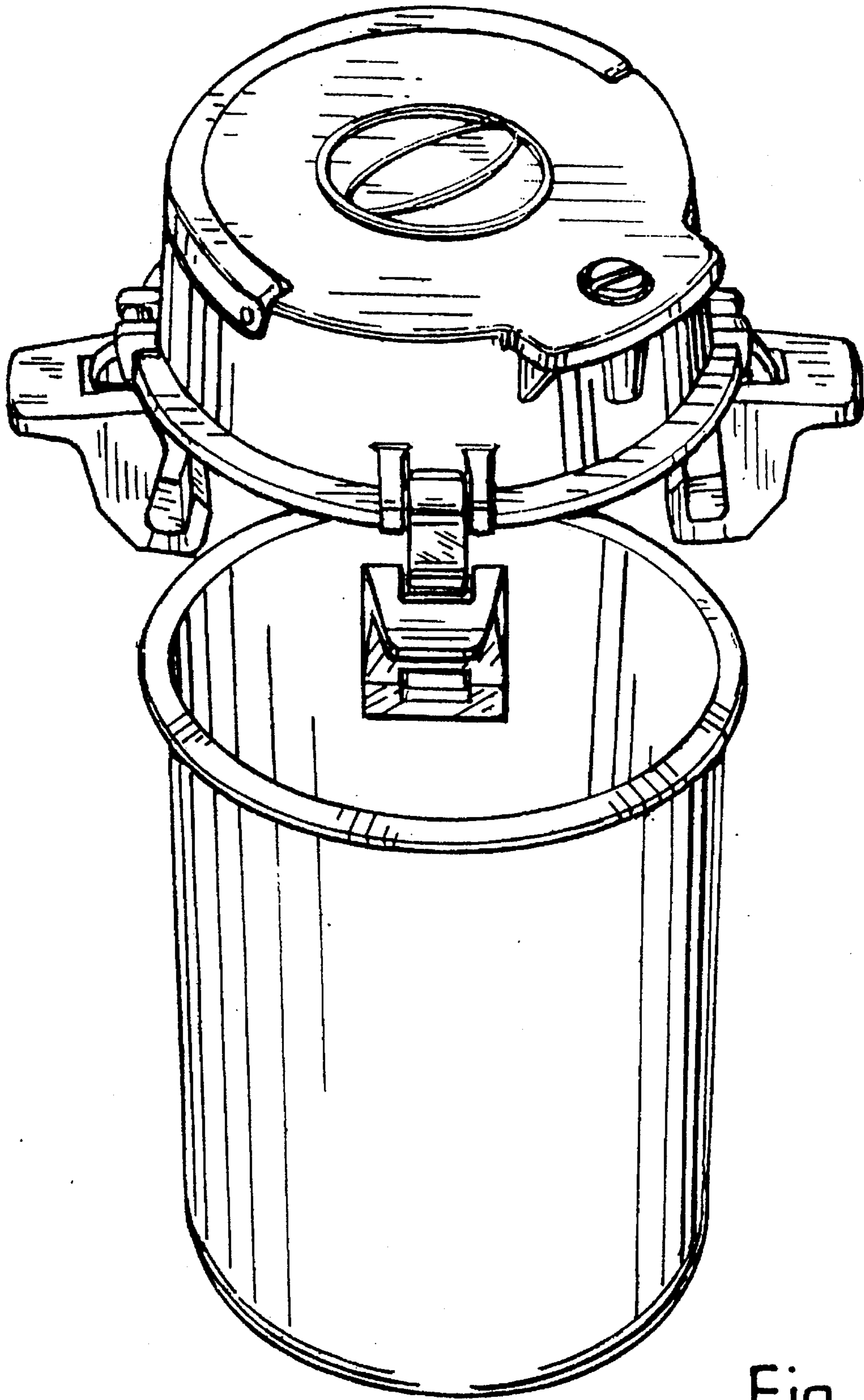


Fig. 7