



US00D372092S

**United States Patent** [19]  
**Brown, II**

[11] **Patent Number: Des. 372,092**  
[45] **Date of Patent: \*\*Jul. 23, 1996**

[54] **STAND FOR HOLDING SYRINGES AND MEDICINES**

FOREIGN PATENT DOCUMENTS

513829 1/1955 Italy ..... 211/60.1

[75] Inventor: **Austin E. Brown, II**, Beeville, Tex.

*Primary Examiner*—Louis S. Zarfaz  
*Assistant Examiner*—Frank Martinez  
*Attorney, Agent, or Firm*—Gunn, Lee & Miller

[73] Assignee: **Brown, Beasley & Associates, Inc.**,  
San Antonio, Tex.

[\*\*] Term: **14 Years**

[57] **CLAIM**

[21] Appl. No.: **40,545**

The ornamental design of a stand for holding syringes and medicines, as shown and described.

[22] Filed: **Jun. 21, 1995**

**DESCRIPTION**

[52] U.S. Cl. .... **D24/128**; 211/60.1; 248/121

[58] Field of Search ..... **D24/128**; 248/121,  
248/127; 211/205, 60.1

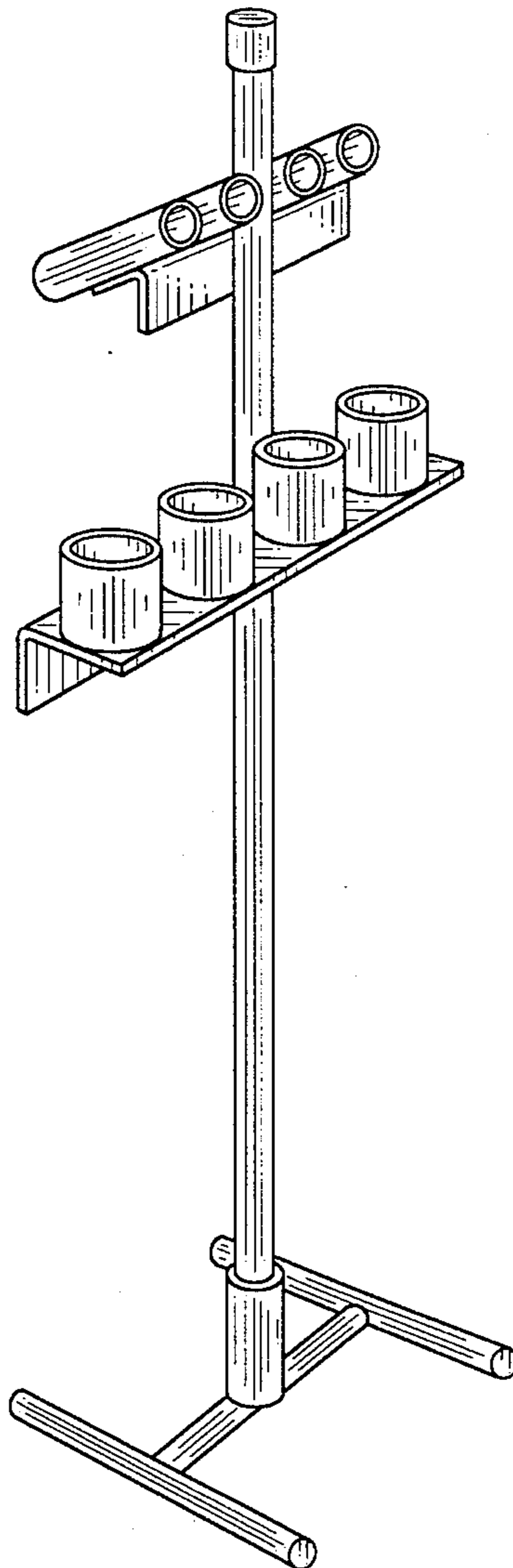
FIG. 1 is a front elevation view showing my new design.  
FIG. 2 is a right side elevation view thereof;  
FIG. 3 is a top plan view thereof;  
FIG. 4 is a left side elevation view thereof;  
FIG. 5 is a rear elevation view thereof;  
FIG. 6 is a bottom plan view thereof; and,  
FIG. 7 is a front, top, right side perspective view thereof.

[56] **References Cited**

**U.S. PATENT DOCUMENTS**

1,799,049 3/1931 Krueger ..... 248/121  
3,186,553 6/1965 De'Caccia ..... 211/60.1  
3,648,892 3/1972 Morgan ..... 211/205

**1 Claim, 3 Drawing Sheets**



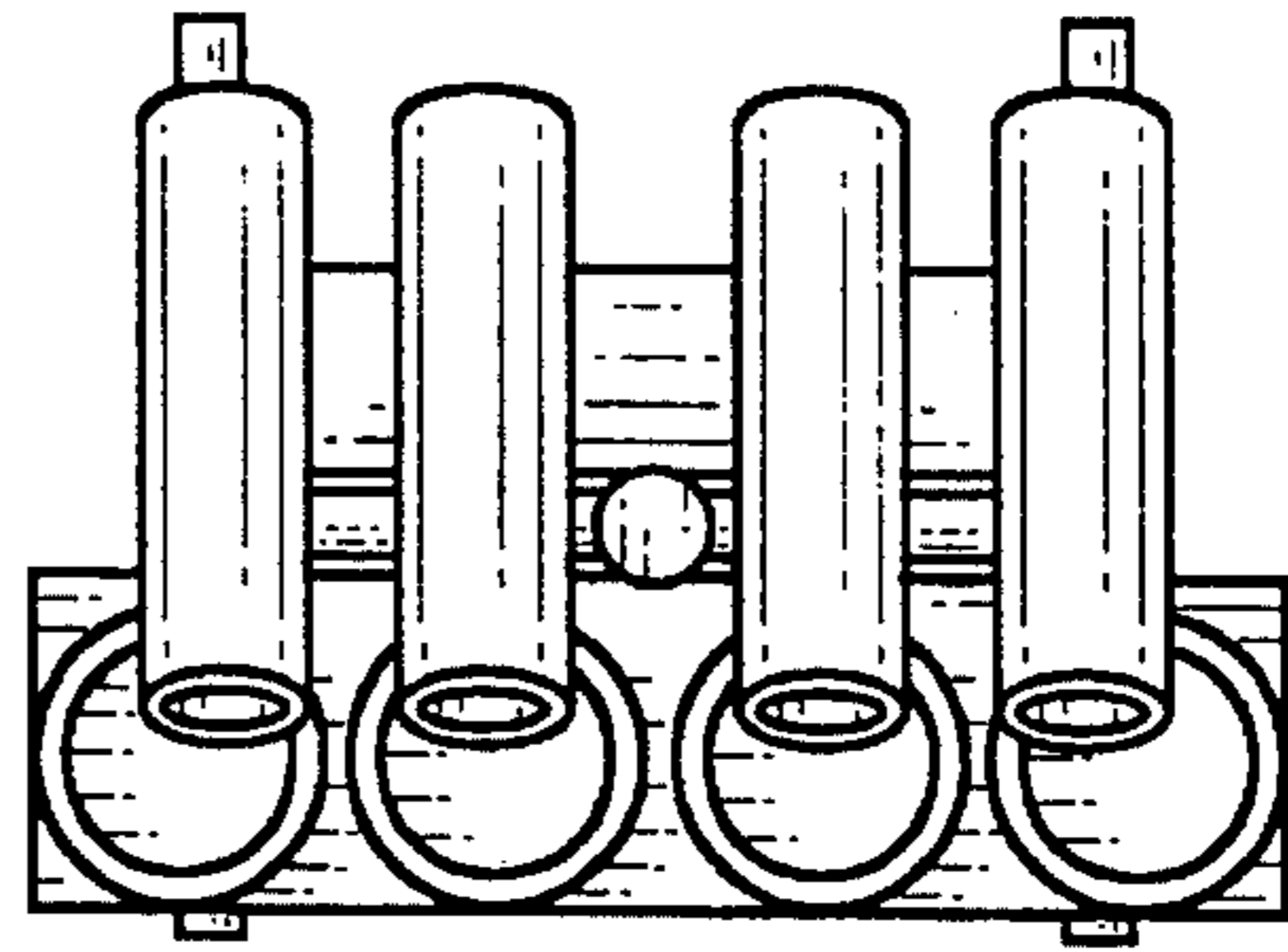


Fig. 3

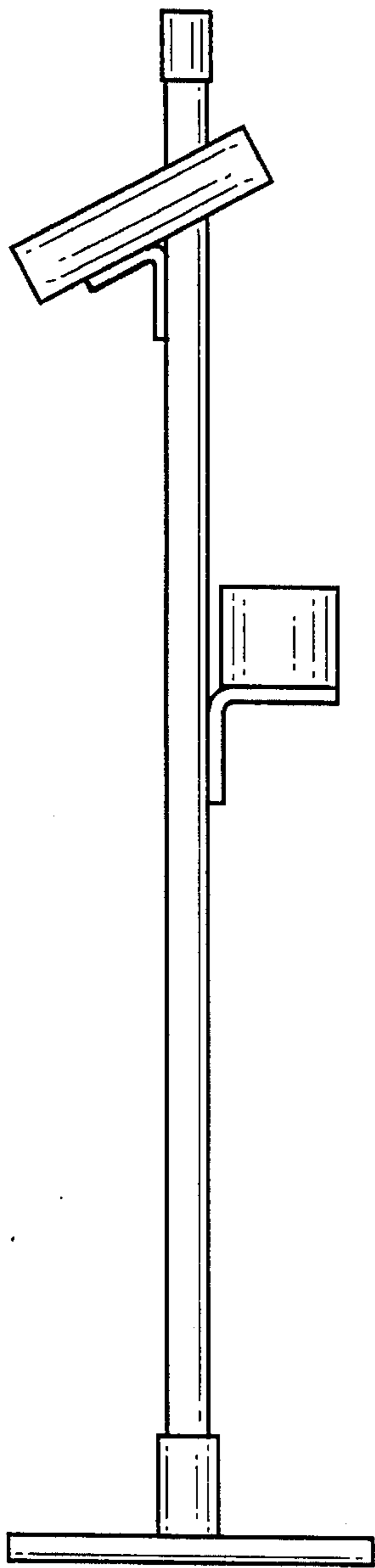


Fig. 2

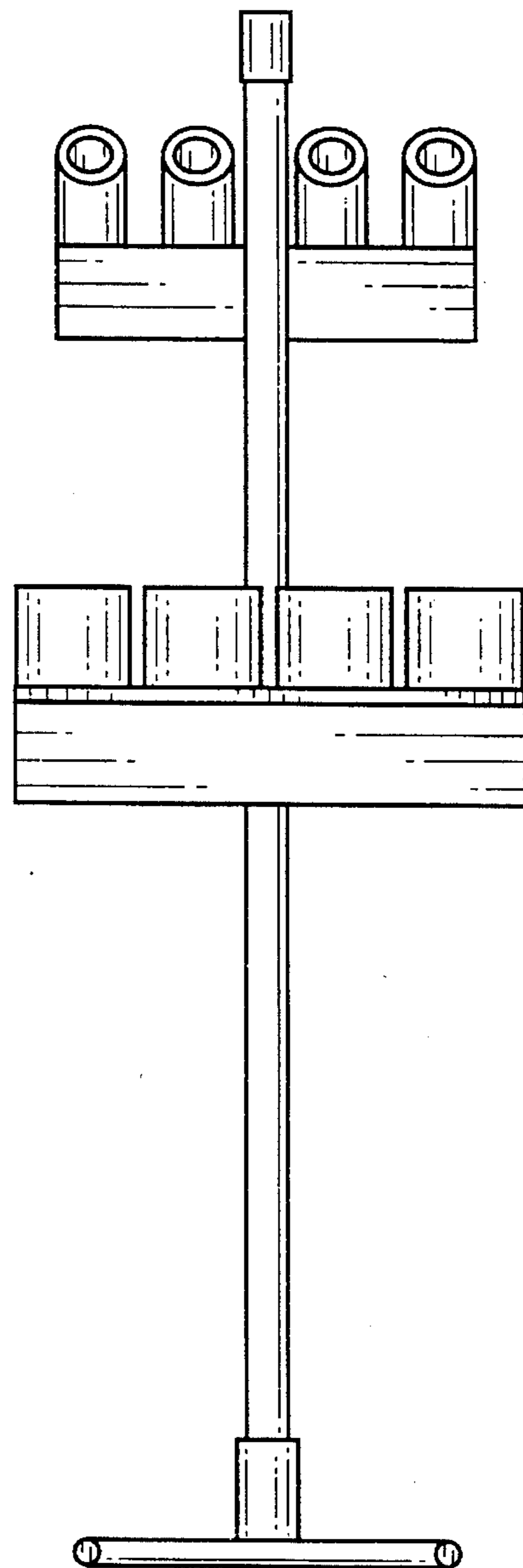


Fig. 1

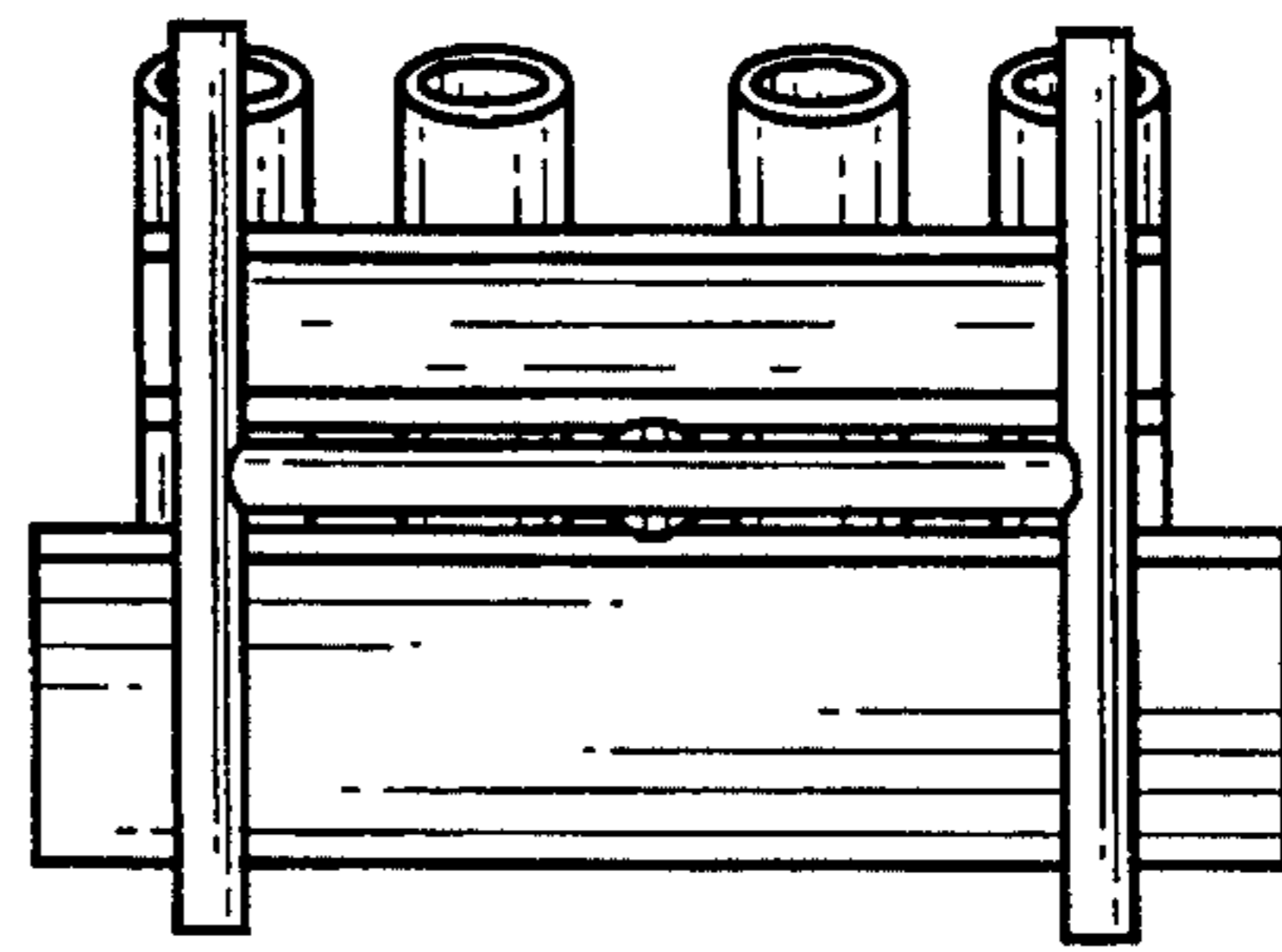


Fig. 6

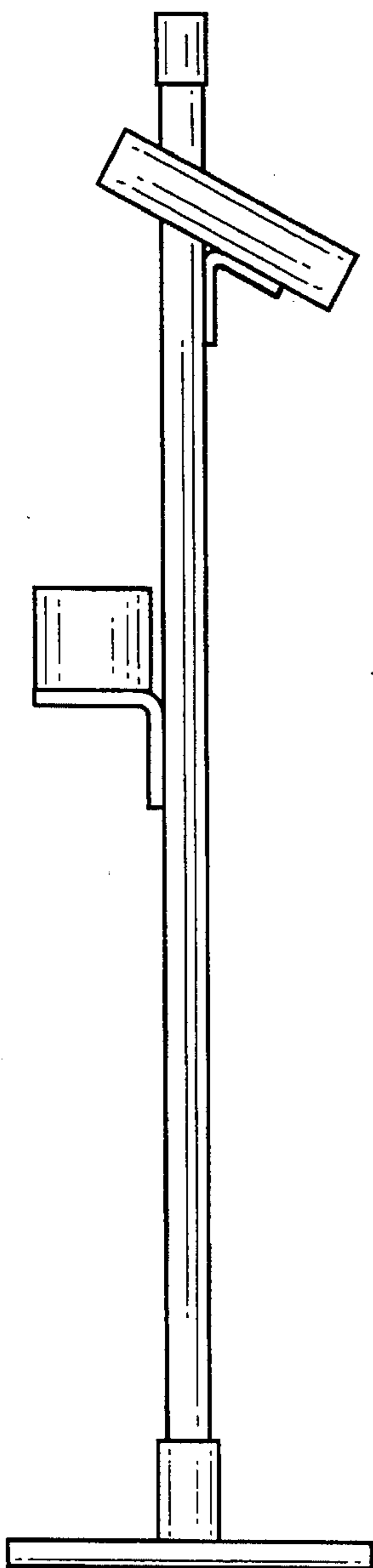


Fig. 4

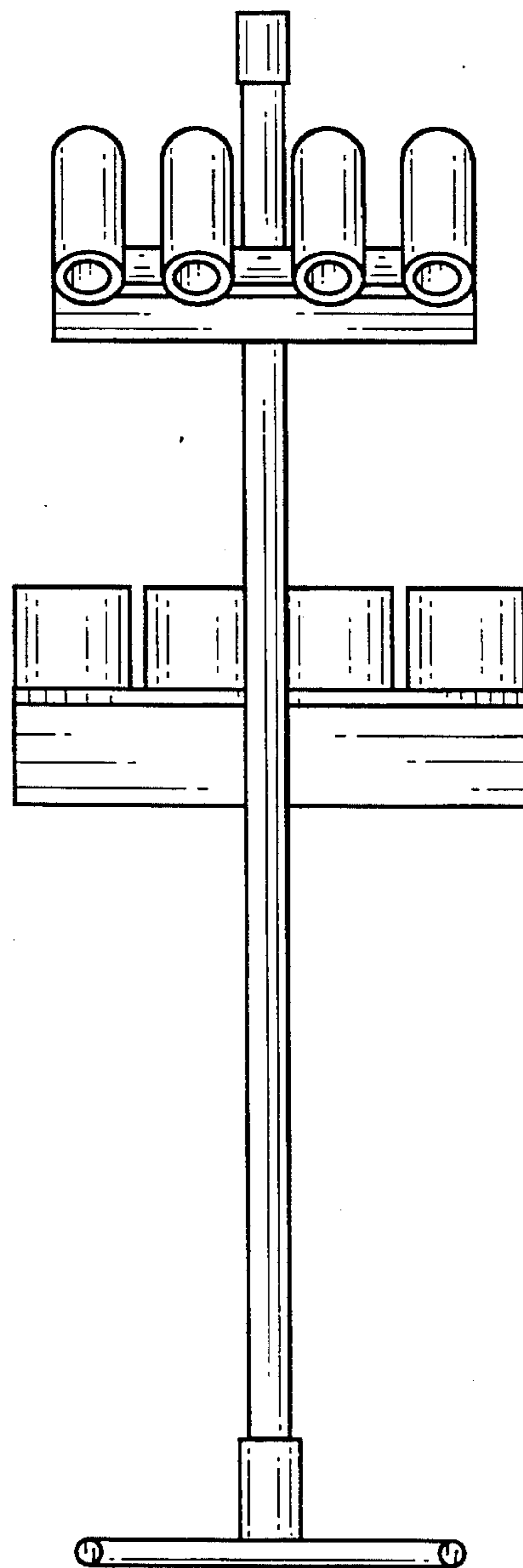


Fig. 5

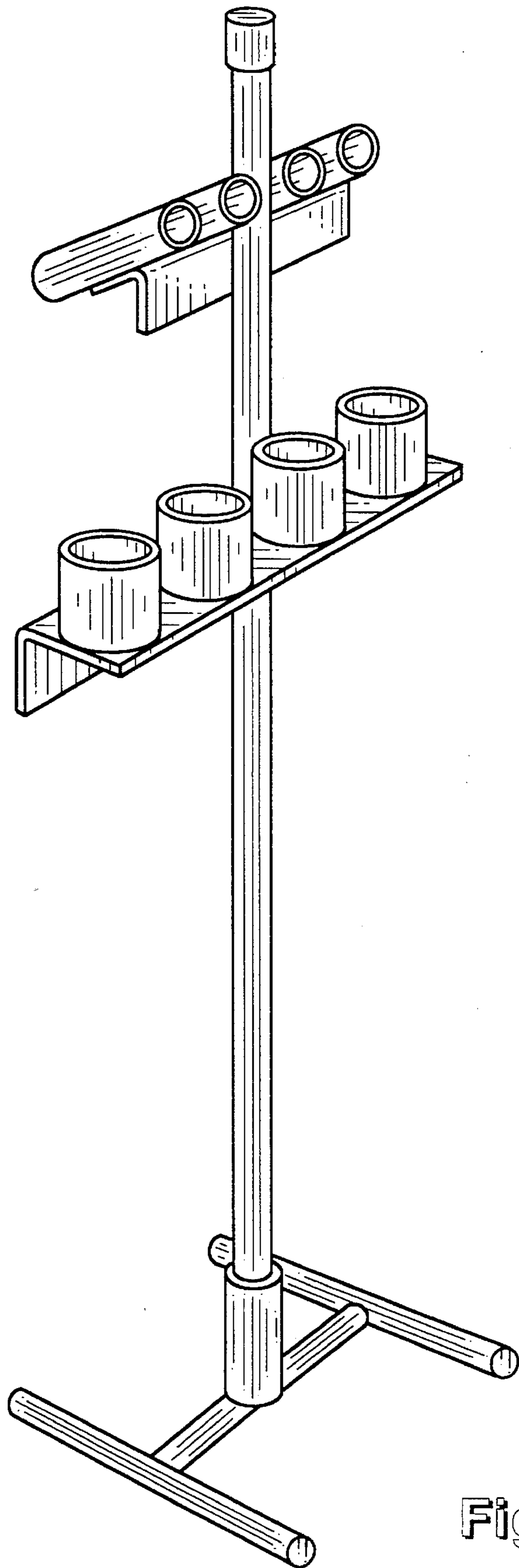


Fig. 7