



US00D372089S

United States Patent [19] Sheu

[11] Patent Number: **Des. 372,089**

[45] Date of Patent: ****Jul. 23, 1996**

[54] **MEDICINE FEEDER FOR BABIES**

[76] Inventor: **Miin-Shiou Sheu**, No. 156, Cheng Kung Road, Chang Hua City, Taiwan

[**] Term: **14 Years**

[21] Appl. No.: **36,595**

[22] Filed: **Mar. 23, 1995**

[52] U.S. Cl. **D24/114; 604/121; 604/207; 604/187; D24/196**

[58] Field of Search **D24/114, 130, D24/194, 196, 197, 198; 604/118, 121, 125, 124, 187, 190, 207, 68, 127, 218, 219; 128/DIG. 12, DIG. 13**

5,377,879 1/1995 Isaacs 604/121 X

FOREIGN PATENT DOCUMENTS

9406325 11/1994 WIPO 604/187

Primary Examiner—Louis S. Zarfes
Assistant Examiner—Frank Martinez
Attorney, Agent, or Firm—Beveridge, DeGrandi, Weilacher & Young

[57] CLAIM

The ornamental design for a medicine feeder for babies, as shown and described.

DESCRIPTION

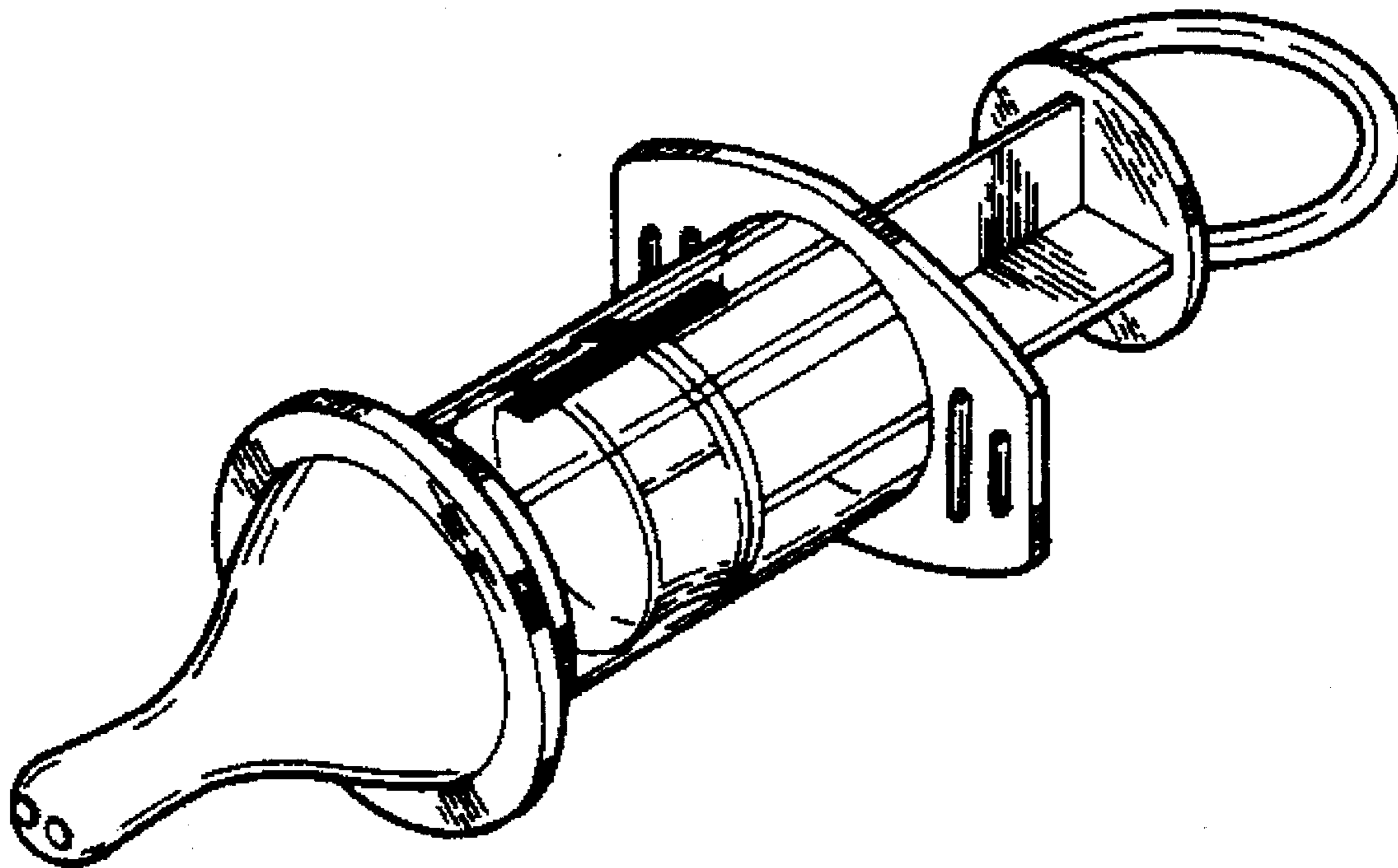
FIG. 1 is a front view of a medicine feeder for babies showing my design;
 FIG. 2 is a rear view thereof;
 FIG. 3 is a left side view thereof;
 FIG. 4 is a right side view thereof;
 FIG. 5 is a top plan view thereof;
 FIG. 6 is a bottom plan view thereof; and,
 FIG. 7 is a perspective view thereof.

[56] References Cited

U.S. PATENT DOCUMENTS

D. 221,706	8/1971	Harrigan	D24/197
D. 335,187	4/1993	Stege	D24/194 X
2,743,044	7/1953	Deemer et al.	222/323
2,868,202	1/1959	Dodge	D24/197 X
5,123,915	6/1992	Miller et al.	D24/196 X
5,197,974	3/1993	Scarpelli et al.	606/235

1 Claim, 3 Drawing Sheets



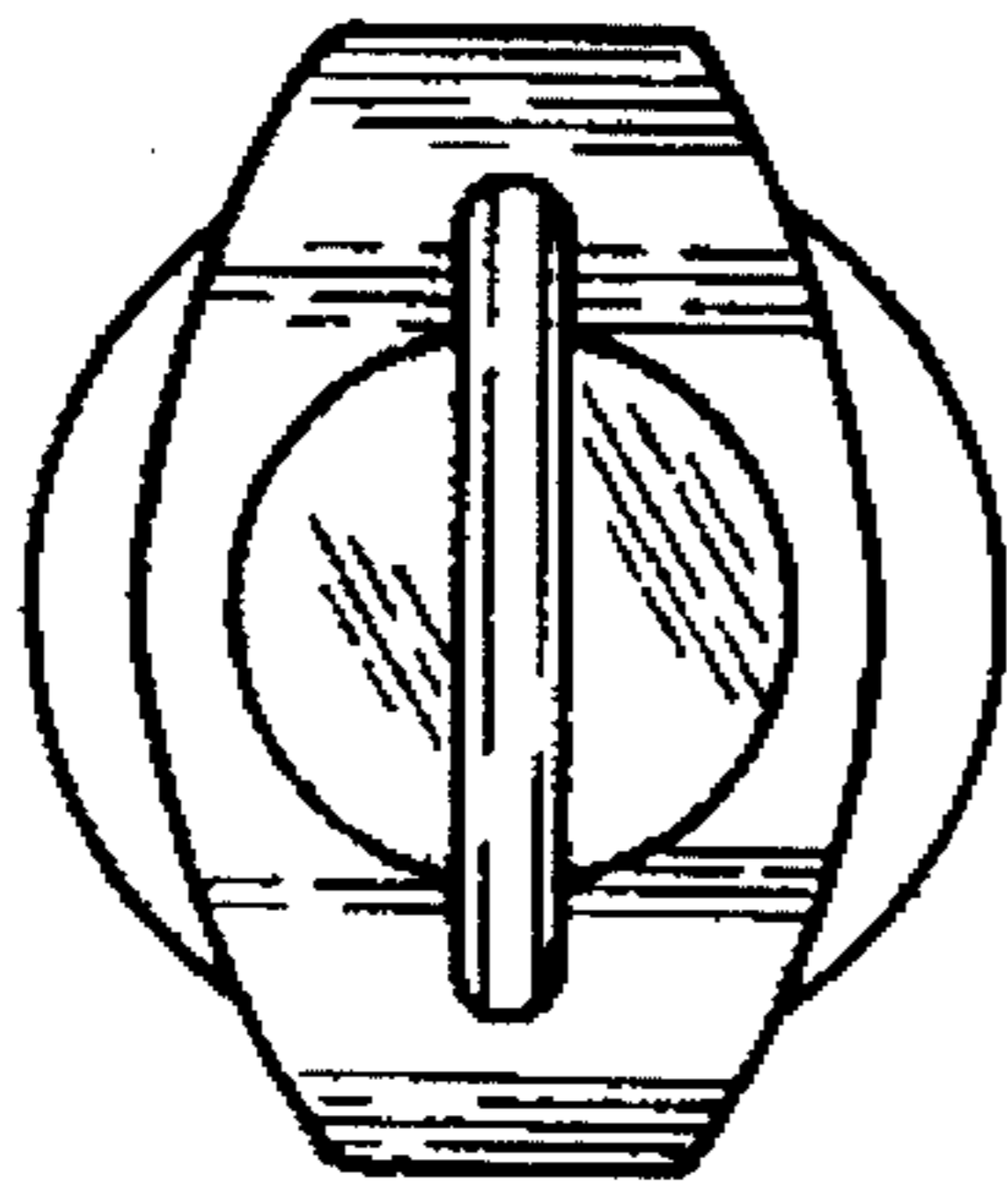


FIG 4

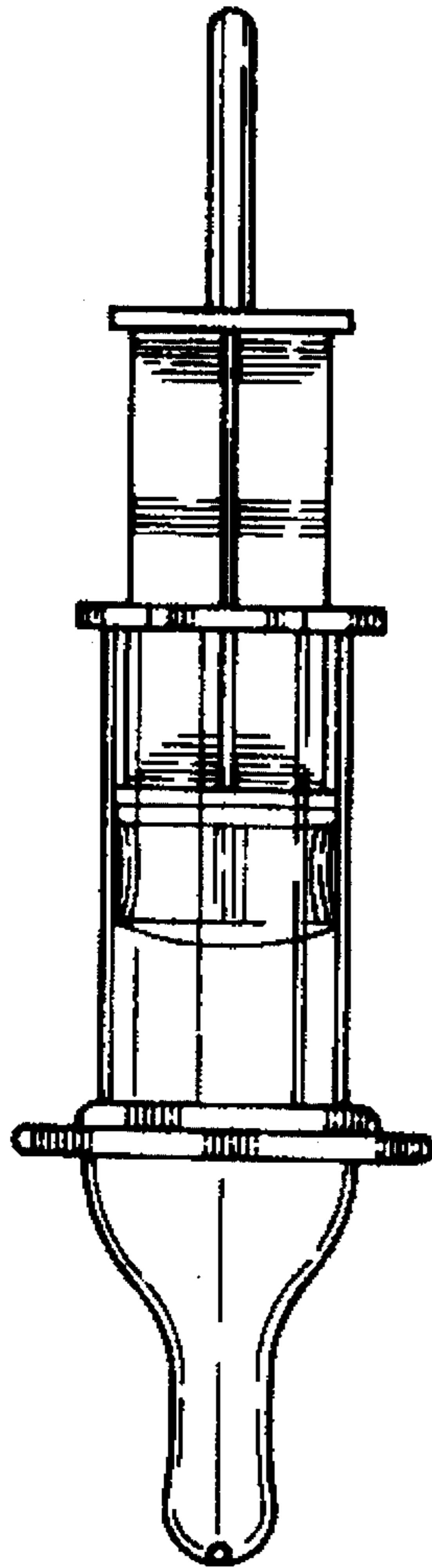


FIG 1

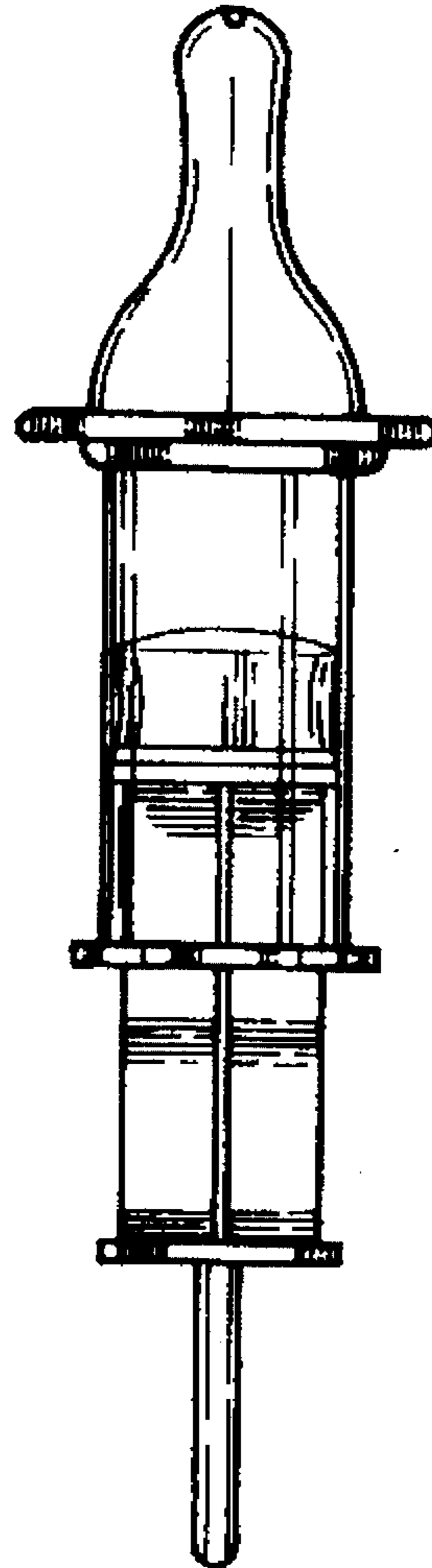


FIG 2

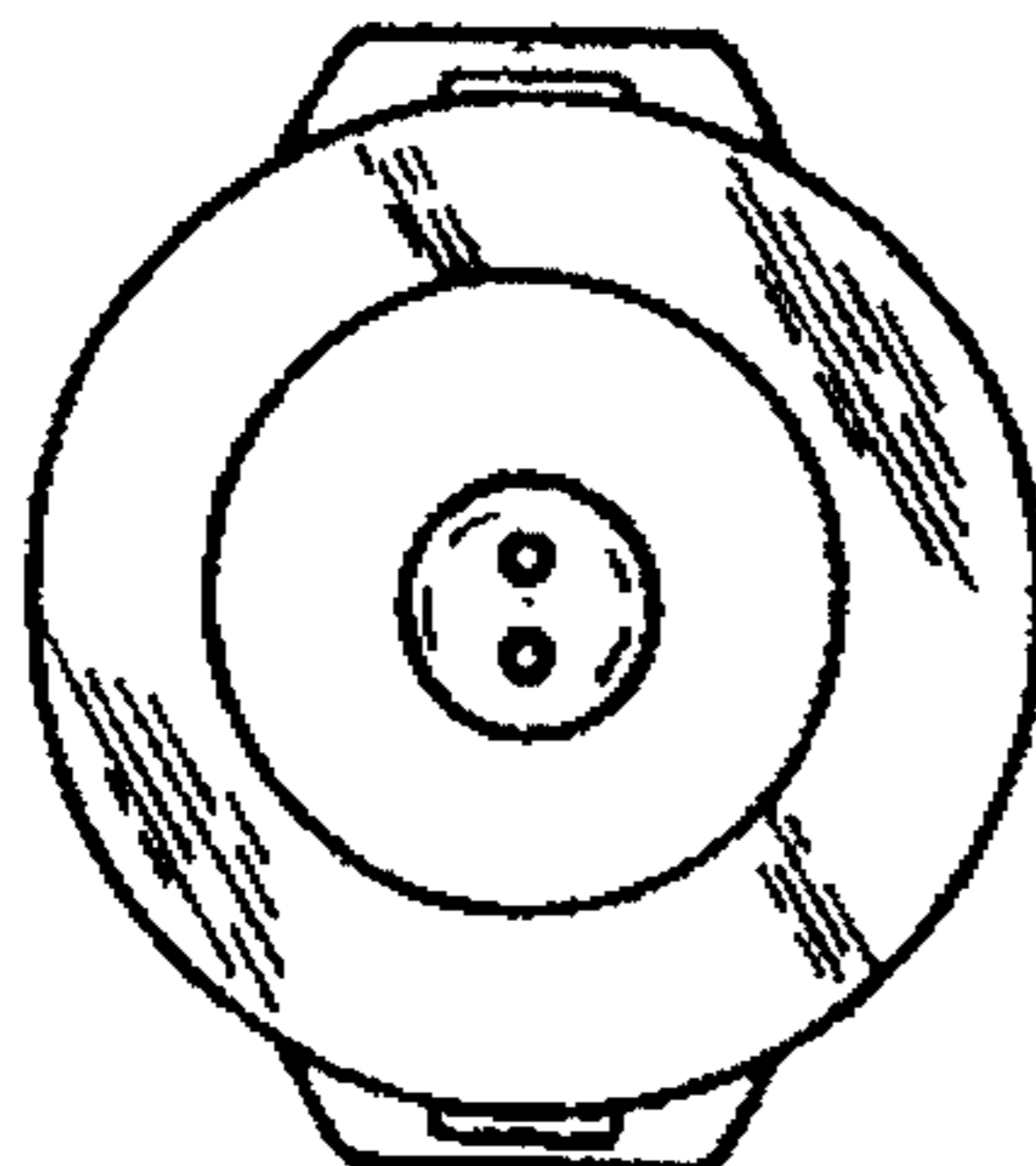


FIG 3

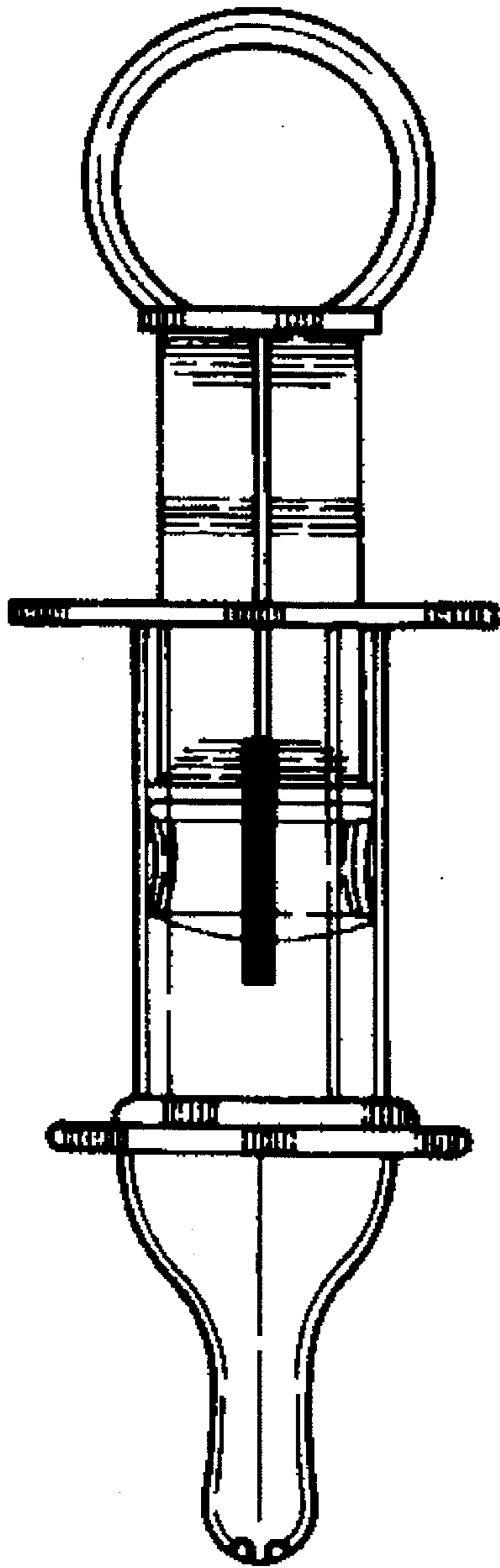


FIG 5

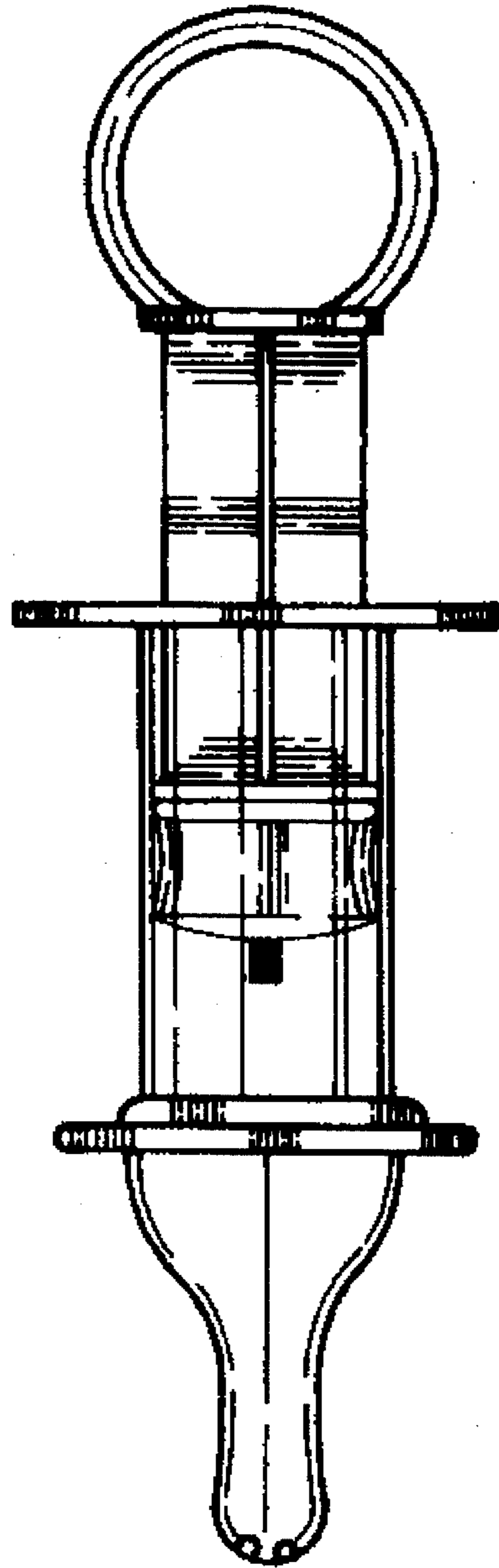


FIG 6

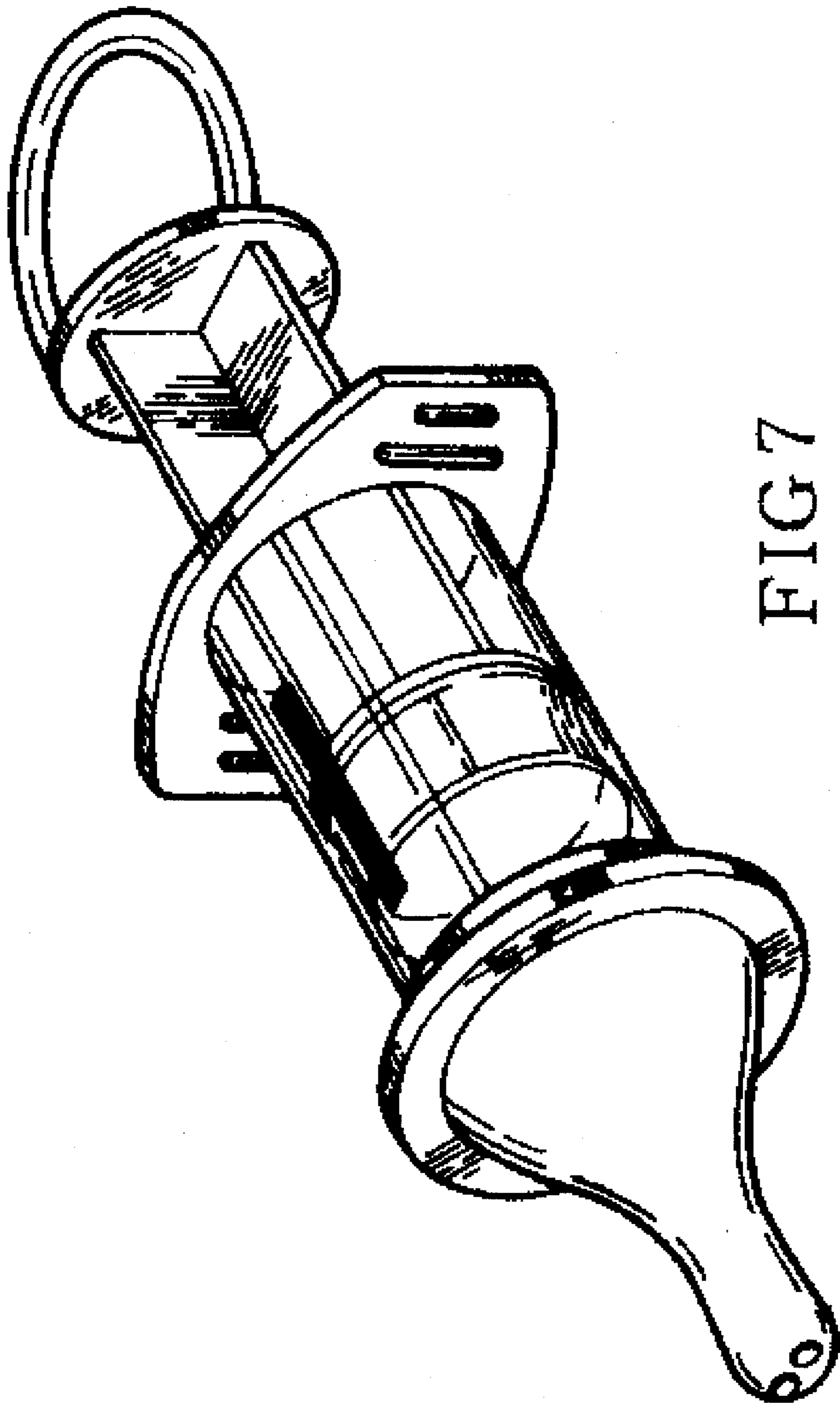


FIG 7