



US00D372081S

United States Patent [19]

Kramer et al.

[11] Patent Number: **Des. 372,081**

[45] Date of Patent: ****Jul. 23, 1996**

[54] **DENTAL SHADE GUIDE**

4,978,296 12/1990 Antons et al. 433/26
5,149,267 9/1992 Longhini et al. 433/26

[75] Inventors: **Carolyn M. Kramer**, Moorestown, N.J.; **Gary E. Sheffer**, York, Pa.

Primary Examiner—Kay H. Chin
Attorney, Agent, or Firm—Dale R. Lovercheck; James B. Bieber

[73] Assignee: **Ceramco Inc.**, Burlington, N.J.

[**] Term: **14 Years**

[57] **CLAIM**

[21] Appl. No.: **33,724**

The ornamental design for a dental shade guide, as shown and described.

[22] Filed: **Jan. 19, 1995**

[52] U.S. Cl. **D24/181**

DESCRIPTION

[58] Field of Search D24/176, 181;
433/26, 203.1

FIG. 1 is a top view of the dental shade guide of the present invention;

FIG. 2 is a bottom view of the dental shade guide of the present invention; and,

FIG. 3 is a perspective view of the dental shade guide of the present invention.

[56] **References Cited**

U.S. PATENT DOCUMENTS

D. 328,348 7/1992 Neisse et al. D24/176
D. 357,320 4/1995 Yarovesky et al. D24/181
4,620,841 11/1986 Farrell et al. 433/26

1 Claim, 2 Drawing Sheets

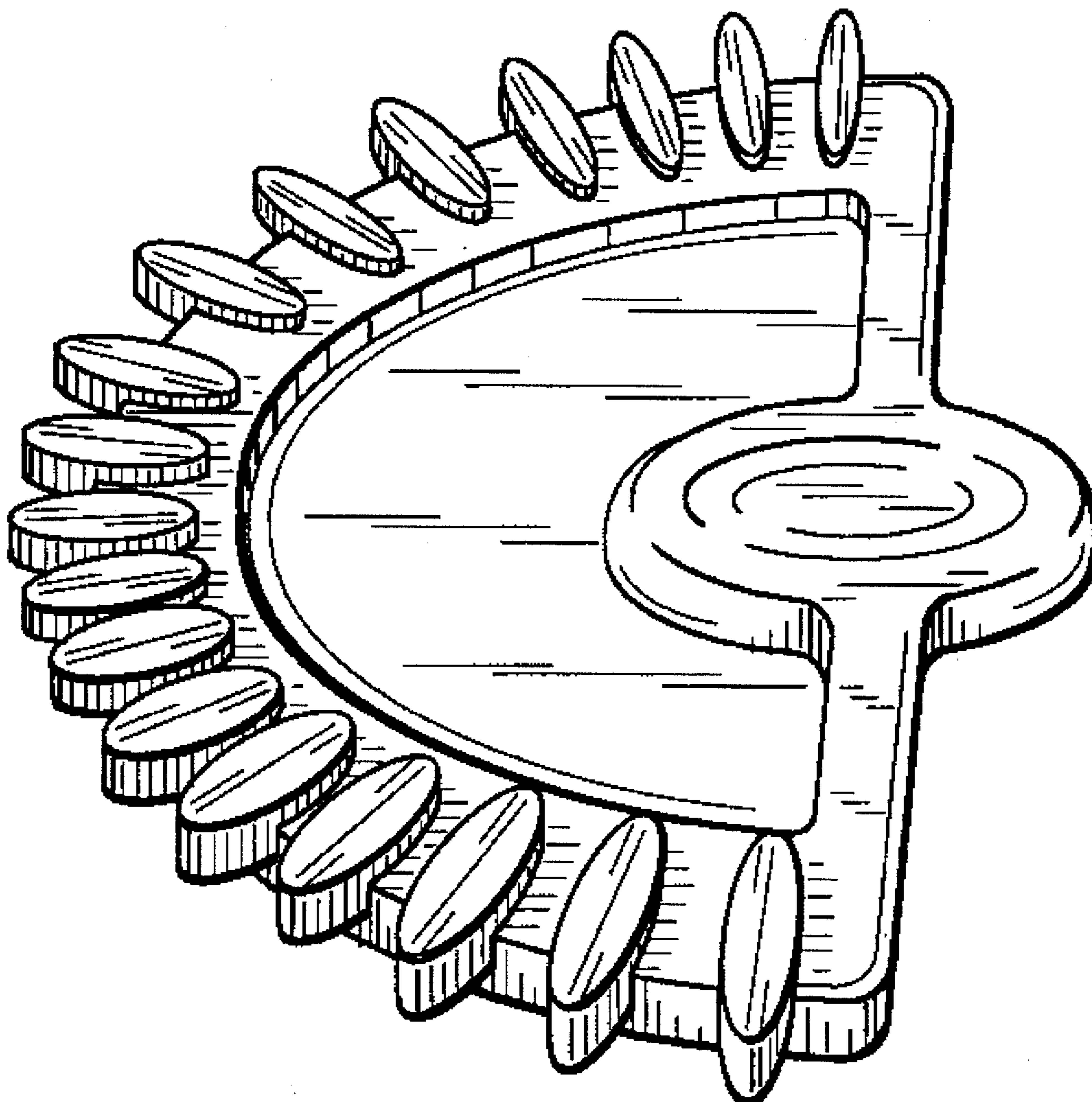


Fig. 1

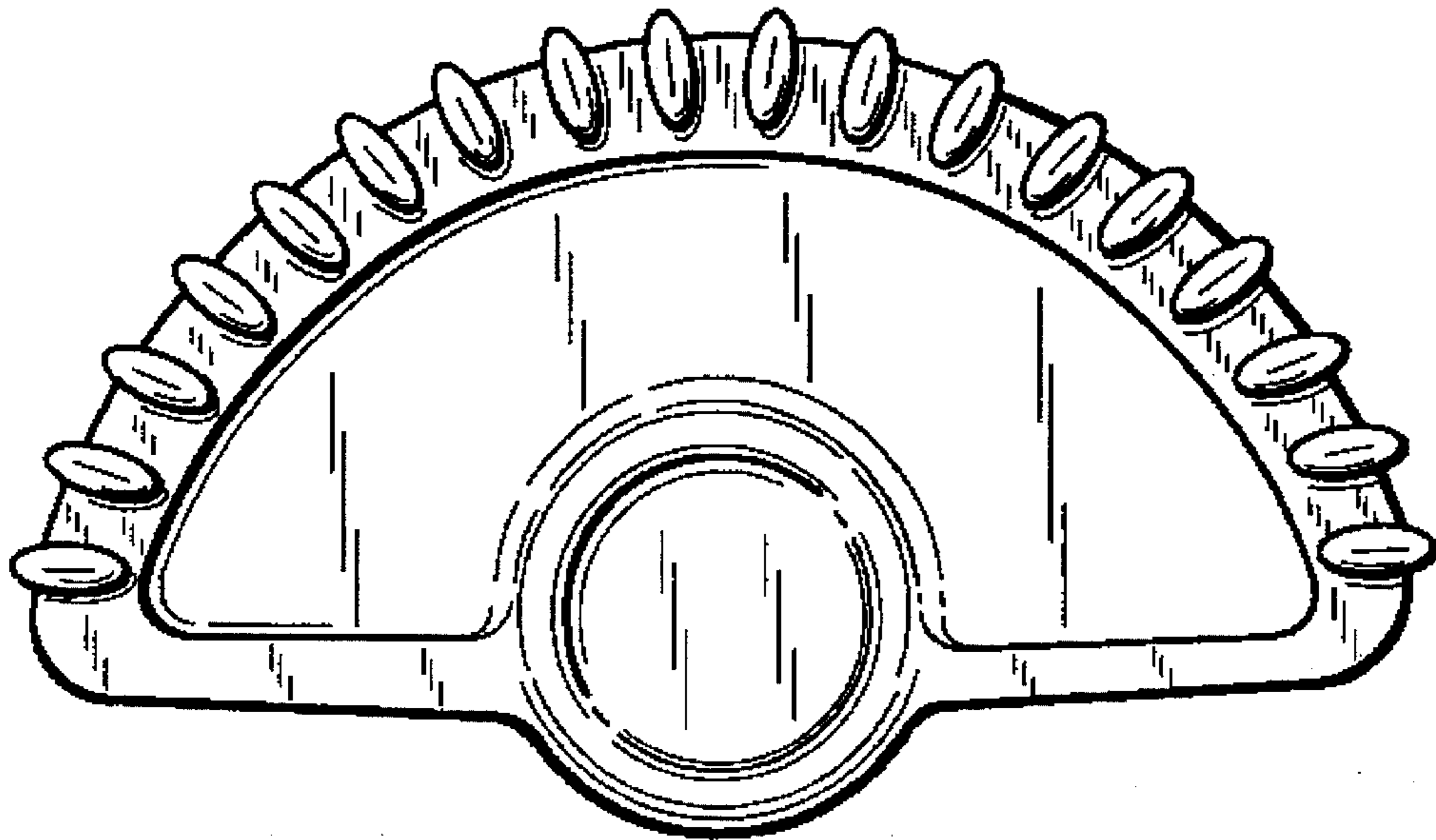


Fig. 2

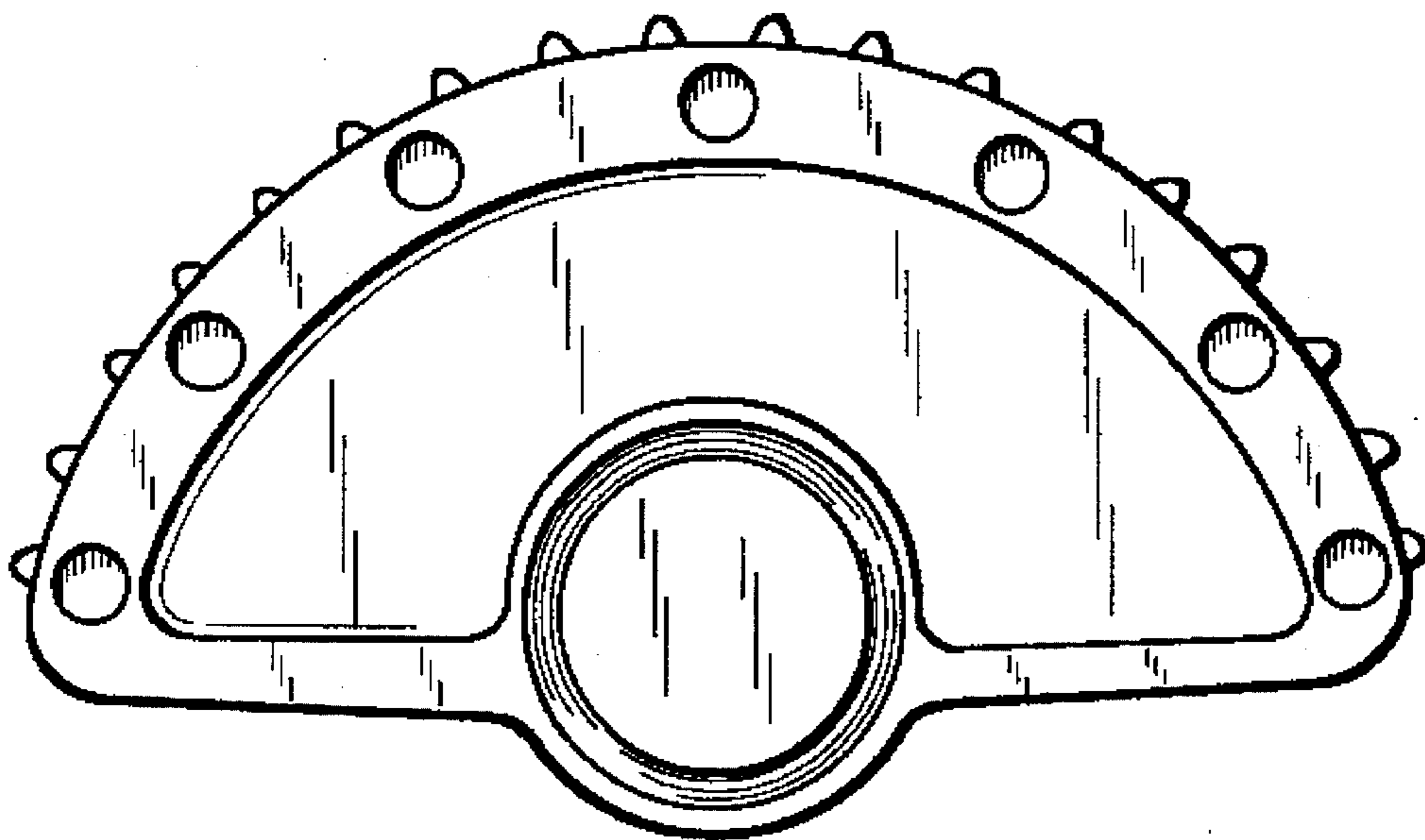


Fig. 3

