



US00D372080S

United States Patent [19]

[11] Patent Number: **Des. 372,080**

Dolan

[45] Date of Patent: ****Jul. 23, 1996**

[54] **COMBINED CEILING FAN MOTOR HOUSING AND LIGHT**

Primary Examiner—Lisa P. Lichtenstein

[76] Inventor: **Patrick S. Dolan**, 1020 SW. Westwood Ct., Portland, Oreg. 97201

[57] **CLAIM**

The ornamental design for a combined ceiling fan motor housing and light, as shown and described.

[**] Term: **14 Years**

DESCRIPTION

[21] Appl. No.: **42,184**

FIG. 1 is a side perspective view thereof;

[22] Filed: **Aug. 3, 1995**

FIG. 2 is a side elevation view thereof, the other sides being identical to that shown;

[52] U.S. Cl. **D23/411; D23/377; D23/385**

FIG. 3 is a top plan view thereof on a reduced scale; and,

[58] Field of Search **D23/377, 379, D23/385, 411; 416/5; 362/96; 392/364; D26/72, 59, 51, 81-86, 88**

FIG. 4 is a bottom plan view thereof on a reduced scale.

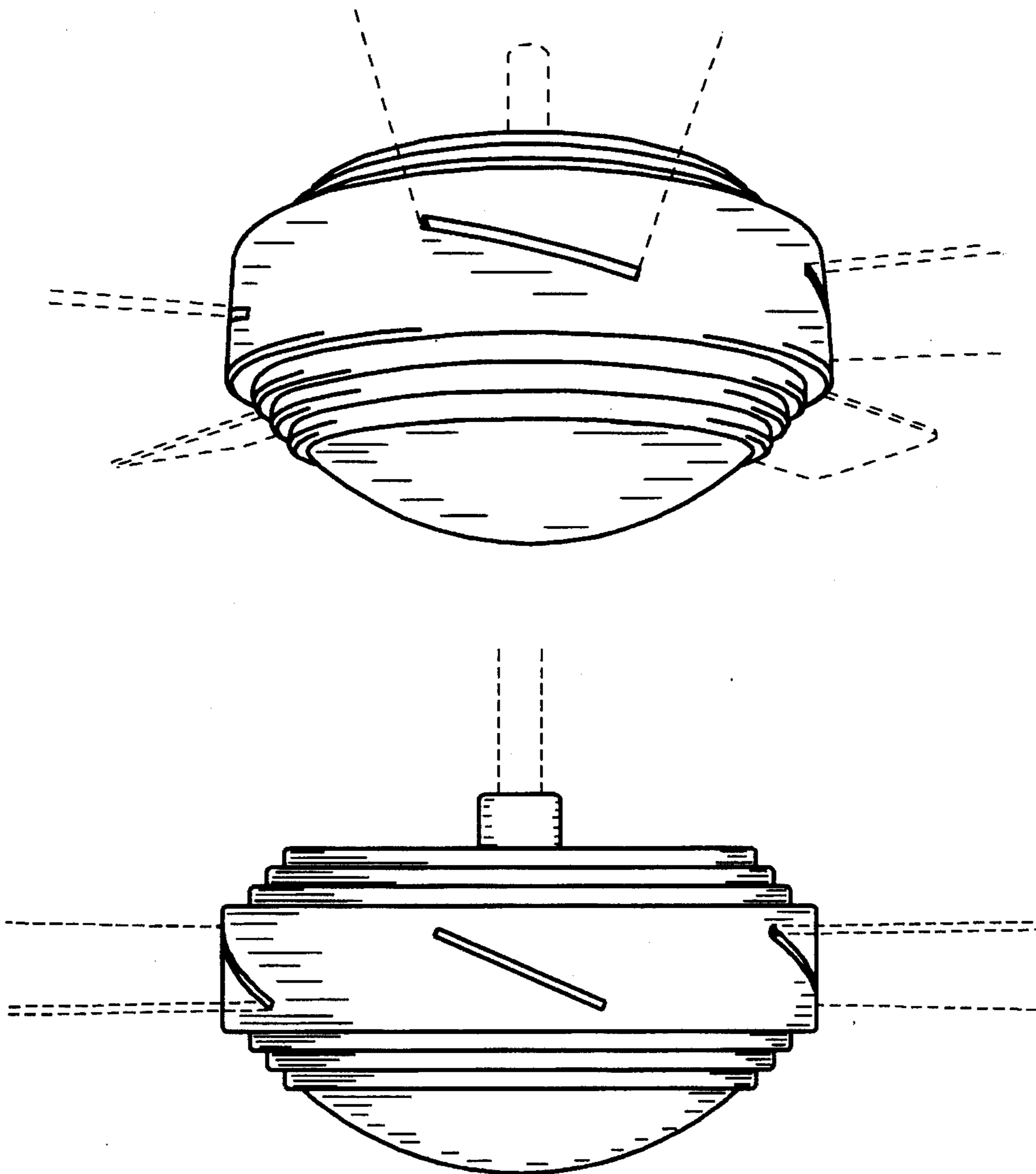
The broken line showing of environmental structure in FIGS. 1-4 is for illustrative purposes only and forms no part of the claimed design.

[56] **References Cited**

U.S. PATENT DOCUMENTS

D. 348,729 7/1994 Mason **D23/385**

1 Claim, 4 Drawing Sheets



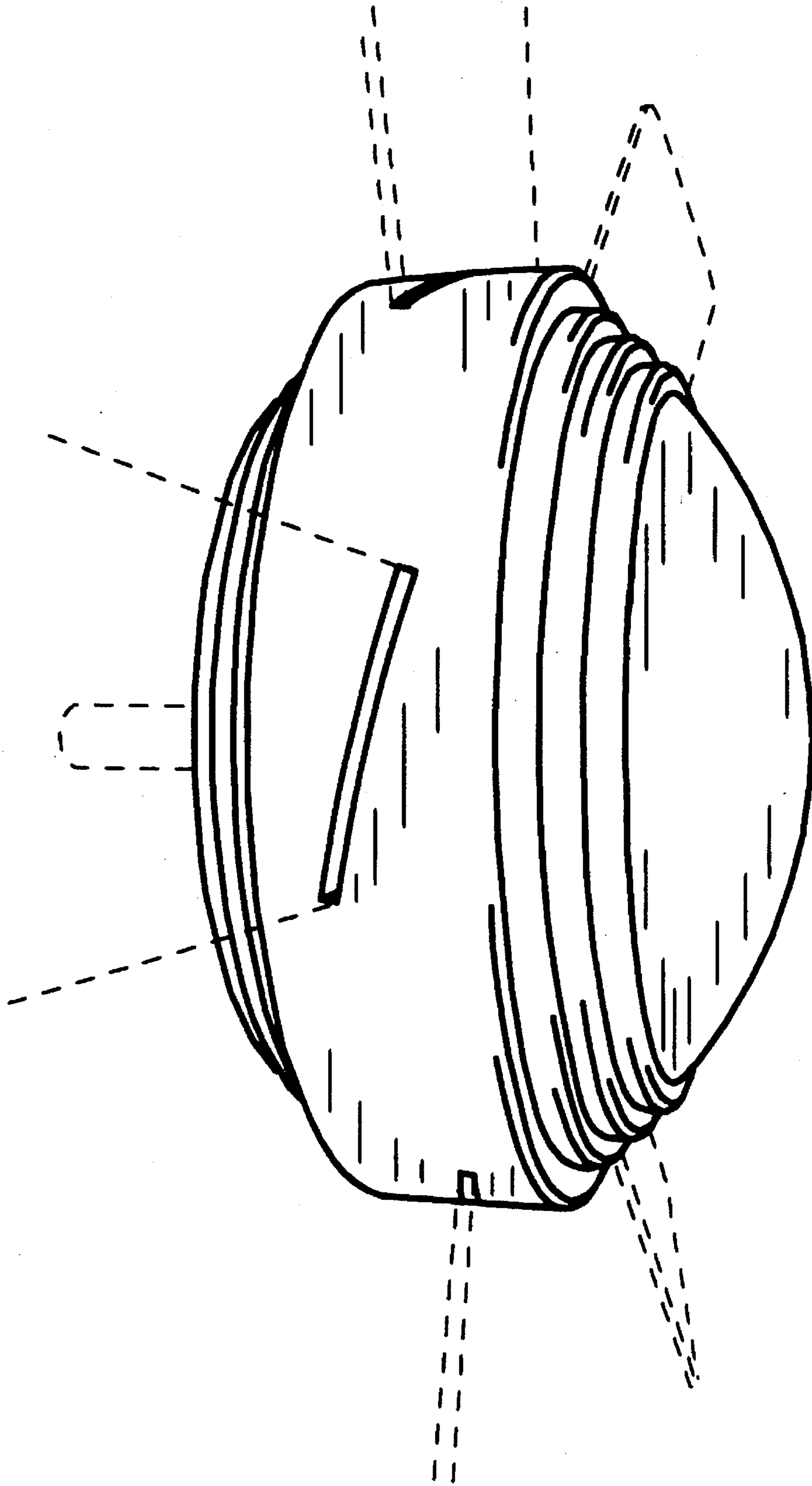


fig. 1

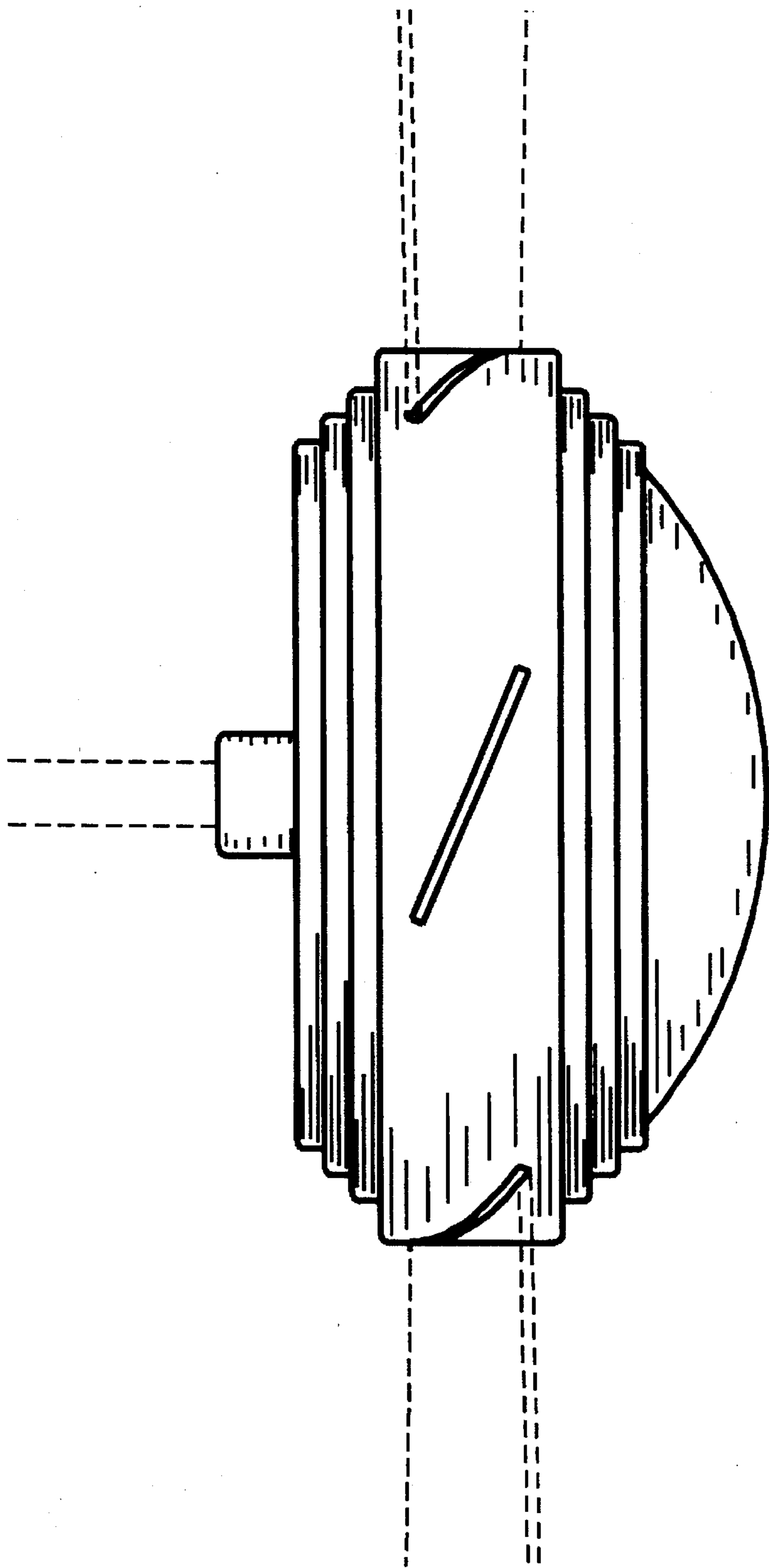


fig. 2

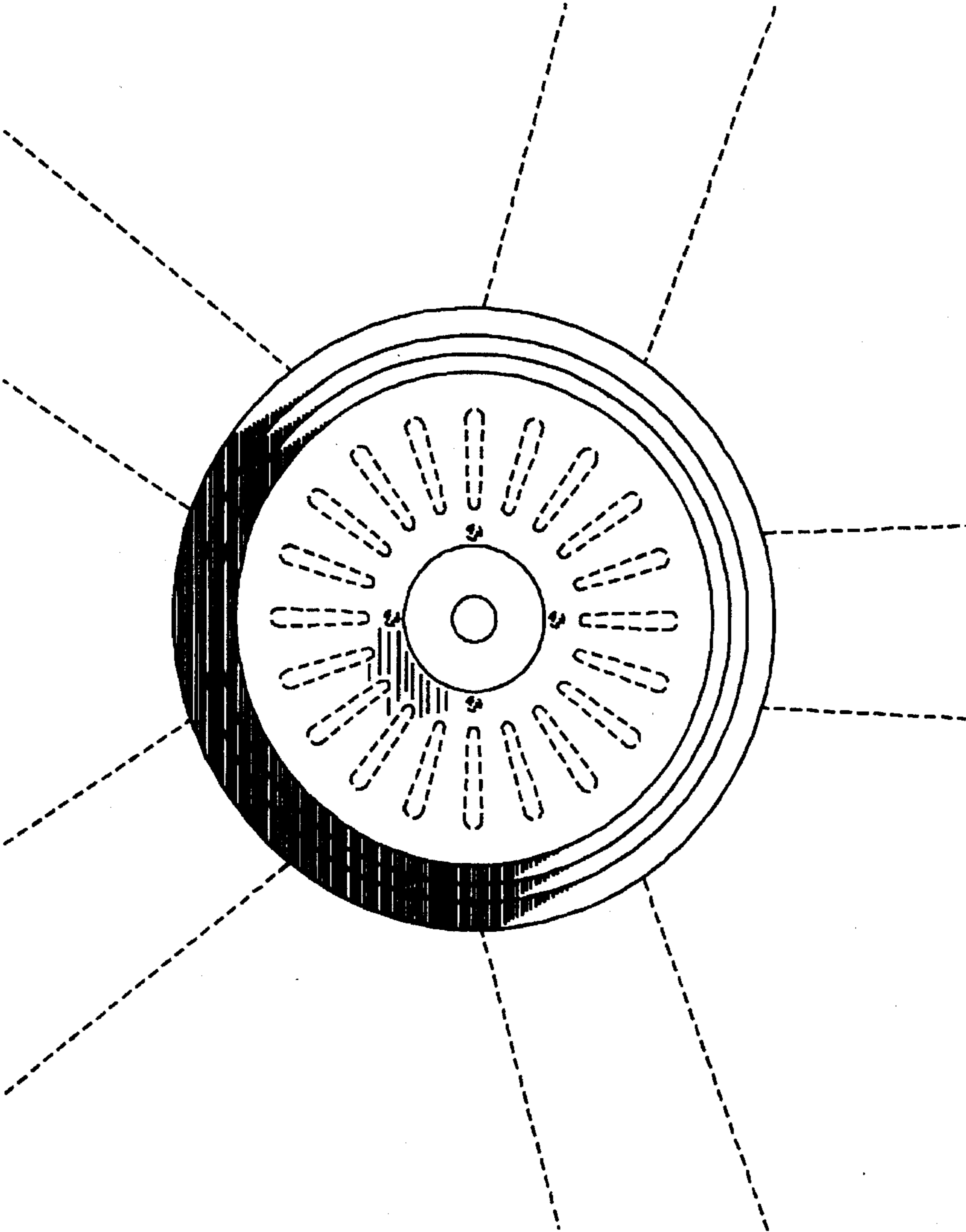


fig. 3

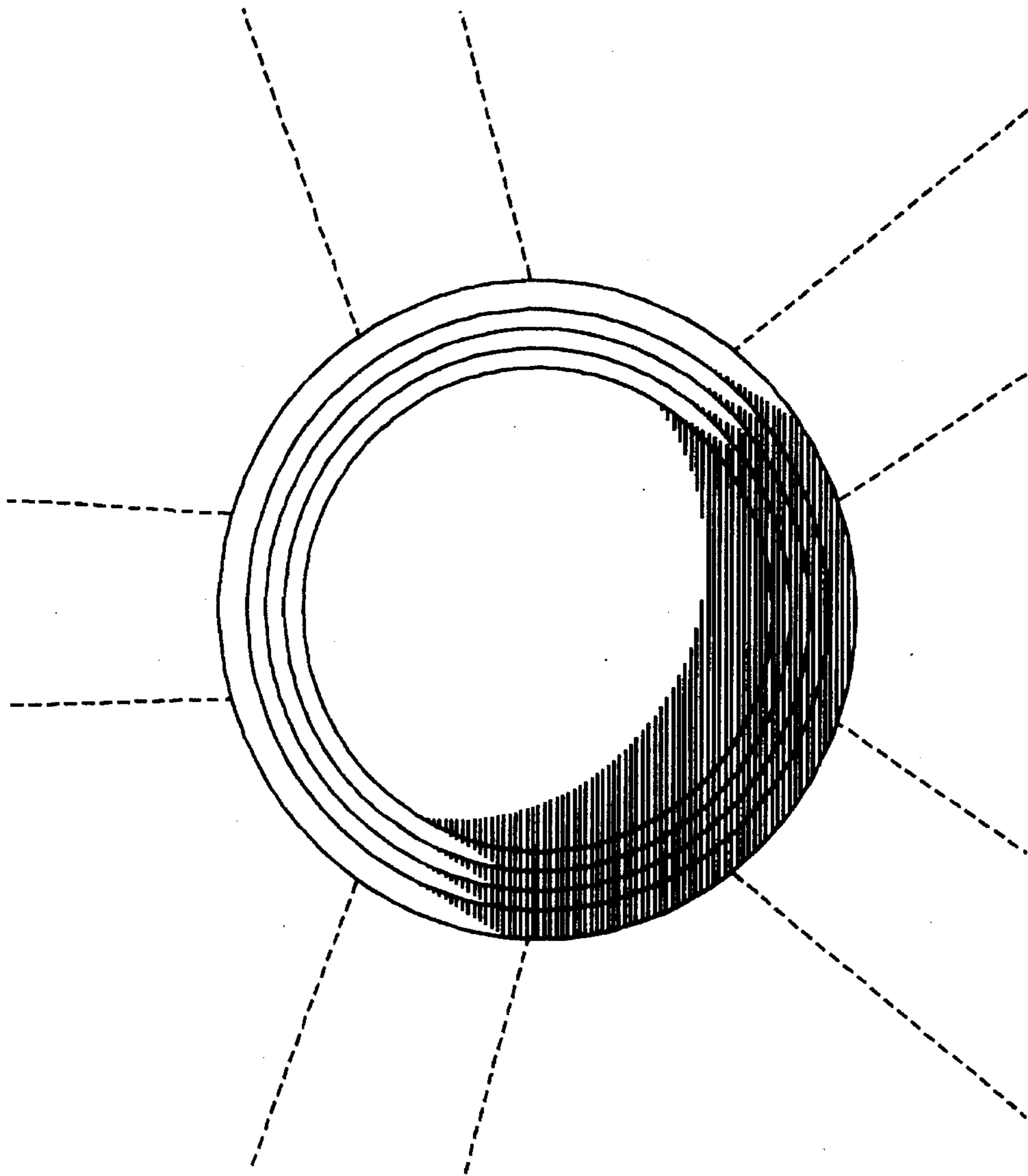


fig. 4