



US00D372078S

United States Patent [19] Cunning

[11] Patent Number: **Des. 372,078**
[45] Date of Patent: ****Jul. 23, 1996**

[54] **COMBINED AIR CLEANER AND HUMIDIFIER**
[75] Inventor: **Joseph M. Cunning**, Cohasset, Mass.
[73] Assignee: **Holmes Products Corp.**, Milford, Mass.
[**] Term: **14 Years**
[21] Appl. No.: **7,389**
[22] Filed: **Apr. 21, 1993**
[52] U.S. Cl. **D23/356; D23/355; D23/364**
[58] Field of Search **D23/355, 364, D23/365, 356-363, 370, 381, 335, 332, 328; 392/395, 403, 405; 422/120, 123; 261/107, 104; 55/471, 234; 96/97**

D. 296,129 6/1988 Goodrich et al. .
D. 326,513 5/1992 Kanazawa D23/364
D. 340,510 10/1993 Wood et al. D23/364
5,234,162 8/1993 Sullivan 422/122
5,268,009 12/1993 Thompson et al. 55/DIG. 39

Primary Examiner—Lisa P. Lichtenstein
Attorney, Agent, or Firm—Kriegsman & Kriegsman

[57] CLAIM

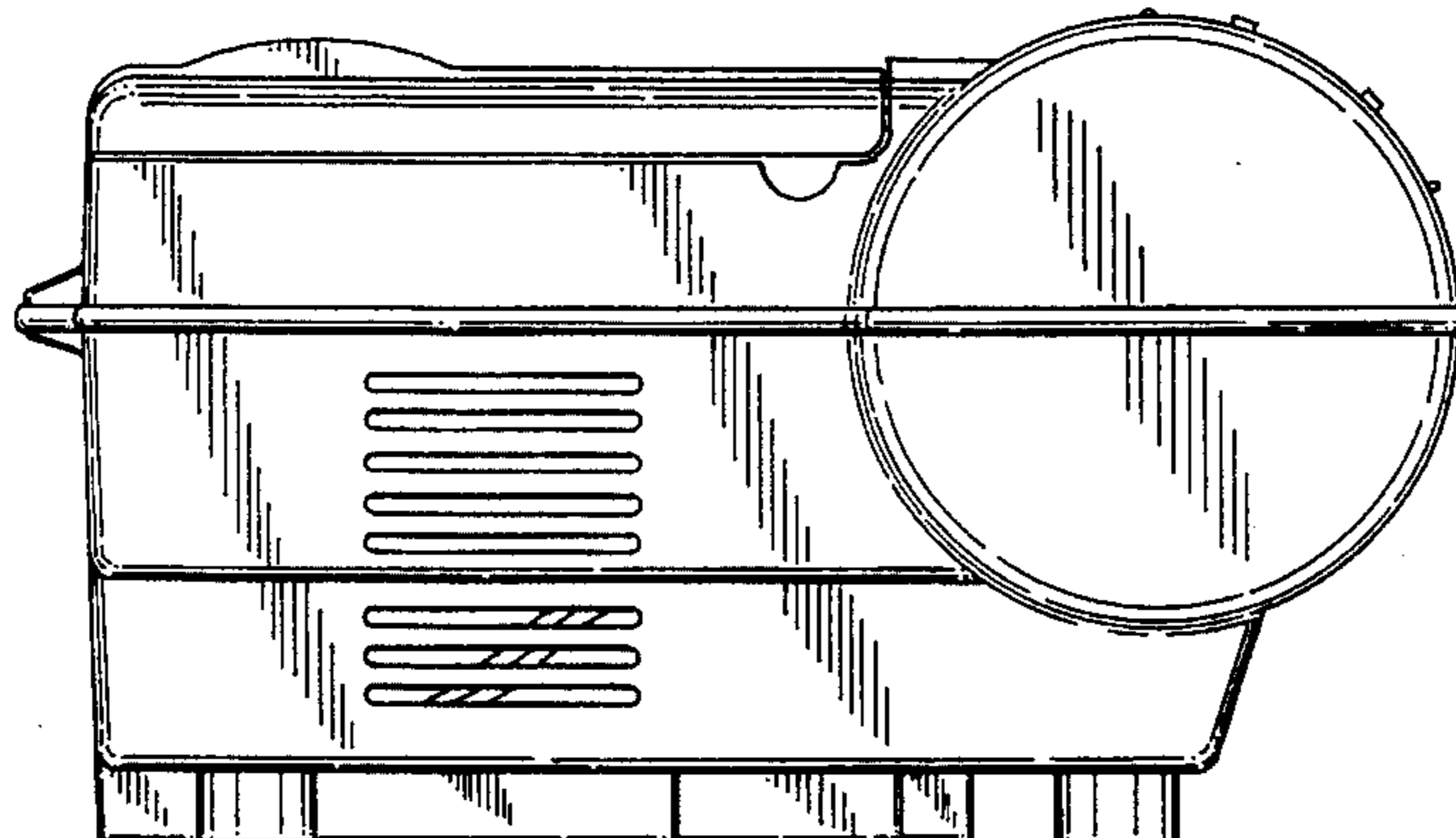
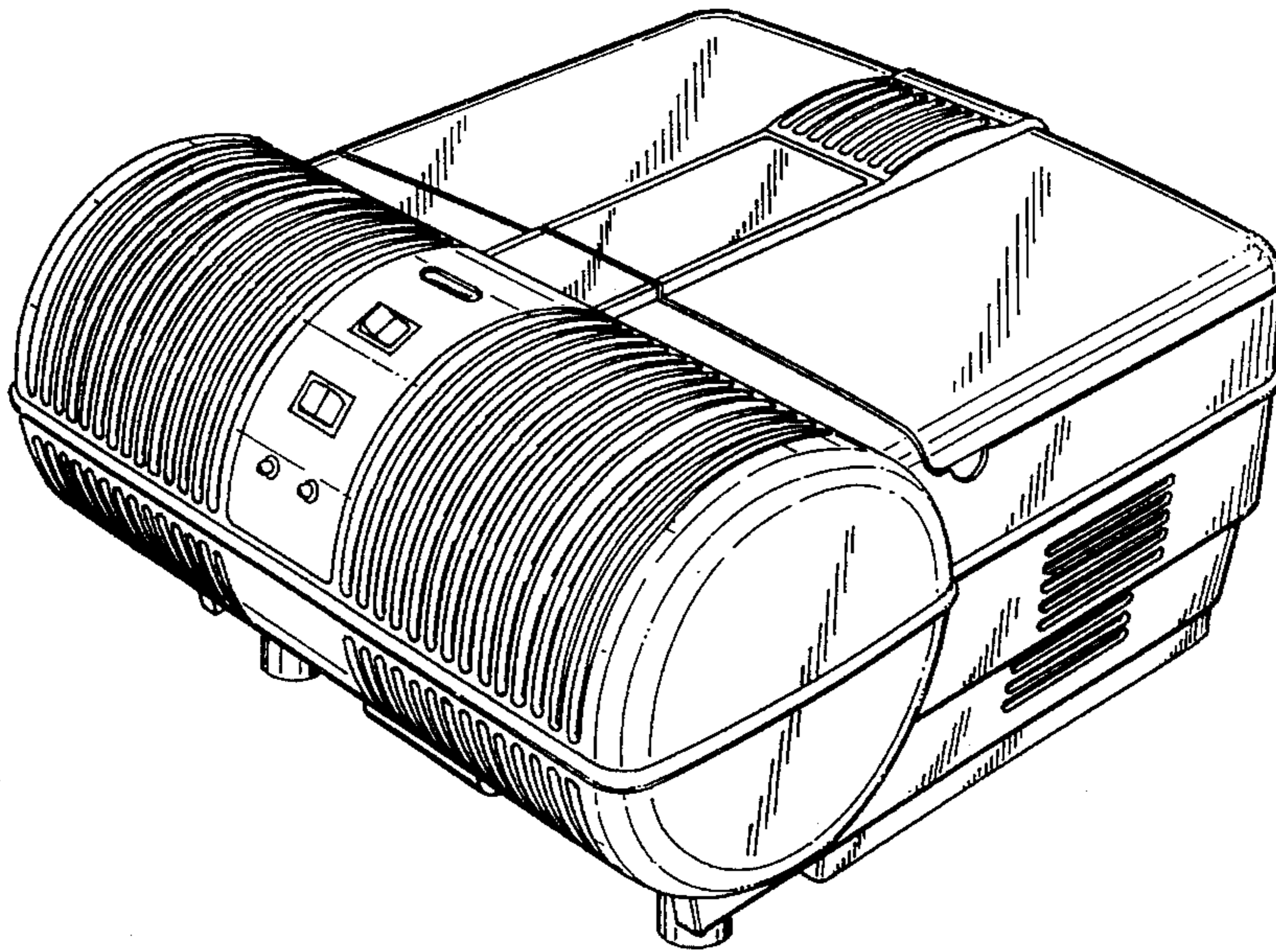
The ornamental design for a combined air cleaner and humidifier, as shown.

DESCRIPTION

FIG. 1 is a front, right, perspective view of a combined air cleaner and humidifier showing my new design; FIG. 2 is a front elevational view thereof; FIG. 3 is a rear elevational view thereof; FIG. 4 is a right side elevational view thereof; FIG. 5 is a left side elevational view thereof; FIG. 6 is a top plan view thereof; and, FIG. 7 is a bottom plan view thereof.

[56] **References Cited**
U.S. PATENT DOCUMENTS
D. 276,748 12/1984 Tsuji .
D. 285,603 9/1986 Martin .

1 Claim, 5 Drawing Sheets



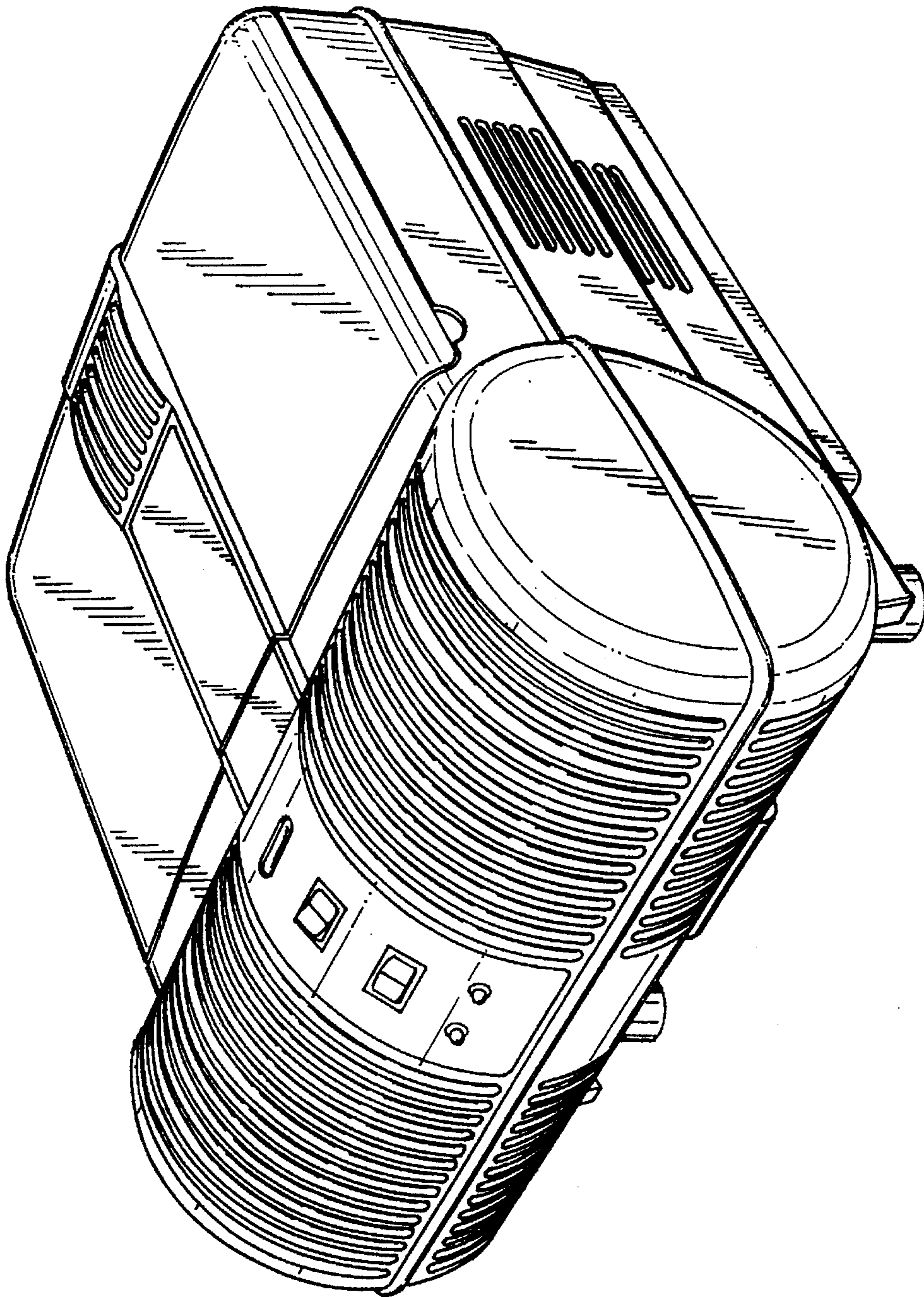


FIG. 1

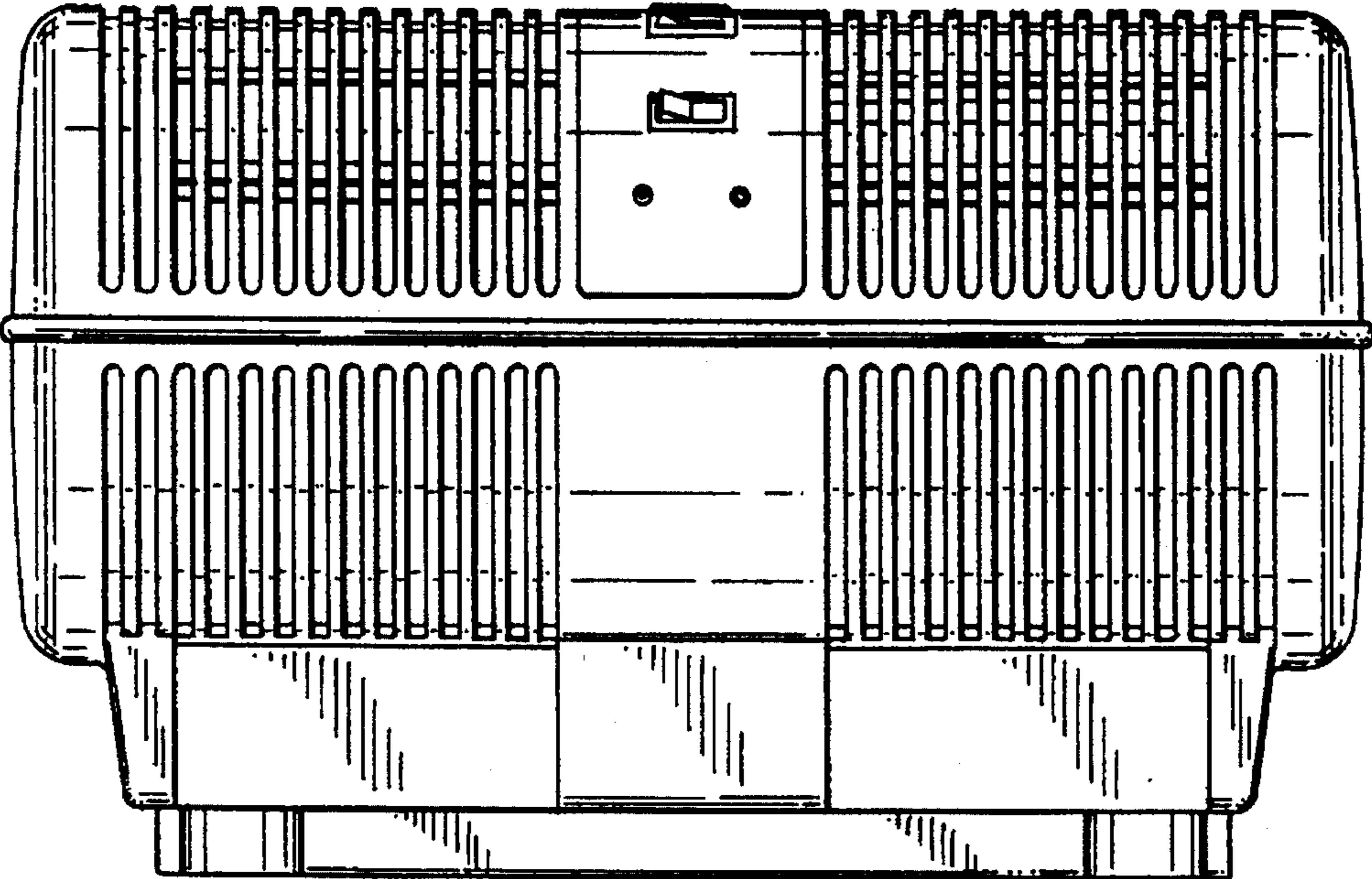


FIG. 2

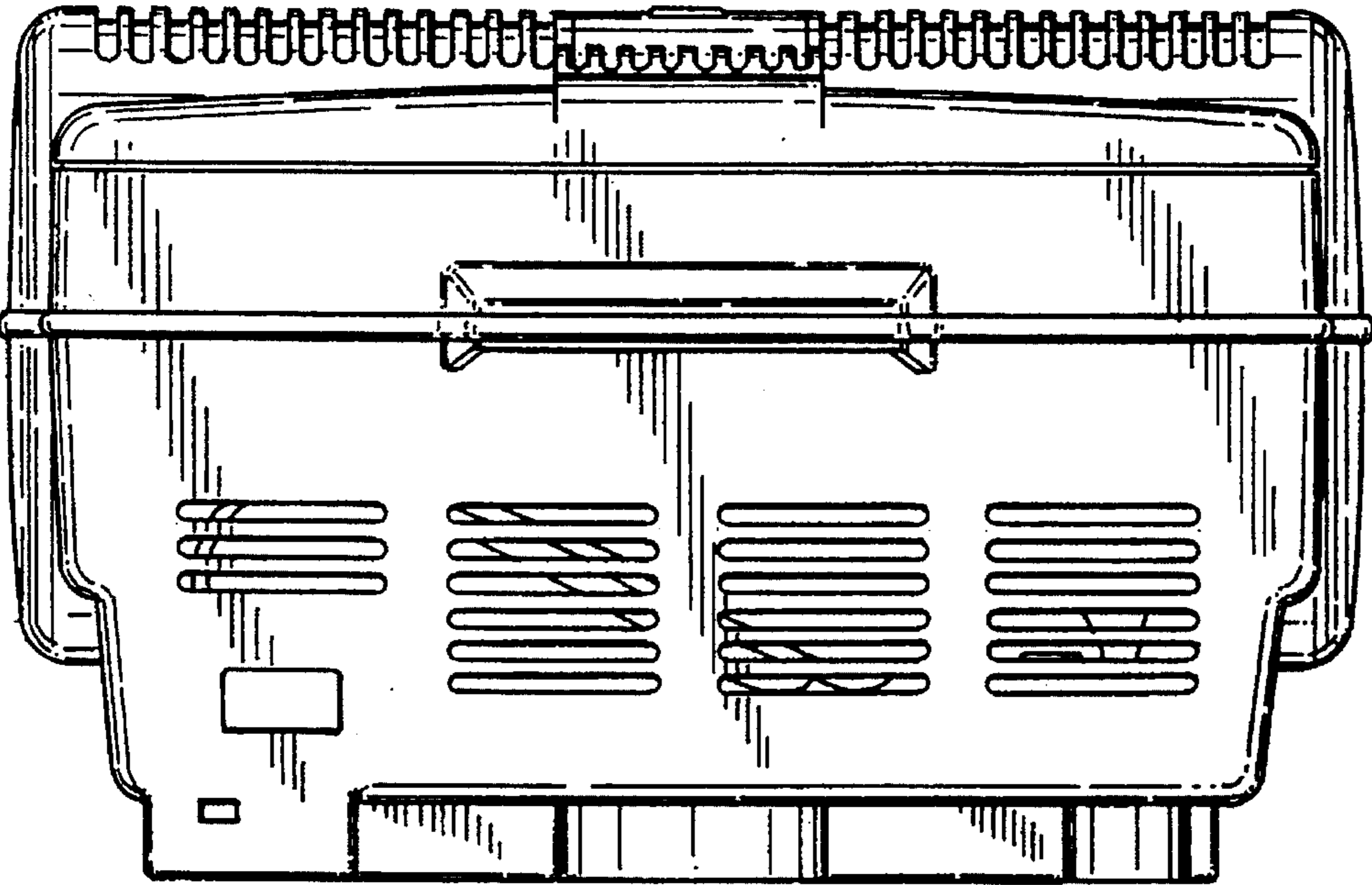


FIG. 3

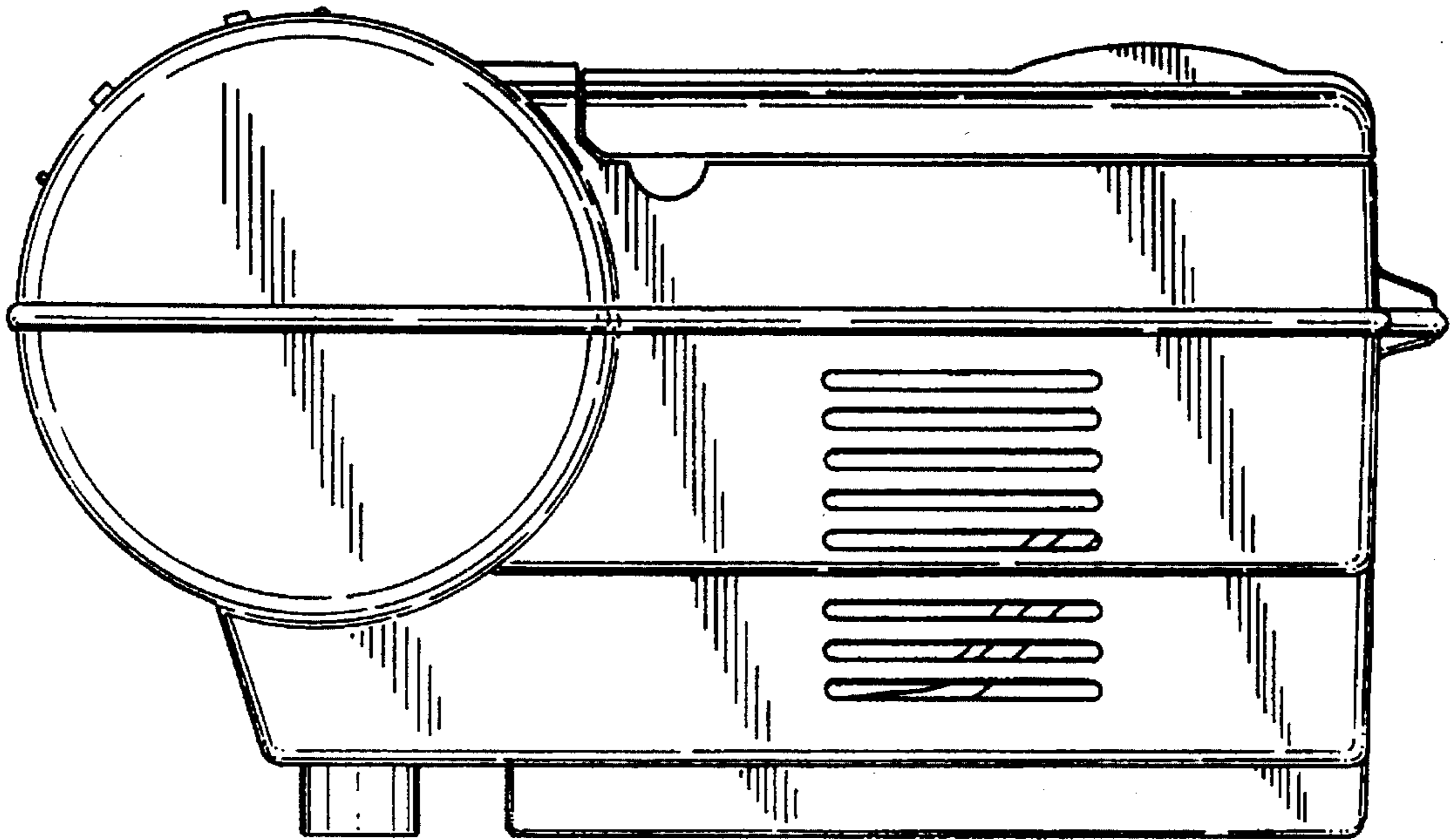


FIG. 4

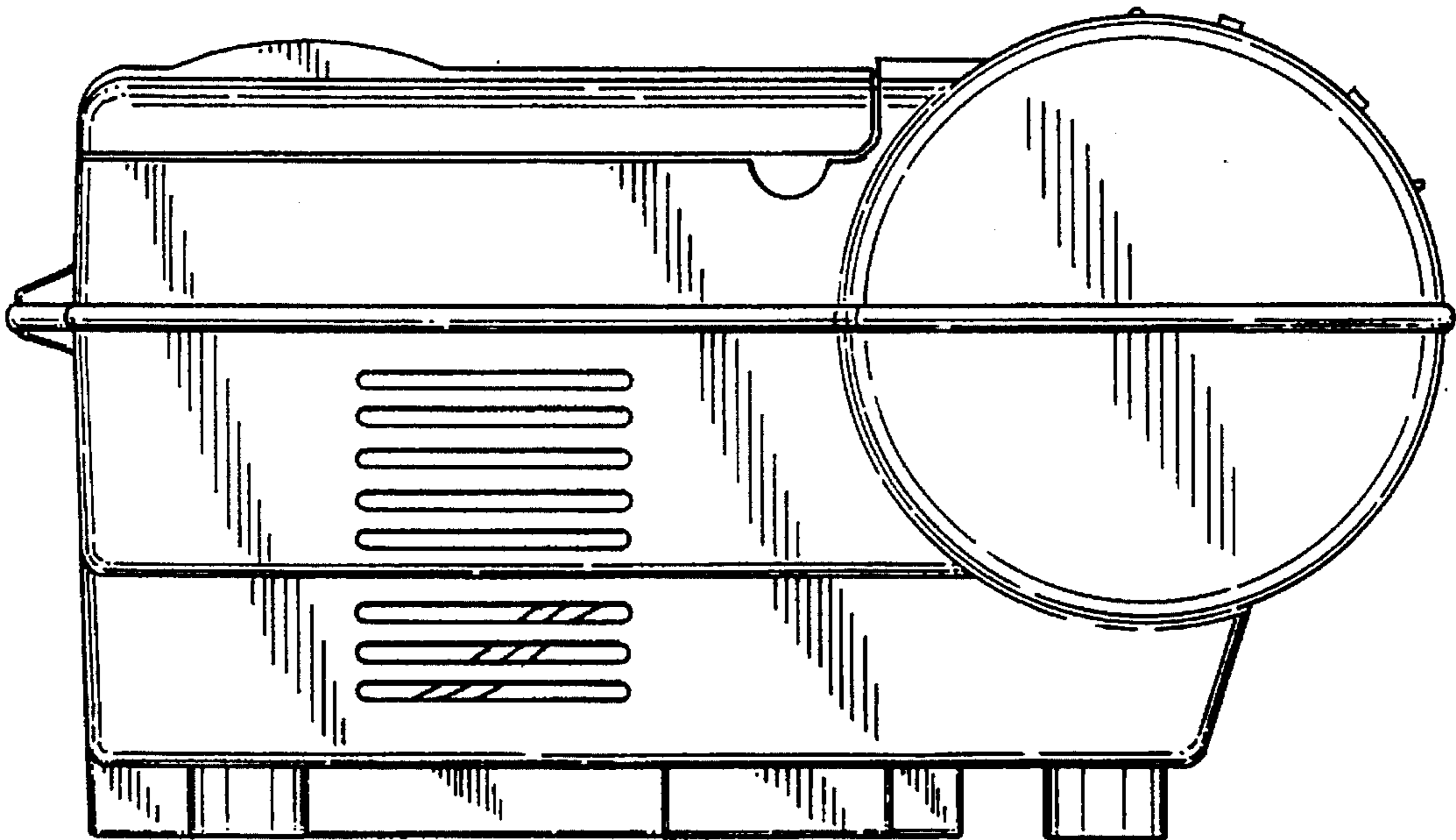


FIG. 5

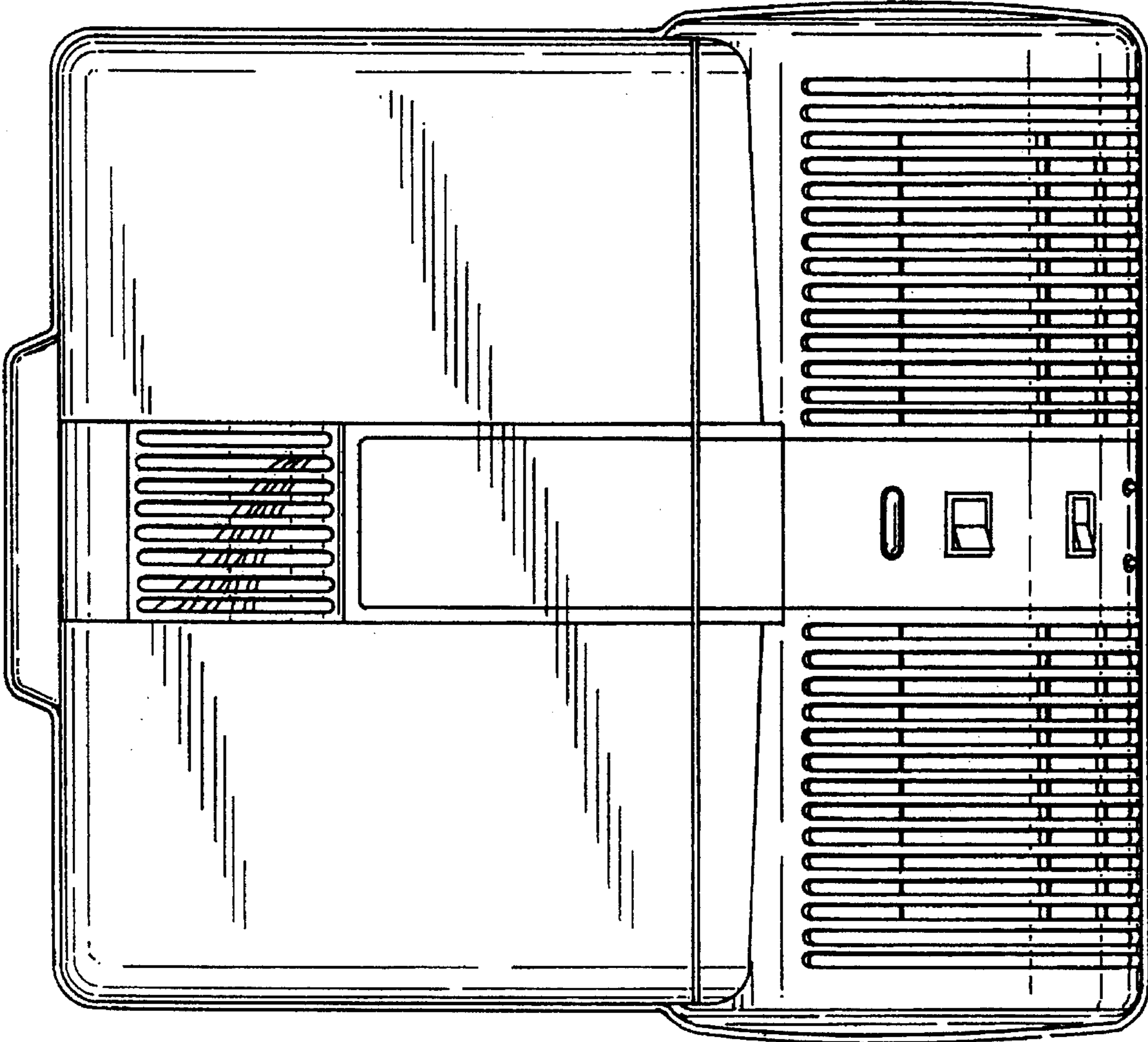


FIG. 6

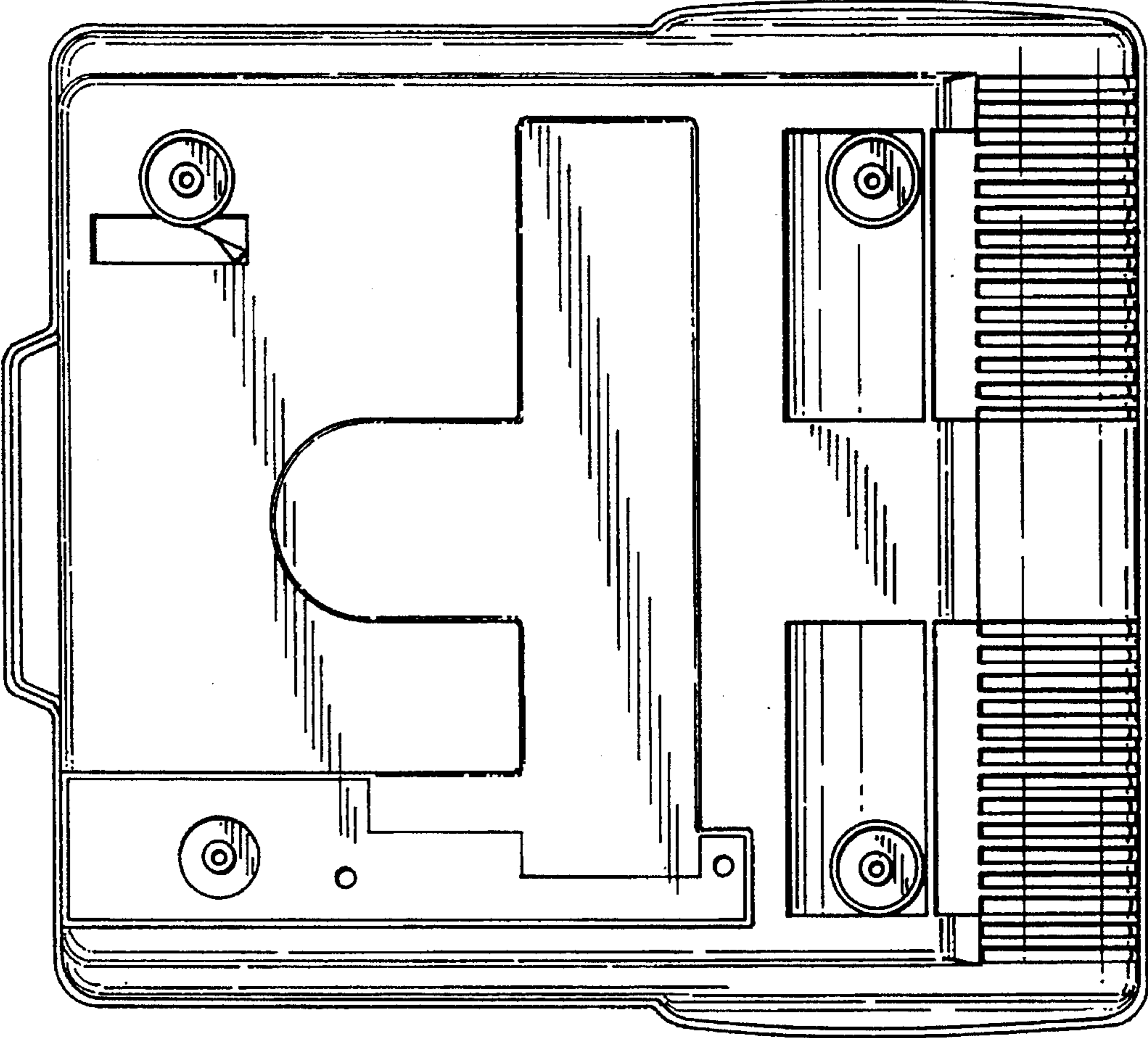


FIG. 7