



US00D372077S

# United States Patent [19]

Trueb et al.

[11] Patent Number: **Des. 372,077**

[45] Date of Patent: **\*\*Jul. 23, 1996**

[54] **UNDERSINK PROTECTIVE ENCLOSURE**

[75] Inventors: **Thomas W. Trueb; Steven R. Trueb**, both of Ellington, Conn.

[73] Assignee: **Truebro, Inc.**, Ellington, Conn.

[\*\*] Term: **14 Years**

[21] Appl. No.: **40,564**

[22] Filed: **Jun. 21, 1995**

[52] U.S. Cl. .... **D23/308**

[58] Field of Search ..... D23/302-311, D23/295-299; 4/661, 645, 233-239, 217, 242, 253, 311

[56] **References Cited**

**U.S. PATENT DOCUMENTS**

D. 46,438	9/1914	Mann	.....	D23/308
650,897	6/1900	Hinsdale	.....	4/311
2,496,684	2/1950	Upchurch	.....	4/654
4,646,370	3/1987	Risberg et al.	.....	4/661
4,862,528	9/1989	Clarke et al.	.....	4/661
5,253,376	10/1993	Fait	.....	4/661
5,363,517	11/1994	Bostolas	.....	4/661

**OTHER PUBLICATIONS**

Federal Government Issued Specification Sheet For Under-Fixture Enclosure FIGS. B4.18.4 and B4.20.3.1.

*Primary Examiner*—Louis S. Zarfes

*Assistant Examiner*—Gregory Andoll

*Attorney, Agent, or Firm*—Ira S. Dorman

[57] **CLAIM**

The ornamental design for an undersink protective enclosure, as shown.

**DESCRIPTION**

FIG. 1 is a perspective view of the undersink protective enclosure of the invention;

FIG. 2 is a side elevational view of the undersink protective enclosure of the invention;

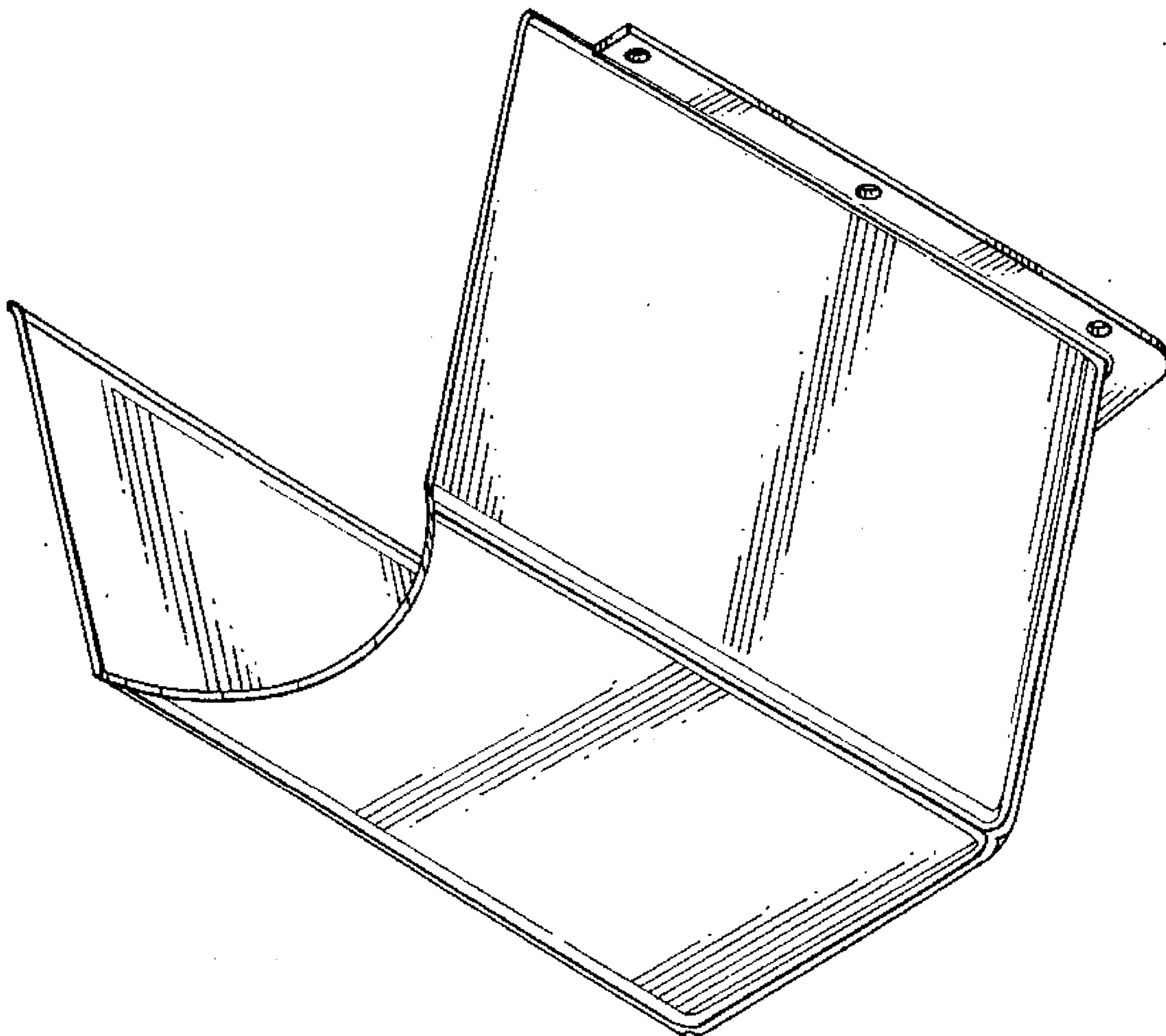
FIG. 3 is a bottom view of the undersink protective enclosure of the invention;

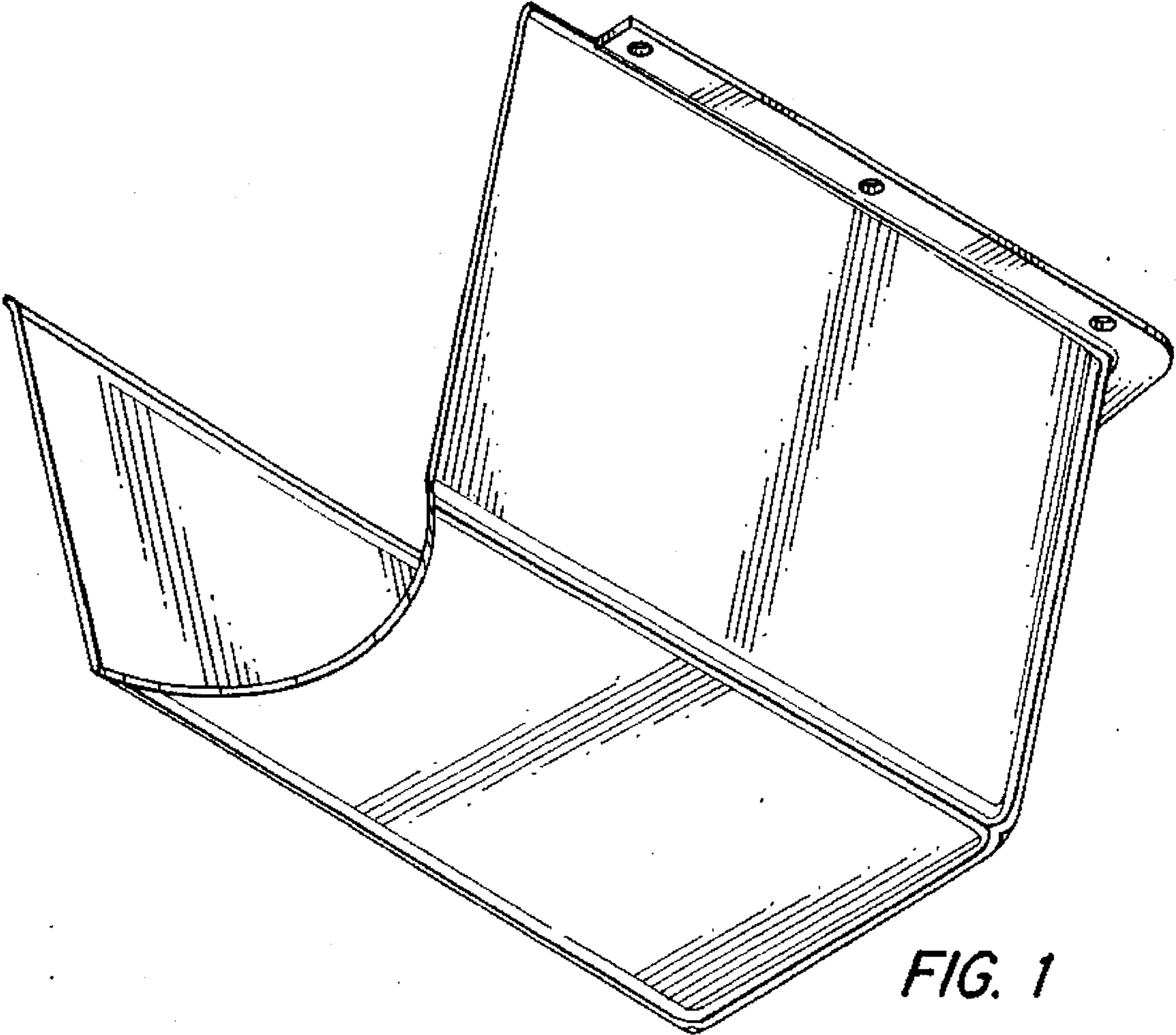
FIG. 4 is a front view of the undersink protective enclosure of the invention;

FIG. 5 is a top view of the undersink protective enclosure of the invention; and,

FIG. 6 is a rear view of the undersink protective enclosure of the invention.

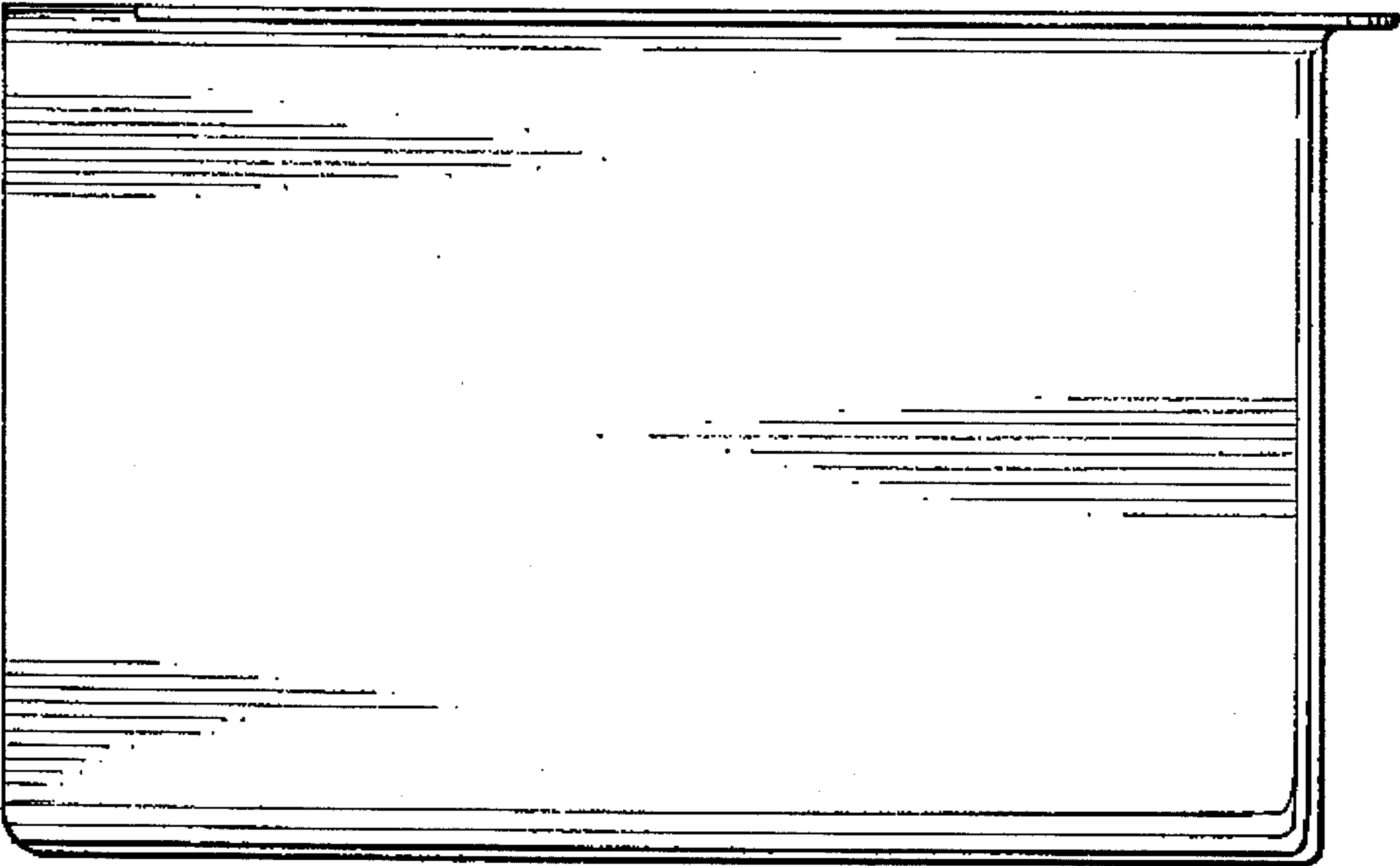
**1 Claim, 3 Drawing Sheets**





*FIG. 1*

*FIG. 2*



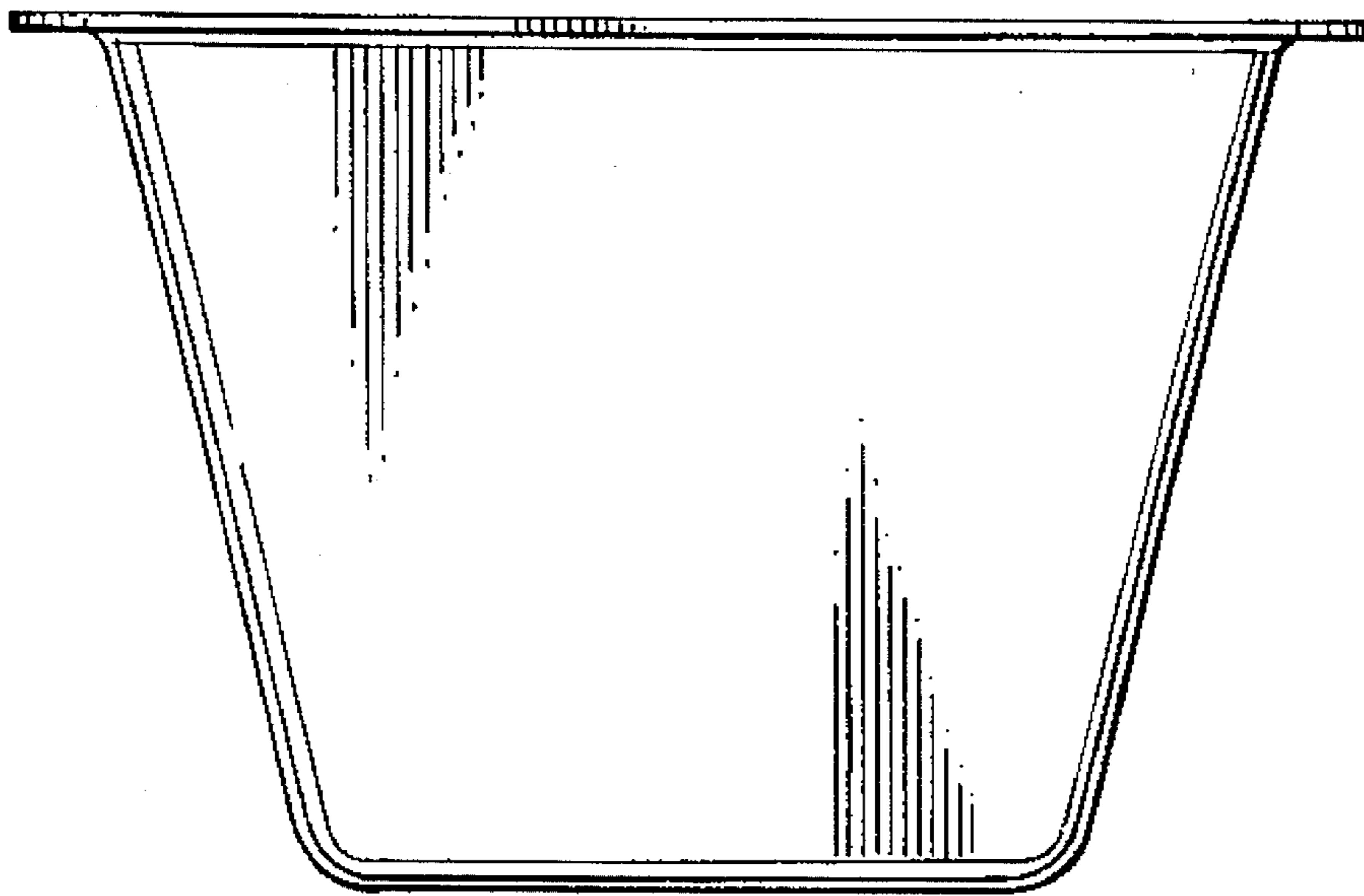


FIG. 3

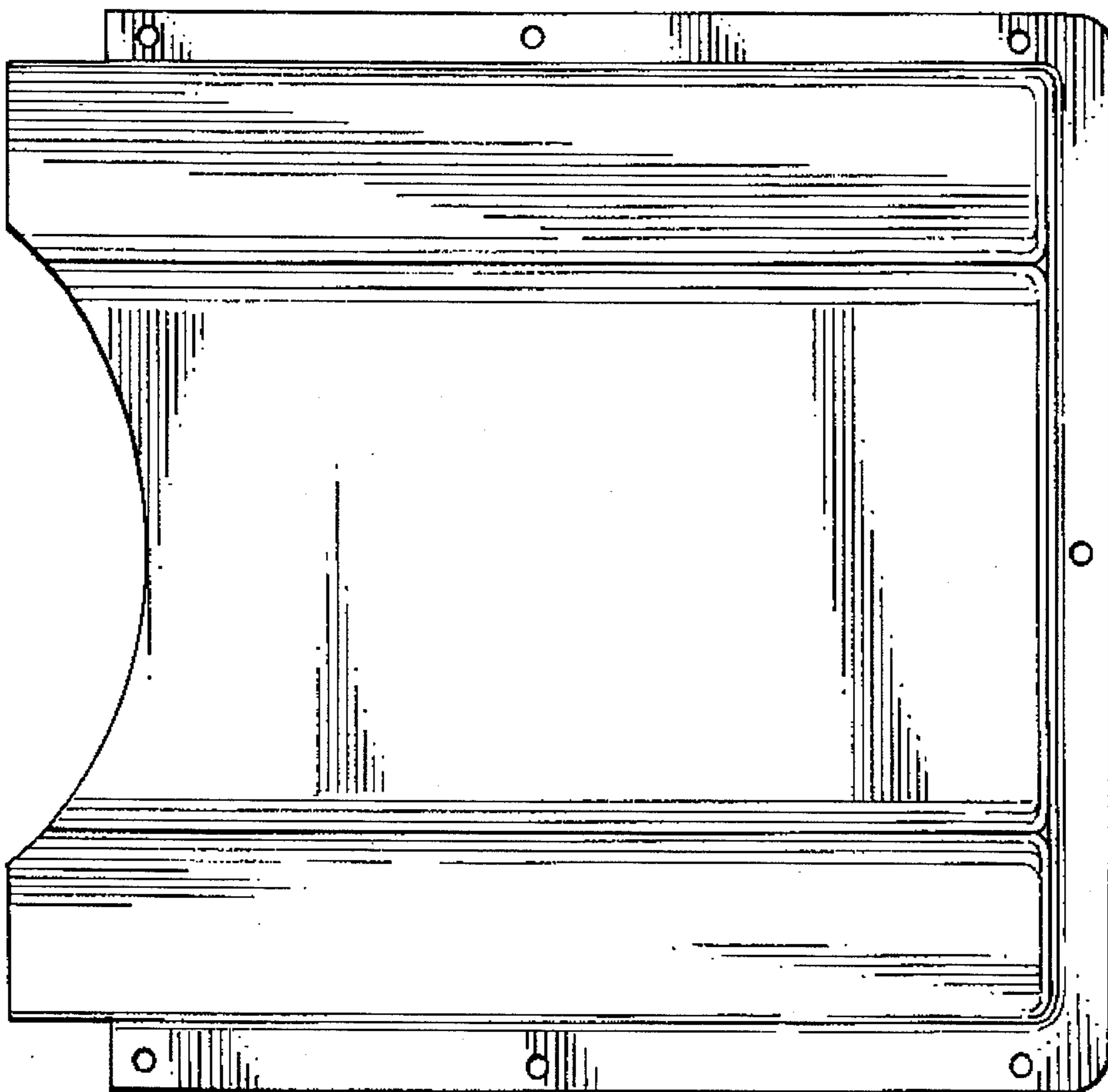


FIG. 4

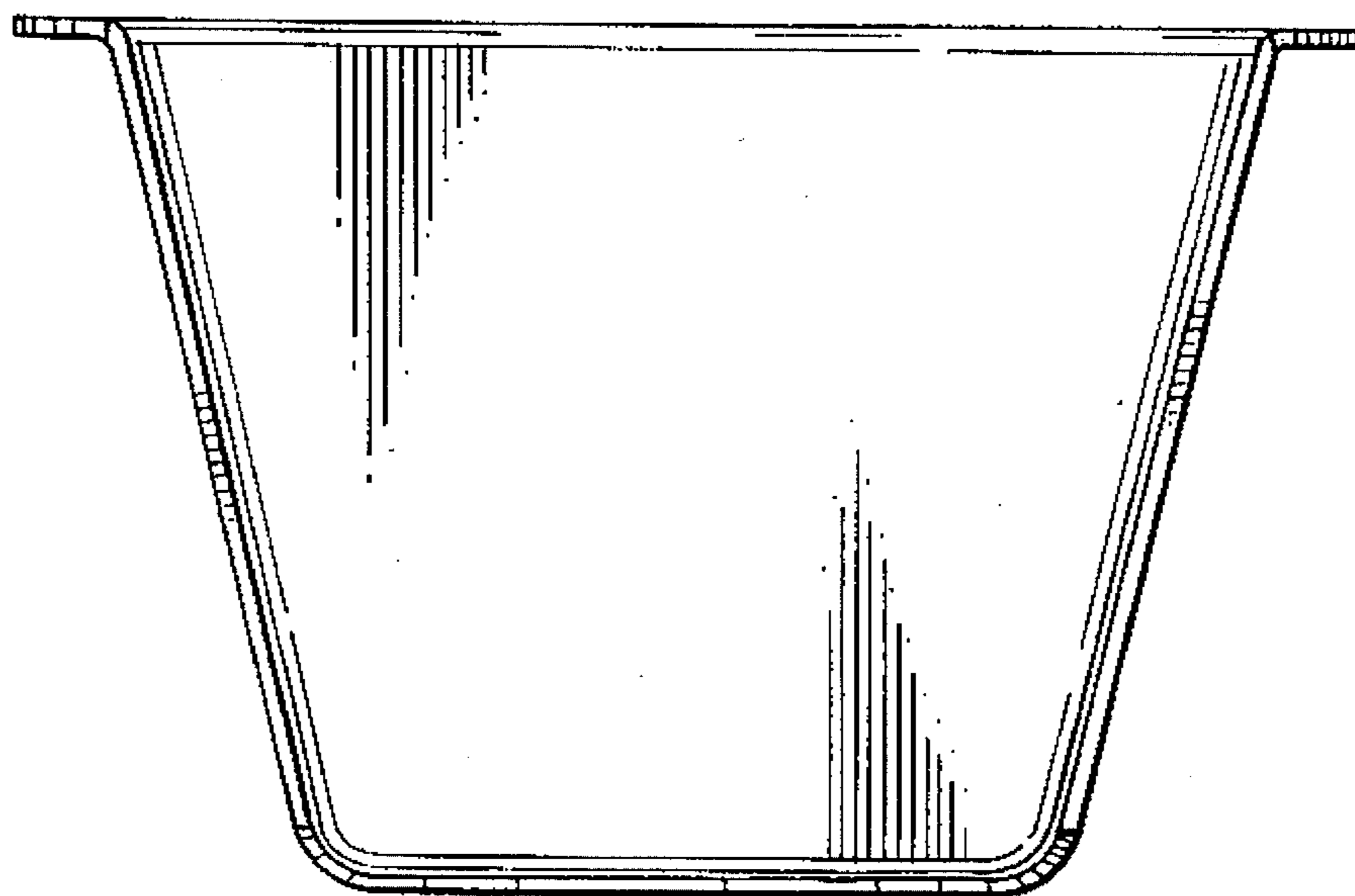


FIG. 5

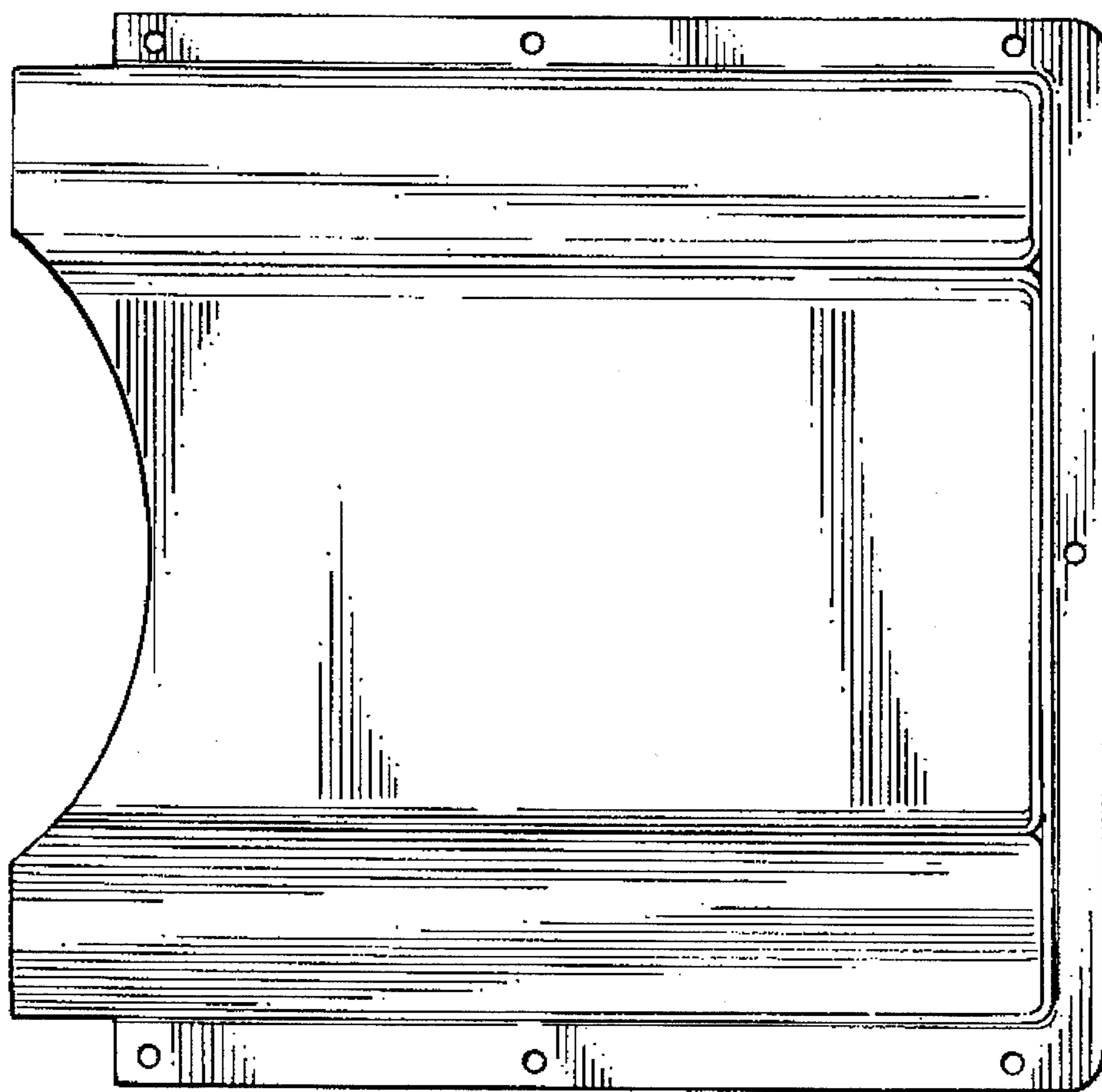


FIG. 6