



US00D372076S

# United States Patent [19]

[11] Patent Number: **Des. 372,076**

White

[45] Date of Patent: **\*\*Jul. 23, 1996**

[54] **TOILET PEDESTAL**

4,631,759 12/1986 Stizasser ..... 4/252.1

[76] Inventor: **Walter E. White**, P.O. Box 1217, St. Francisville, La. 70775

*Primary Examiner*—Louis S. Zarfes  
*Assistant Examiner*—Greg Andoll  
*Attorney, Agent, or Firm*—John M. Harrison

[\*\*] Term: **14 Years**

[57] **CLAIM**

[21] Appl. No.: **32,982**

The ornamental design for a toilet pedestal, as shown and described.

[22] Filed: **Jan. 3, 1995**

[52] U.S. Cl. .... **D23/304**

**DESCRIPTION**

[58] **Field of Search** ..... D23/309, 304, D23/305, 311, 312, 295, 297; 4/234, 420, 661, 252.1-252.6, 254, 217, 242.1, 245.1, 253; 264/271.1

FIG. 1 is a perspective view of the toilet pedestal, showing my new design;  
FIG. 2 is a top elevation of the toilet pedestal;  
FIG. 3 is a bottom elevation thereof;  
FIG. 4 is a front elevation thereof; and,  
FIG. 5 is a right side elevation of the toilet pedestal illustrated in FIGS. 1-4.

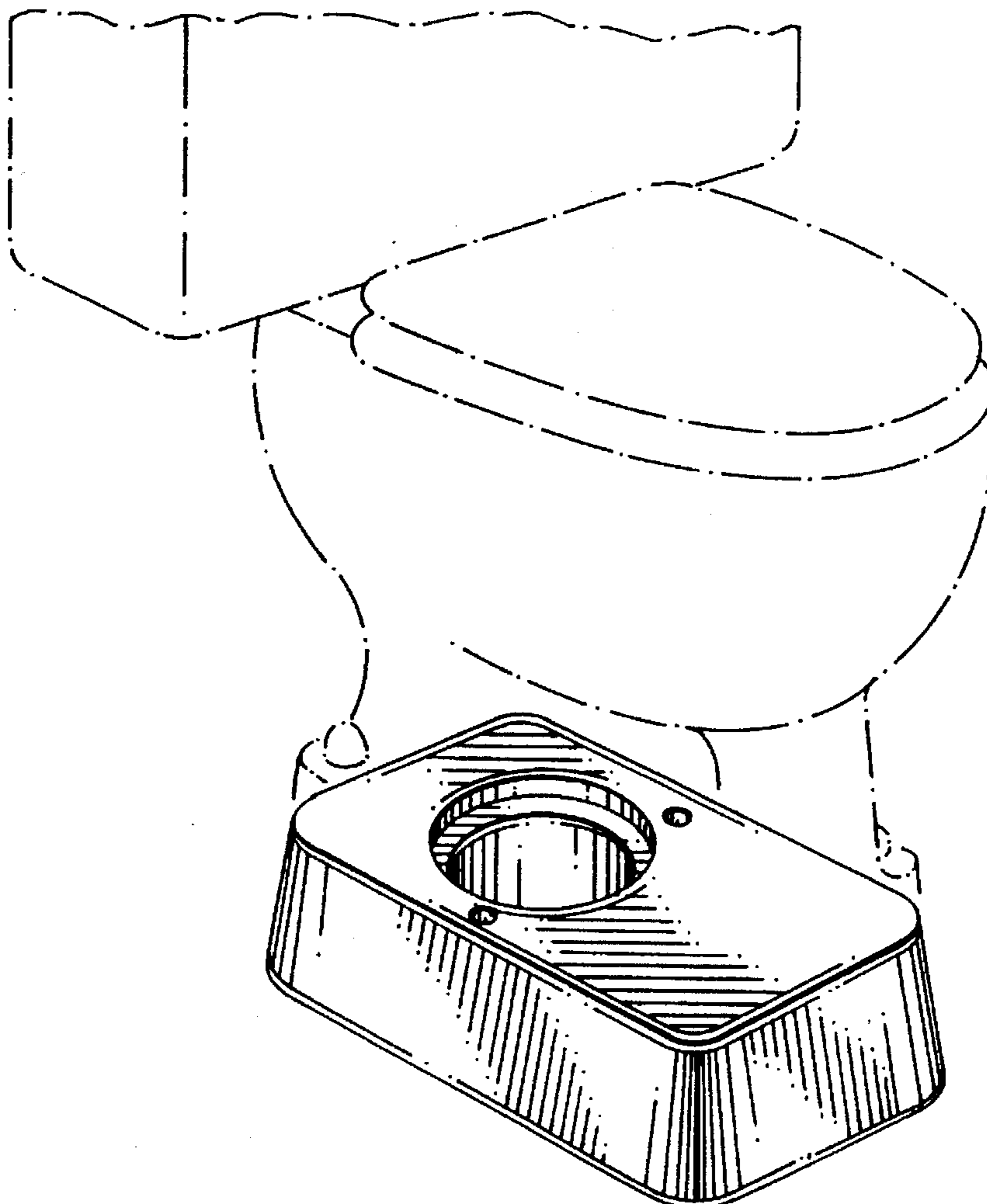
[56] **References Cited**

**U.S. PATENT DOCUMENTS**

623,311	4/1899	Howell	.....	4/252.1
2,404,124	7/1946	Roches	.....	4/234
2,992,439	7/1961	Tassel	.....	4/254
4,328,179	5/1982	Garasi et al.	.....	264/271.1

The broken line showing of the toilet is for illustrative purposes only and forms no part of the claimed design.

**1 Claim, 1 Drawing Sheet**



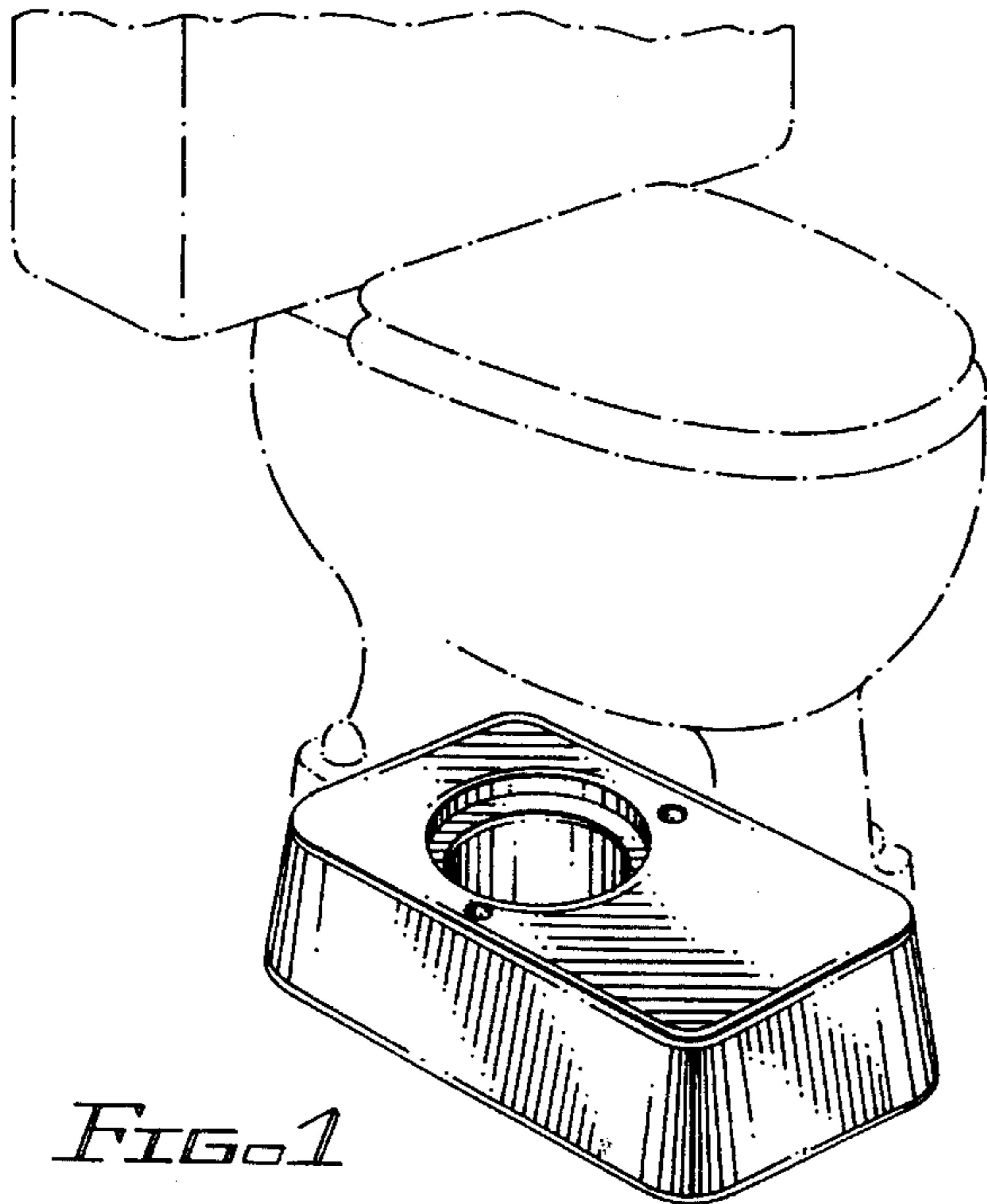


FIG. 1

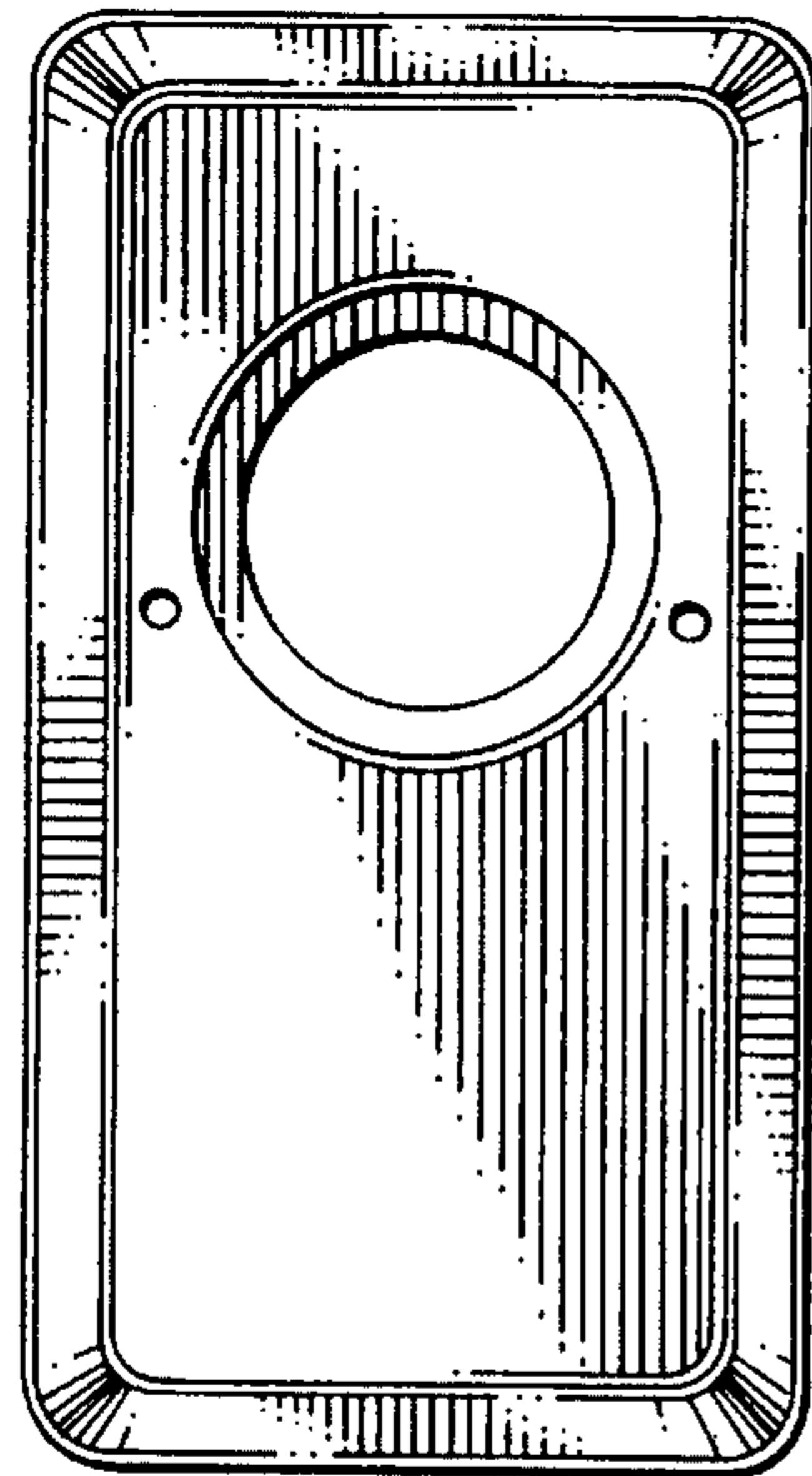


FIG. 2

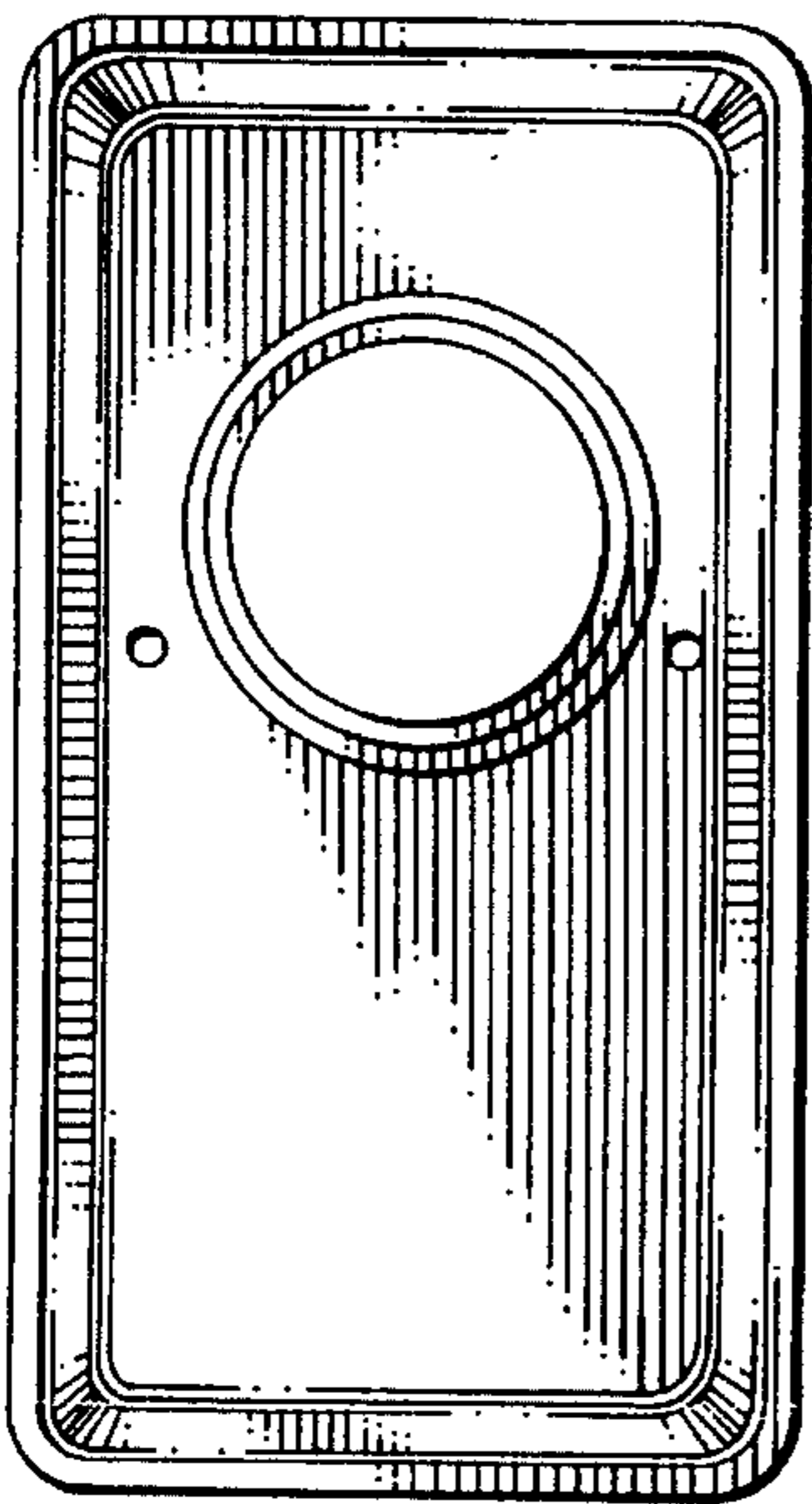


FIG. 3

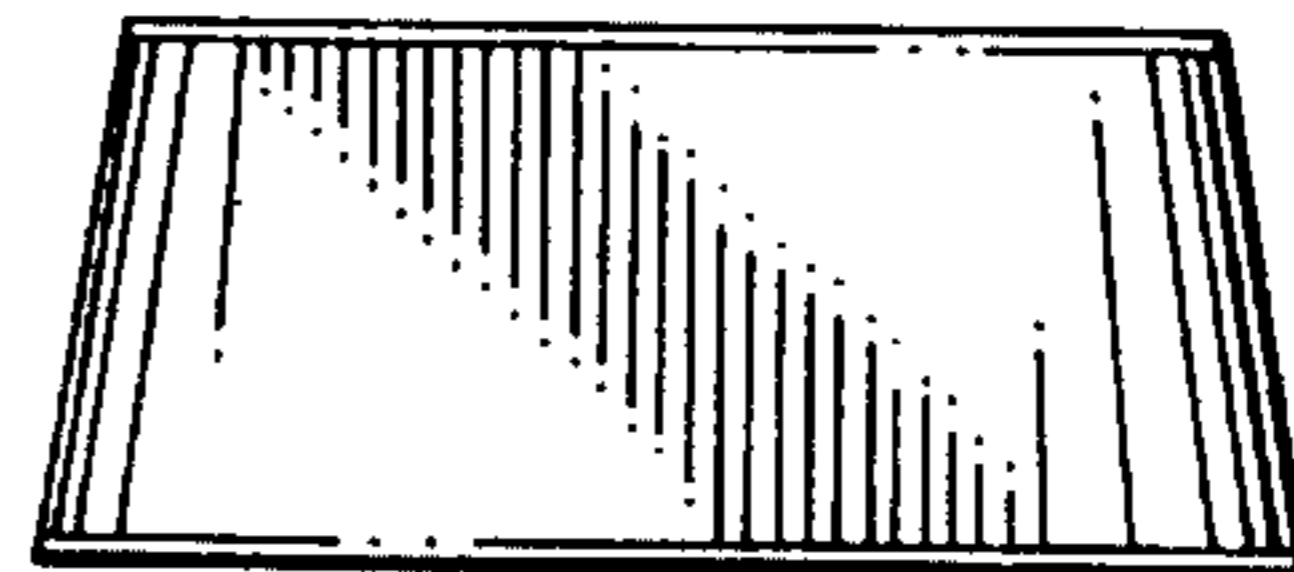


FIG. 4

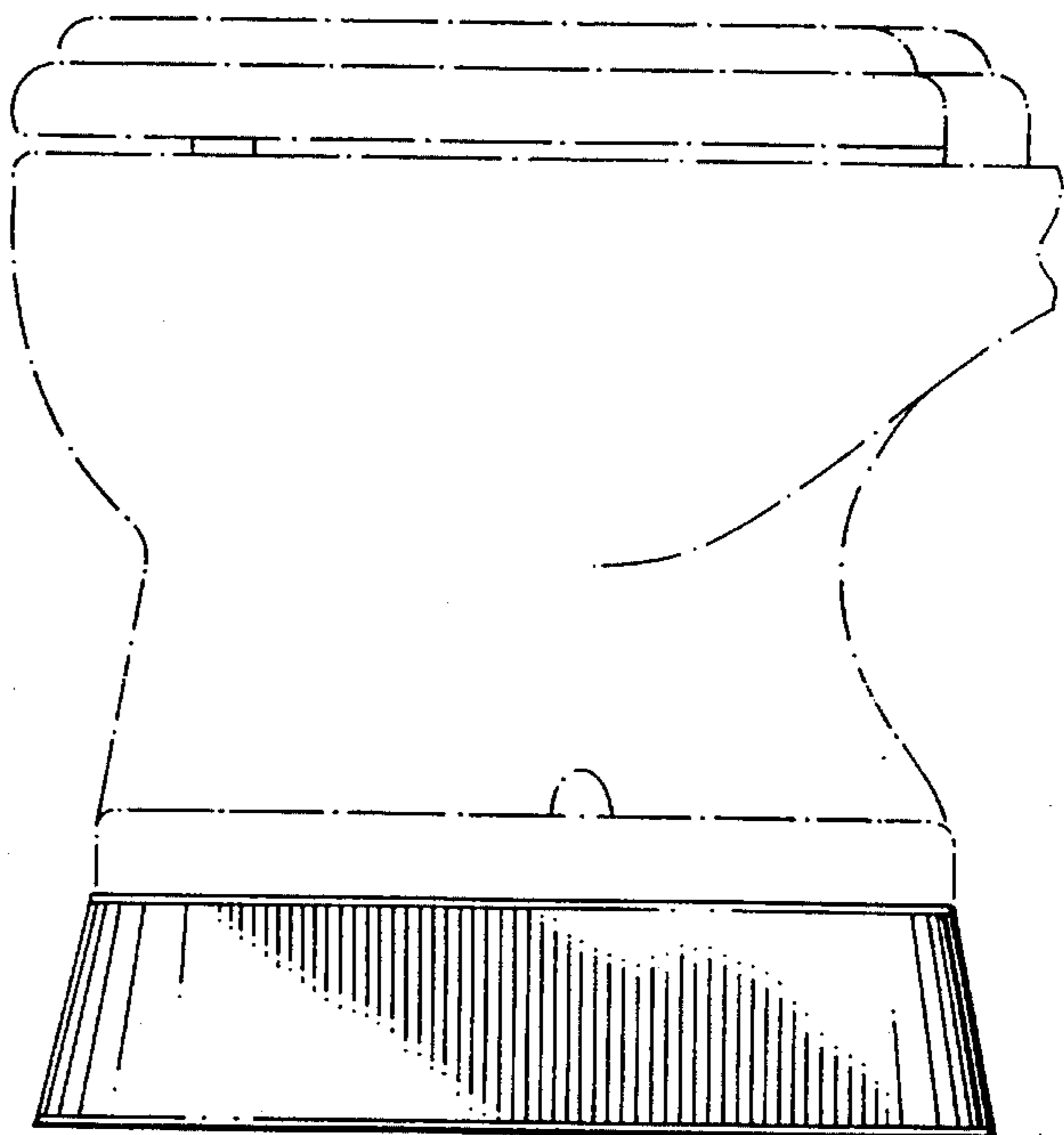


FIG. 5