



US00D372075S

United States Patent [19] Baxley

[11] Patent Number: **Des. 372,075**
[45] Date of Patent: ****Jul. 23, 1996**

[54] **MALE URINAL**

2,594,339 4/1952 Dagent 4/144.1

[76] Inventor: **Dennis T. Baxley**, 8515 N. Highway
79, Black Hawk, S. Dak. 57718-8906

Primary Examiner—Stella Reid
Assistant Examiner—Eric Watterson
Attorney, Agent, or Firm—Harpman & Harpman

[**] Term: **14 Years**

[57] **CLAIM**

[21] Appl. No.: **38,166**

The ornamental design for a male urinal, as shown and described.

[22] Filed: **Apr. 28, 1995**

[52] U.S. Cl. **D23/302; D24/122**

DESCRIPTION

[58] Field of Search D23/302, 299;
D24/122, 121, 123, 105; 4/144.1, 144.2,
144.3, 144.4; 604/328, 329, 347, 350, 331,
349, 346

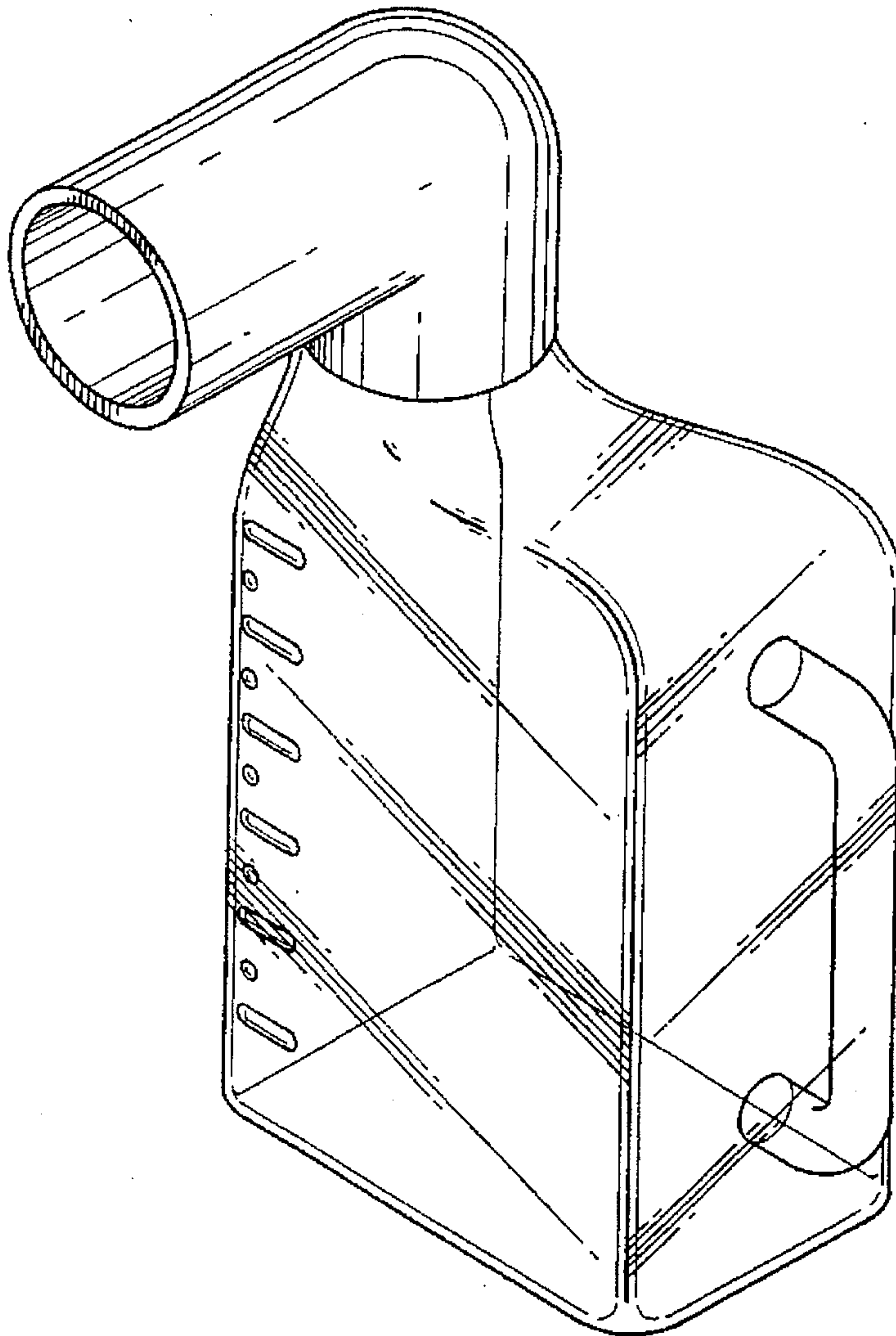
FIG. 1 is a front, top and side perspective view of a male urinal showing my new design;
FIG. 2 is a front elevational view thereof;
FIG. 3 is a rear elevational view thereof;
FIG. 4 is a right side elevational view thereof;
FIG. 5 is a left side elevational view thereof;
FIG. 6 is a top plan view thereof; and,
FIG. 7 is a bottom plan view thereof.

[56] **References Cited**

U.S. PATENT DOCUMENTS

D. 212,516	10/1968	Beich	D24/122
D. 245,267	8/1977	Gruber	D24/122
D. 286,569	11/1986	Dakao et al.	D24/122
1,801,030	4/1931	Vasse	4/144.1

1 Claim, 3 Drawing Sheets



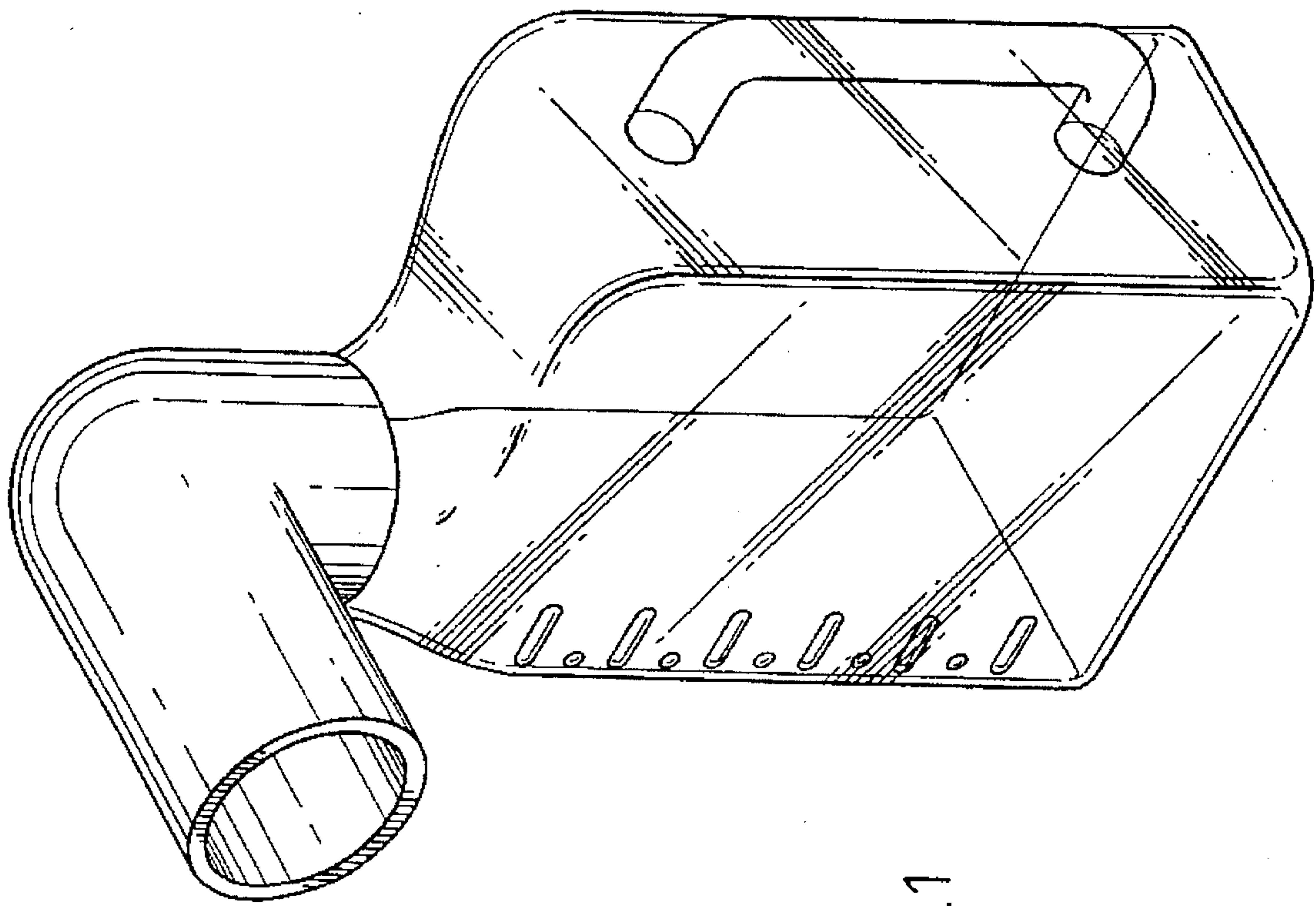


FIG.1

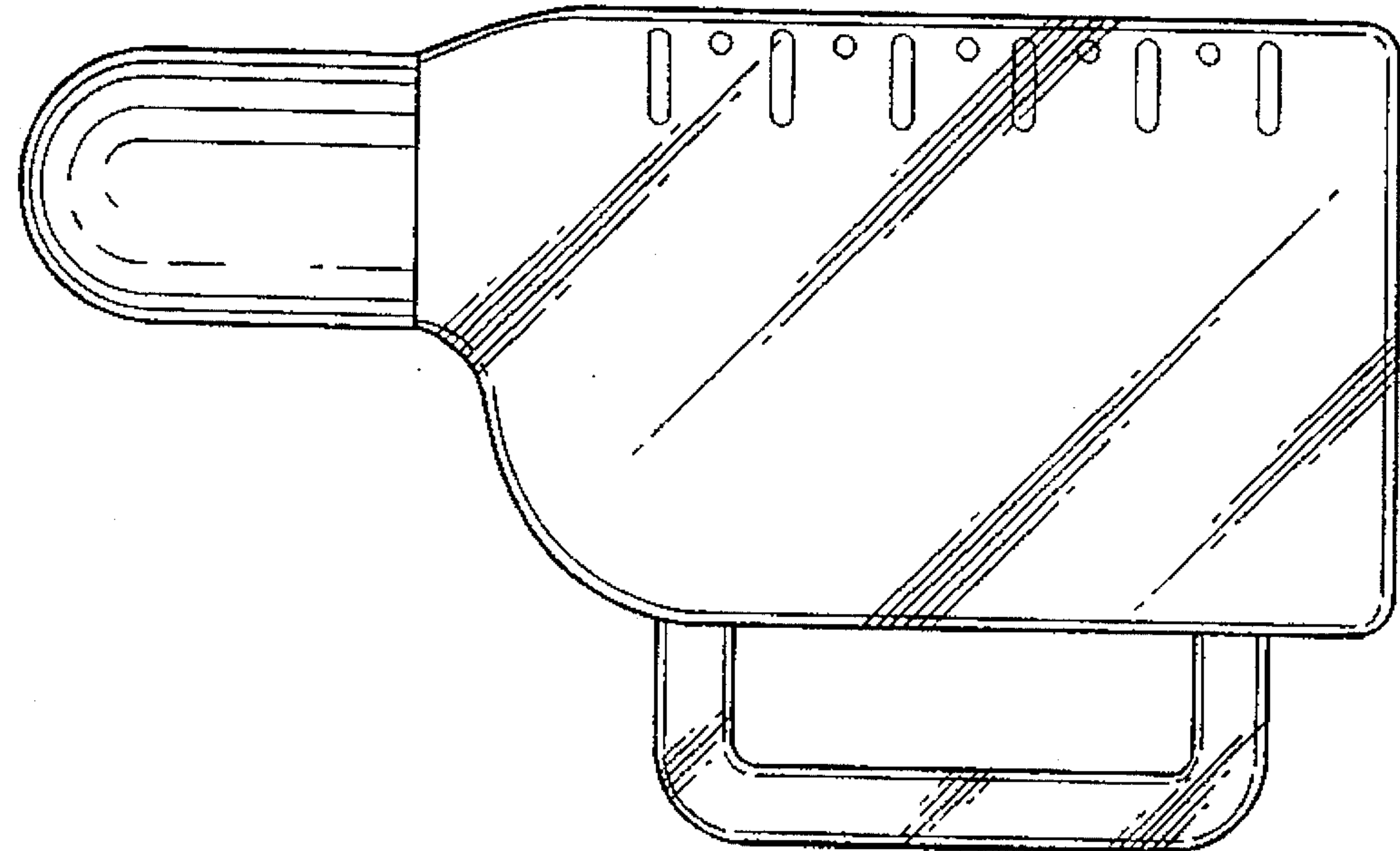


FIG. 3

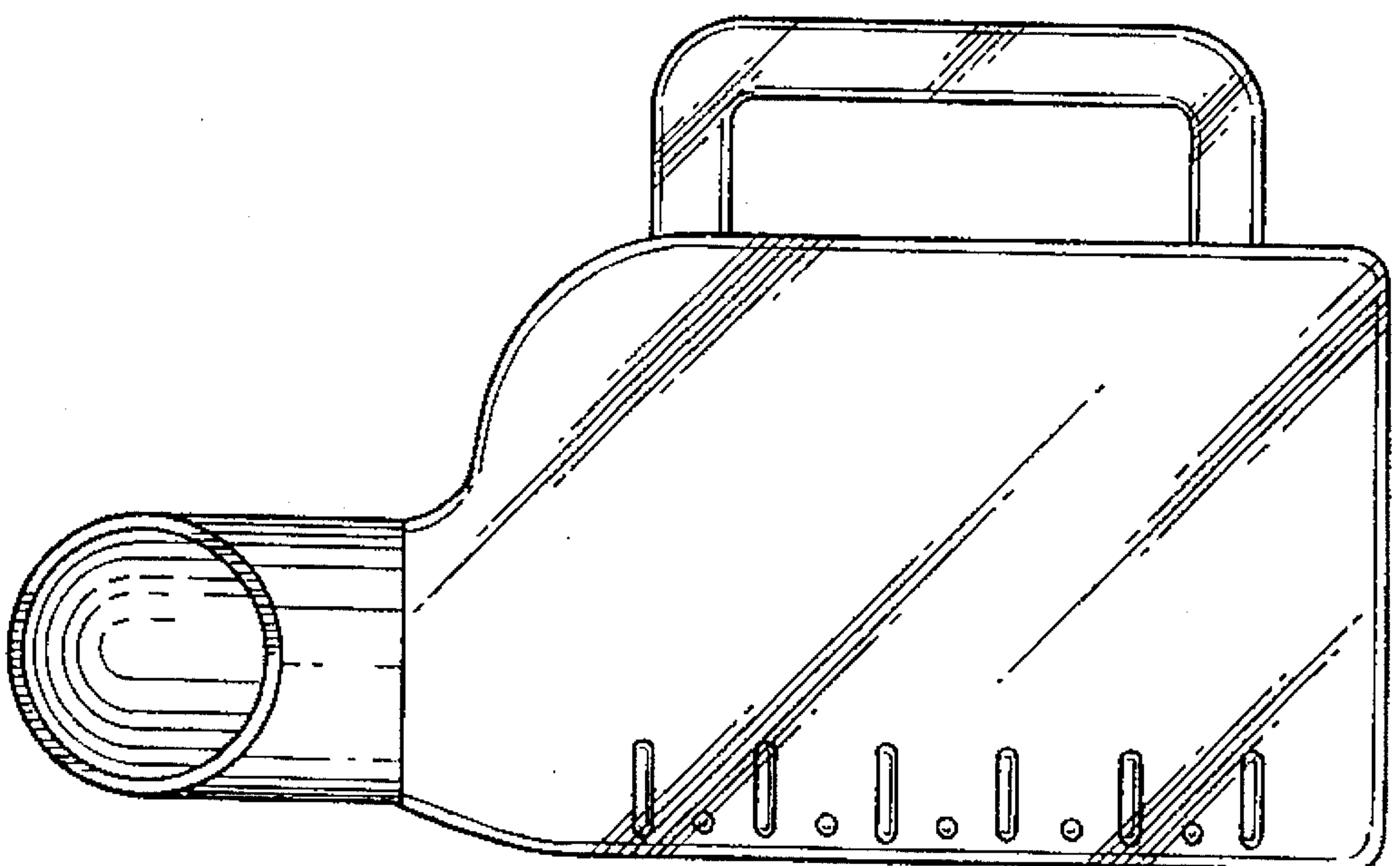


FIG. 2

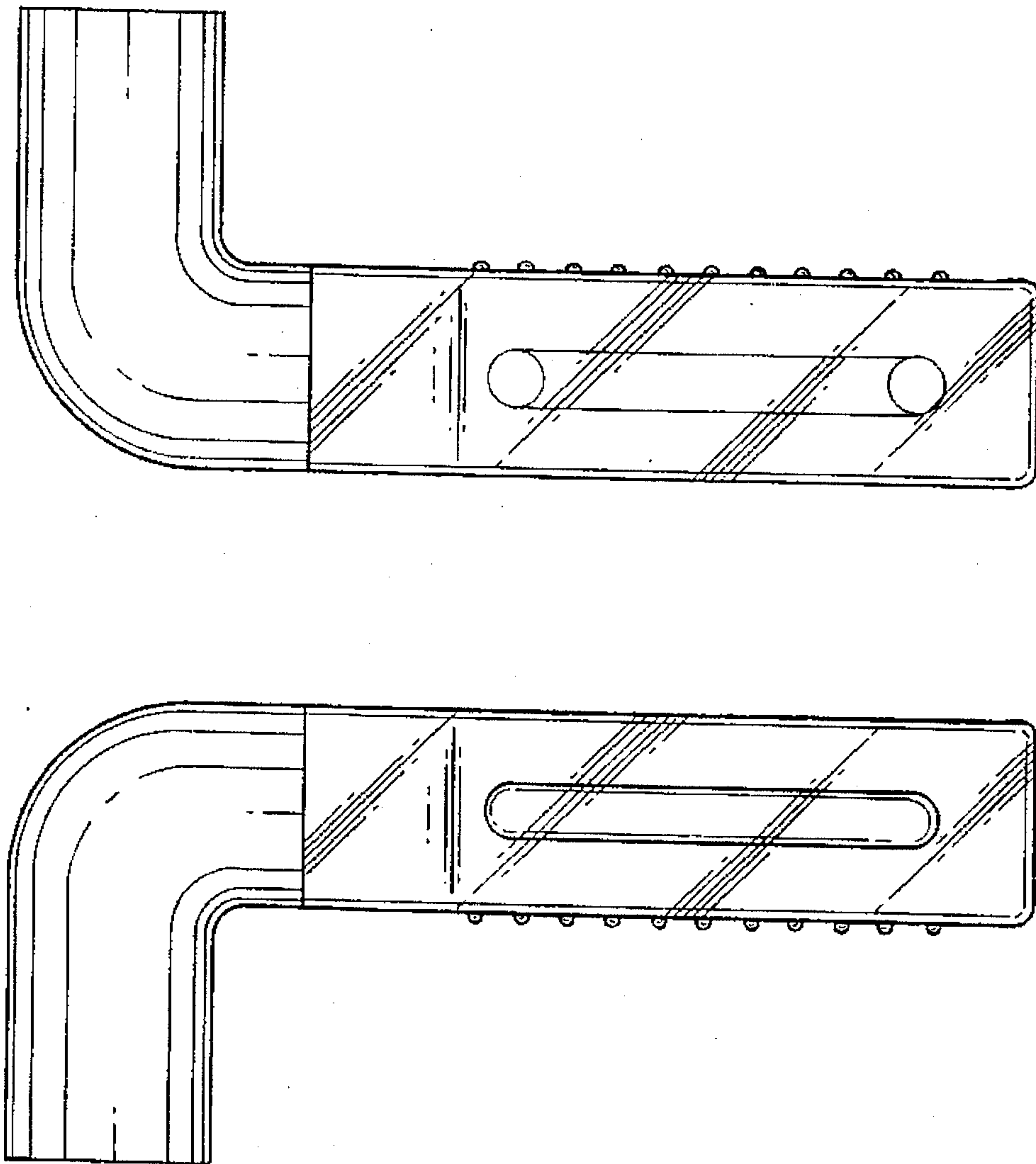


FIG. 4
FIG. 5

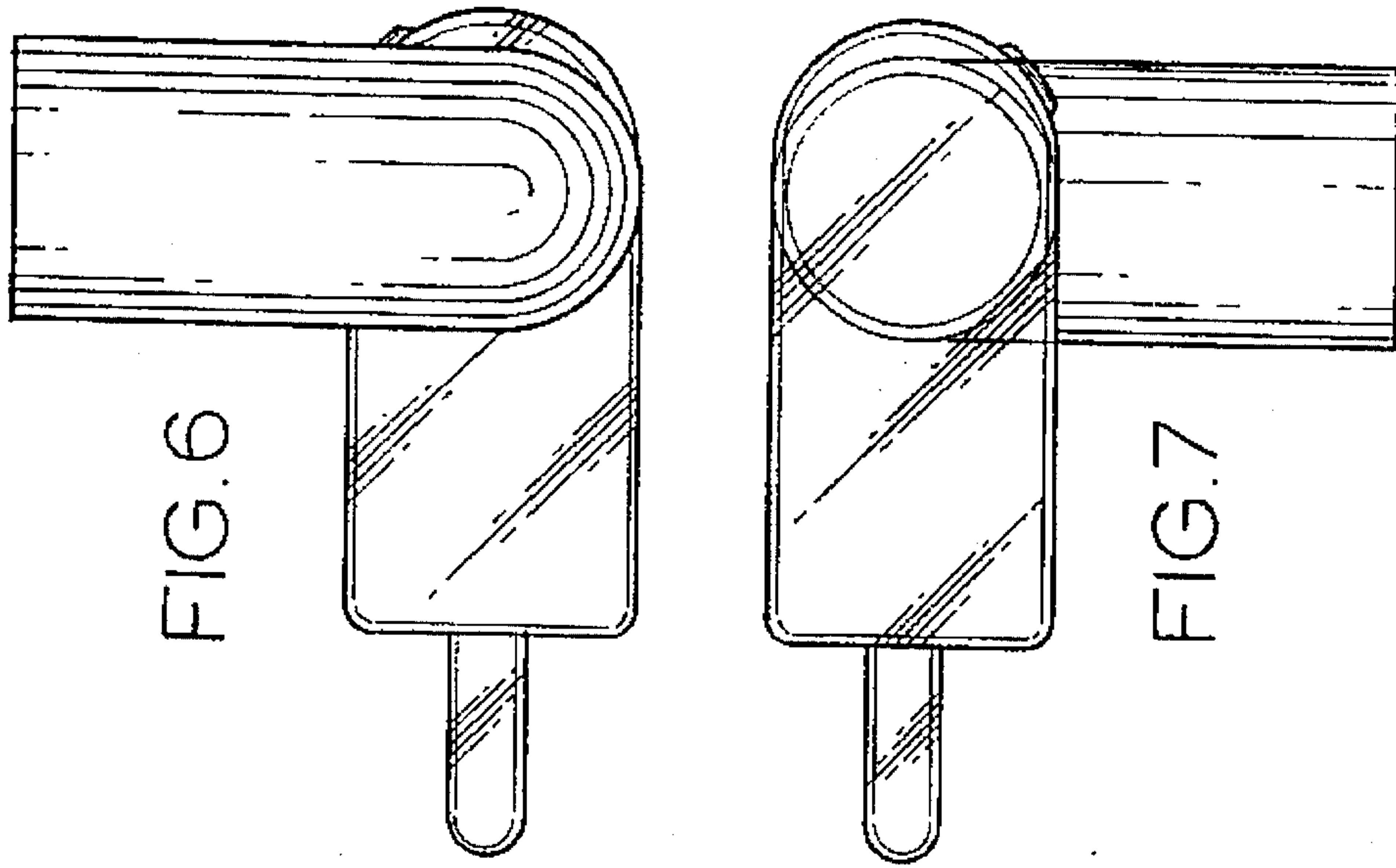


FIG. 6

FIG. 7