



US00D372073S

# United States Patent [19]

Ozaki et al.

[11] Patent Number: **Des. 372,073**

[45] Date of Patent: **\*\*Jul. 23, 1996**

[54] BALL VALVE

[75] Inventors: **Yoshito Ozaki; Katsuhiko Onishi**, both of Nobeoka, Japan

[73] Assignee: **Asahi Yukizai Kogyo Co., Ltd.**, Miyazaki, Japan

[\*\*] Term: **14 Years**

[21] Appl. No.: **36,162**

[22] Filed: **Mar. 14, 1995**

[52] U.S. Cl. .... **D23/245**

[58] Field of Search ..... **D23/233-237, D23/244-249; 137/240, 412, 801; 251/148, 152, 309**

[56] **References Cited**

**U.S. PATENT DOCUMENTS**

D. 291,229	8/1987	Kunz	.....	D23/245
D. 291,230	8/1987	Kunz	.....	D23/245
D. 297,355	8/1988	Wirth	.....	D23/245

D. 299,521	1/1989	Kiyoto et al.	.....	D23/245
D. 318,903	8/1991	Leuber	.....	D23/245

*Primary Examiner*—Stella Reid  
*Assistant Examiner*—E. Watterson  
*Attorney, Agent, or Firm*—Burns, Doane, Swecker & Mathis

[57] **CLAIM**

The ornamental design for a ball valve, as shown.

**DESCRIPTION**

FIG. 1 is a perspective view of a ball valve showing our new design;  
FIG. 2 is a front elevational view thereof, a rear elevational view being a mirror image of the front elevational view;  
FIG. 3 is a top plan view thereof;  
FIG. 4 is a right side elevational view thereof, a left side elevational view being a mirror image of the right side elevational view;  
FIG. 5 is a bottom plan view thereof; and,  
FIG. 6 is a cross-sectional view taken along the line 6—6 in FIG. 3.

**1 Claim, 4 Drawing Sheets**

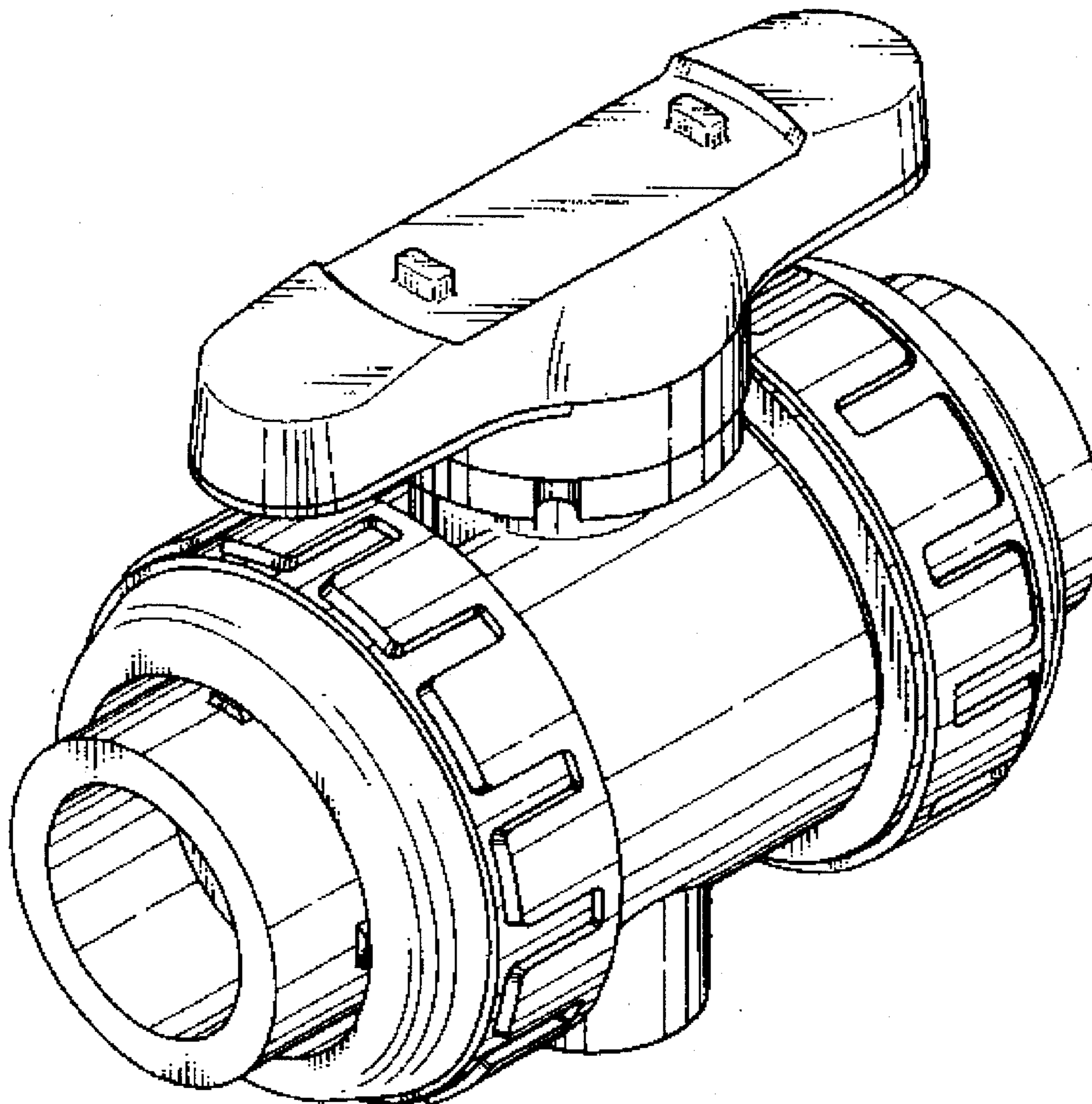


Fig. 1

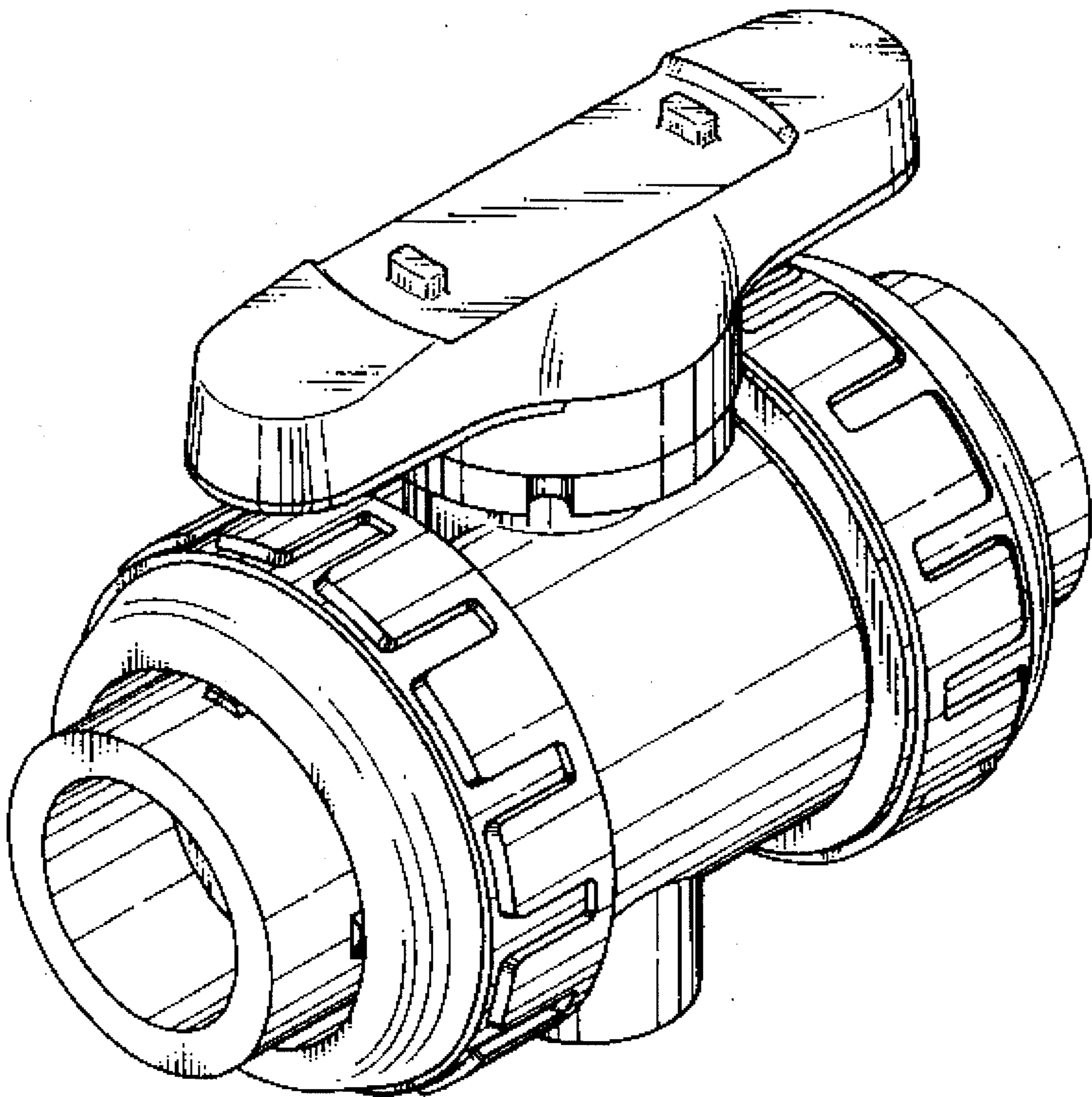


Fig.2

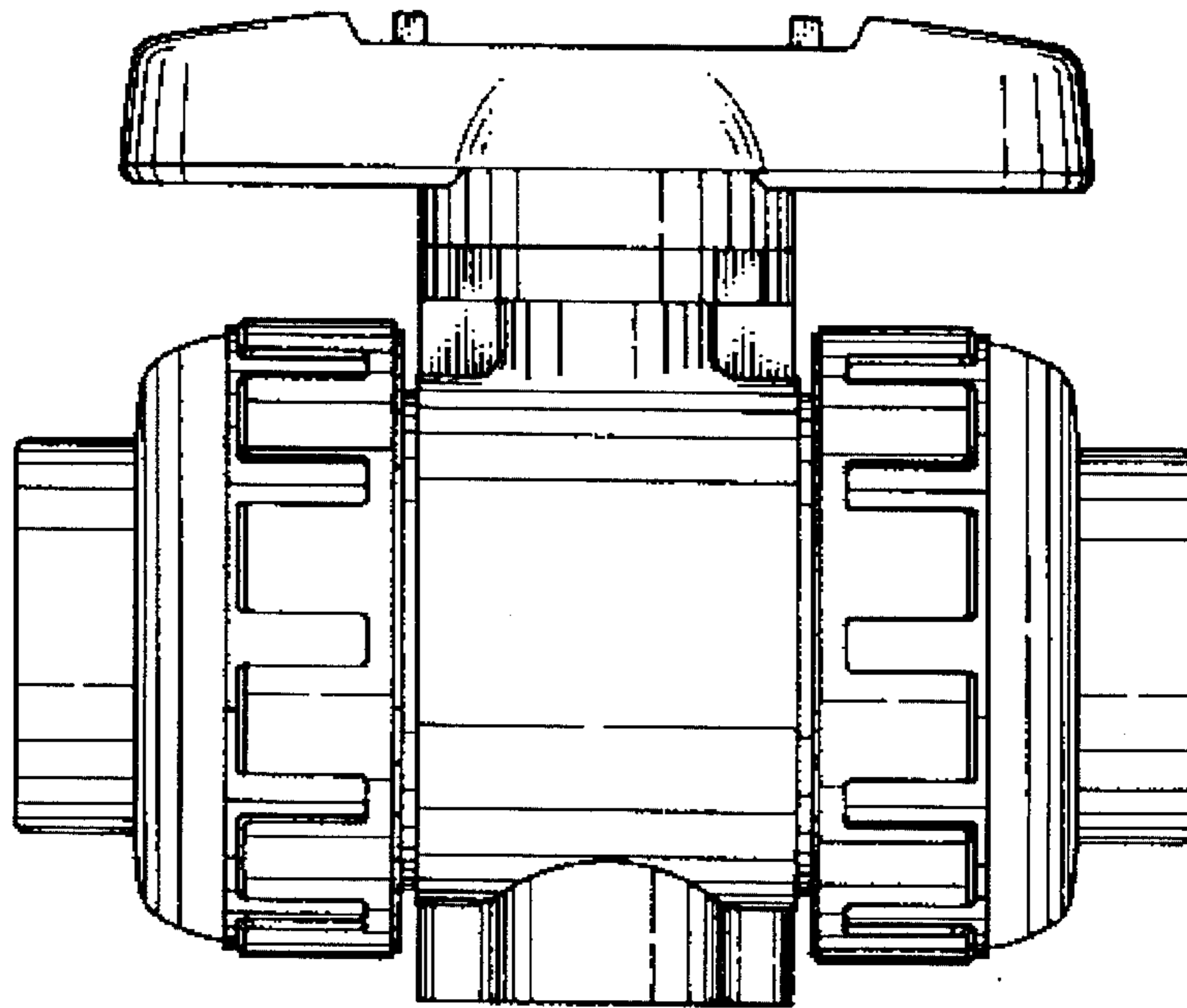


Fig.3

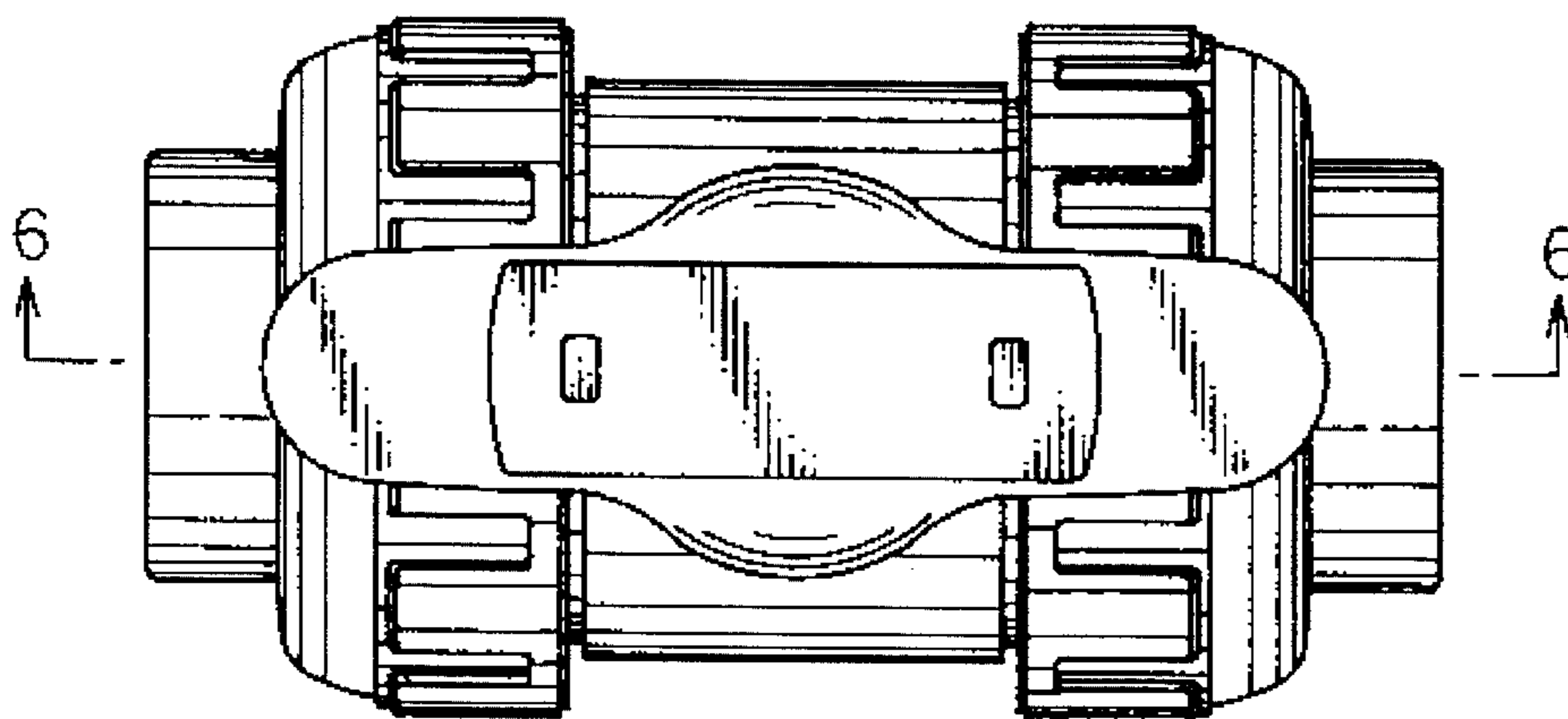


Fig. 4

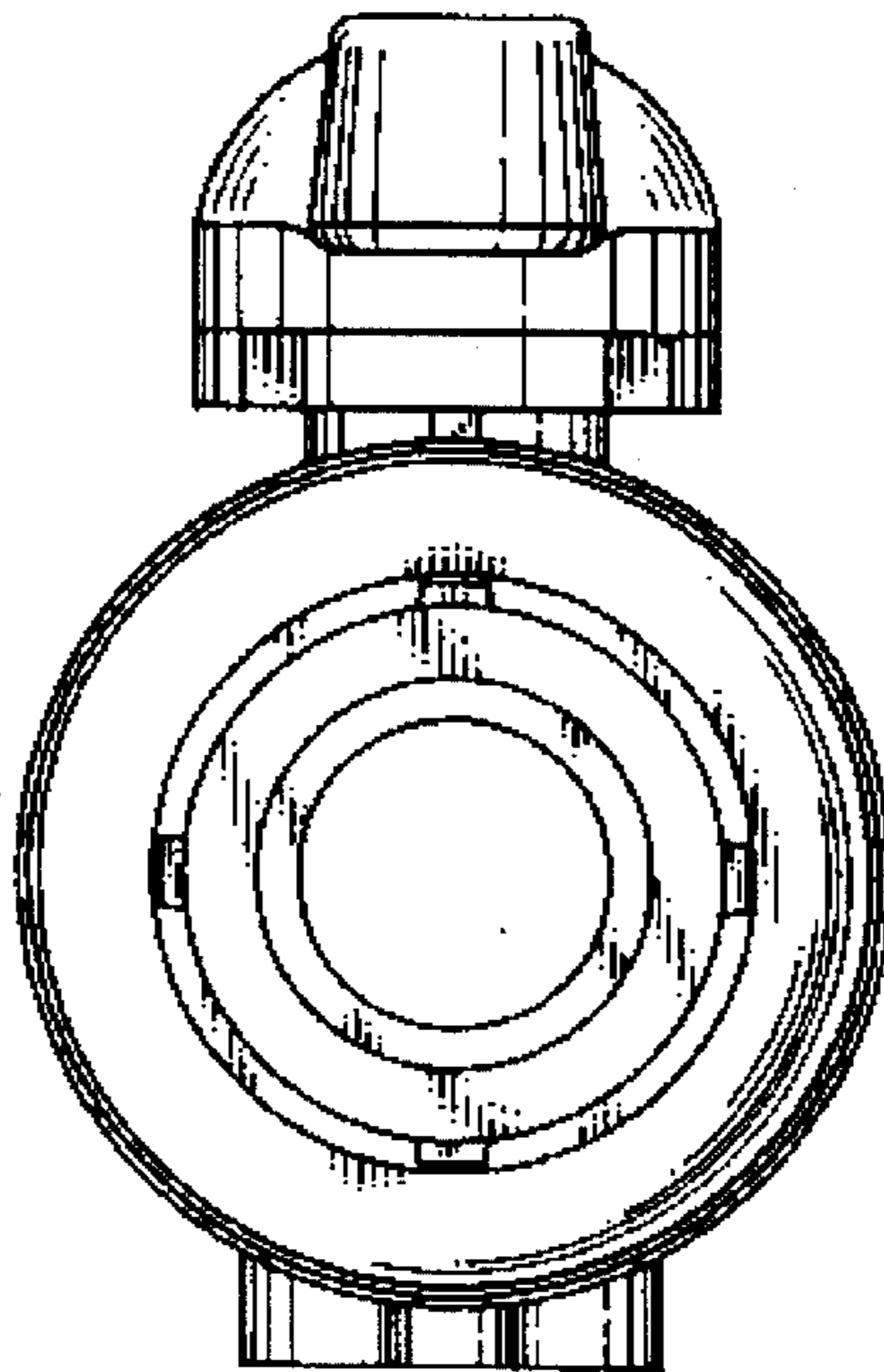


Fig. 5

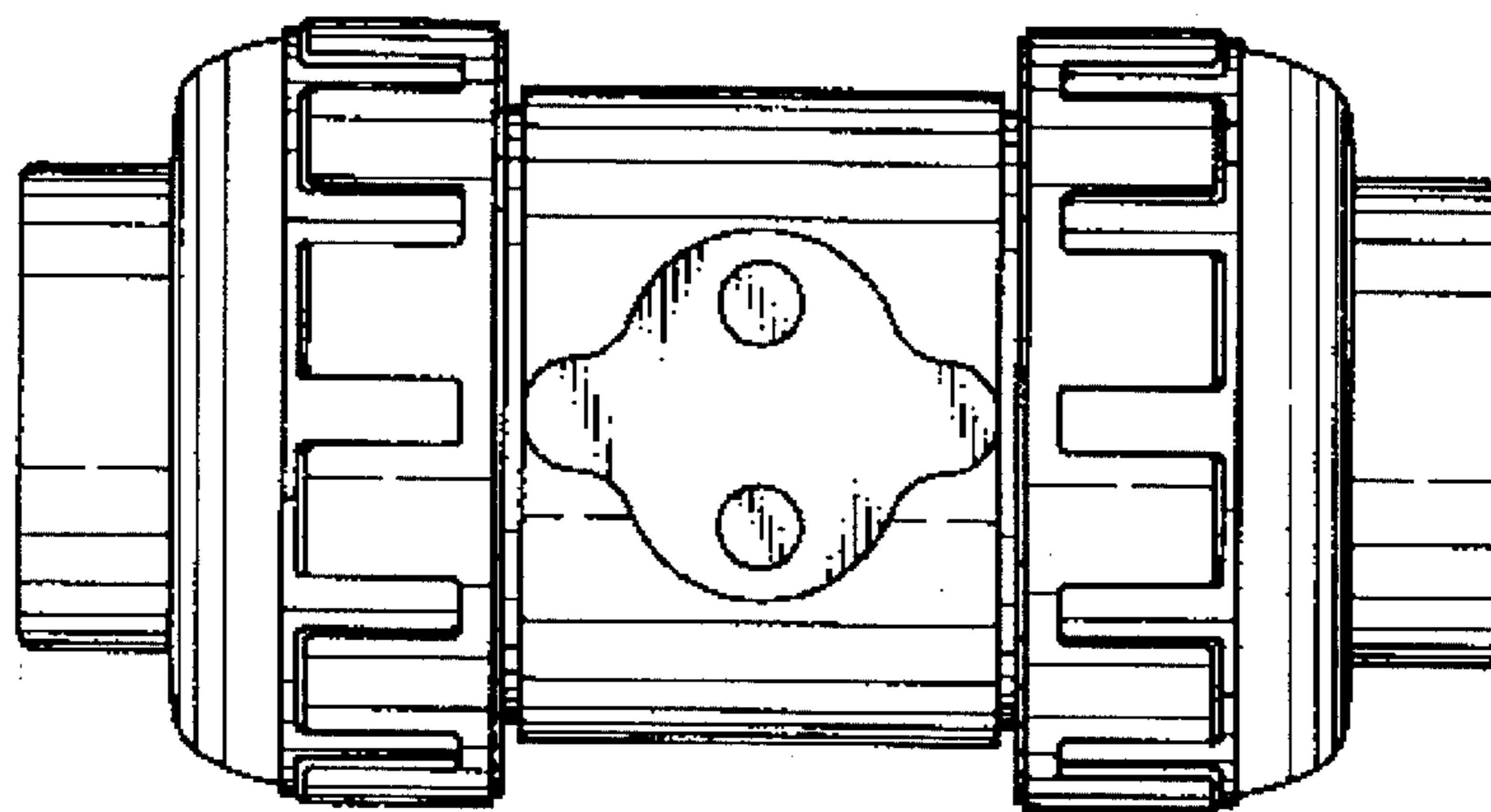


Fig. 6

