



US00D372072S

United States Patent [19]

Hutcherson et al.

[11] Patent Number: **Des. 372,072**

[45] Date of Patent: ****Jul. 23, 1996**

[54] WATER LINE CLEARING TOOL

4,114,812 9/1978 Austin et al. 239/532 X

[76] Inventors: **Wilbur J. Hutcherson; DeLoise Hutcherson**, both of 11180 Stockwell St., Detroit, Mich. 48224

OTHER PUBLICATIONS

Nelson, Lawn and garden catalog, hose nozzle on left corner cover, Aug. 1988.

[**] Term: **14 Years**

Primary Examiner—A. Hugo Word
Assistant Examiner—Cynthia E. Ramirz
Attorney, Agent, or Firm—James A. Hudak

[21] Appl. No.: **37,078**

[57] CLAIM

[22] Filed: **Apr. 3, 1995**

[52] U.S. Cl. **D23/223**

The ornamental design for a water line clearing tool, as shown and described.

[58] Field of Search D23/223, 224; 226/229; D32/1; 239/152, 154, 195, 164, 165, 280, 281, 525, 532, 569; 222/174, 523

DESCRIPTION

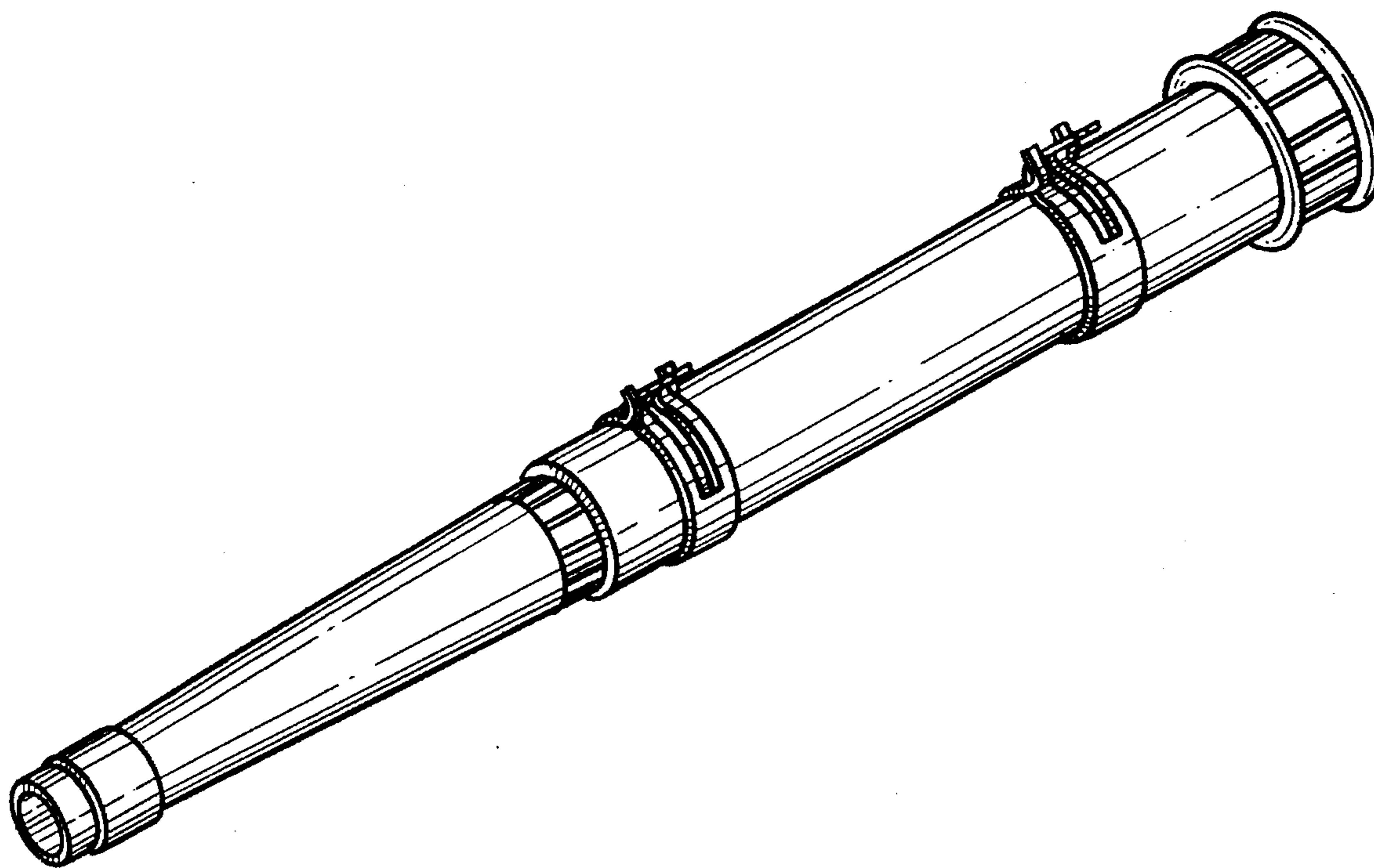
[56] References Cited

U.S. PATENT DOCUMENTS

D. 248,041	5/1978	Persson	D23/226
D. 261,547	10/1981	Parke	D23/223
D. 295,777	5/1988	Steele	D23/223
D. 300,453	3/1989	Proctor et al.	D23/223 X
D. 310,405	9/1990	Proctor et al.	D23/223 X
D. 314,649	2/1991	Campbell, Sr. et al.	D23/223 X

FIG. 1 is a perspective view of the water line clearing tool showing our new design;
FIG. 2 is a top plan view thereof;
FIG. 3 is a bottom plan view thereof;
FIG. 4 is a front elevational view thereof;
FIG. 5 is a rear elevational view thereof;
FIG. 6 is a right end elevational view thereof; and,
FIG. 7 is a left end elevational view thereof.

1 Claim, 3 Drawing Sheets



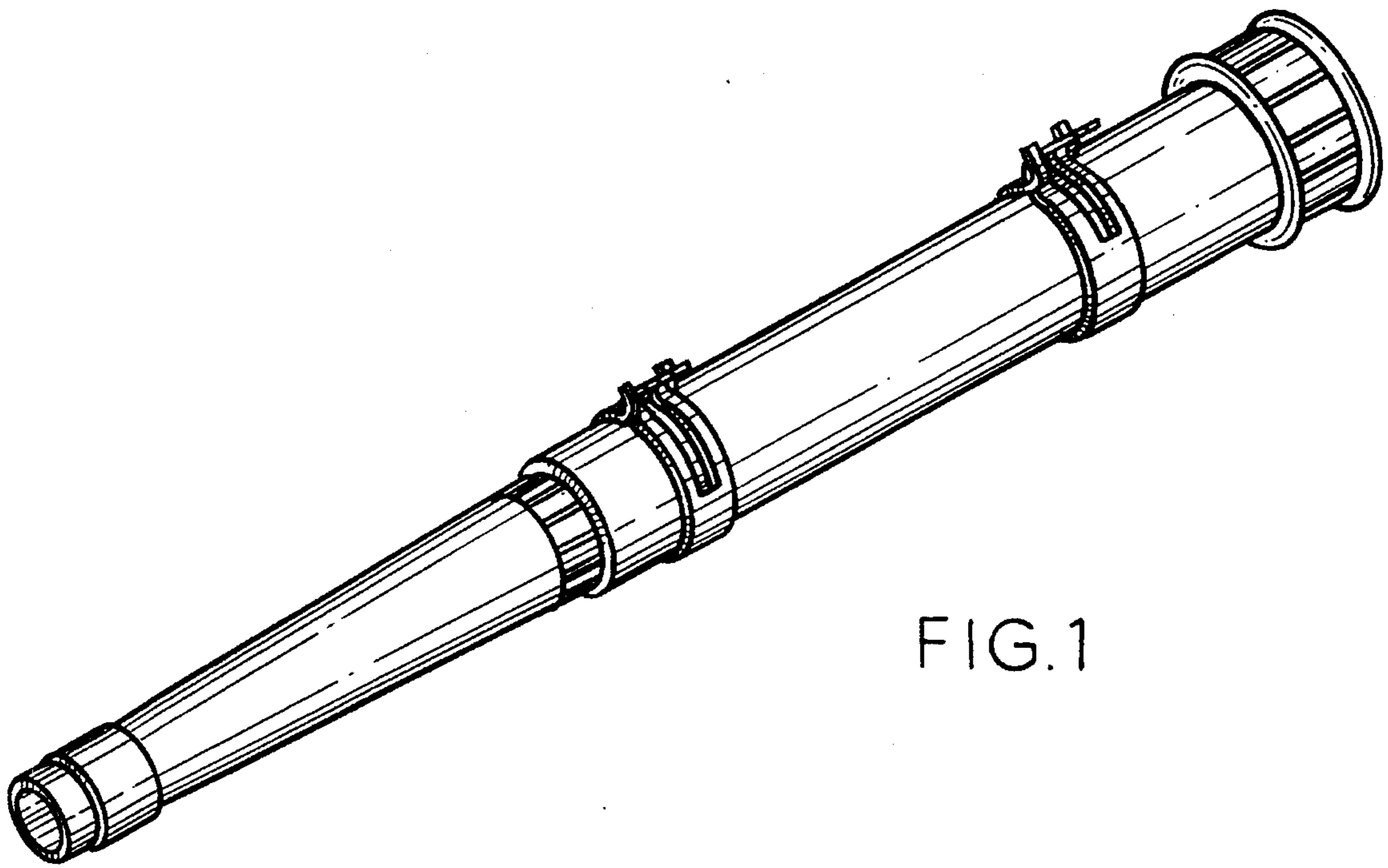


FIG. 1

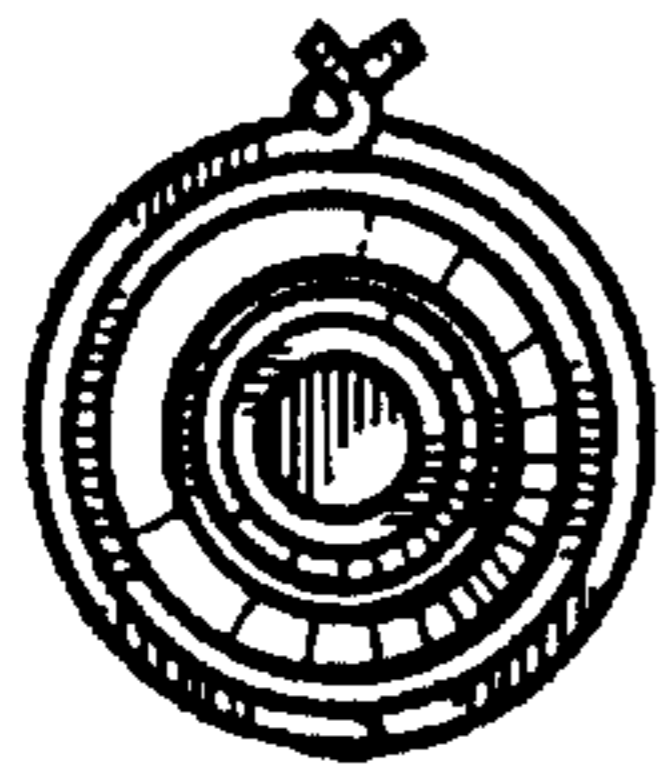


FIG. 7.

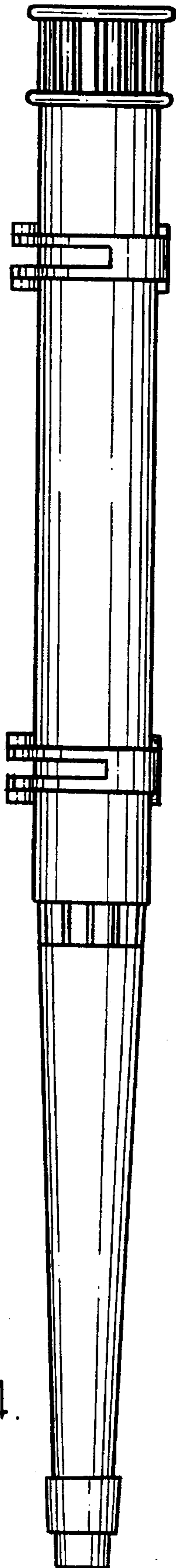


FIG. 4.

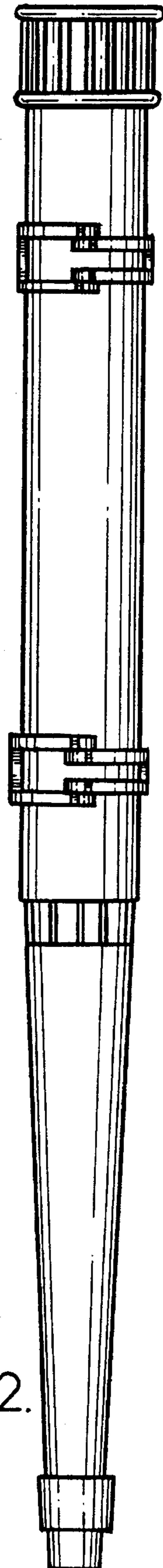


FIG. 2.

FIG. 5.

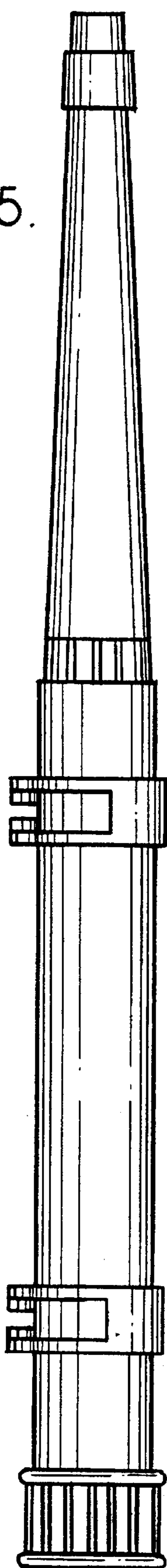


FIG. 3.

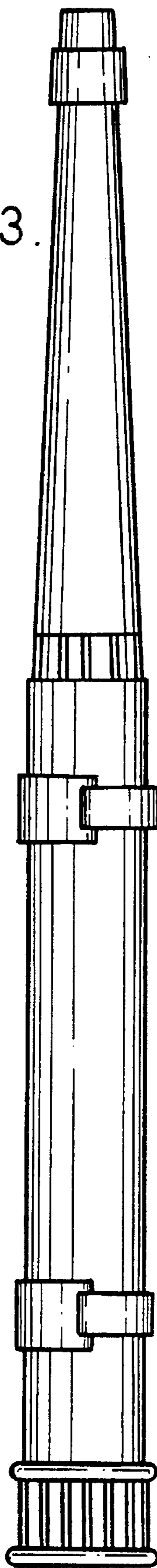


FIG. 6.

