



US00D372071S

United States Patent [19] Zito

[11] Patent Number: **Des. 372,071**

[45] Date of Patent: ****Jul. 23, 1996**

[54] **TWO VALVE NOZZLE FOR A CO₂ SNOW CLEANER**

[75] Inventor: **Richard R. Zito**, Tucson, Ariz.

[73] Assignee: **Richard R. Zito R & D Corp.**, Tucson, Ariz.

[**] Term: **14 Years**

[21] Appl. No.: **38,263**

[22] Filed: **May 2, 1995**

[52] U.S. Cl. **D23/213**

[58] Field of Search D23/200, 213-224, D23/228-230; 239/530-532, 2.1, 2.2, 14.2, 394, 373, 525-8, 414-5; 37/196, 197, 211, 219, 221; D23/31, 32

[56] **References Cited**

U.S. PATENT DOCUMENTS

- D. 288,839 3/1987 Hengesbach D23/223
- D. 322,341 12/1991 Zito D23/32
- 604,494 5/1898 Bean 239/494

| | | | | |
|-----------|---------|-----------------|-------|---------|
| 1,491,202 | 4/1924 | Early | | 239/526 |
| 1,784,964 | 12/1930 | Jenkins | | 239/394 |
| 1,920,965 | 8/1933 | Campbell | | 239/530 |
| 2,164,972 | 7/1939 | Wagner | | 239/390 |
| 2,764,452 | 9/1956 | Anderson et al. | | 239/310 |
| 2,981,484 | 4/1961 | Hirsch | | D23/226 |

Primary Examiner—A. Hugo Word
Assistant Examiner—Robin V. Taylor

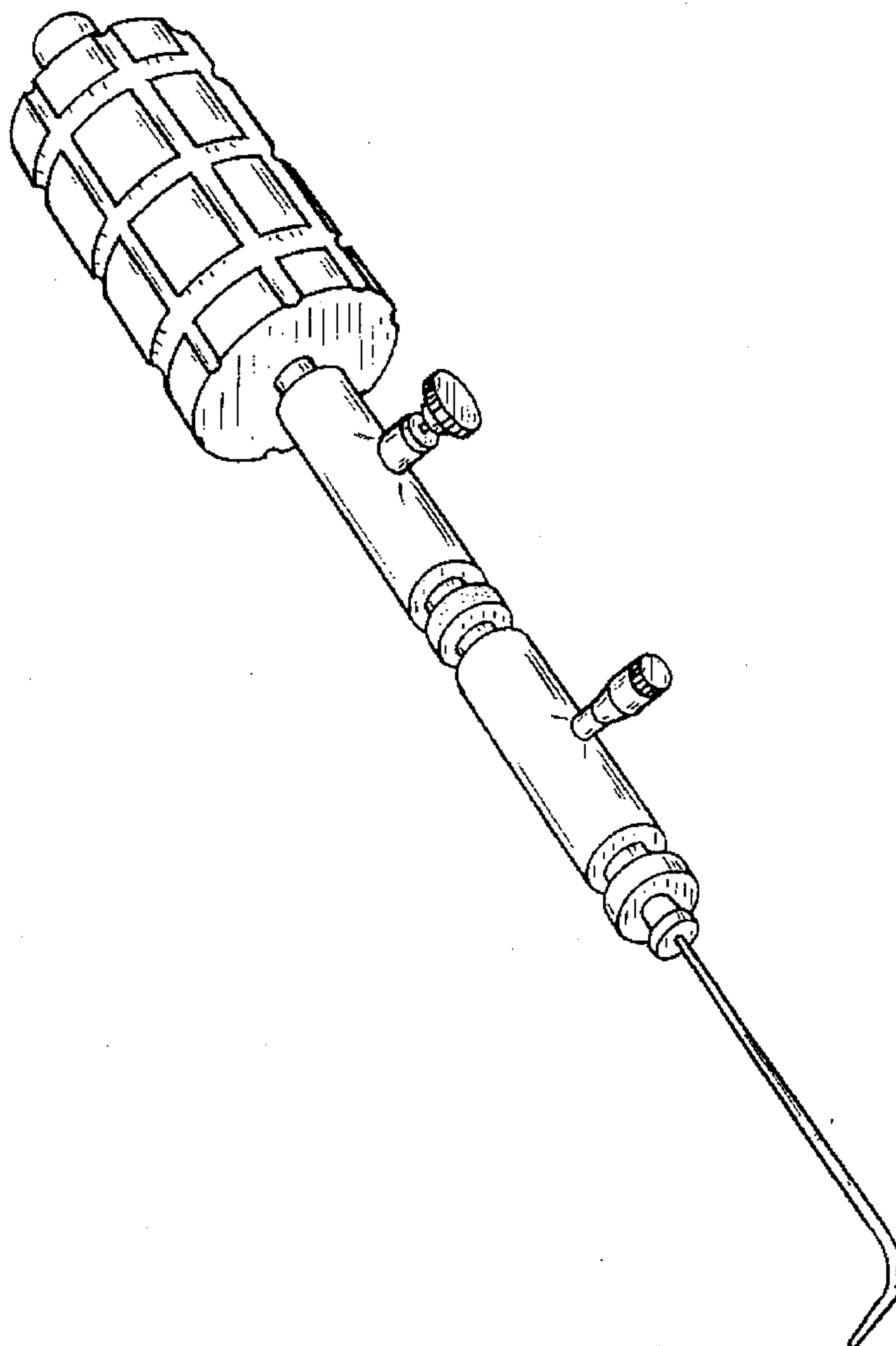
[57] **CLAIM**

The ornamental design for a two valve nozzle for a CO₂ snow cleaner.

DESCRIPTION

FIG. 1 is a front perspective view of a two valve nozzle for a CO₂ snow cleaner showing my new design; FIG. 2 is a side elevation view thereof, the opposite side is a mirror image thereof; FIG. 3 is a top plan view thereof; FIG. 4 is a bottom plan view thereof; FIG. 5 is an enlarged front end elevational view thereof; and, FIG. 6 is an enlarged rear end elevational view thereof.

1 Claim, 6 Drawing Sheets



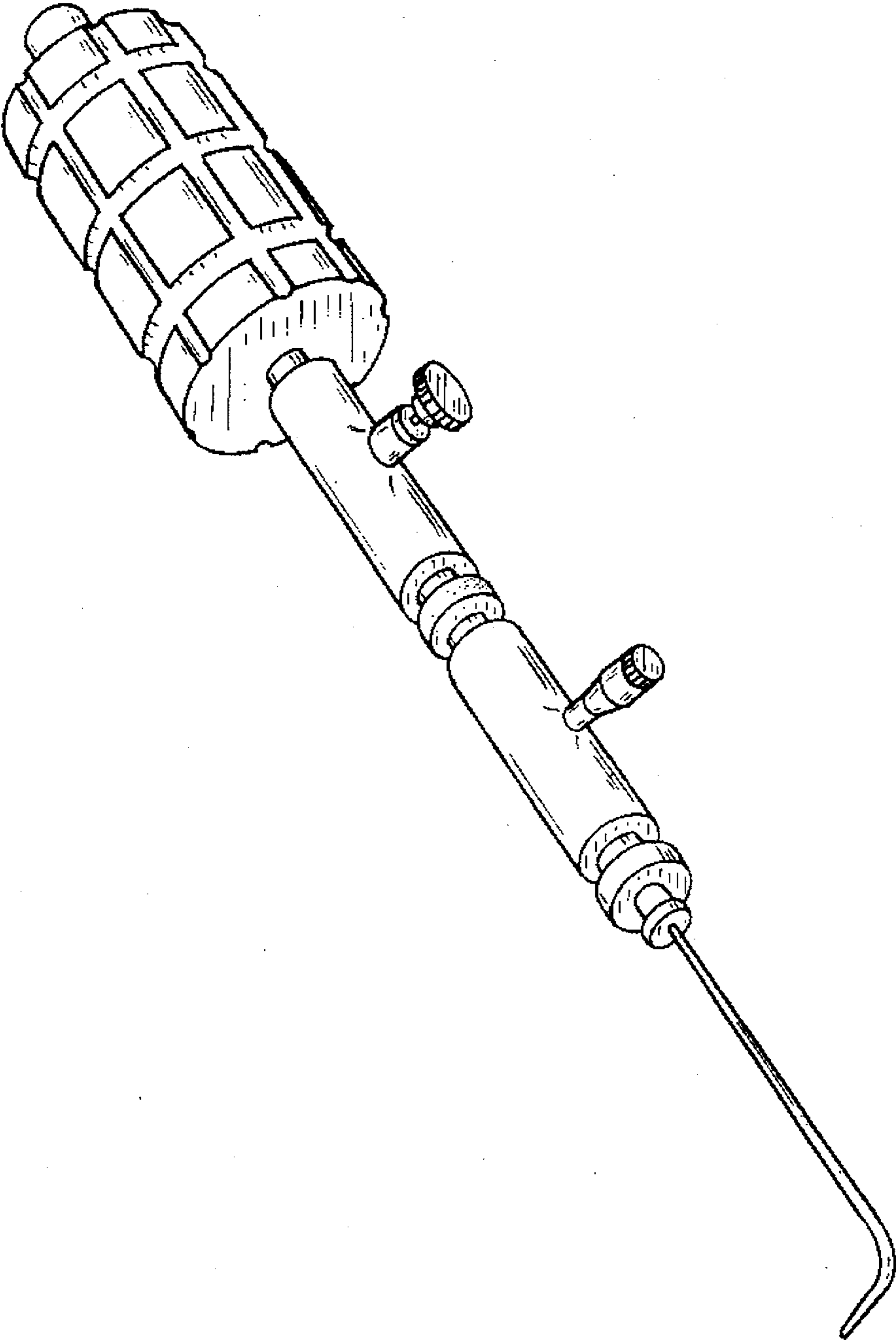


Fig. 1

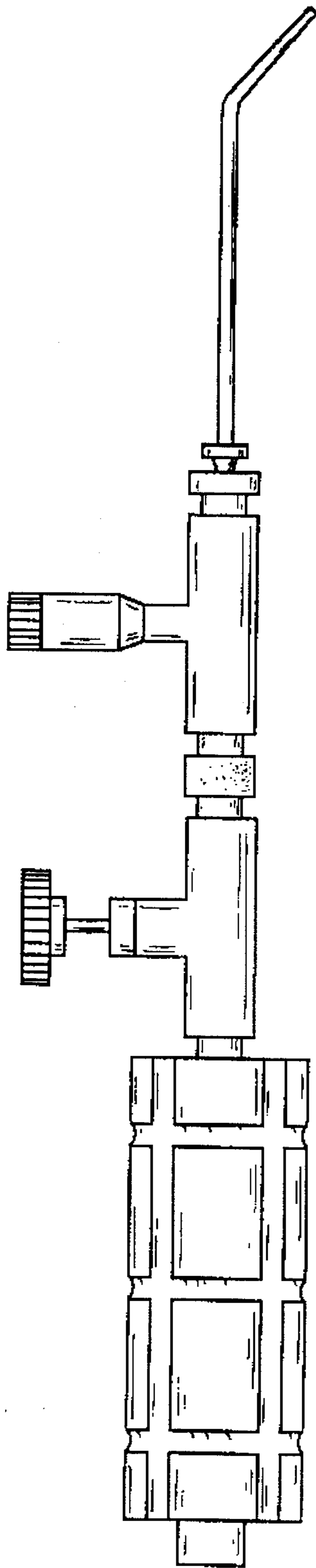


Fig. 2

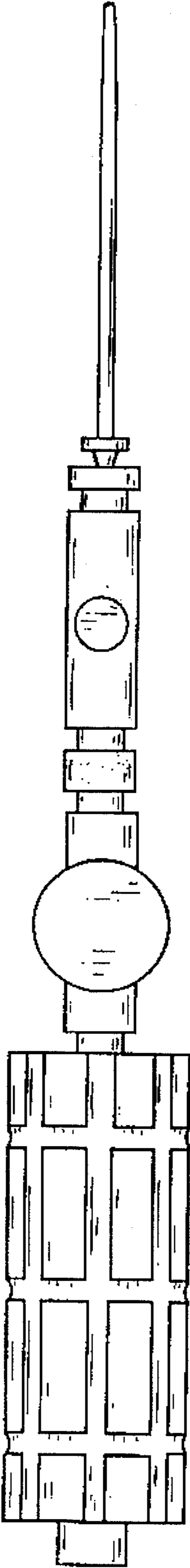


Fig. 3

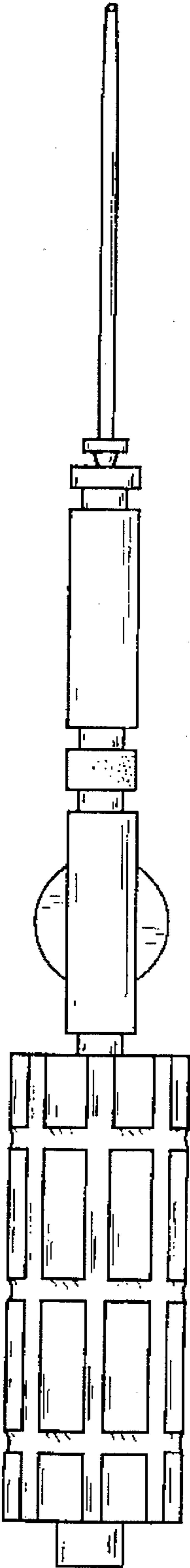


Fig. 4

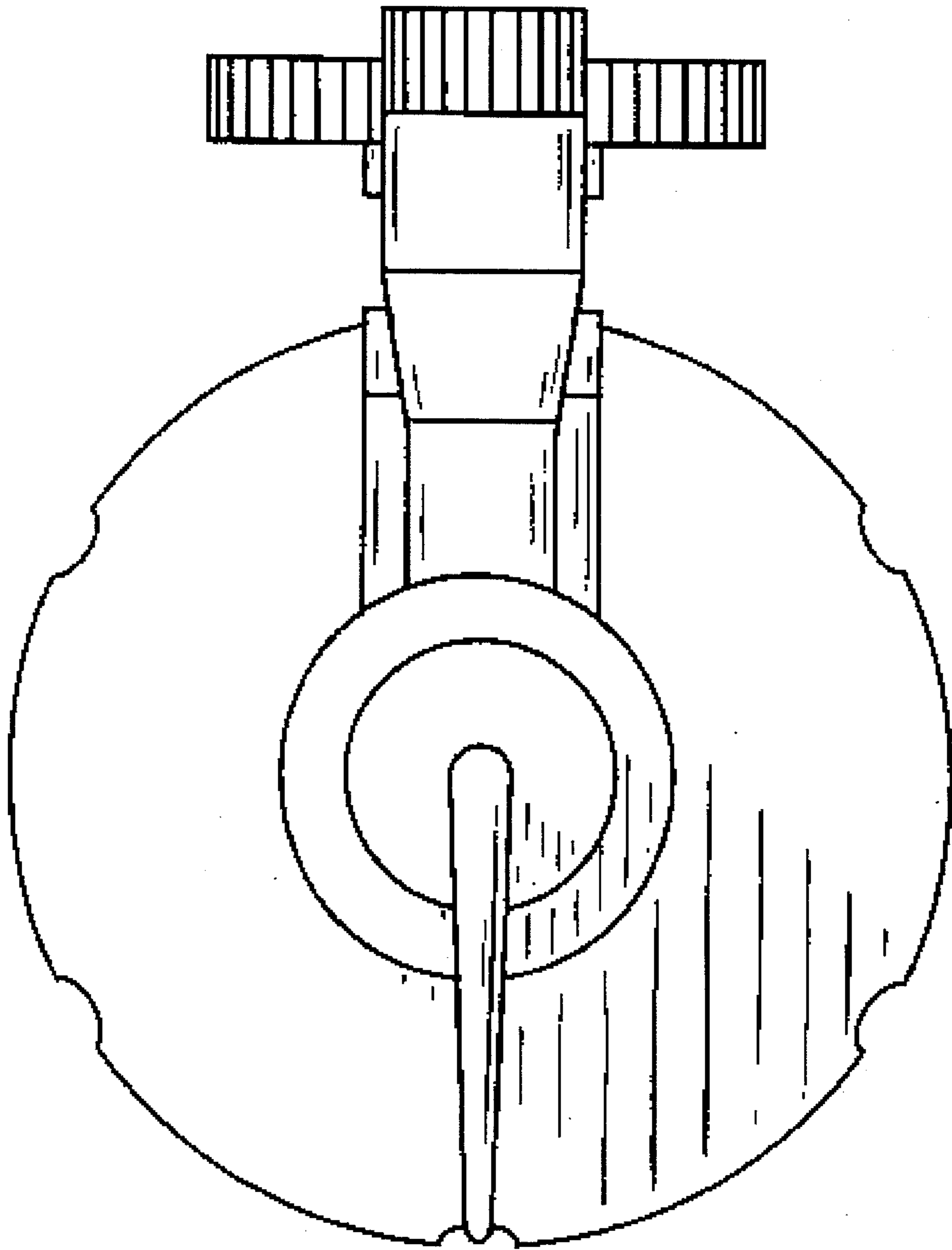


Fig. 5

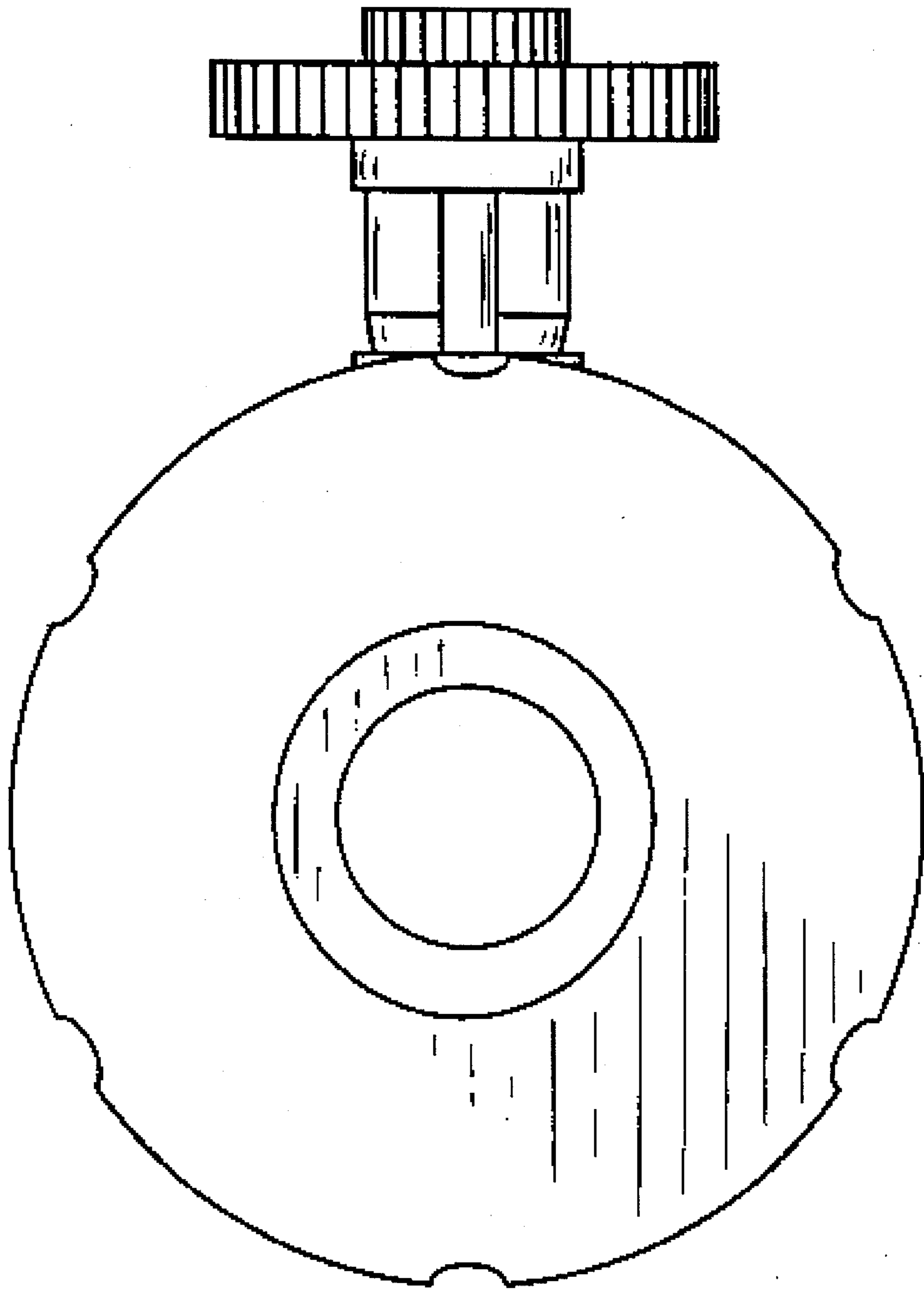


Fig. 6