



US00D372070S

United States Patent [19]

Zak et al.

[11] Patent Number: **Des. 372,070**

[45] Date of Patent: ****Jul. 23, 1996**

[54] **DISPENSER**

[75] Inventors: **Krzysztof W. Zak**, Northamptonshire;
David J. Wood, Plymouth, both of
Great Britain

[73] Assignee: **Unipath Limited**, Hampshire, United
Kingdom

[**] Term: **14 Years**

[21] Appl. No.: **31,193**

[22] Filed: **Nov. 8, 1994**

[30] **Foreign Application Priority Data**

May 16, 1994 [GB] United Kingdom 2039070

[52] **U.S. Cl.** **D23/213**; 210/359; D24/112

[58] **Field of Search** D24/216, 115,
D24/129, 130, 112; D9/436, 440, 443, 499;
210/459, 473, 645, 649, 650, 238, 282,
359, 416.1, 416.3, 696; D23/262, 213;
141/24, 23

[56] **References Cited**

U.S. PATENT DOCUMENTS

D. 266,872 11/1982 Anderson D24/112

D. 306,831	3/1990	Chevassus	D9/436
D. 317,203	5/1991	Walsh	D24/115 X
D. 361,266	8/1995	Zuber	D9/440
D. 361,380	8/1995	Linnér	D24/112X
2,667,163	10/1951	Smith	604/195
3,139,121	6/1964	Ballin	141/24
3,385,446	9/1967	Ward et al.	210/282
4,035,150	7/1977	Jaffe	210/359

Primary Examiner—Louis S. Zarfaz
Assistant Examiner—Frank Martinez
Attorney, Agent, or Firm—Cushman Darby & Cushman

[57] CLAIM

The ornamental design for a dispenser, as shown and described.

DESCRIPTION

FIG. 1 is a perspective view from above one side and one end;
FIG. 2 is a side elevational view; and,
FIG. 3 is a plan view from above, the bottom of the dispenser is flat and unornamented.

1 Claim, 1 Drawing Sheet

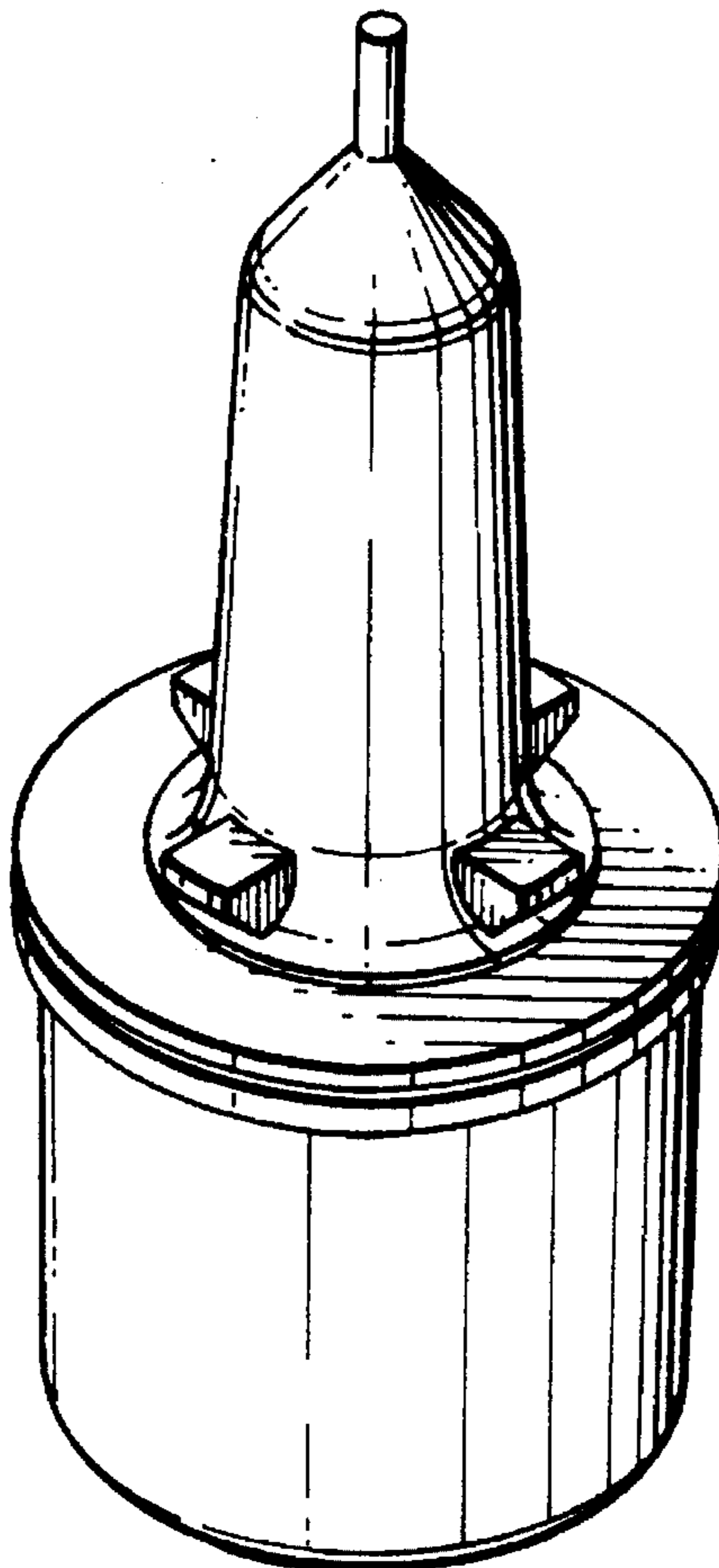


Fig. 1.

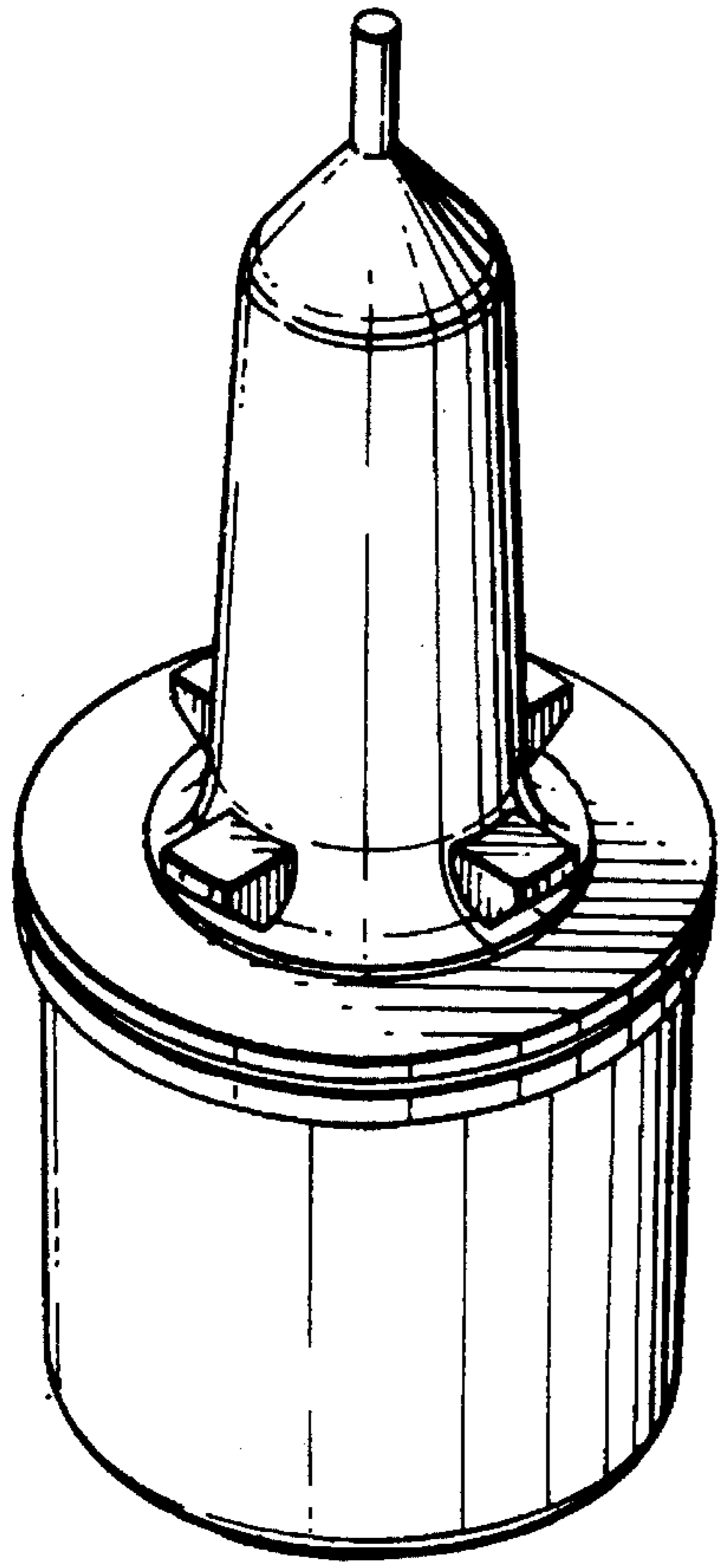


Fig. 2.

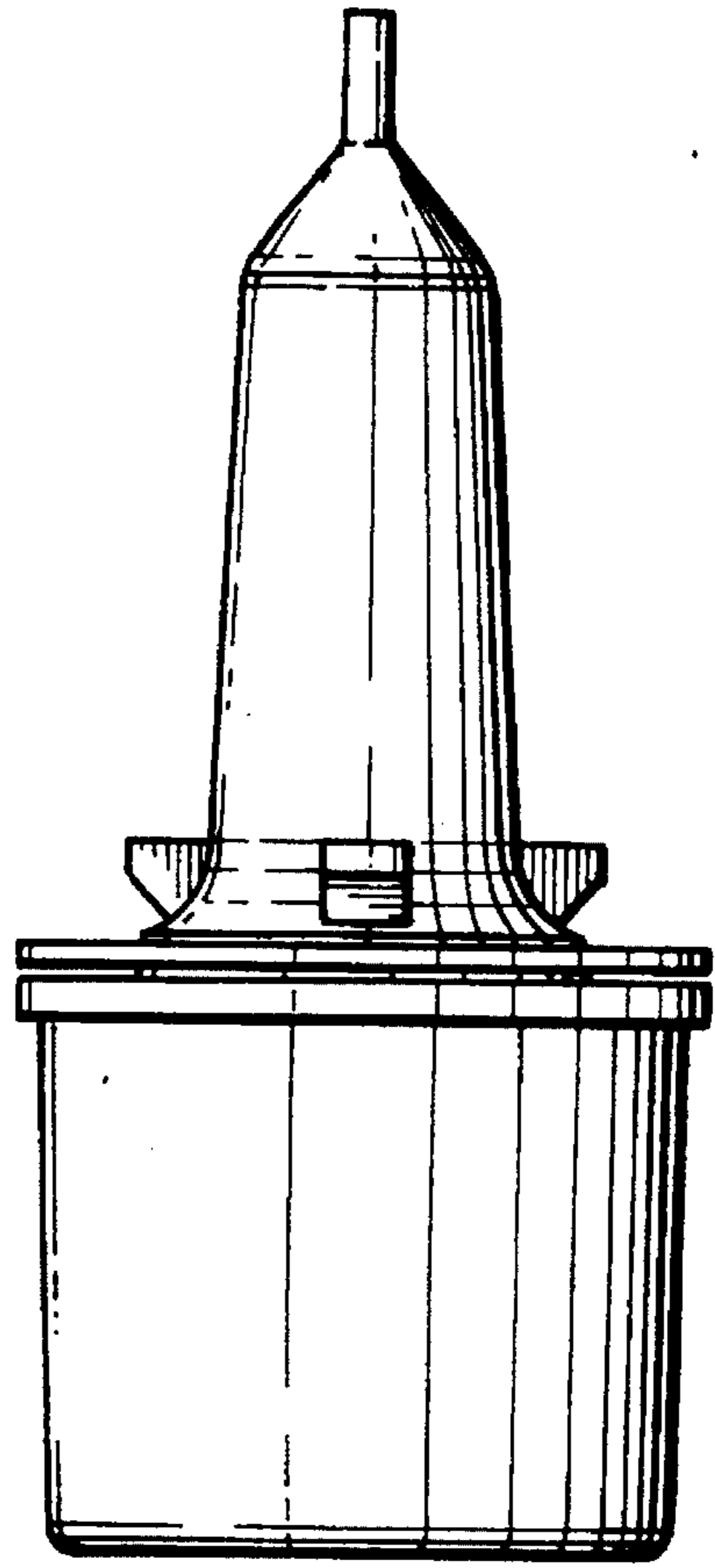


Fig. 3.

