



US00D372068S

# United States Patent [19]

[11] Patent Number: **Des. 372,068**

Disanto

[45] Date of Patent: **\*\*Jul. 23, 1996**

[54] **VENT RODENT STOPPER**

[76] Inventor: **Nick Disanto**, 30 Leone Lane,  
Brampton, Ontario, Canada, L6T 3Z8

[\*\*] Term: **14 Years**

[21] Appl. No.: **33,748**

[22] Filed: **Jan. 19, 1995**

[52] U.S. Cl. .... **D22/119**

[58] Field of Search ..... D22/119-123;  
43/107, 121, 124, 65, 58, 119, 127; 114/221 R;  
52/101

4,570,564	2/1986	Salvarezza	114/221 R
4,709,503	12/1987	McQueen	43/121 X
4,839,144	6/1989	Martin	43/127 X
5,203,795	4/1993	Balamut et al.	43/124 X

*Primary Examiner*—Doris V. Coles  
*Attorney, Agent, or Firm*—Harpman & Harpman

[57] **CLAIM**

The ornamental design for a vent rodent stopper, as shown and described.

**DESCRIPTION**

FIG. 1 is a front, top and side perspective view of the vent rodent stopper embodying the design of the present invention;

FIG. 2 is a front elevational view thereof;

FIG. 3 is a rear elevational view thereof; and,

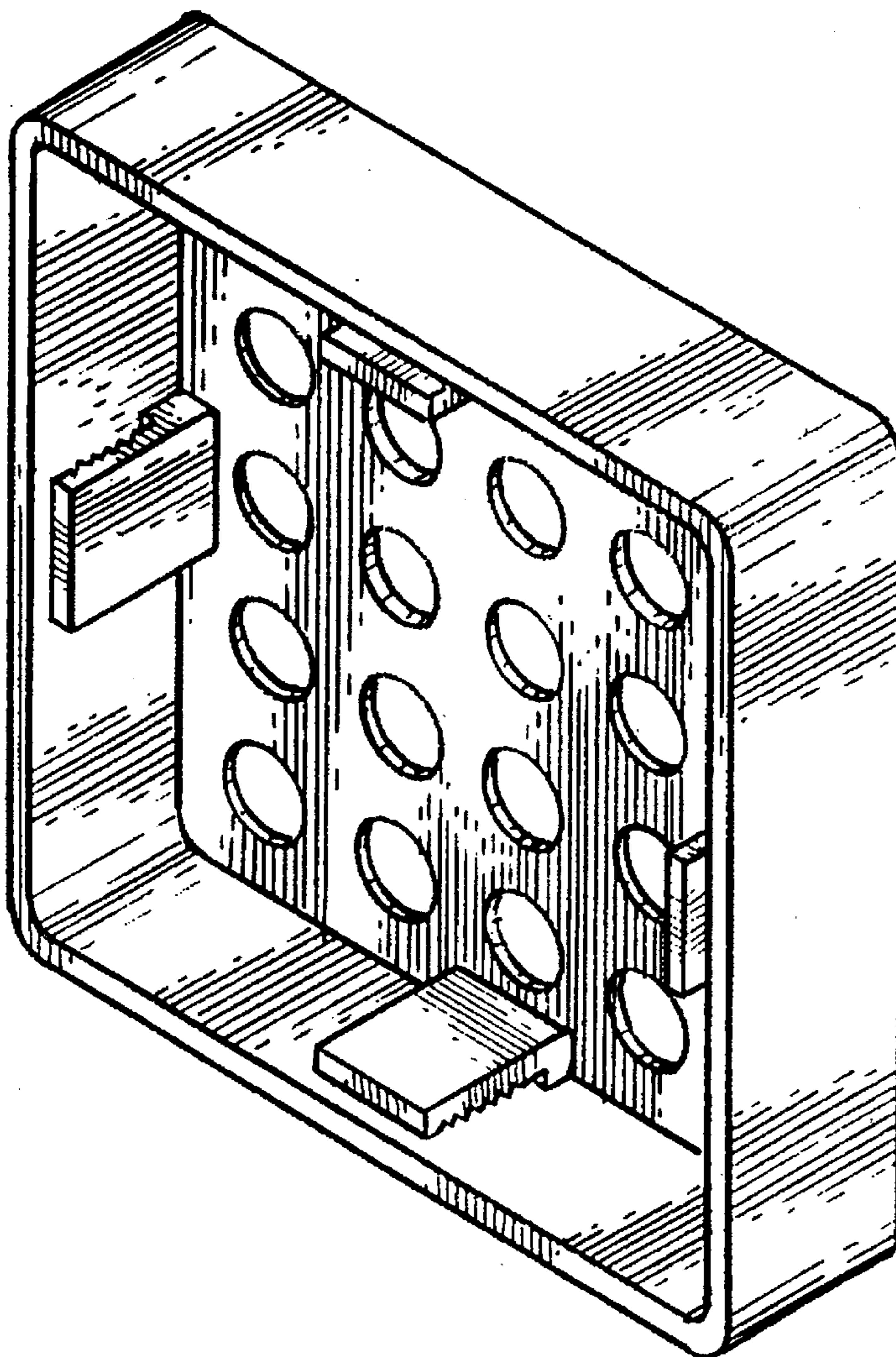
FIG. 4 is a side elevational view thereof, the side opposite being a mirror image of the side shown in FIG. 4.

[56] **References Cited**

**U.S. PATENT DOCUMENTS**

D. 274,545	7/1984	McClelland et al.	D22/119
D. 289,314	4/1987	Frisch	D22/119
2,112,229	3/1938	Davis	43/107
3,429,084	2/1969	Brewer	52/101
4,144,668	3/1979	Darnchamjitt	43/121 X

**1 Claim, 2 Drawing Sheets**



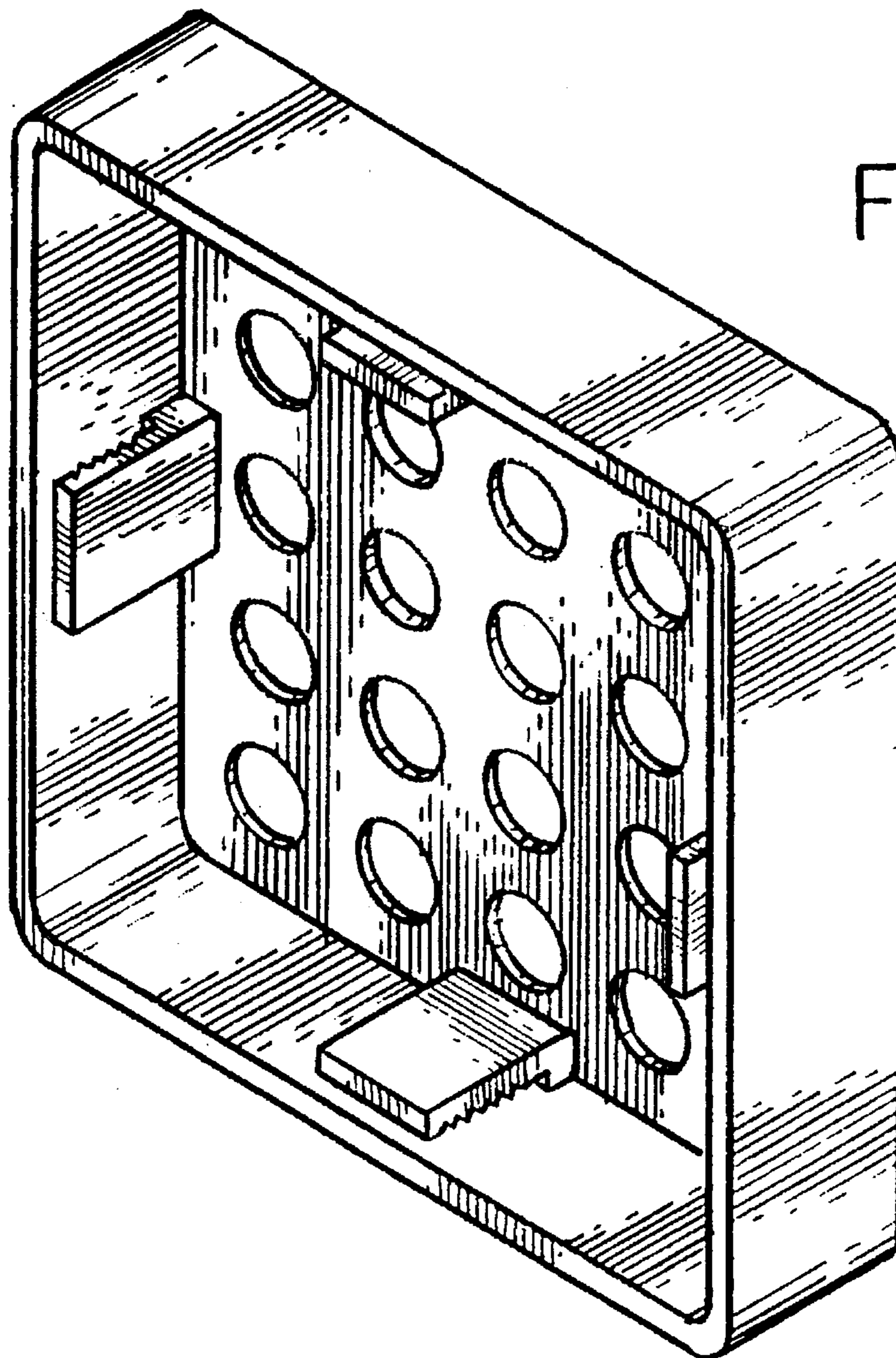


FIG. 1

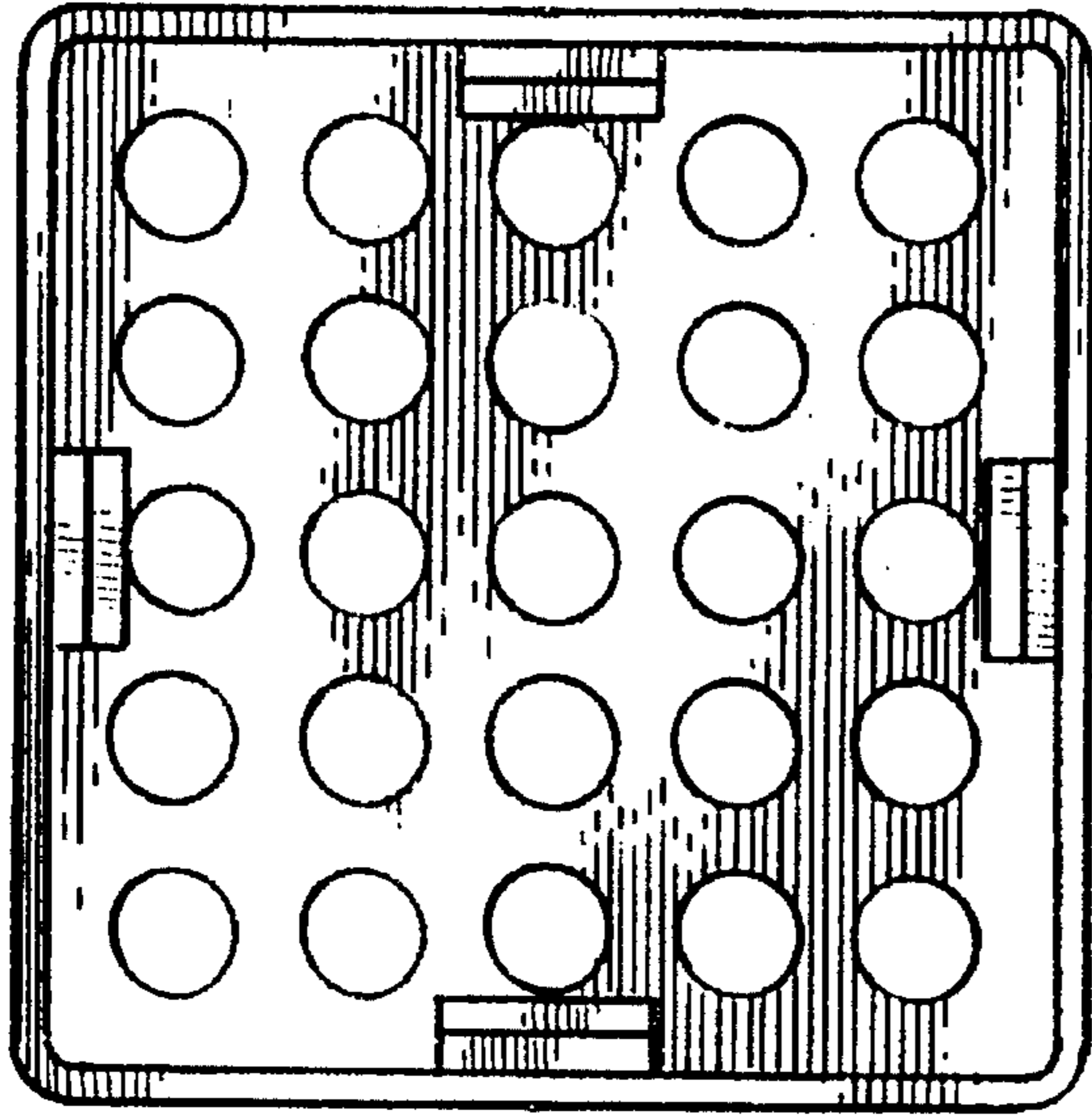


FIG. 2

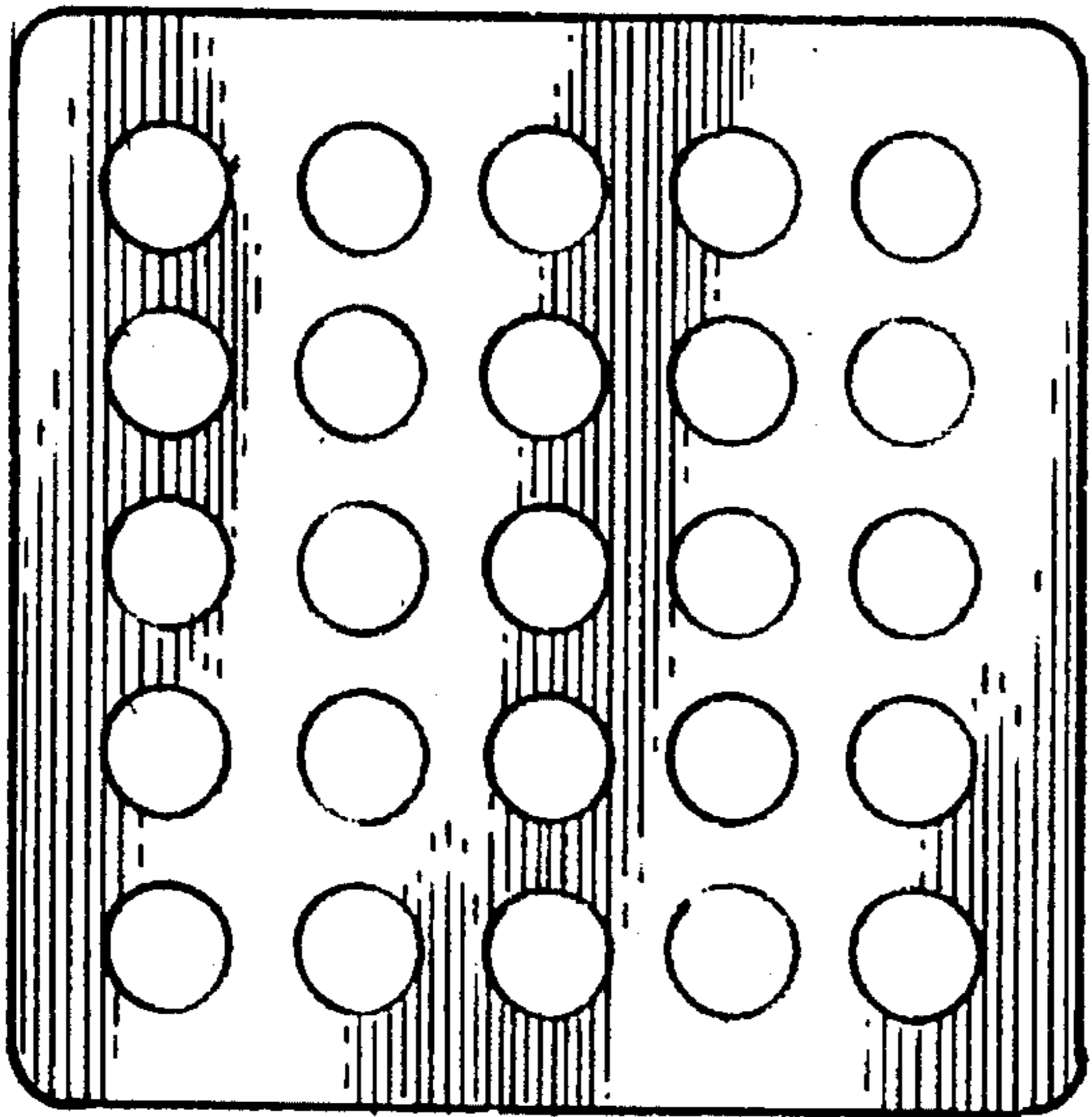


FIG. 3



FIG. 4