



US00D372065S

United States Patent [19]
Gilles

[11] **Patent Number: Des. 372,065**

[45] **Date of Patent: **Jul. 23, 1996**

[54] **CHILDREN'S TUBULAR SLIDE**

[75] Inventor: **Paul C. Gilles**, Bedford, Pa.

[73] Assignee: **Hedstrom Corporation**, Bedford, Pa.

[**] Term: **14 Years**

[21] Appl. No.: **37,521**

[22] Filed: **Apr. 17, 1995**

D. 328,119 7/1992 Matsch D21/244
D. 344,317 2/1994 Petersheim D21/244
4,932,648 6/1990 Ahrens 472/116

Primary Examiner—Terry A. Wallace
Assistant Examiner—Mitchell I. Siegel
Attorney, Agent, or Firm—Cesari and McKenna

[57] **CLAIM**

The ornamental design for a children's tubular slide, as shown and described.

Related U.S. Application Data

[63] Continuation-in-part of Ser. No. 28,710, Sep. 20, 1994, abandoned.

[52] **U.S. Cl.** **D21/244**

[58] **Field of Search** D21/240-245;
472/116, 117; 482/35-37

[56] **References Cited**

U.S. PATENT DOCUMENTS

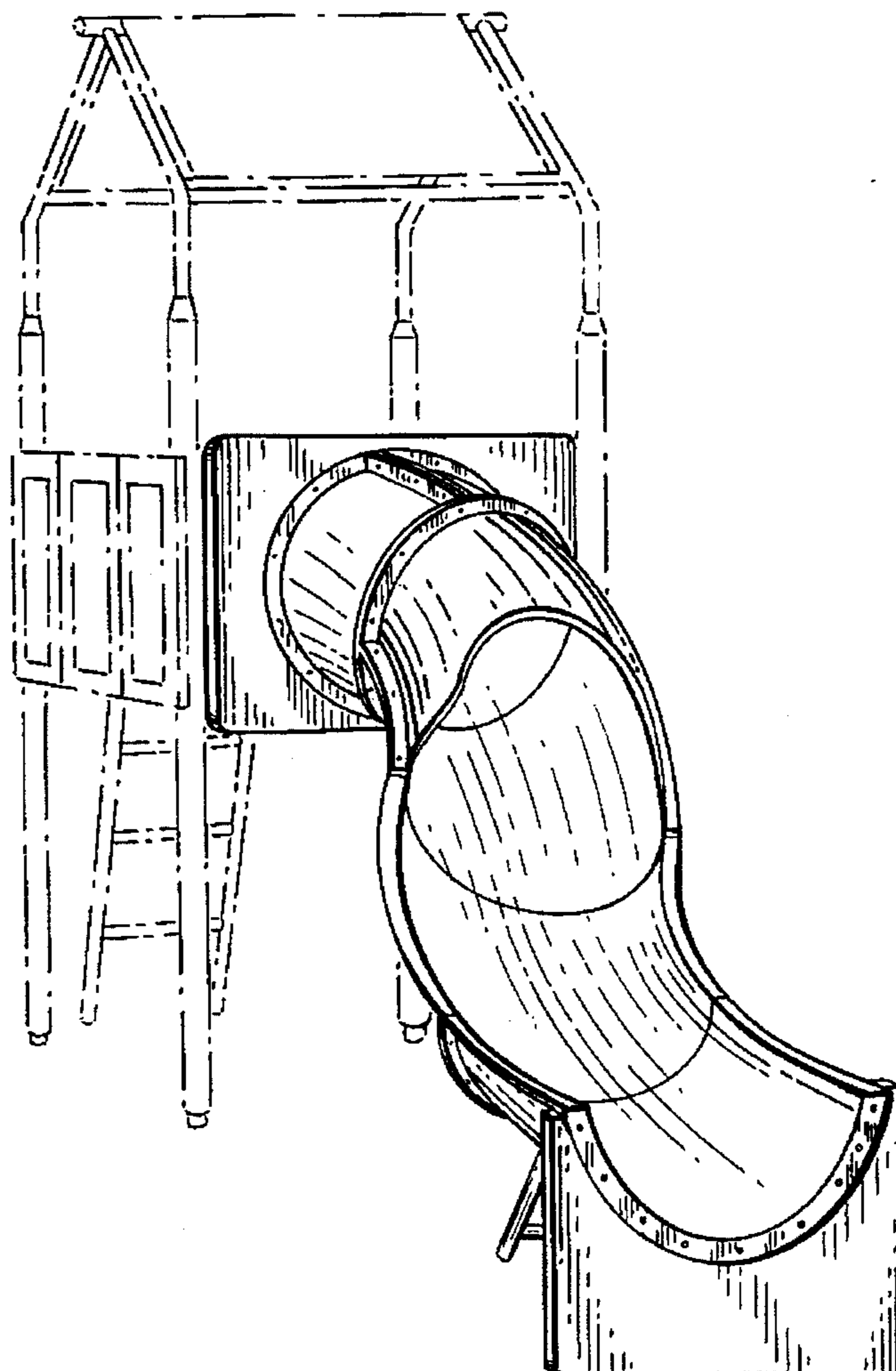
D. 190,125 4/1961 Ahrens 472/116 X
D. 212,018 8/1968 Jamison et al. D21/244
D. 238,694 2/1976 Jamison 482/35 X
D. 250,784 1/1979 Dieter et al. 482/35 X

DESCRIPTION

FIG. 1 is a right front perspective view of a children's tubular slide showing the new design;
FIG. 2 is a top plan view thereof;
FIG. 3 is a right side elevational view thereof;
FIG. 4 is a rear elevational view thereof;
FIG. 5 is a front elevational view thereof;
FIG. 6 is a left side elevational view thereof; and,
FIG. 7 is a bottom view thereof.

The broken line showing of the deck structure in FIG. 1 is for illustrative purposes only and forms no part of the claimed design.

1 Claim, 3 Drawing Sheets



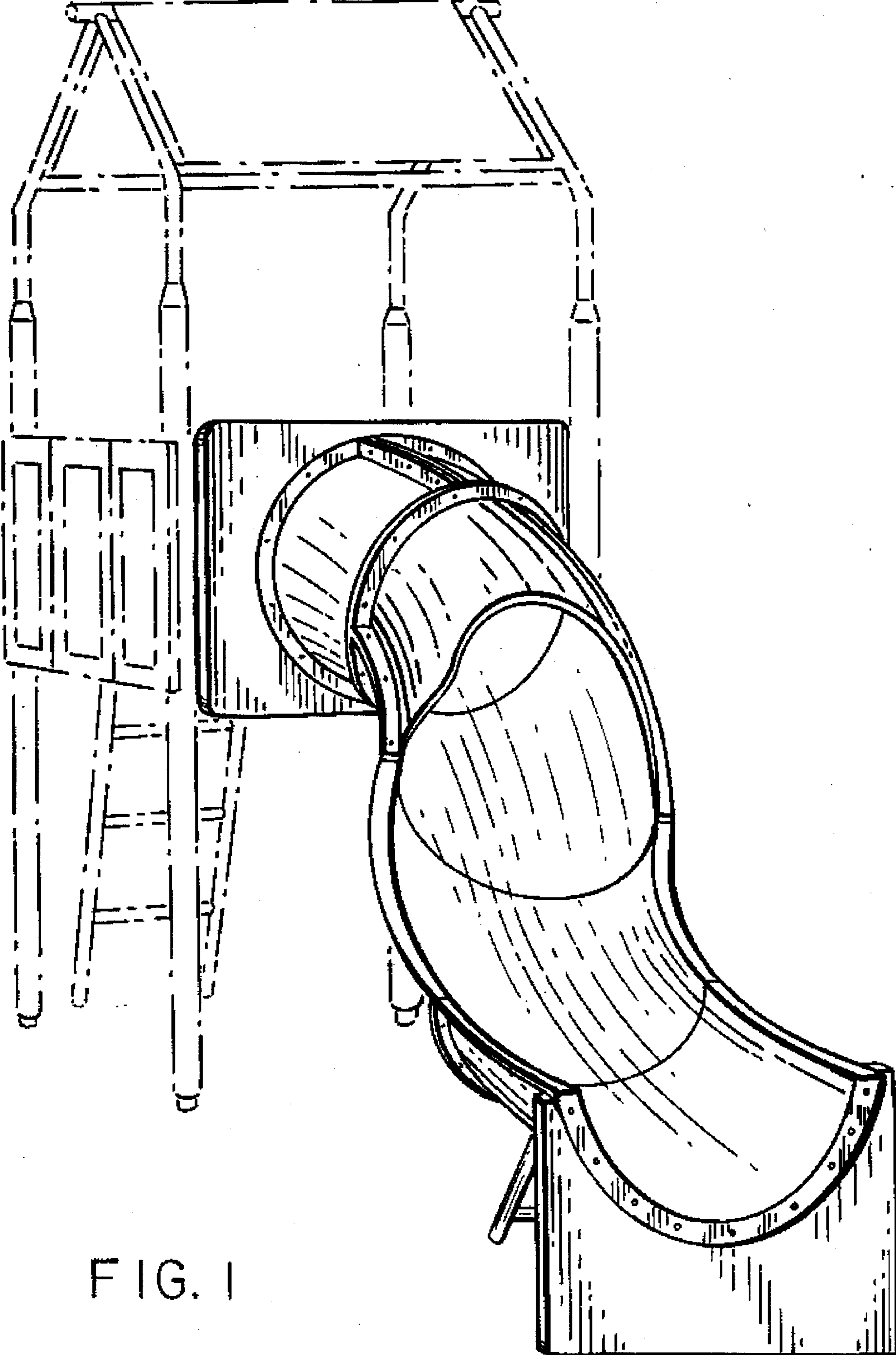


FIG. 1

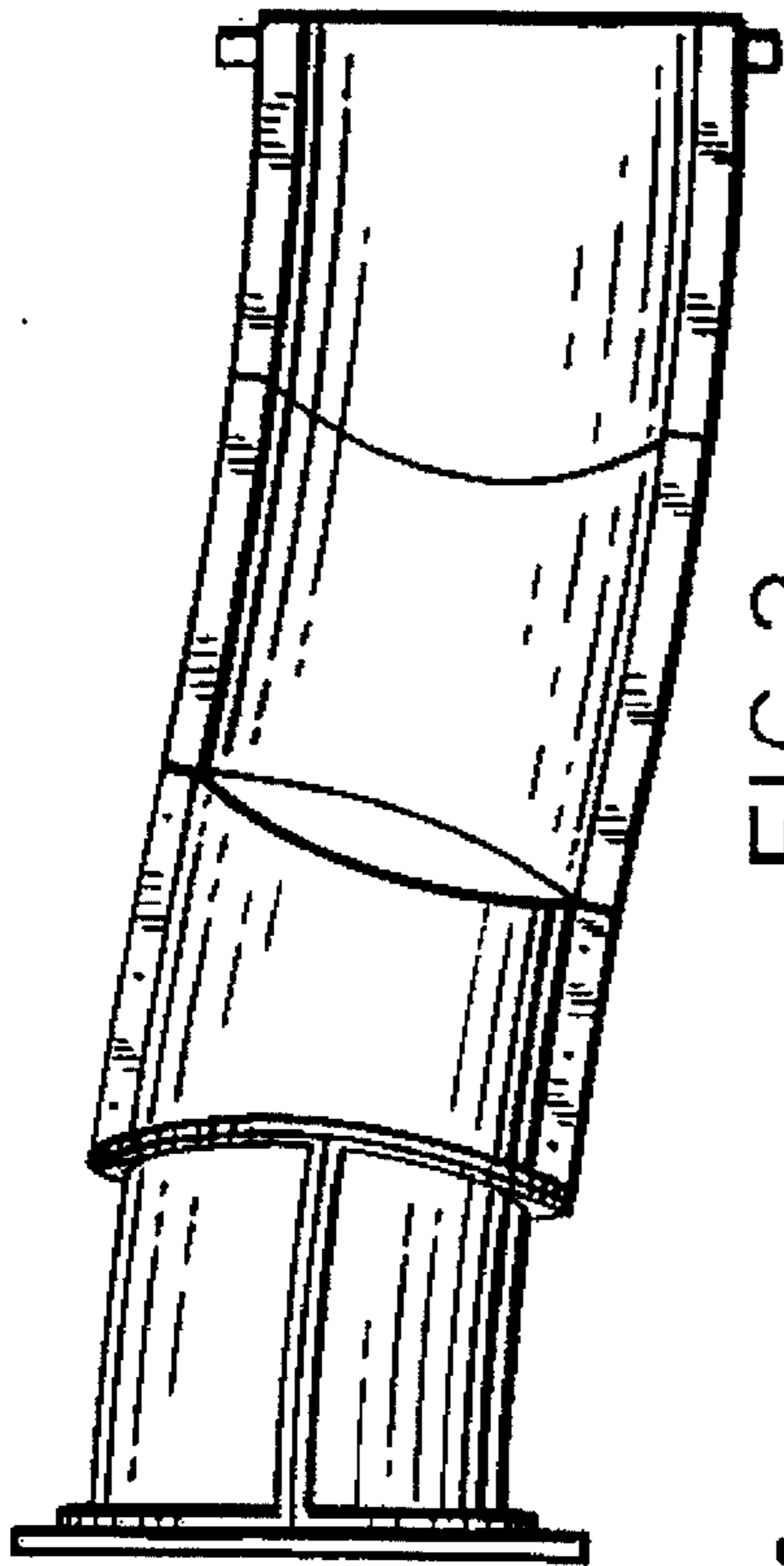


FIG. 2

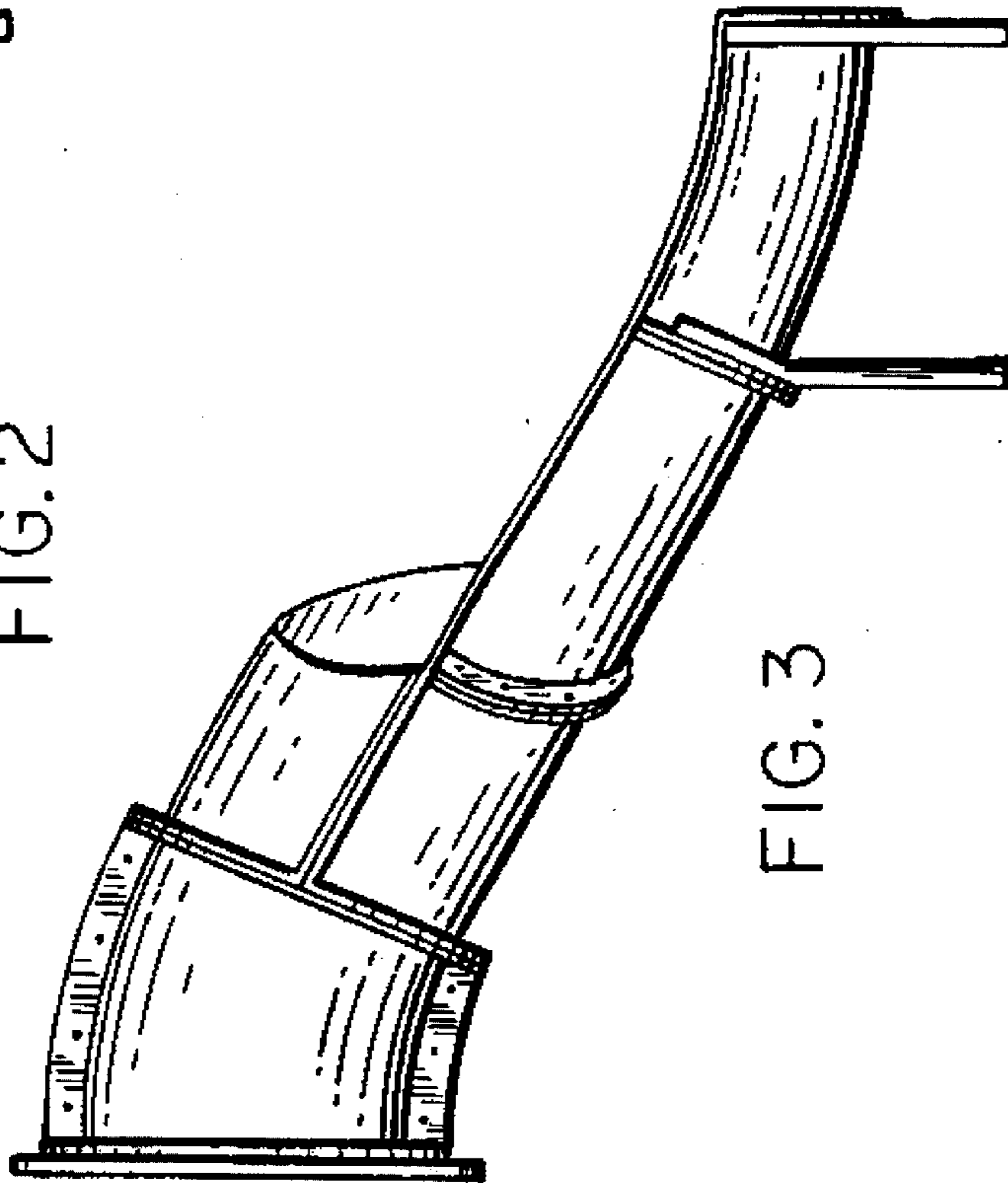


FIG. 3

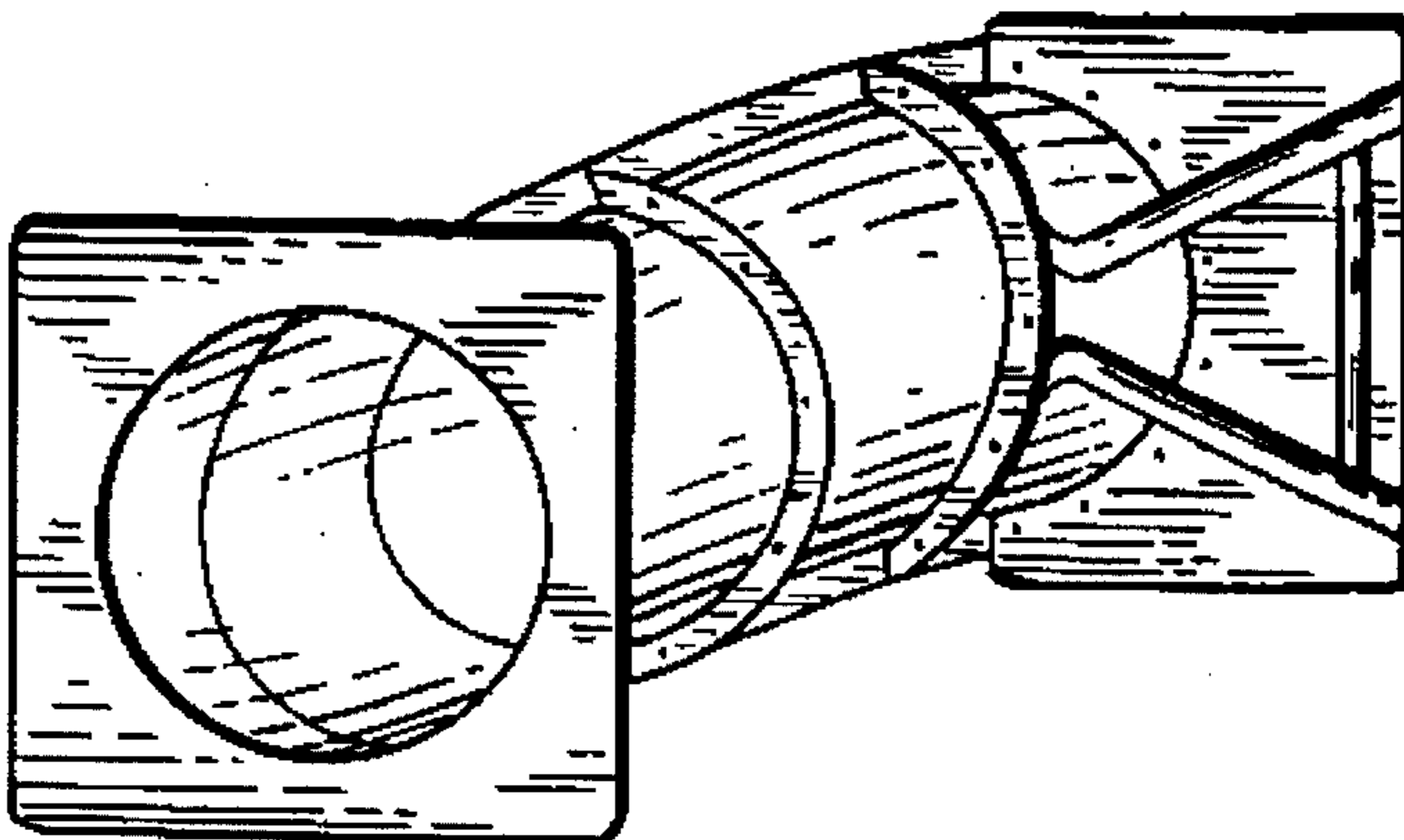


FIG. 4

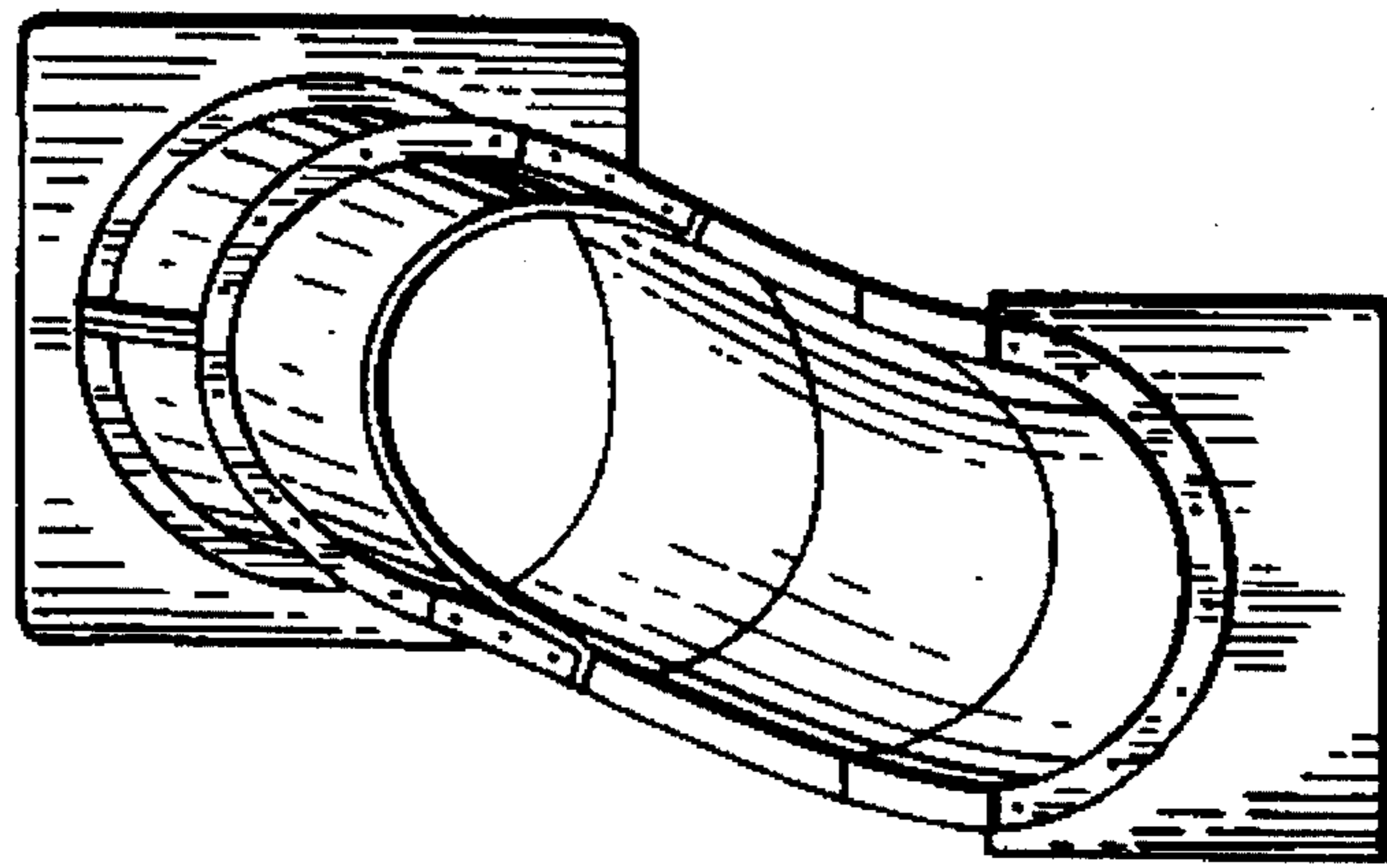


FIG. 5

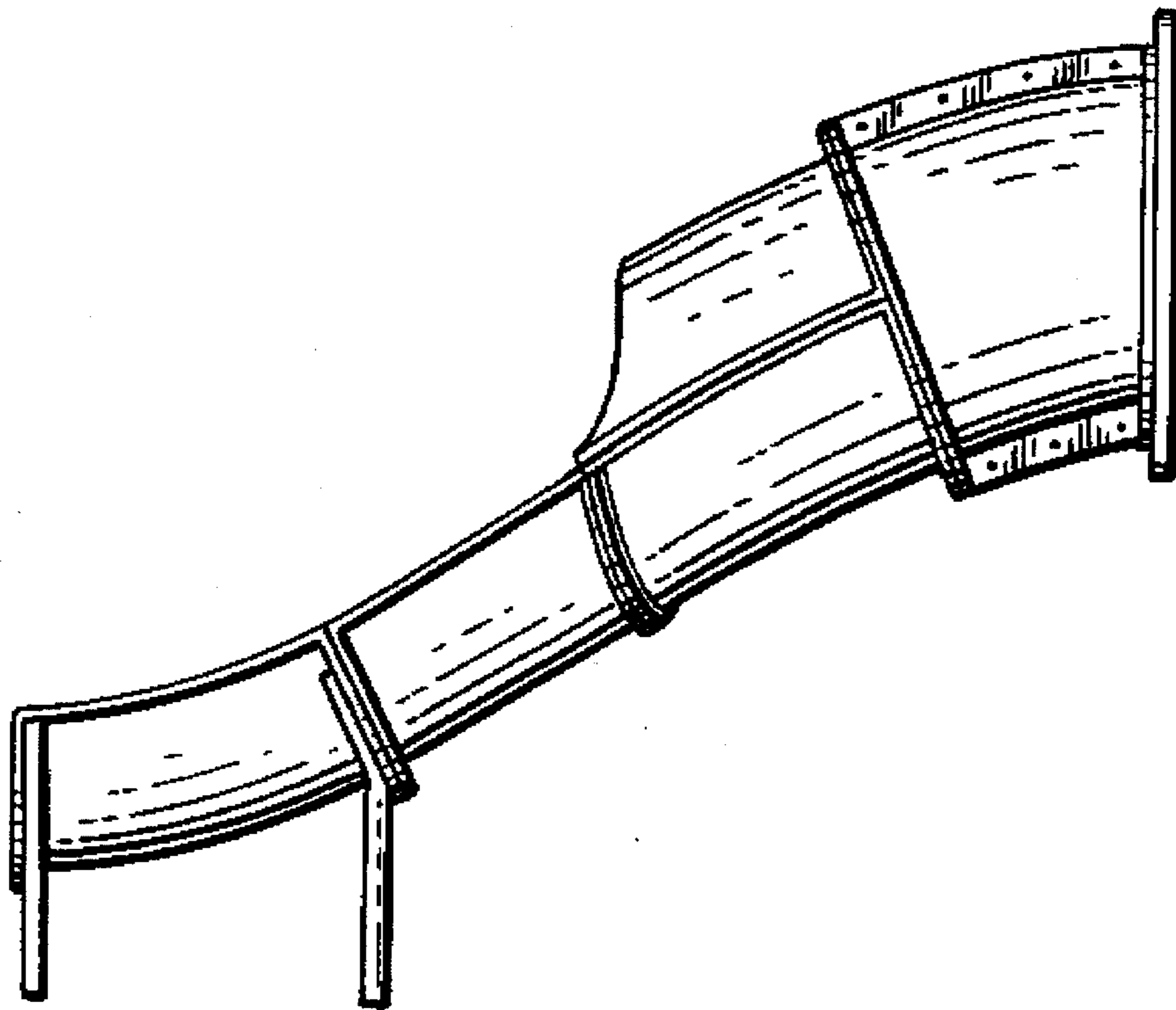


FIG. 6

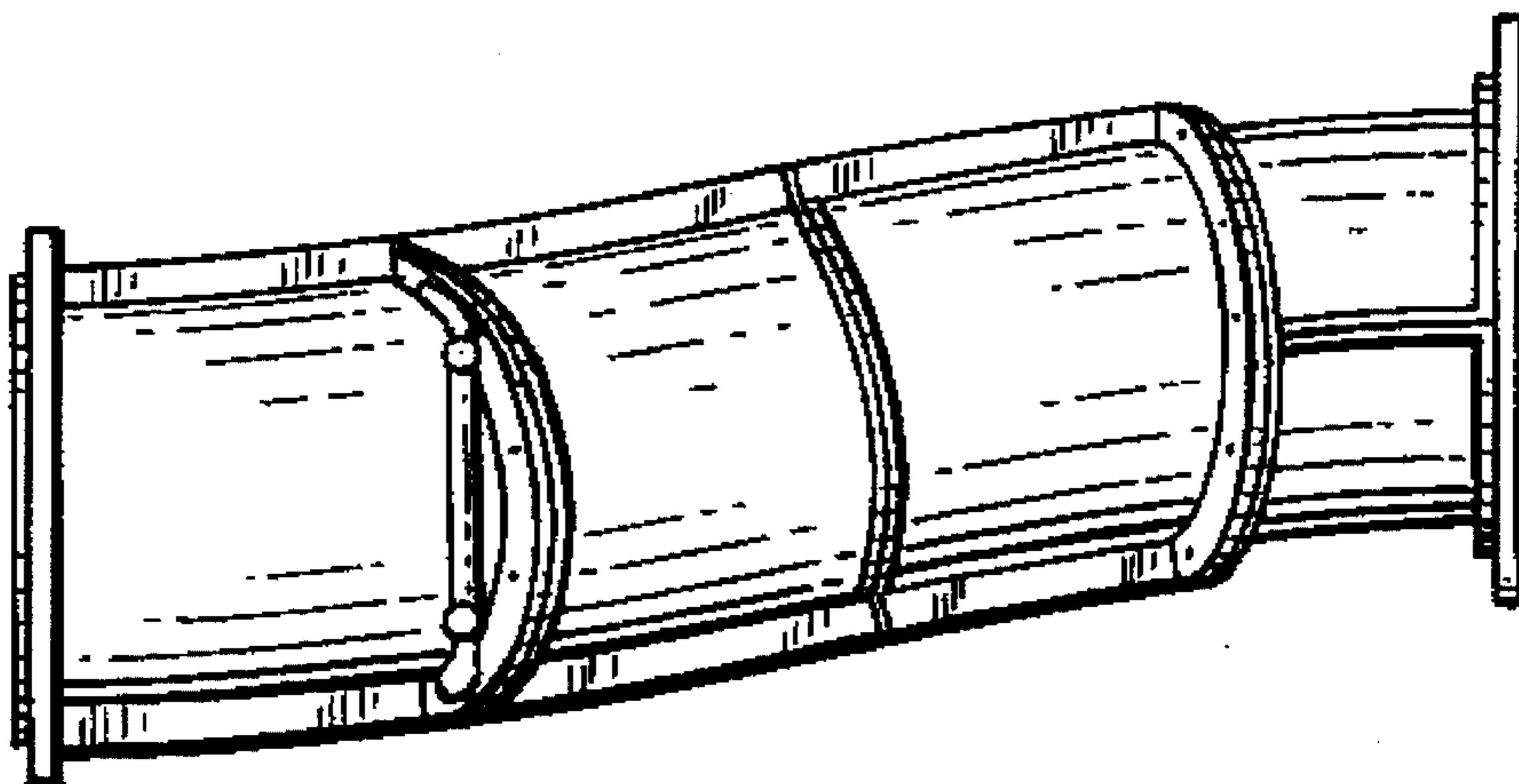


FIG. 7