



US00D372062S

United States Patent [19] Spiegel

[11] Patent Number: **Des. 372,062**

[45] Date of Patent: ****Jul. 23, 1996**

[54] **BASE FOR A KICKING TEE**

4,655,453 4/1987 Spiegel et al. .
4,657,252 4/1987 Spiegel .

[75] Inventor: **H. Jay Spiegel**, Alexandria, Va.

[73] Assignee: **Premium Products, Inc.**, Alexandria, Va.

Primary Examiner—Terry A. Wallace
Assistant Examiner—Cheri Cohen
Attorney, Agent, or Firm—H. Jay Spiegel

[**] Term: **14 Years**

[57] **CLAIM**

[21] Appl. No.: **34,733**

The ornamental design for a base for a kicking tee, as shown and described.

[22] Filed: **Feb. 10, 1995**

[52] U.S. Cl. **D21/209**

[58] Field of Search D21/209; 273/55 B,
273/55 R

DESCRIPTION

FIG. 1 is a perspective view of a base for a kicking tee showing my new design;
FIG. 2 is a top plan view thereof;
FIG. 3 is a bottom plan view thereof;
FIG. 4 is a side elevation view thereof, the opposite side being a mirror image;
FIG. 5 is a rear elevation view thereof; and,
FIG. 6 is a front elevation view thereof.

[56] References Cited

U.S. PATENT DOCUMENTS

D. 195,088	4/1963	Box	D21/209
D. 291,714	9/1987	Spiegel .		
D. 305,448	1/1990	Spiegel .		
3,309,087	3/1967	Cullity	273/55 B
4,537,397	8/1985	Kopp	273/55 B

1 Claim, 2 Drawing Sheets

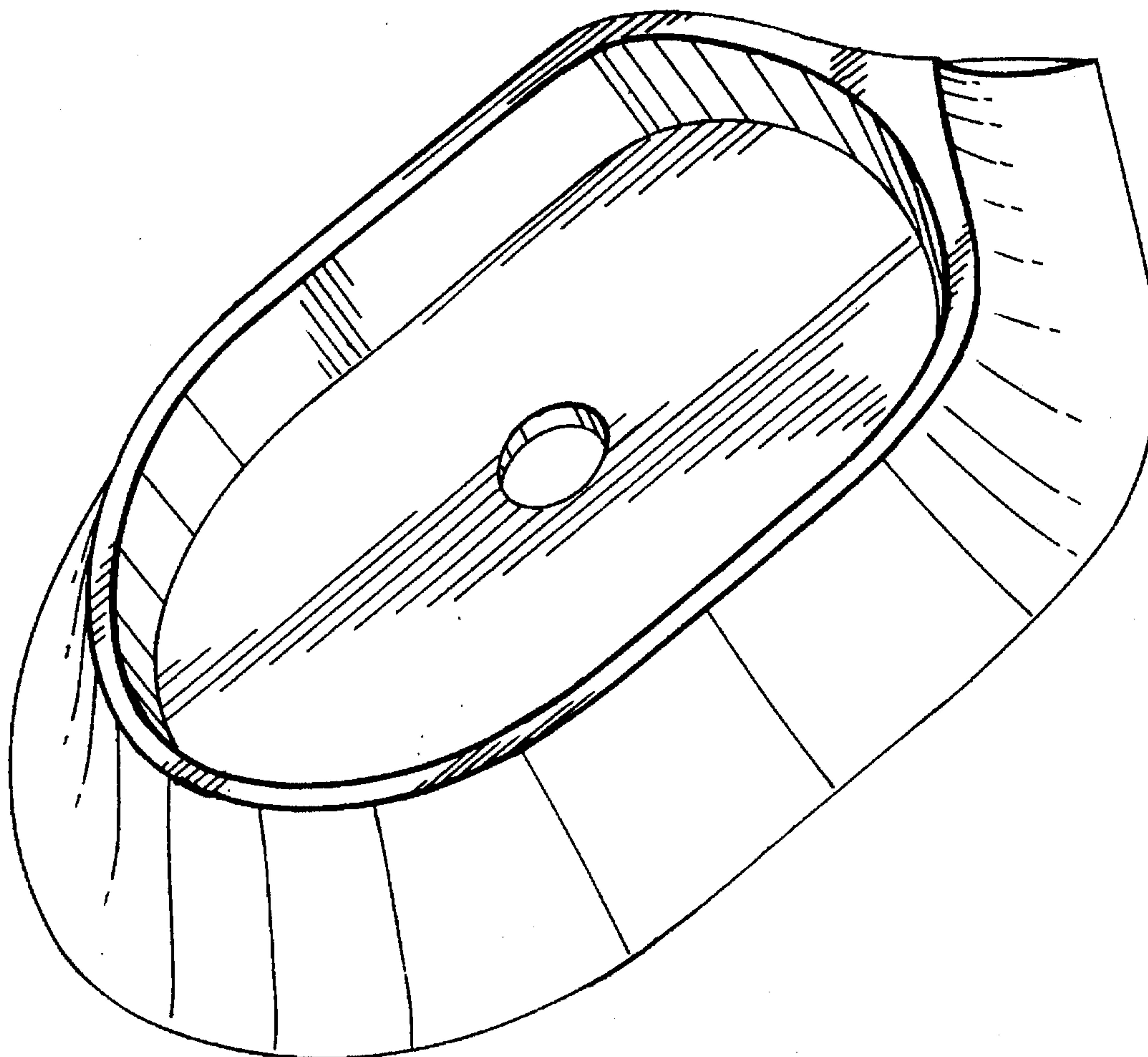


FIG. 1

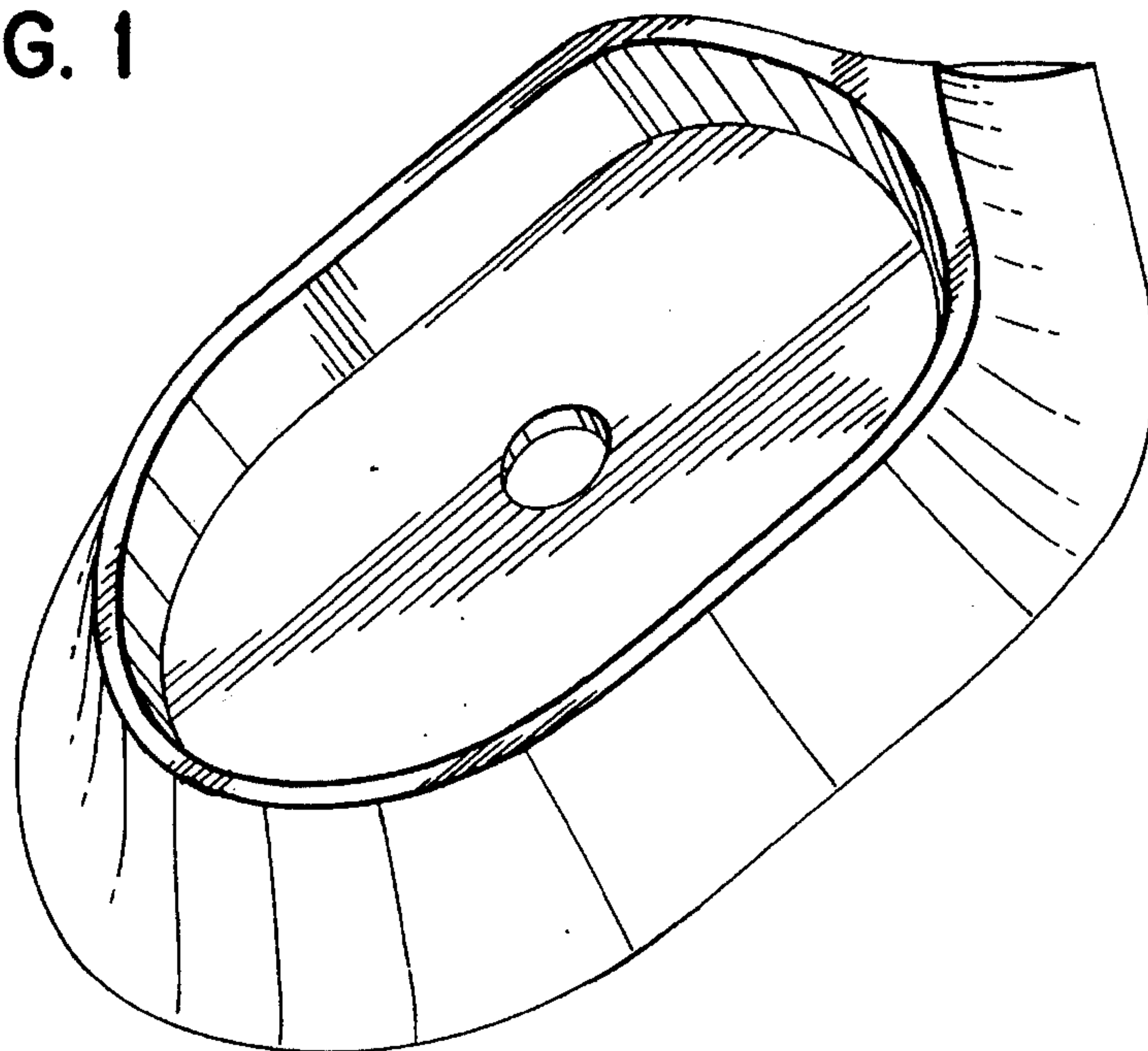


FIG. 2

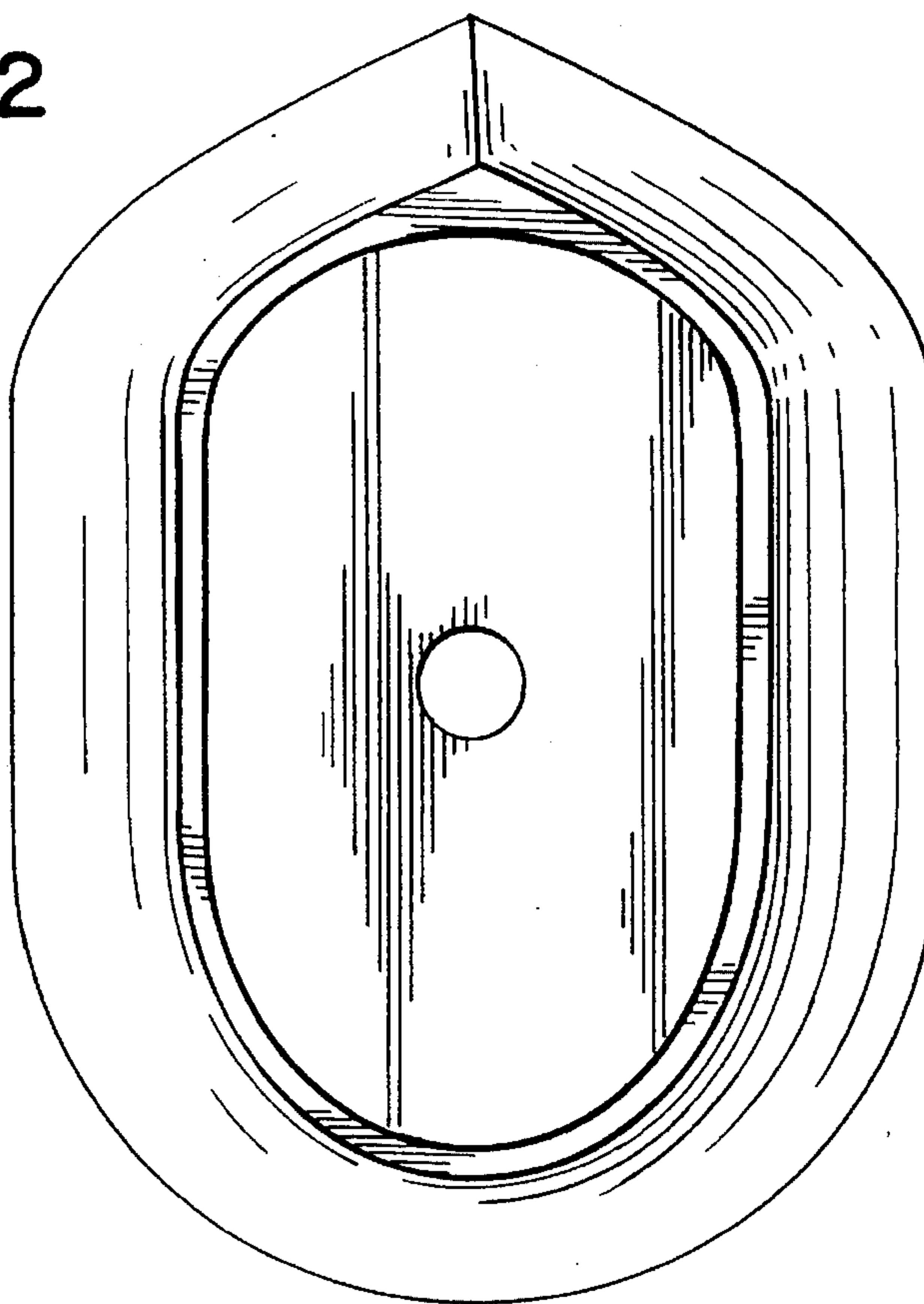


FIG. 3

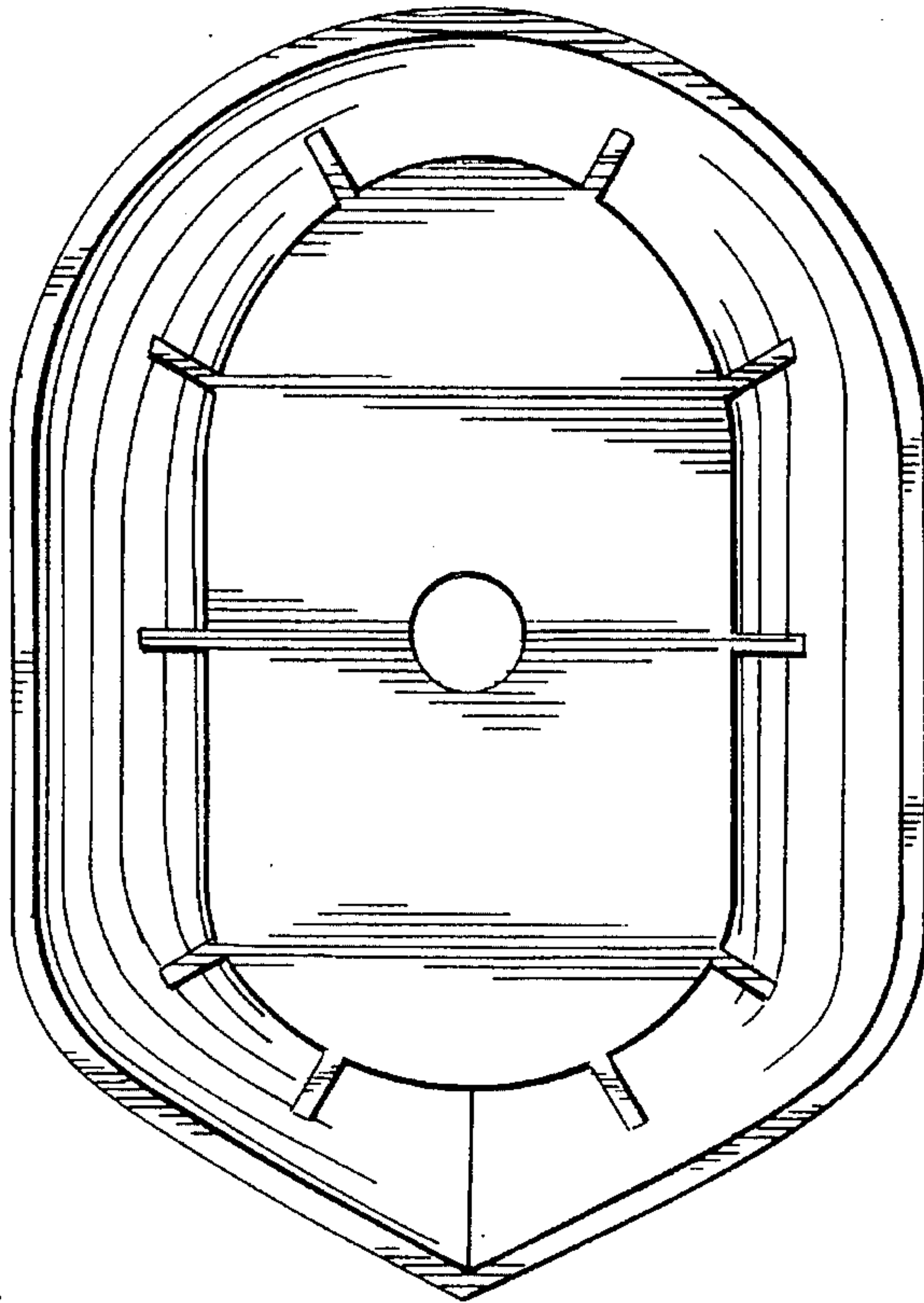


FIG. 4

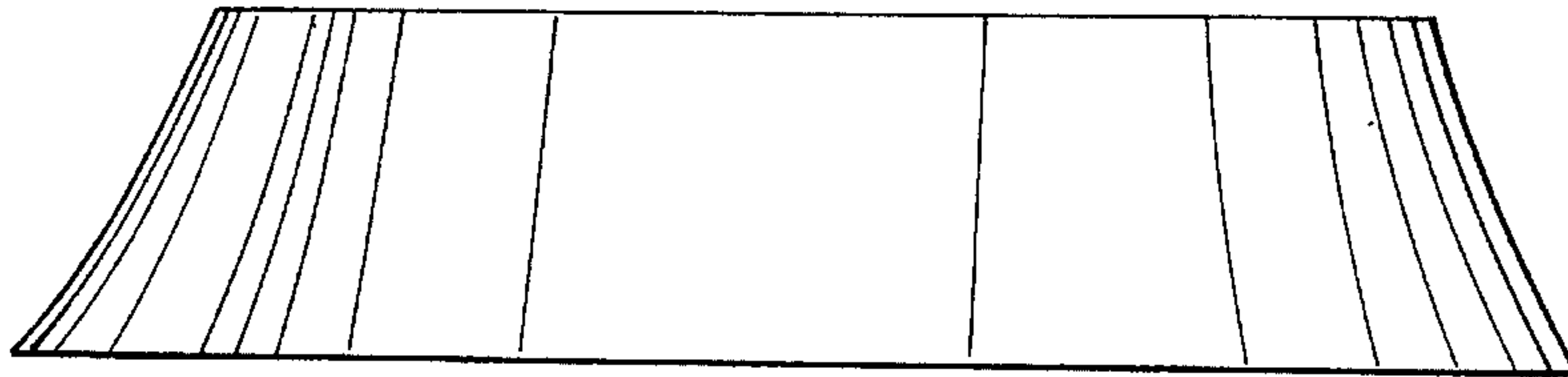


FIG. 5

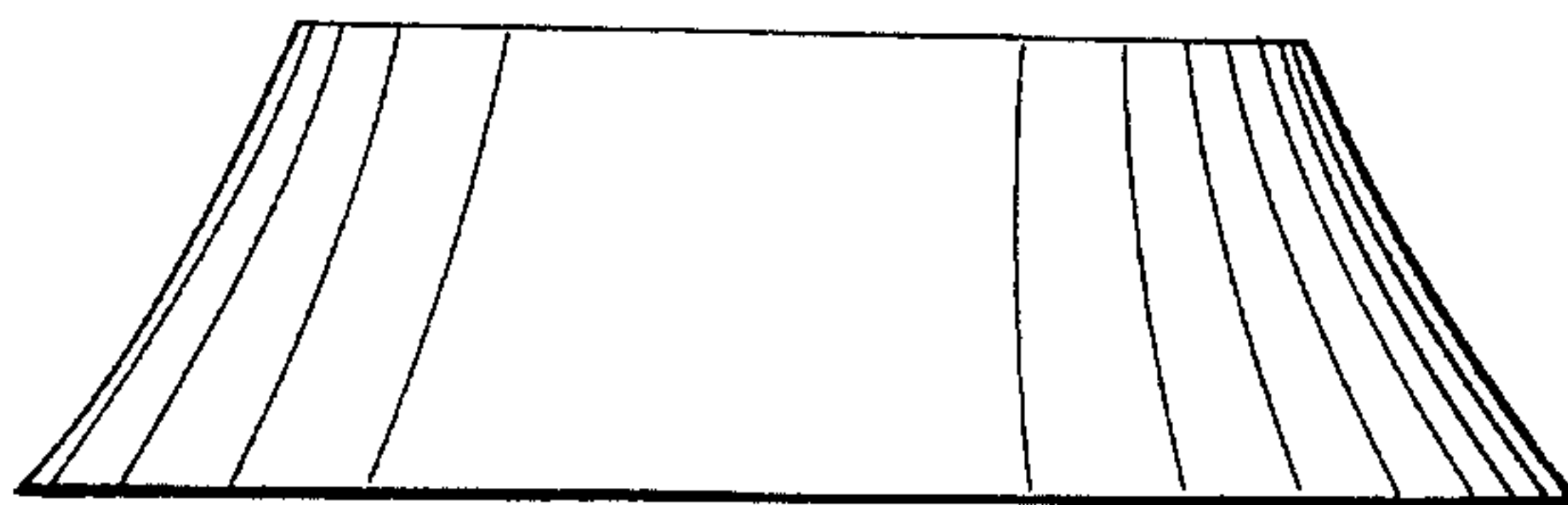


FIG. 6

