



US00D372061S

**United States Patent** [19]  
**Chen**

[11] **Patent Number: Des. 372,061**

[45] **Date of Patent: \*\*Jul. 23, 1996**

[54] **TRANSMISSION ASSEMBLY CASING FOR A BICYCLE EXERCISER**

D. 356,840 3/1995 Huang ..... D21/194  
D. 360,002 7/1995 Wu ..... D21/194  
D. 360,916 8/1995 Koga ..... D21/194

[76] Inventor: **Ping Chen**, No. 20, Nan-Mei St.,  
Taichung City, Taiwan

*Primary Examiner*—Philip S. Hyder  
*Attorney, Agent, or Firm*—Ladas & Parry

[\*\*] Term: **14 Years**

[57] **CLAIM**

[21] Appl. No.: **37,485**

The ornamental design for a transmission assembly casing for a bicycle exerciser, as shown and described.

[22] Filed: **Apr. 13, 1995**

[52] U.S. Cl. .... **D21/194**

**DESCRIPTION**

[58] **Field of Search** ..... D21/191, 192,  
D21/194, 195; 482/51, 57, 58, 59; D12/126,  
127

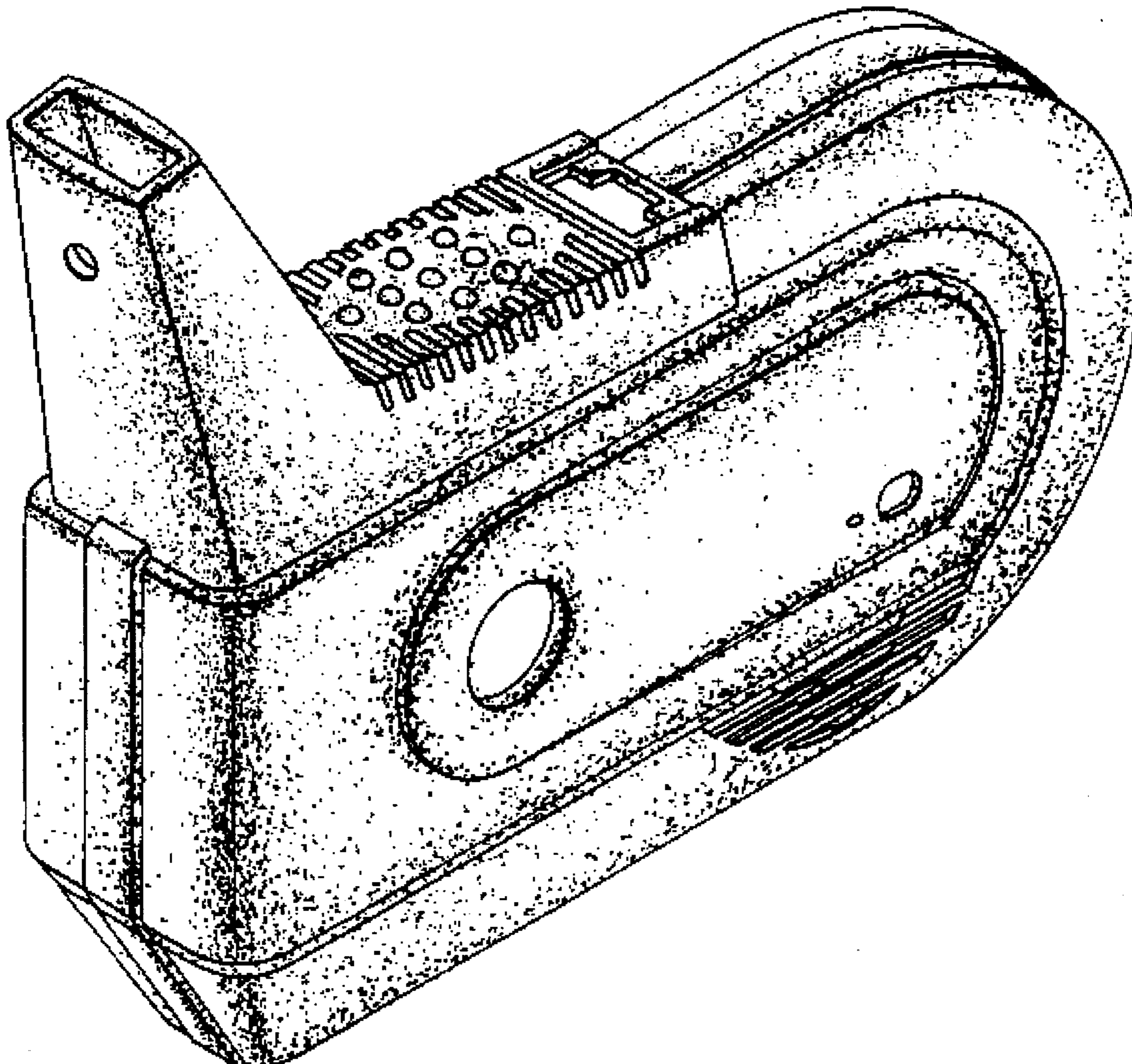
FIG. 1 is a perspective view of transmission assembly casing for a bicycle exerciser showing my new design; FIG. 2 is a front elevational view thereof; FIG. 3 is a rear elevational view thereof; FIG. 4 is a left side elevational view thereof; FIG. 5 is a right side elevational view thereof; FIG. 6 is a top plan view thereof; and, FIG. 7 is a bottom plan view thereof.

[56] **References Cited**

**U.S. PATENT DOCUMENTS**

D. 280,923 10/1985 Smith et al. .... D21/194  
D. 299,371 1/1989 Tsuyama ..... D21/194  
D. 325,410 4/1992 Chen ..... D21/194  
D. 344,774 3/1994 Lertyaovarit ..... D21/194

**1 Claim, 3 Drawing Sheets**



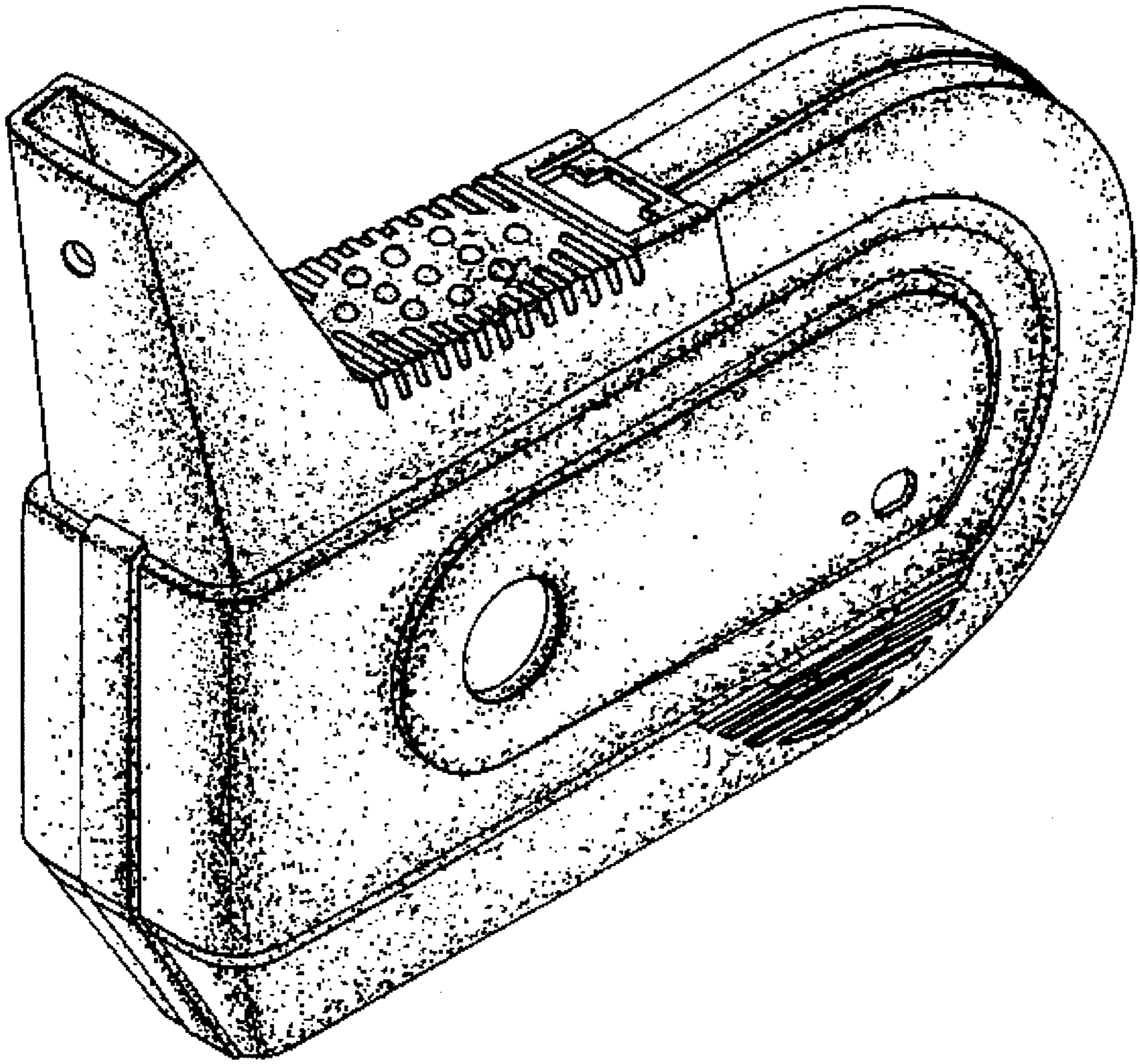


FIG. 1

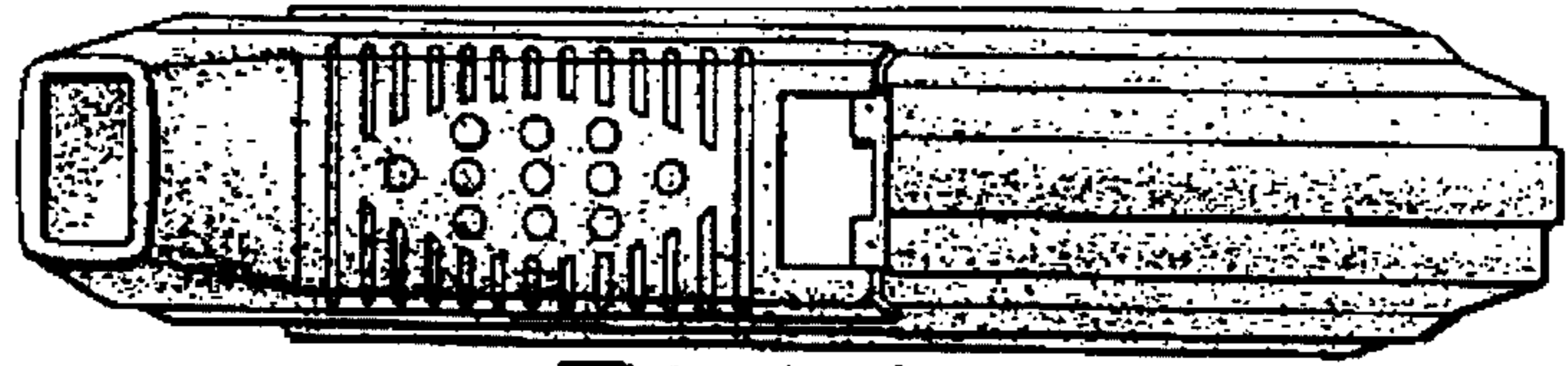


FIG. 6

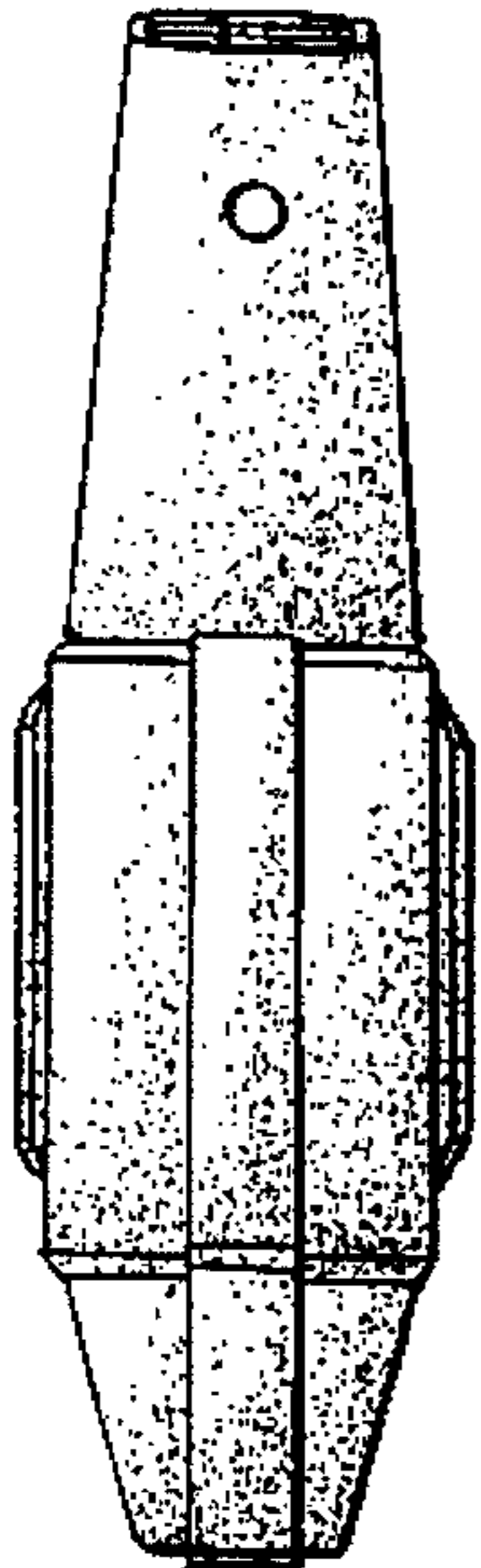


FIG. 4

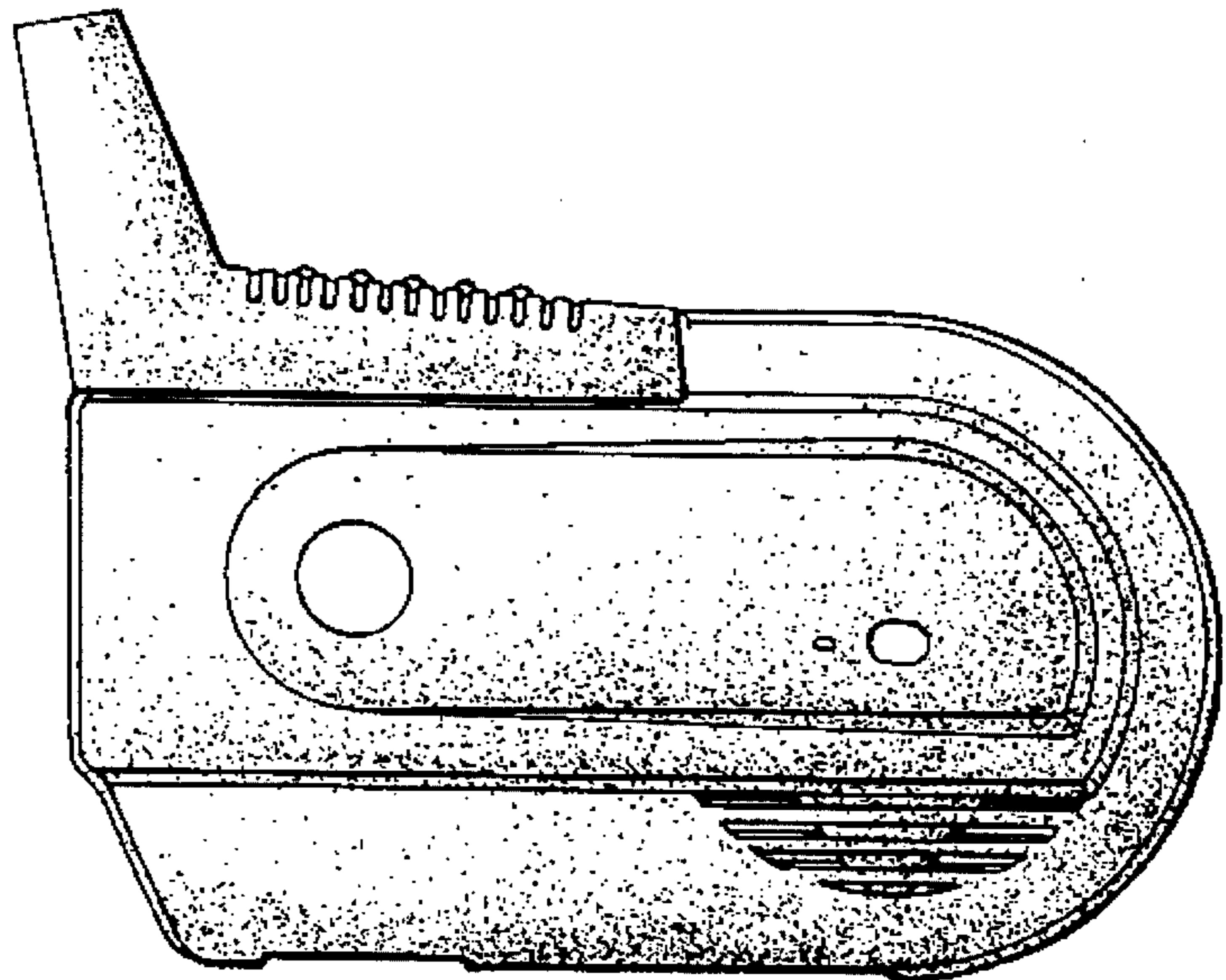


FIG. 2

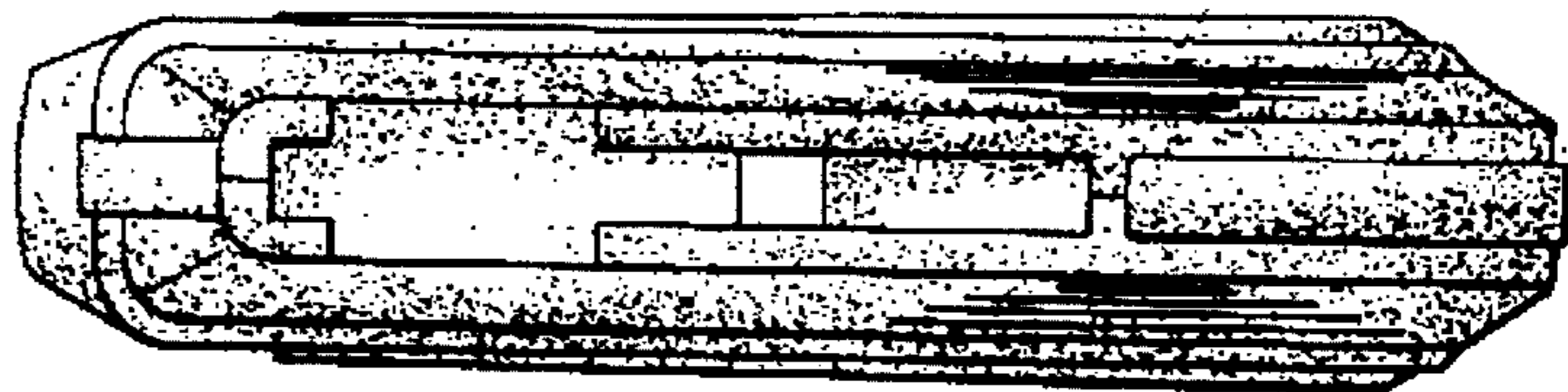


FIG. 7

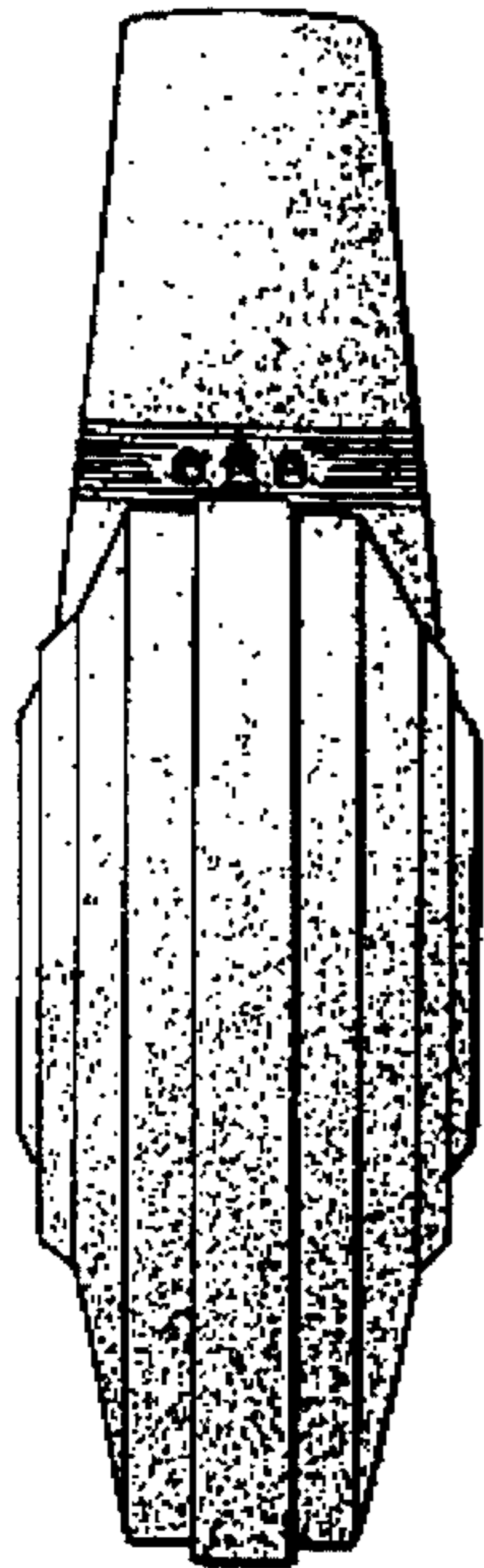


FIG. 5

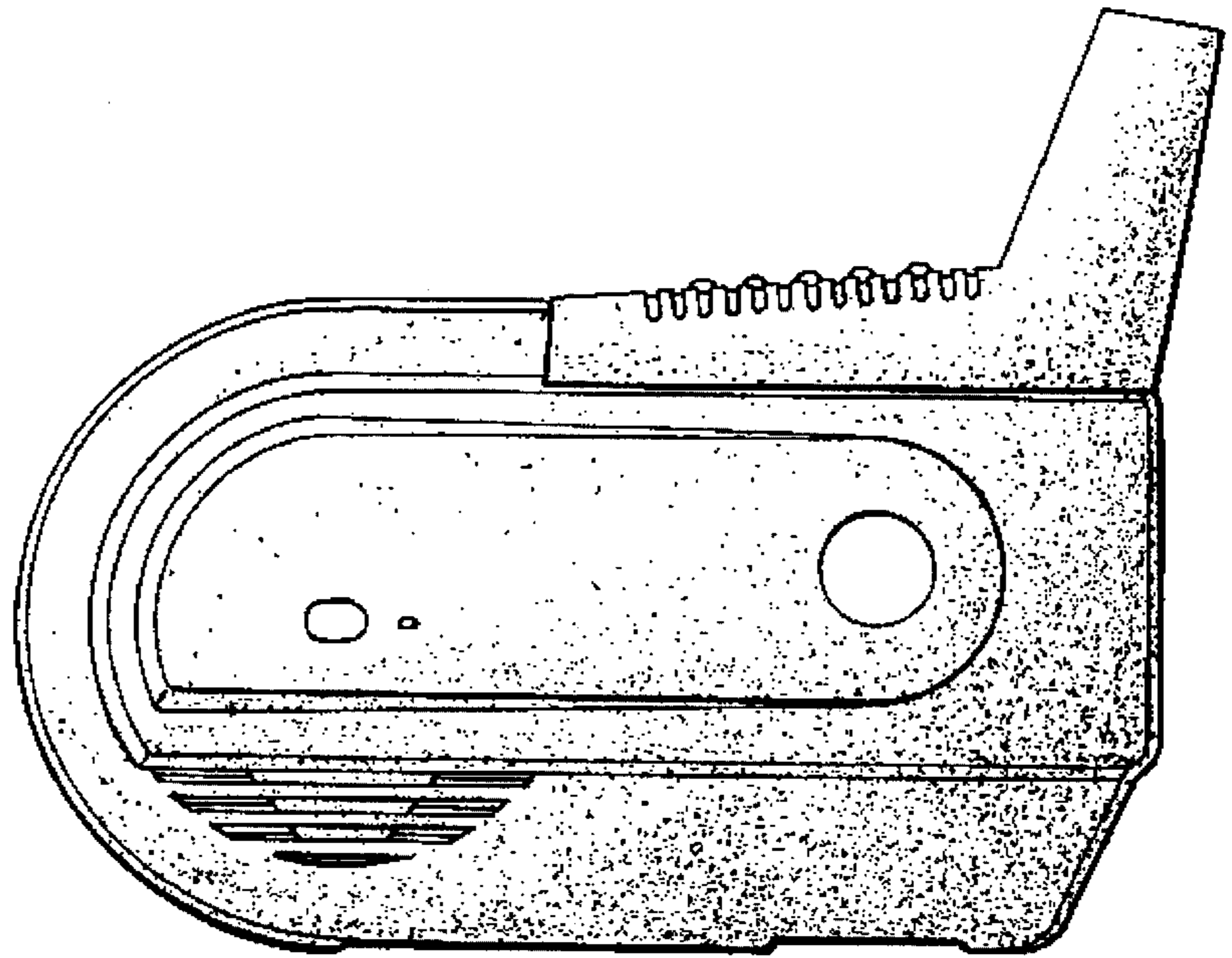


FIG. 3