



US00D372060S

# United States Patent [19]

Wang et al.

[11] Patent Number: **Des. 372,060**

[45] Date of Patent: **\*\*Jul. 23, 1996**

[54] **EXERCISE BICYCLE**

[75] Inventors: **Leao Wang; Peter Wu**, both of Taichung Hsien, Taiwan

[73] Assignee: **Greenmaster Industrial Corp.**, Taichung Hsien, Taiwan

[\*\*] Term: **14 Years**

[21] Appl. No.: **36,074**

[22] Filed: **Mar. 13, 1995**

[52] U.S. Cl. .... **D21/194**

[58] Field of Search ..... D21/191, 192, 193, 194, 195; 482/51, 52, 57, 58, 59, 65, 66

[56] **References Cited**

**U.S. PATENT DOCUMENTS**

D. 298,641	11/1988	Sheltra	.....	D21/194
D. 300,047	2/1989	Sheltra	.....	D21/194
D. 305,677	1/1990	Beistegui	.....	D21/194
D. 318,086	7/1991	Bingham et al.	.....	D21/194
D. 320,826	10/1991	Hildebrandt et al.	.....	D21/194

D. 324,090	2/1992	Miller	.....	D21/194
D. 330,237	10/1992	Miller	.....	D21/194
D. 340,758	10/1993	Ueda	.....	D21/194
D. 342,299	12/1993	Birrell et al.	.....	D21/194
D. 347,039	5/1994	Littrell et al.	.....	D21/194
D. 355,942	2/1995	Wu	.....	D21/194

*Primary Examiner*—Philip S. Hyder  
*Attorney, Agent, or Firm*—Bacon & Thomas

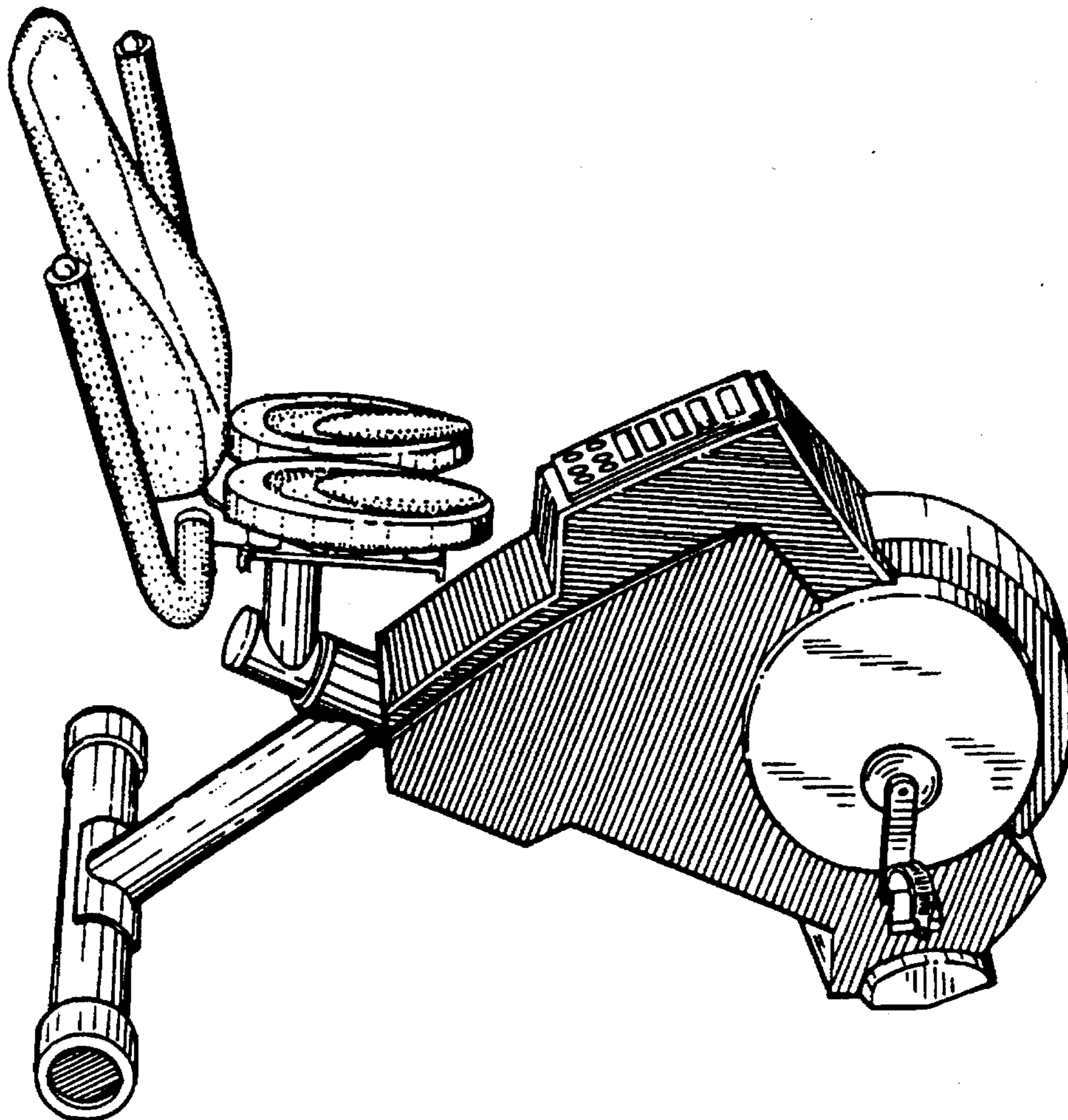
[57] **CLAIM**

The ornamental design for a exercise bicycle, as shown and described.

**DESCRIPTION**

FIG. 1 is a perspective view of a exercise bicycle according to our design;  
FIG. 2 is a front elevational view thereof;  
FIG. 3 is a rear elevational view thereof;  
FIG. 4 is a left side elevational view thereof;  
FIG. 5 is a right side elevational view thereof;  
FIG. 6 is a top plan view thereof; and,  
FIG. 7 is a bottom plan view thereof.

**1 Claim, 4 Drawing Sheets**



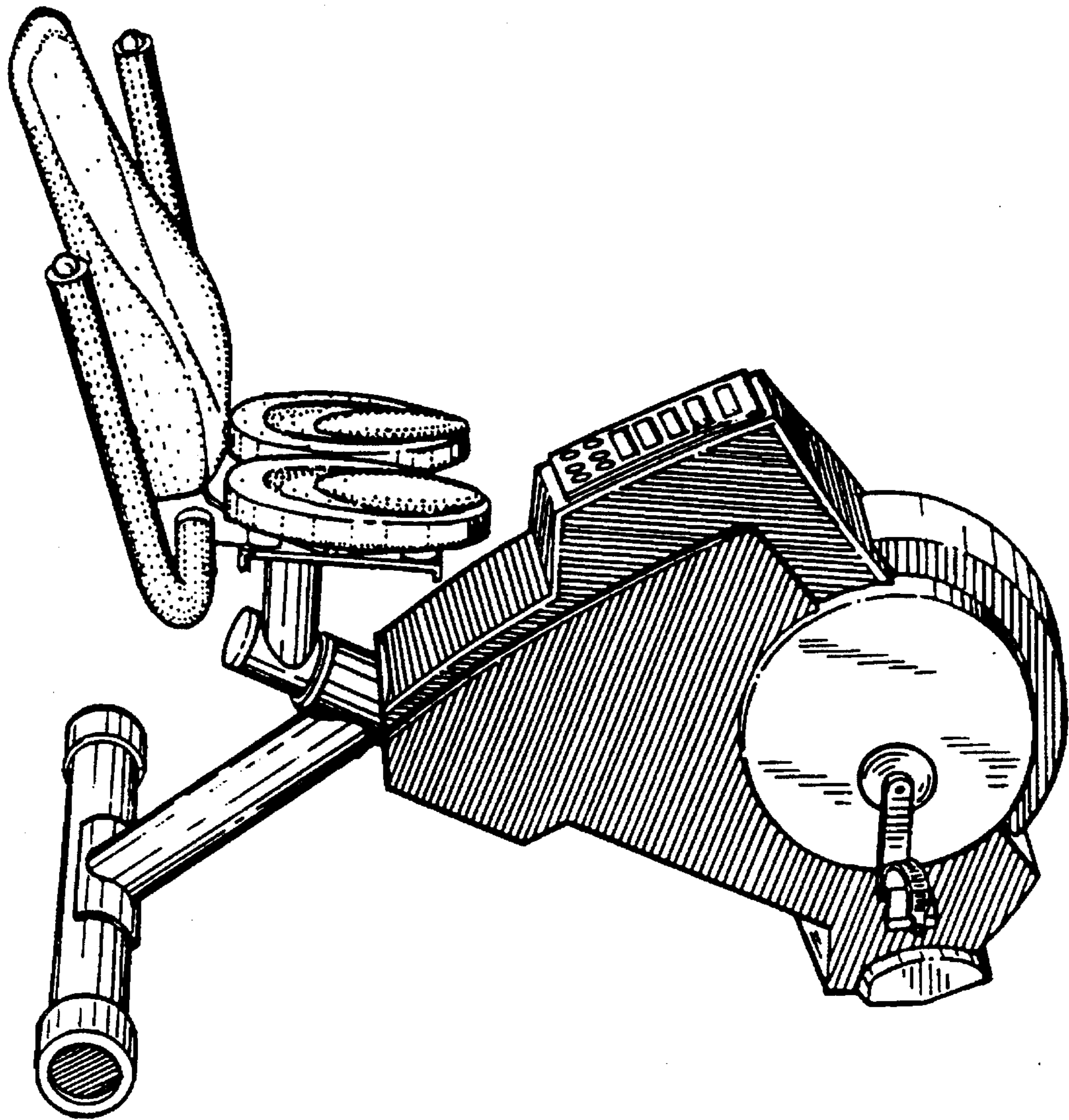


FIG. 1

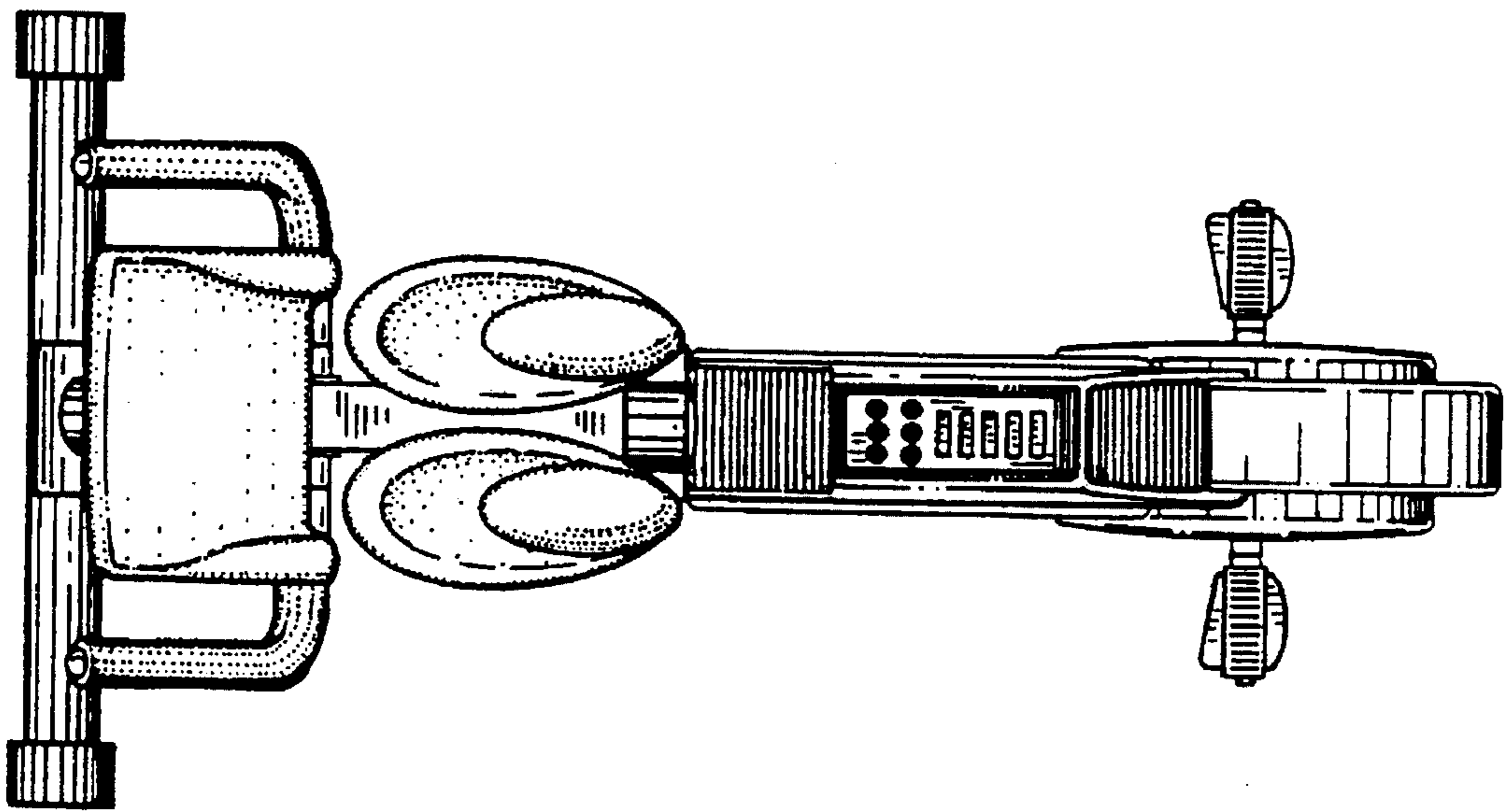


FIG. 6

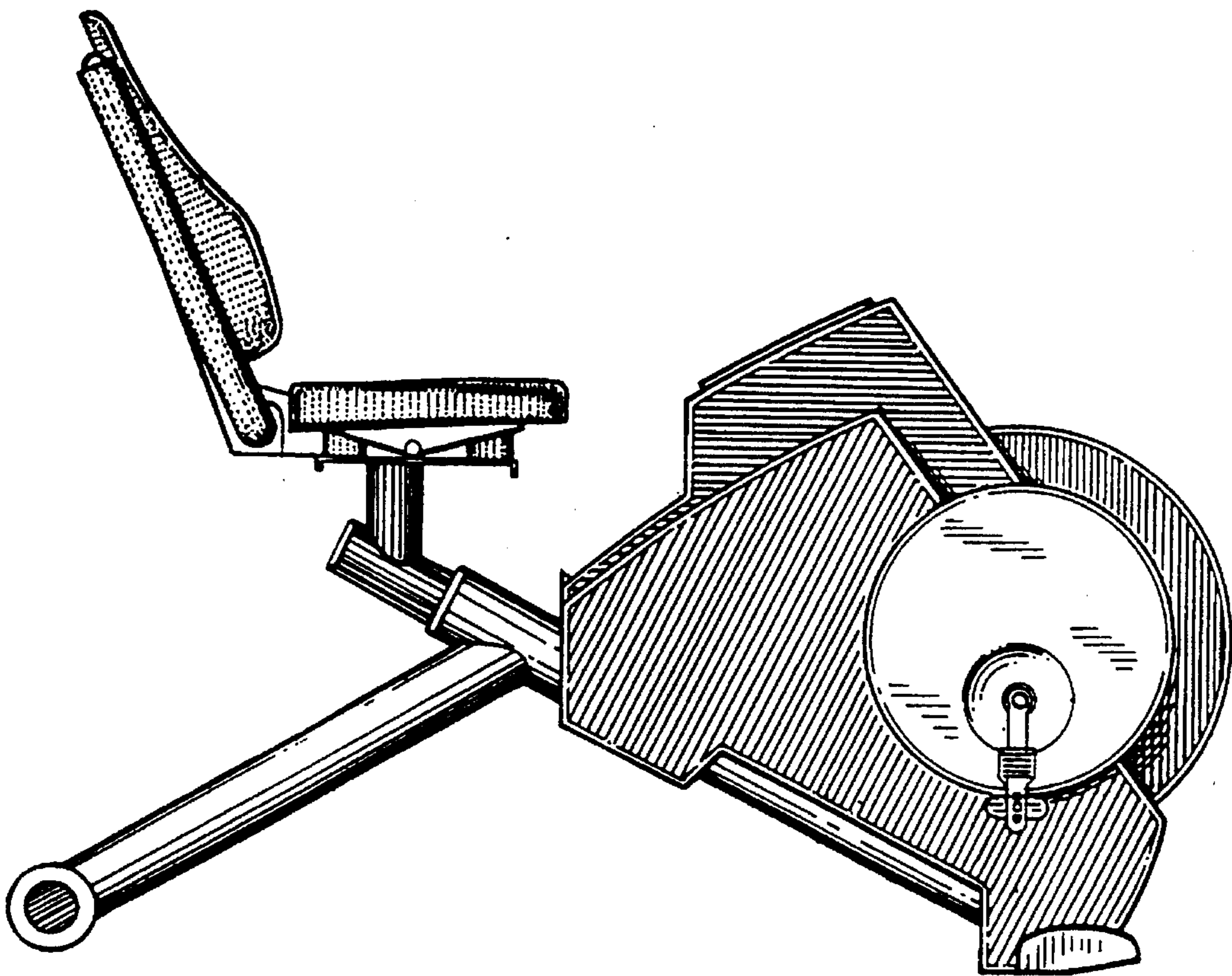


FIG. 2

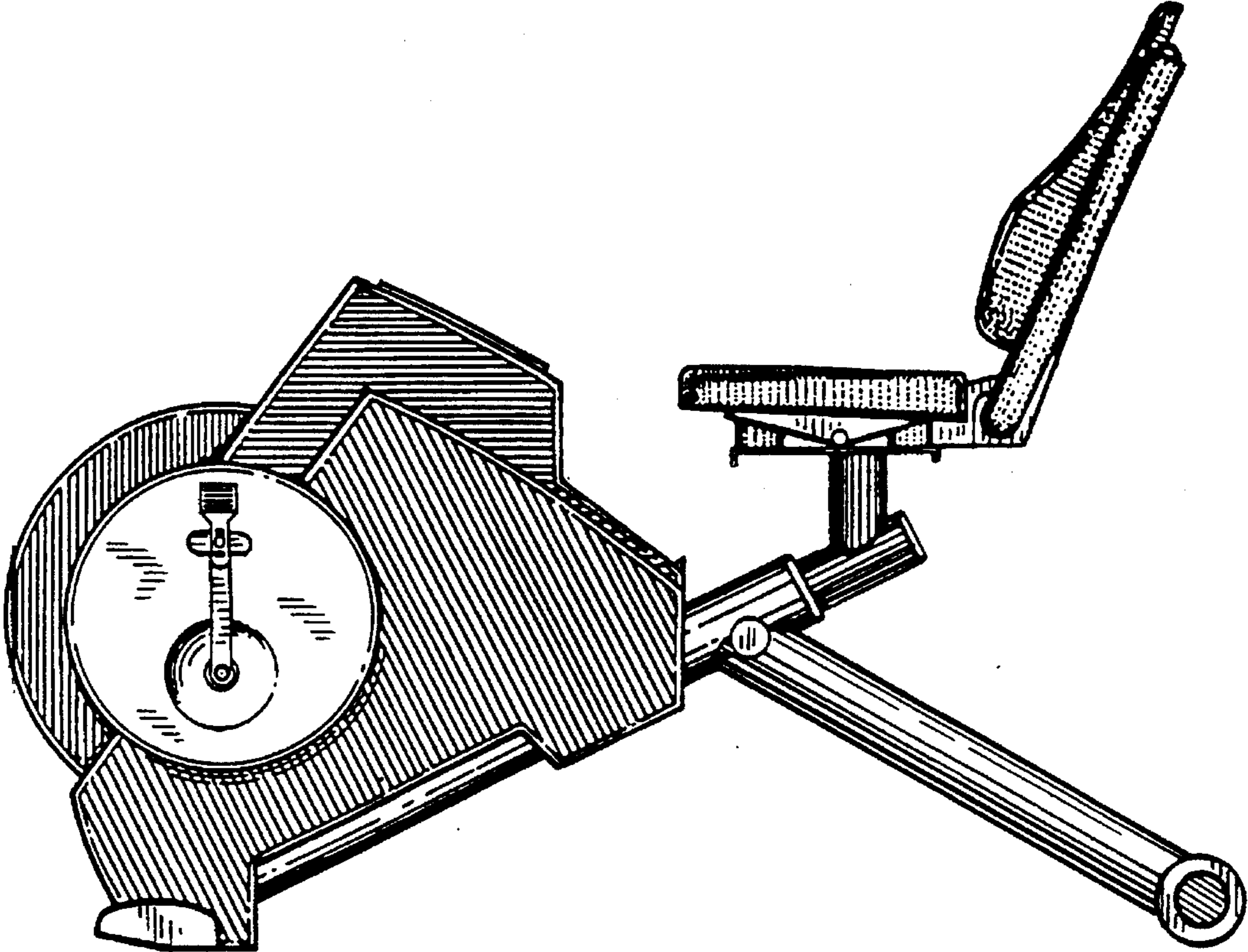


FIG. 3

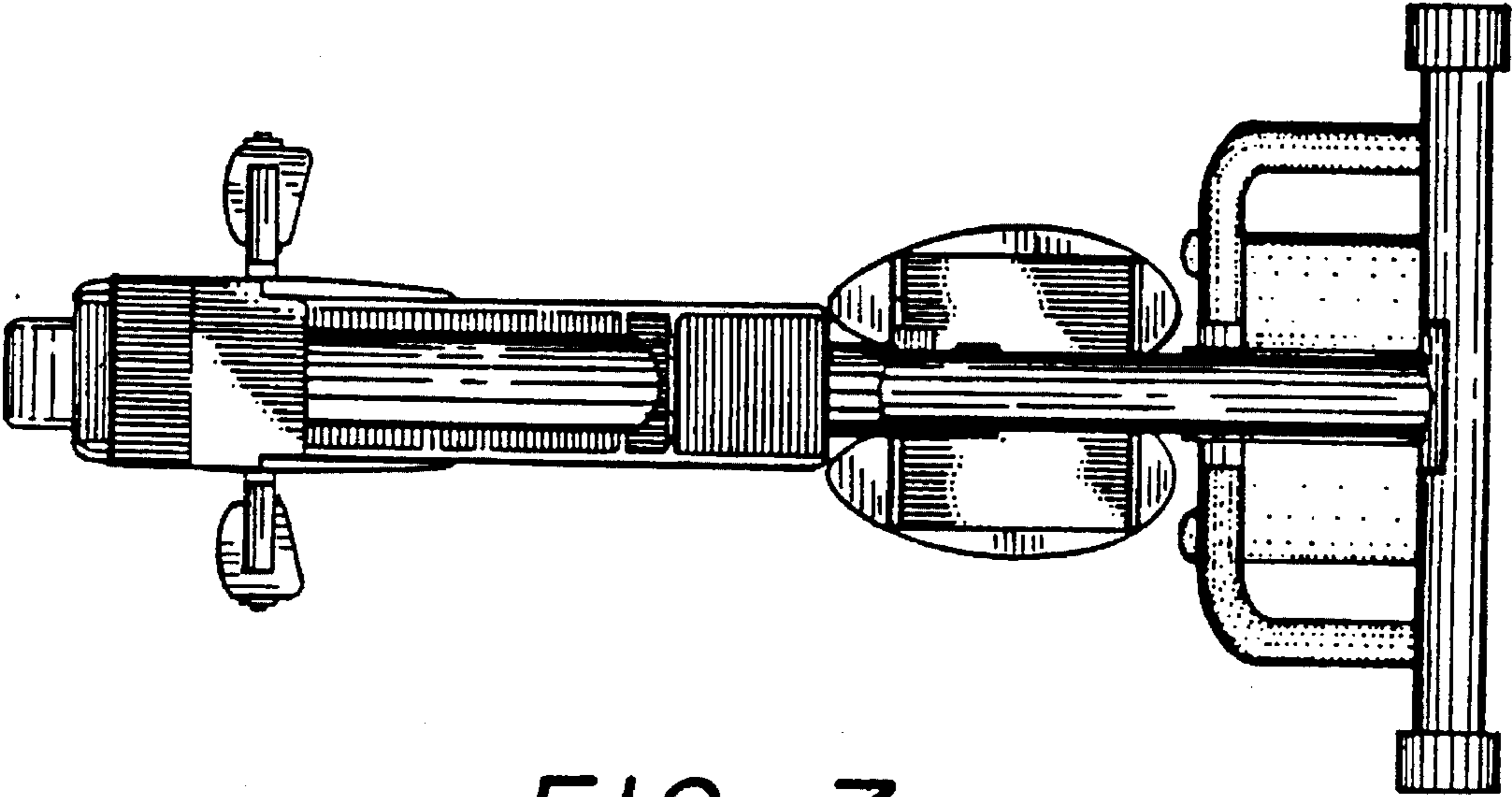


FIG. 7

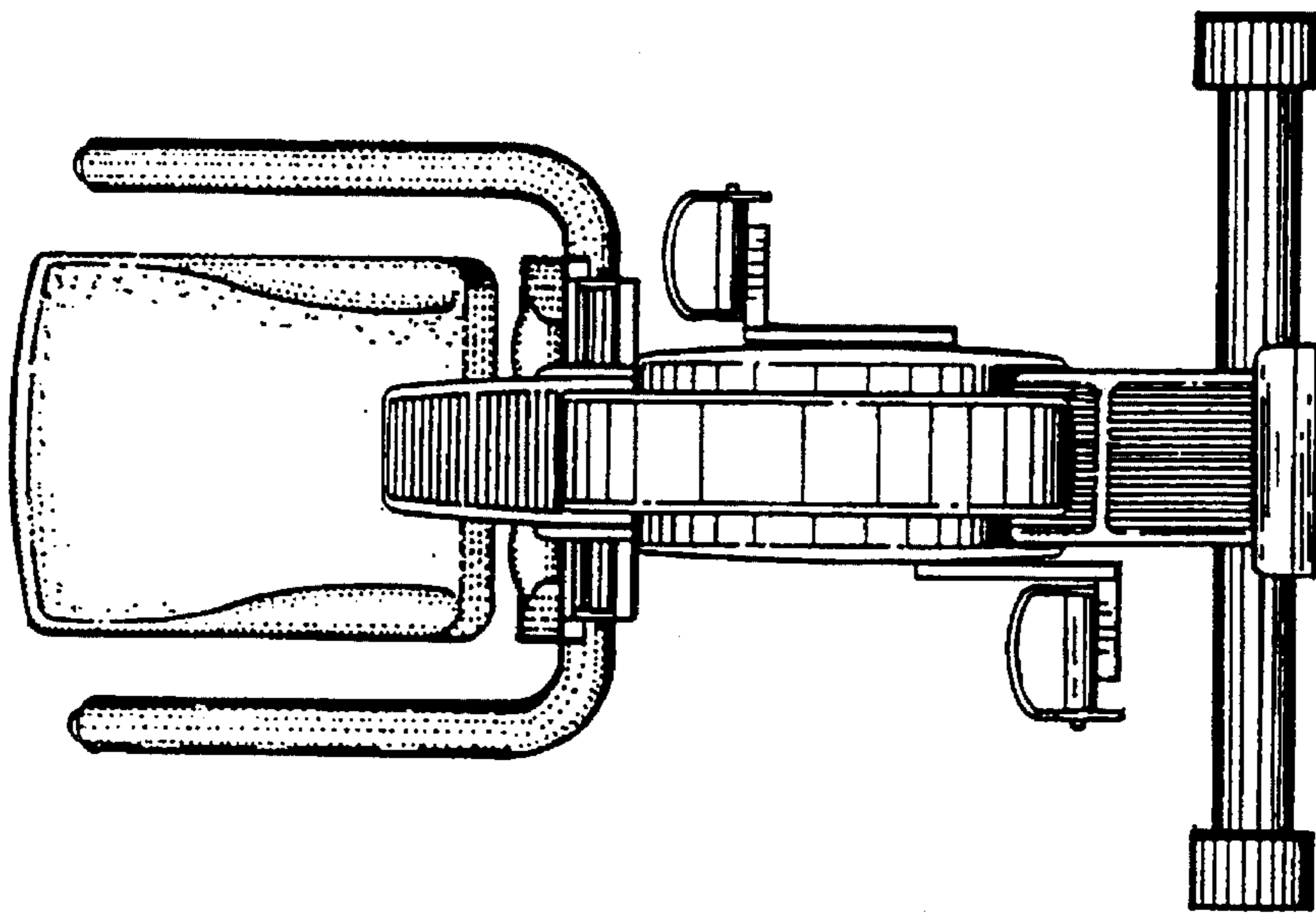


FIG. 5

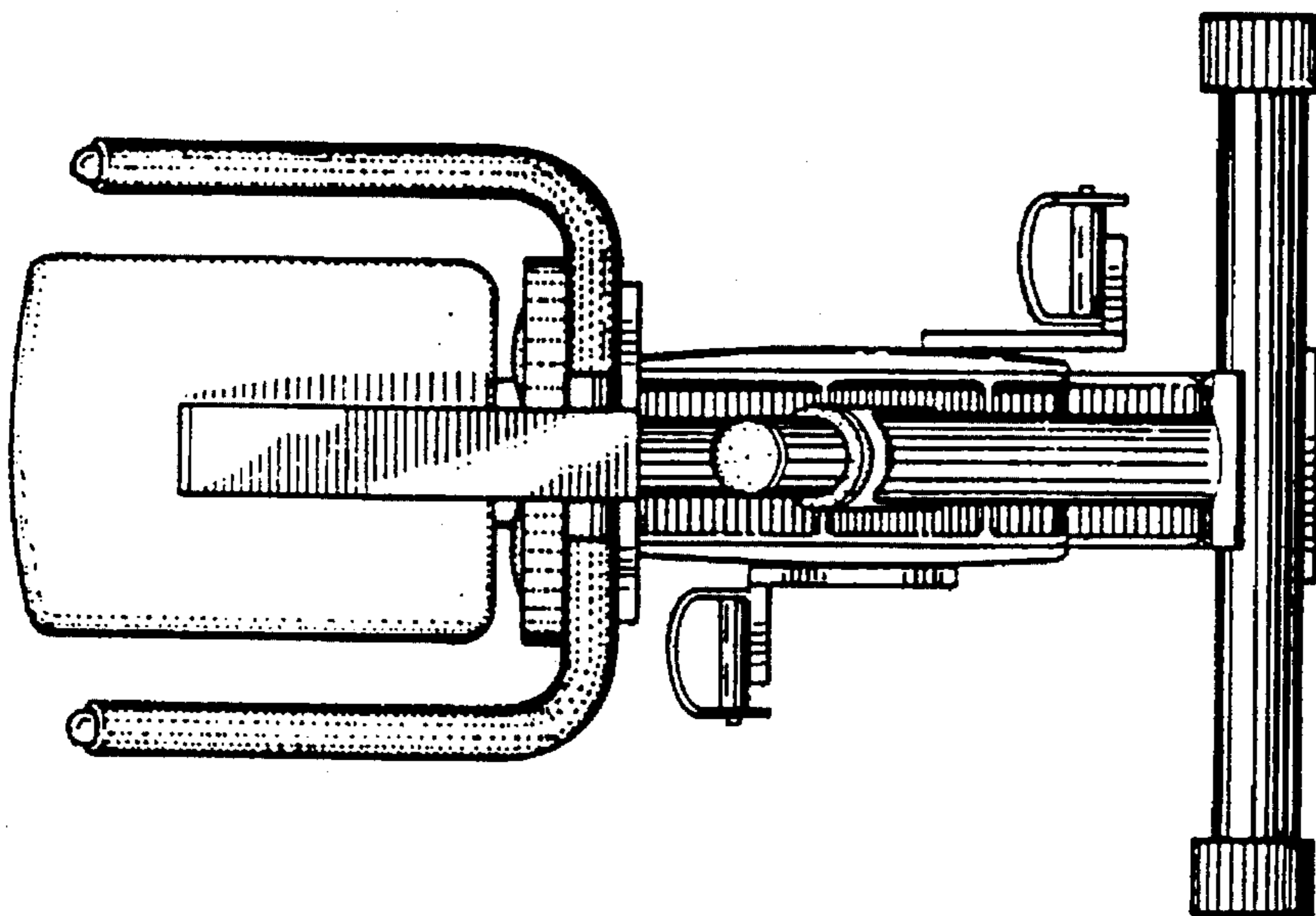


FIG. 4