



US00D372058S

United States Patent [19] Yang

[11] Patent Number: **Des. 372,058**

[45] Date of Patent: ****Jul. 23, 1996**

[54] **TOY ROASTER OVEN**

[76] Inventor: **Chin-Long Yang**, No. 48, Lane 502,
Wen Shyan Rd., Tainan, Taiwan

[**] Term: **14 Years**

[21] Appl. No.: **39,299**

[22] Filed: **May 22, 1995**

[52] U.S. Cl. **D21/122; D7/350**

[58] Field of Search **D21/122; D7/350,**
D7/351, 348, 328, 329; 446/481, 408

[56] **References Cited**

U.S. PATENT DOCUMENTS

D. 176,084	11/1955	Sado	D7/350
D. 260,104	8/1981	Klawitter	D21/122
D. 272,407	1/1984	Notbohm	D7/350
D. 292,469	10/1987	Nakagawa et al.	D7/350
D. 313,678	1/1991	Yamaguchi et al.	D7/350
4,781,646	11/1988	Dibley	446/481

OTHER PUBLICATIONS

Sears Wishbook, 1991, p. 388, oven top of page.

Primary Examiner—Raphael Barkai

Attorney, Agent, or Firm—Morton J. Rosenberg; David I. Klein

[57] **CLAIM**

The ornamental design for a toy roaster oven, as shown and described.

DESCRIPTION

FIG. 1 is a perspective view of a toy roaster oven showing my present design;

FIG. 2 is a front view thereof;

FIG. 3 is a rear view thereof;

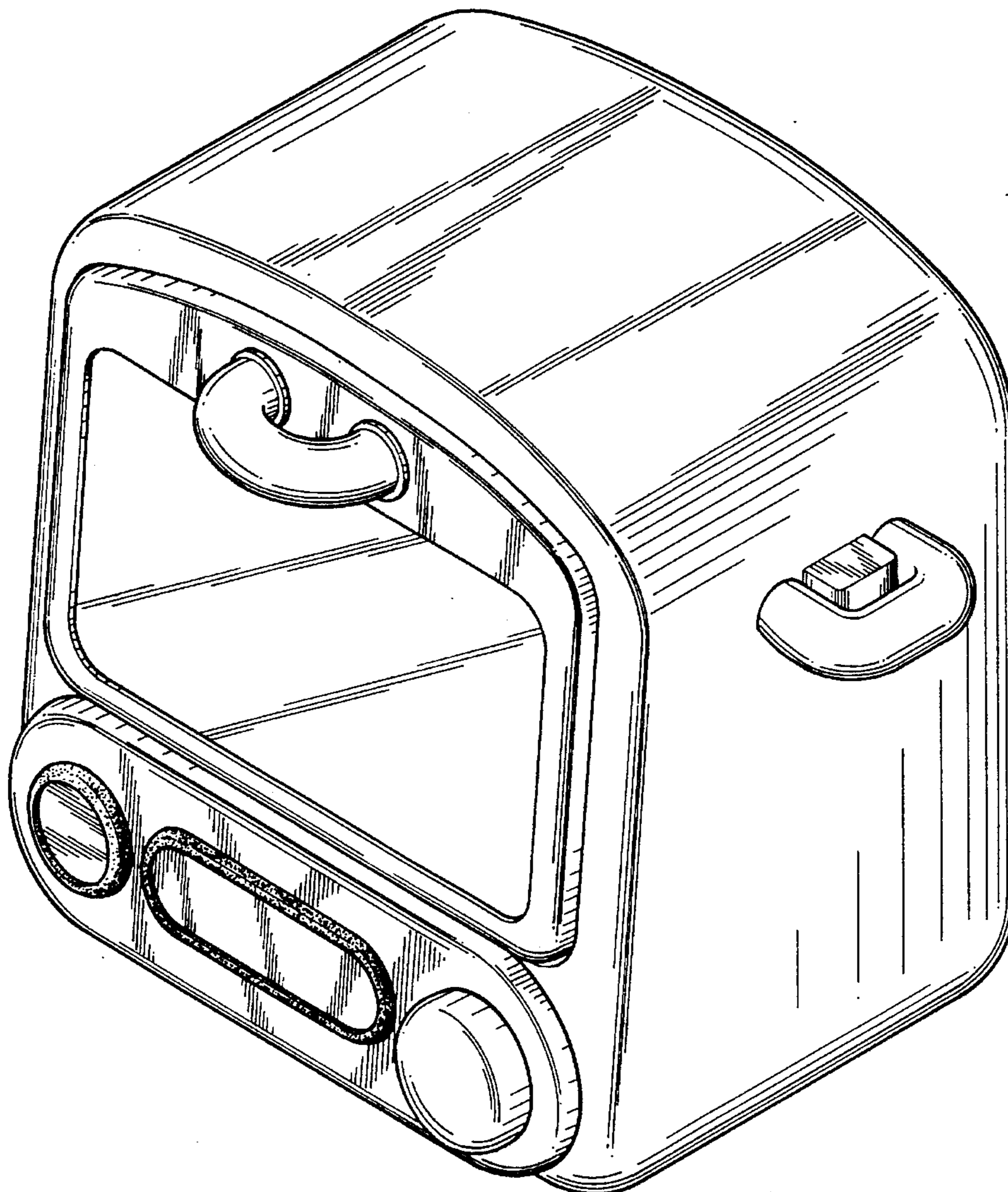
FIG. 4 is a left view thereof;

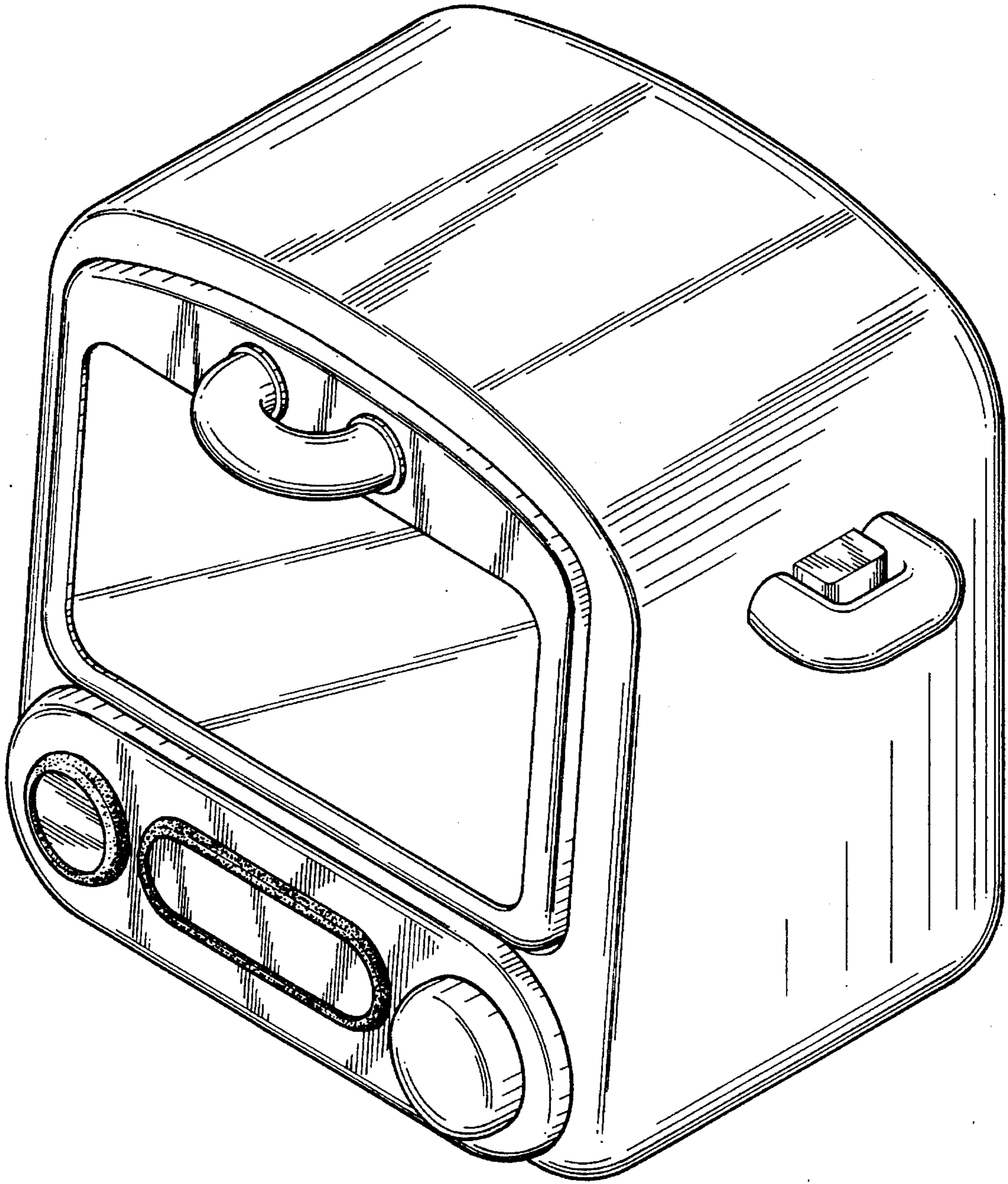
FIG. 5 is a right view thereof;

FIG. 6 is a top plan view thereof; and,

FIG. 7 is a bottom plan view.

1 Claim, 7 Drawing Sheets





F I G . 1

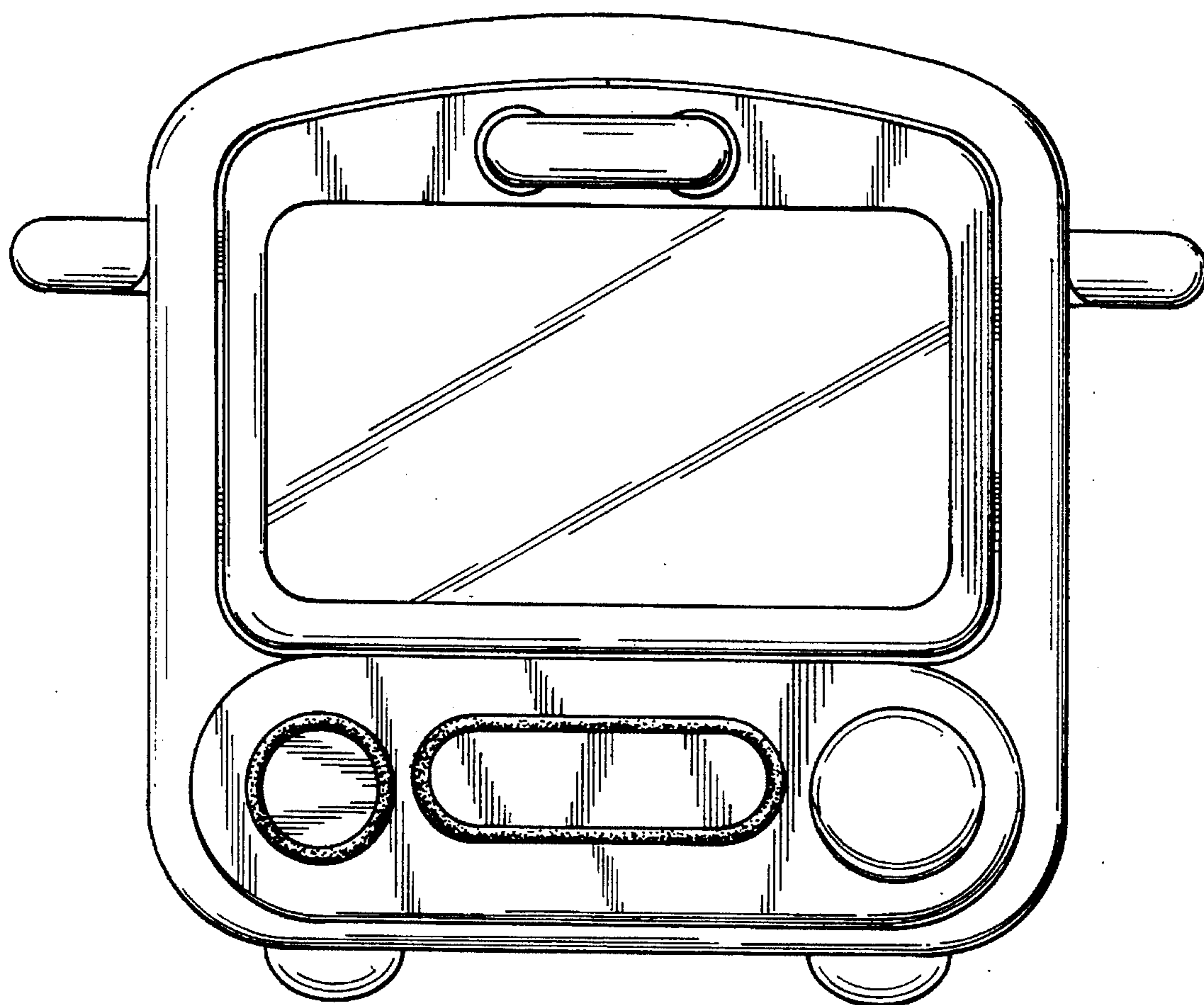


FIG. 2

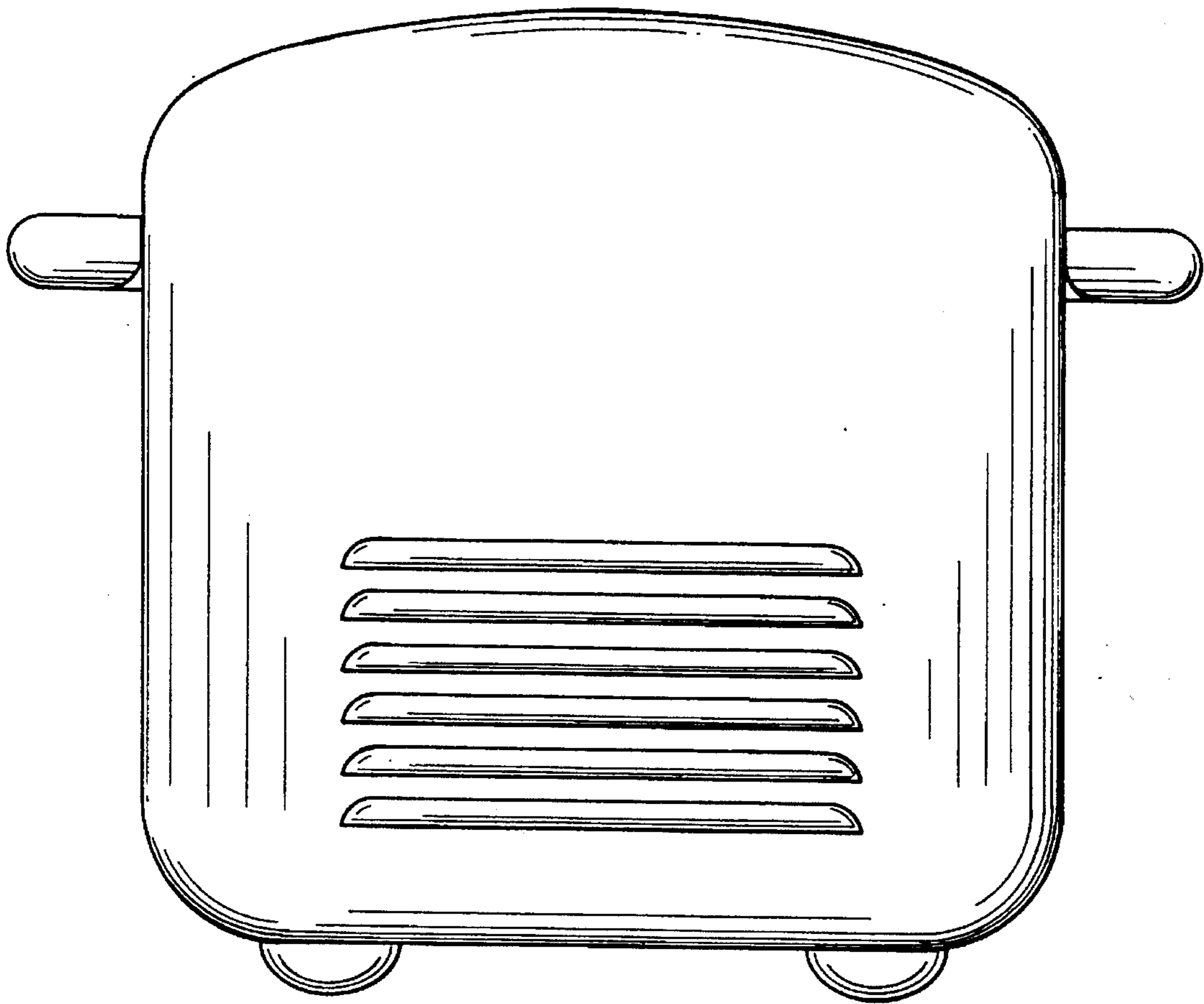


FIG. 3

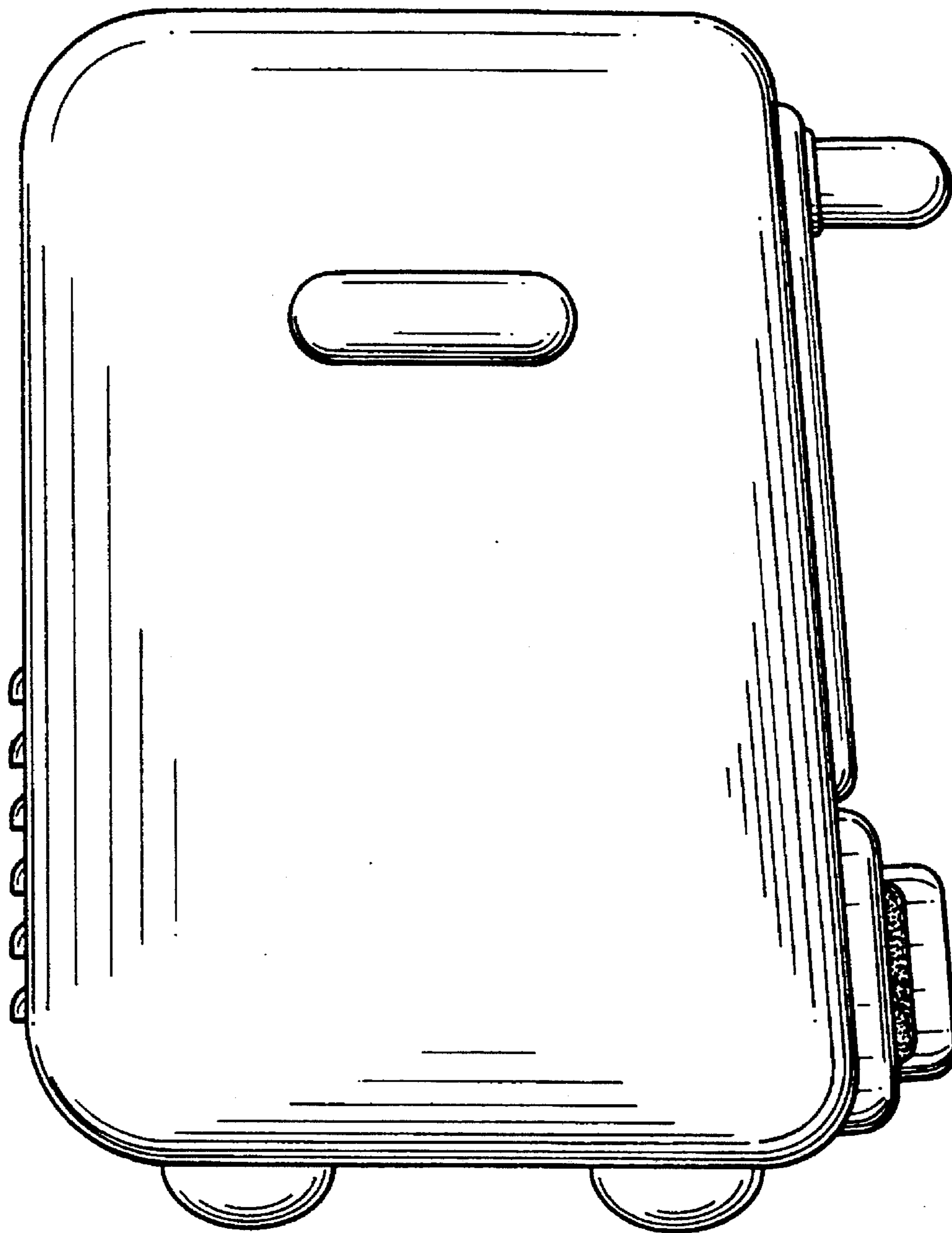


FIG. 4

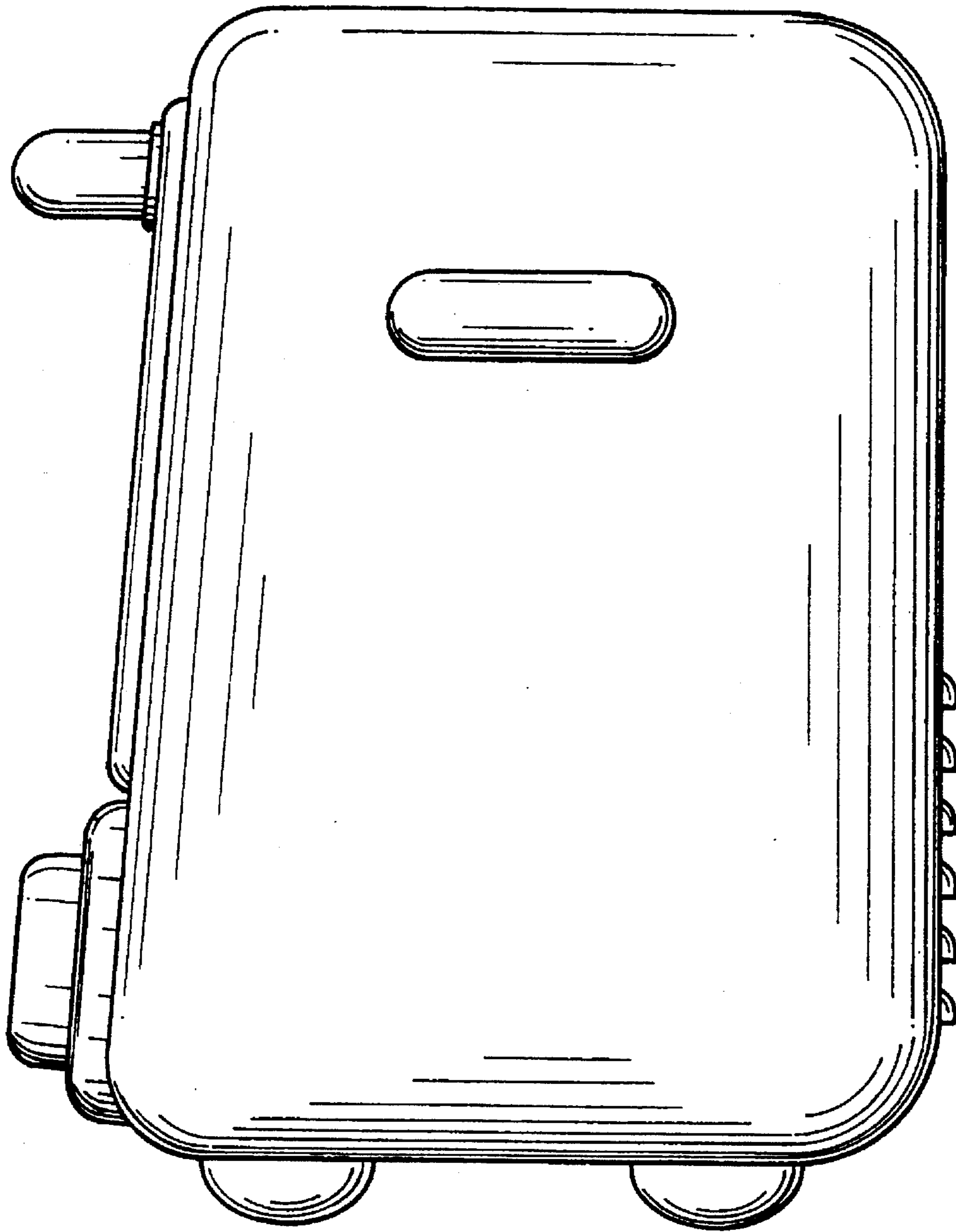


FIG. 5

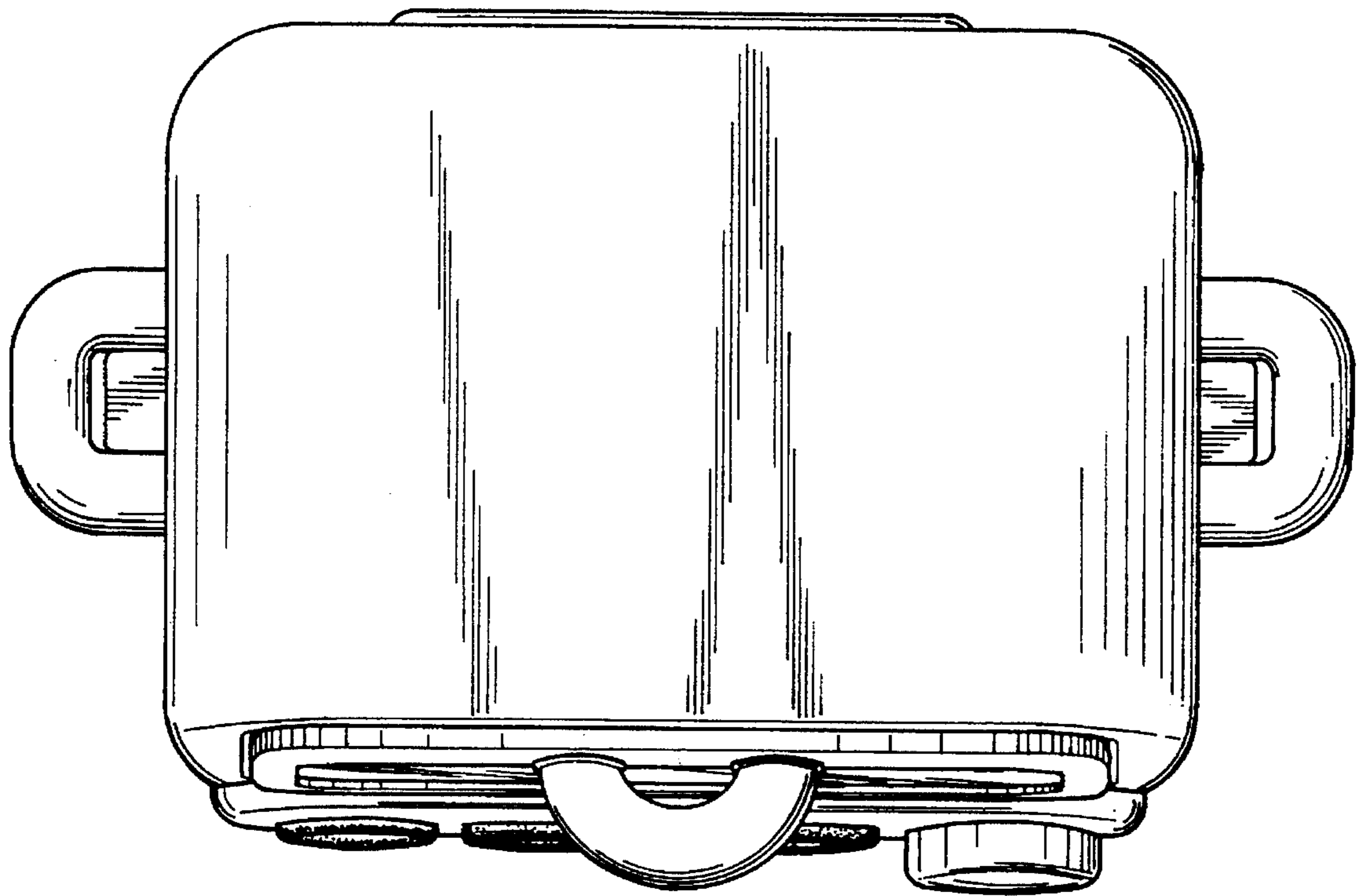


FIG. 6

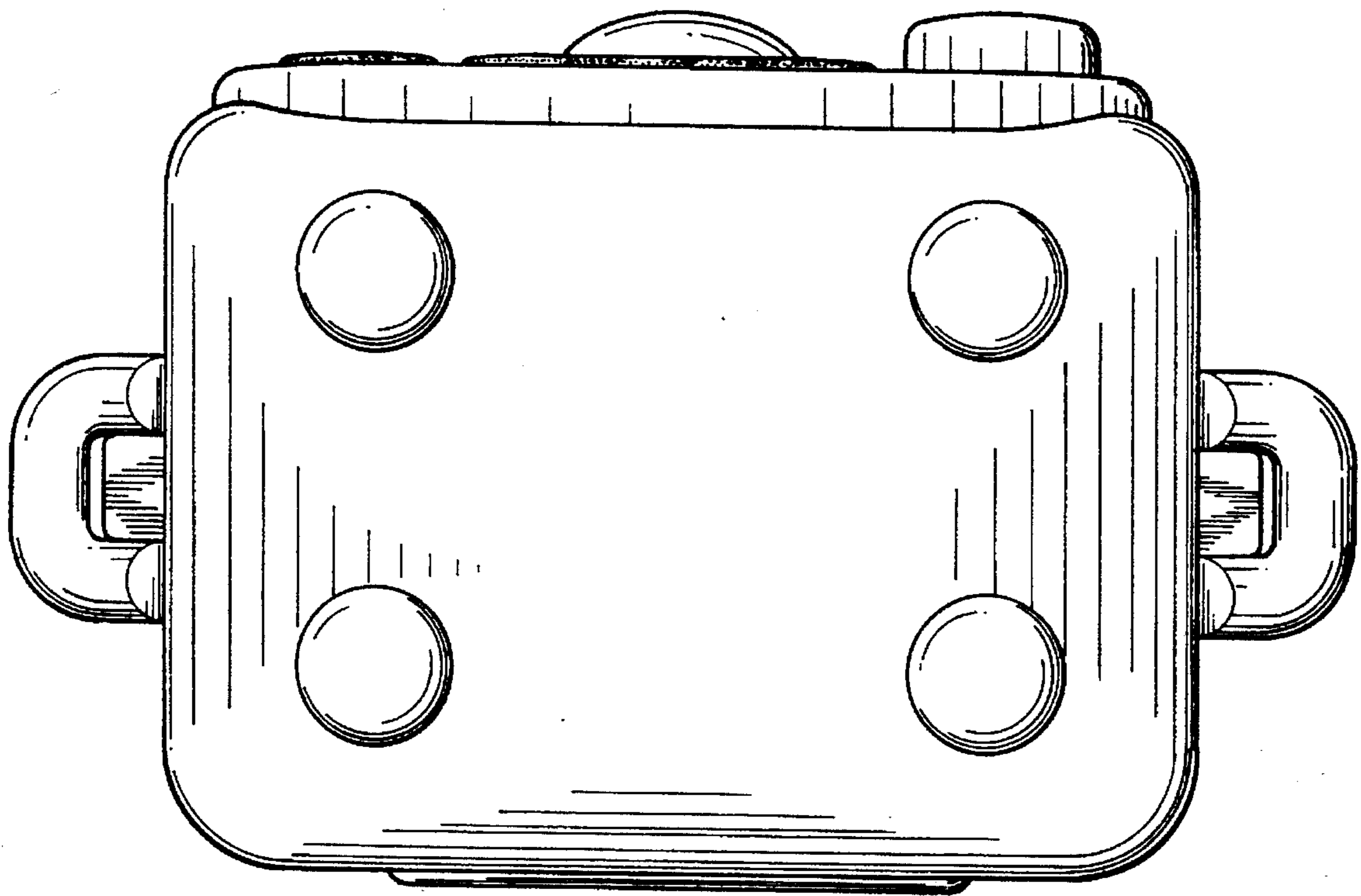


FIG. 7