



US00D372056S

United States Patent [19] Norton

[11] Patent Number: **Des. 372,056**

[45] Date of Patent: ****Jul. 23, 1996**

[54] **TOY CASTLE**

[75] Inventor: **John J. Norton**, Stow, Ohio

[73] Assignee: **The Little Tikes Company**, Hudson, Ohio

[**] Term: **14 Years**

[21] Appl. No.: **34,524**

[22] Filed: **Feb. 7, 1995**

[52] U.S. Cl. **D21/114; D21/119**

[58] Field of Search **D21/114, 119, D21/108, 121, 122, 242-243; D25/16; 446/70, 110, 476, 478, 479, 481, 482, 488**

[56] References Cited

U.S. PATENT DOCUMENTS

D. 169,888	6/1953	Beyer	446/476
D. 241,871	10/1976	Reiling	D21/114
D. 247,385	2/1978	Rideau	D21/119
D. 262,902	2/1982	Duarte	D21/114
D. 276,634	12/1984	Pope	D21/114
D. 311,432	10/1990	Cattoni	D21/252
D. 333,328	2/1993	Aker et al.	D21/114
D. 340,100	10/1993	Gleeson	D21/243
D. 342,697	12/1993	Delson	D21/114
D. 346,420	4/1994	Cacciola et al.	D21/242
4,419,840	12/1983	Pope	446/110

OTHER PUBLICATIONS

- P. 531, Toy castle; Sears Wish Book, Chicago, Illinois. Publication date 1992.
- P. 27, Toy castle; Toys to Grow On, P.O. Box 17, Long Beach, California 90801. Publication date Holiday, 1985.
- P. 40, Toy castle; Fisher-Price, 620 Girard Avenue, East Aurora, New York 14052. Publication date 1994.
- Pp. 25 and 26, Toy castles; Big Spielwarenfabrik Dipl.-Ing. Ernst A. Bettag, Postfach 280, 8510 Furth/Bayern 18, Germany. Published at least as early as Jan., 1995.

P. 14, Toy castle; Playmobile, Germany. Publication date 1991.

P. 20, Toy castles; Interlogo, Lego Group, Denmark. Publication date 1993.

P. 15, Toy castle; The Little Tikes Company, 2180 Barlow Road, Hudson, Ohio 44236. Publication date 1994.

Primary Examiner—Terry A. Wallace

Assistant Examiner—R. Barkai

Attorney, Agent, or Firm—Richard B. O'Planick; Lisa B. Riedesel

[57] CLAIM

The ornamental design for a toy castle, as shown and described.

DESCRIPTION

FIG. 1 is a top right front perspective view of a toy castle showing my new design;

FIG. 2 is a front elevational view thereof;

FIG. 3 is a rear elevational view thereof;

FIG. 4 is a right side elevational view thereof;

FIG. 5 is a left side elevational view thereof;

FIG. 6 is a top plan view thereof;

FIG. 7 is a bottom plan view thereof;

FIG. 8 is a top right front perspective view of an alternate embodiment of a toy castle showing my new design;

FIG. 9 is a front elevational view of an alternate embodiment;

FIG. 10 is a rear elevational view of an alternate embodiment;

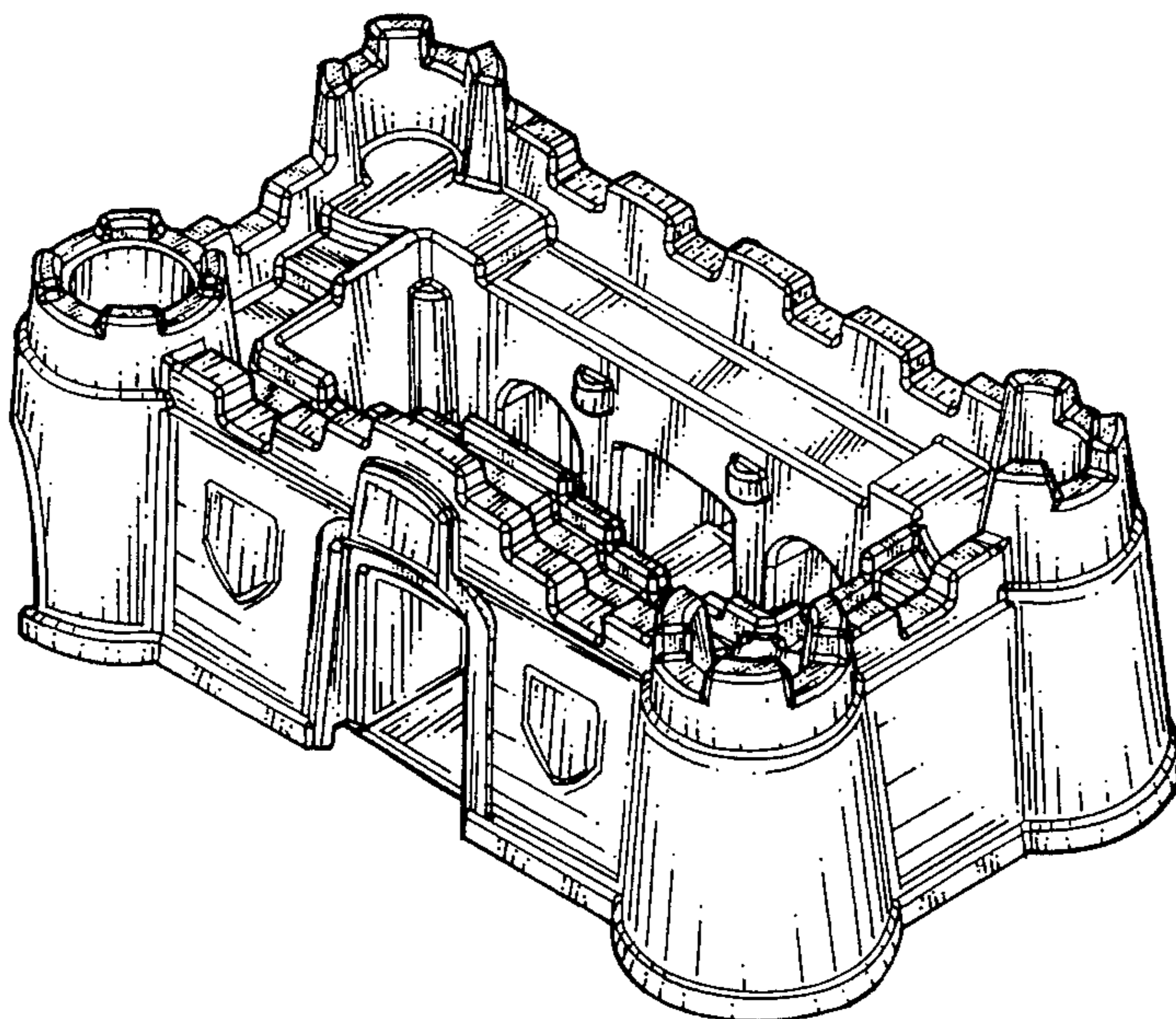
FIG. 11 is a right side elevational view of an alternate embodiment;

FIG. 12 is a left side elevational view of an alternate embodiment;

FIG. 13 is a top plan view of the alternate embodiment; and,

FIG. 14 is a bottom plan view of the alternate embodiment.

1 Claim, 13 Drawing Sheets



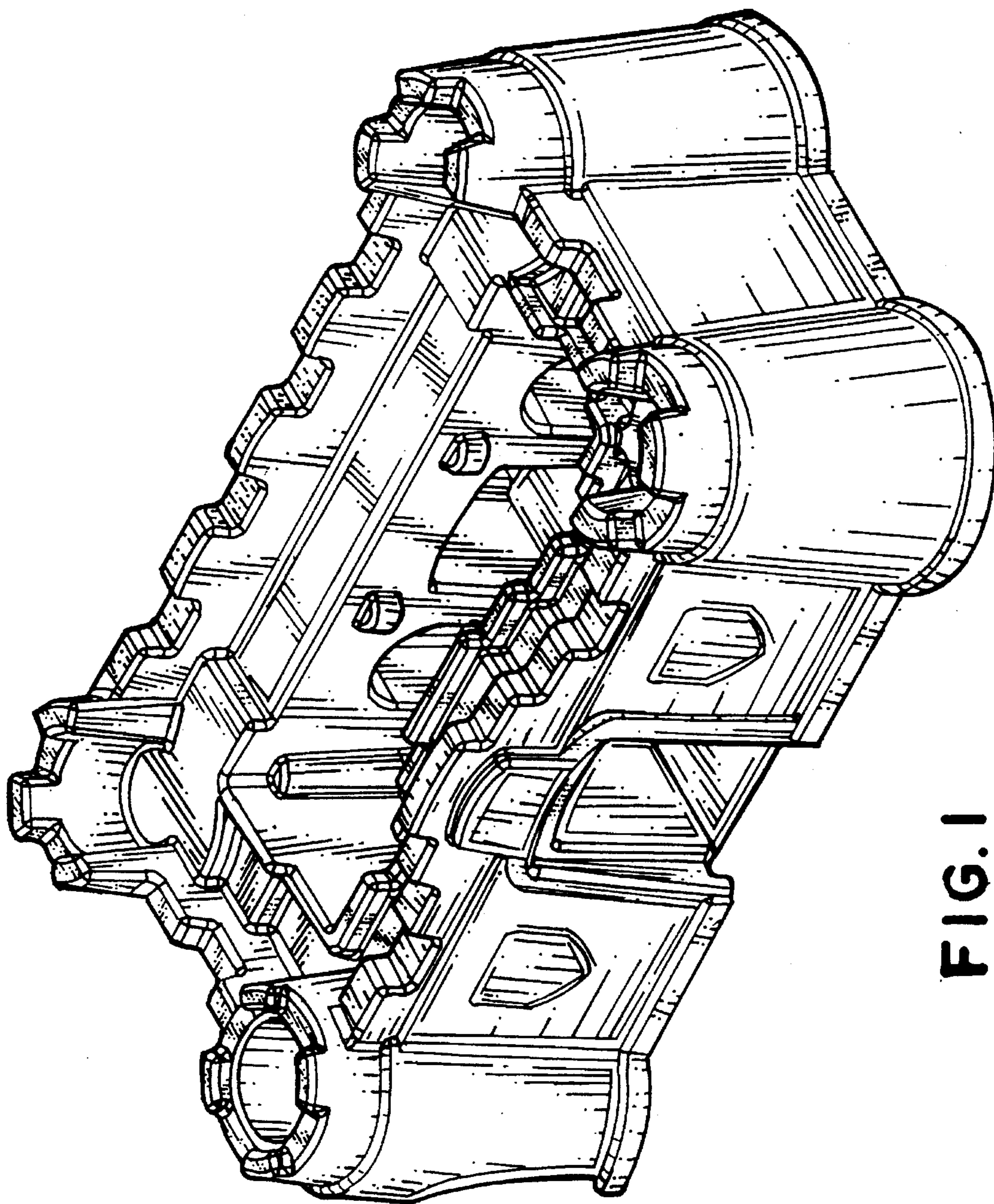


FIG. 1

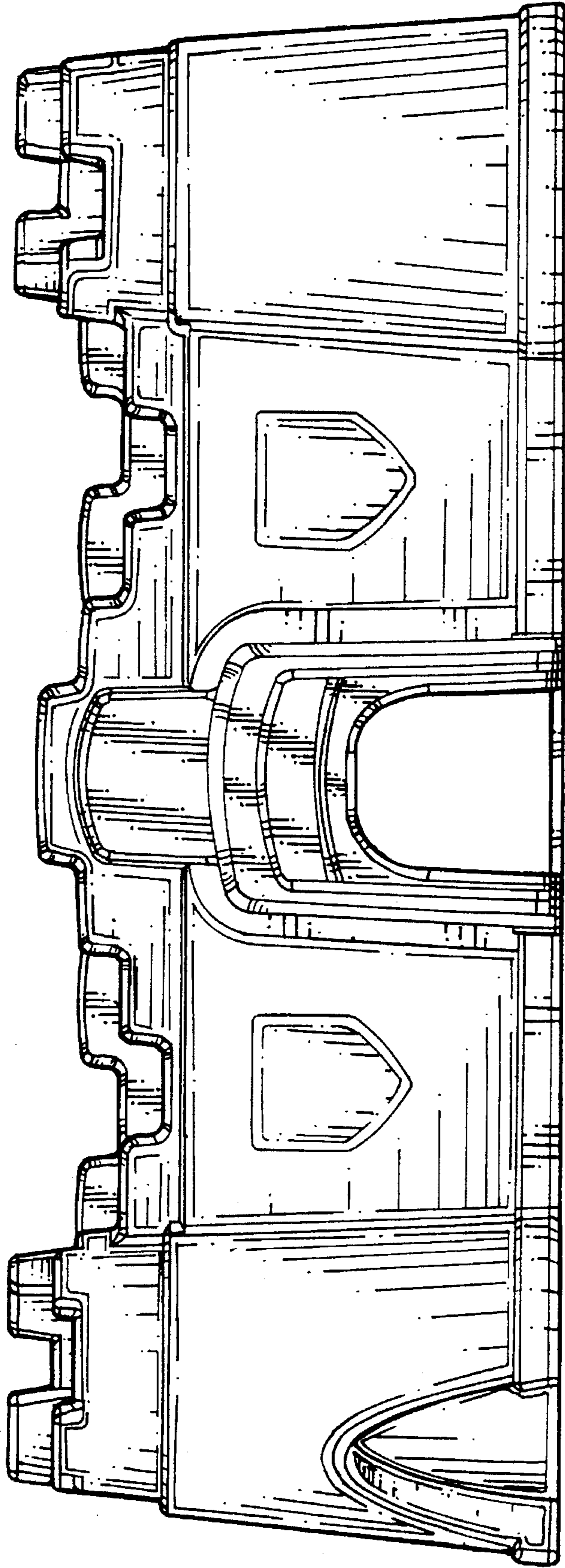


FIG.2

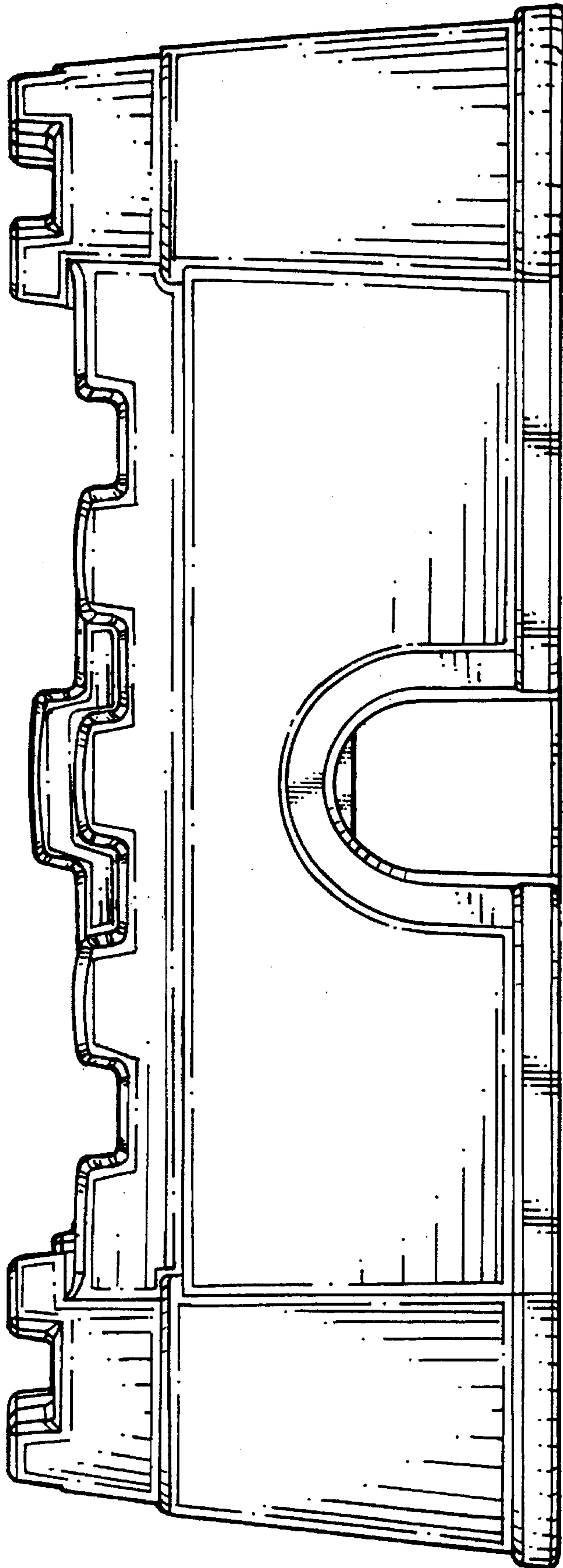


FIG. 3

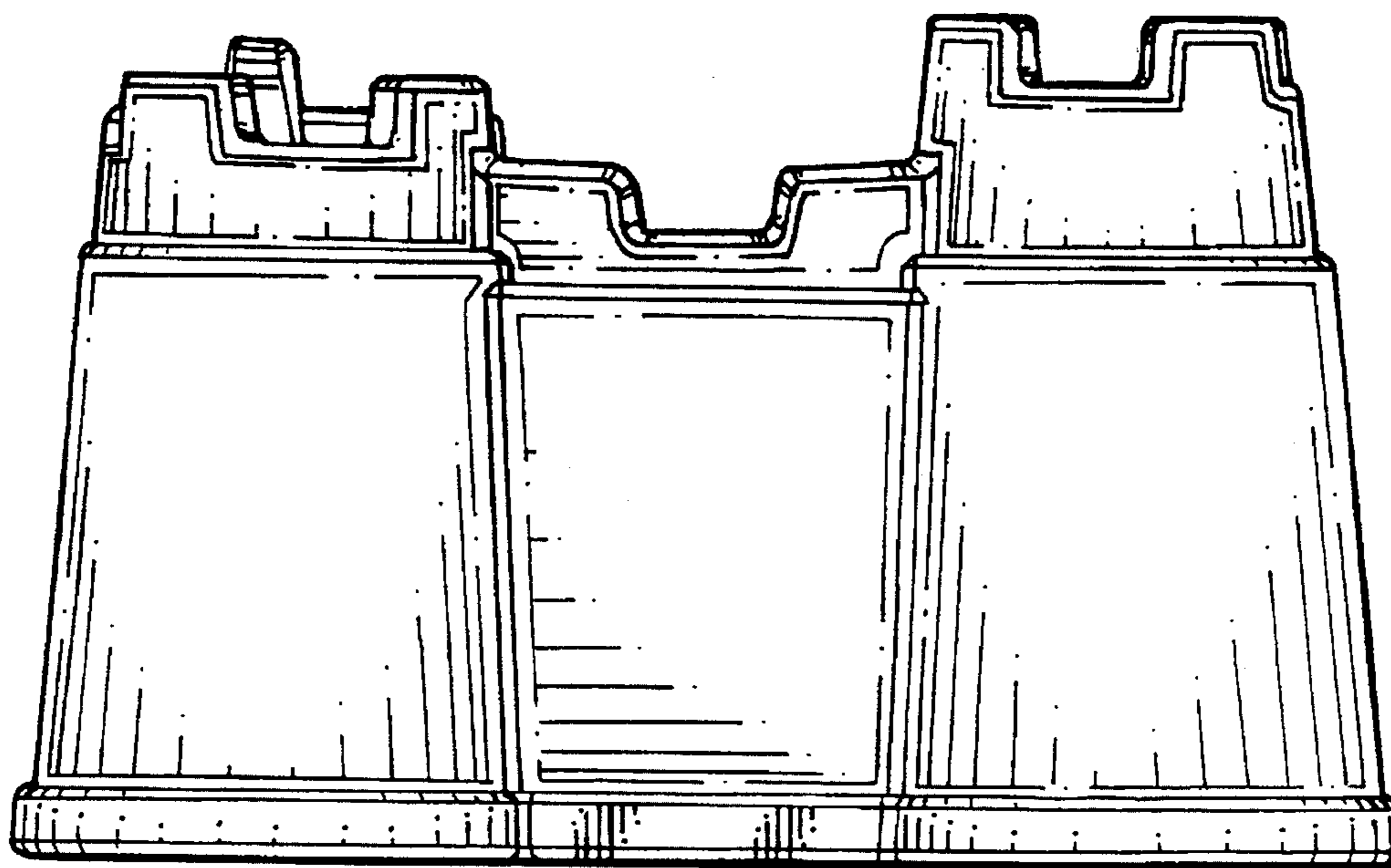


FIG. 4

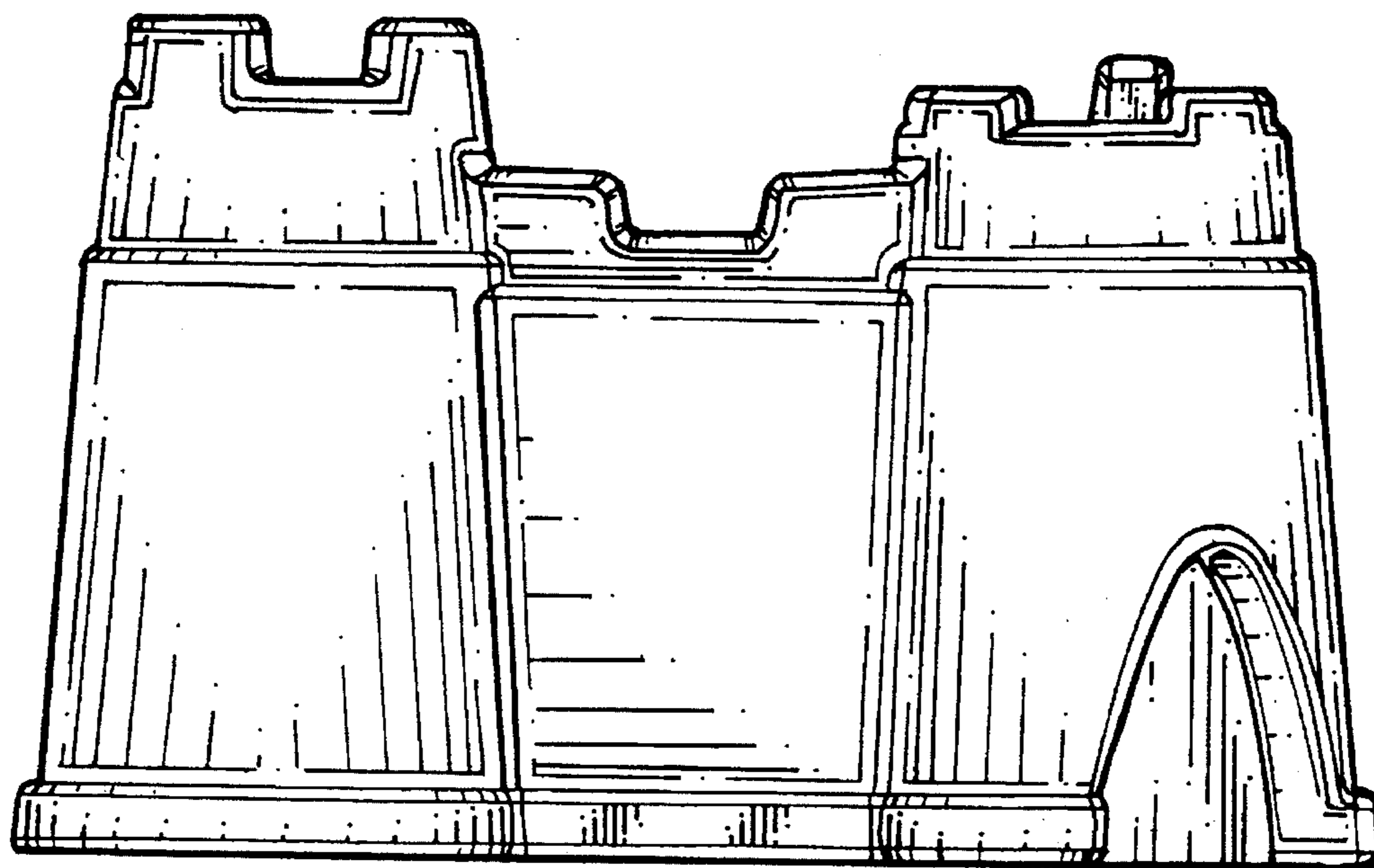


FIG. 5

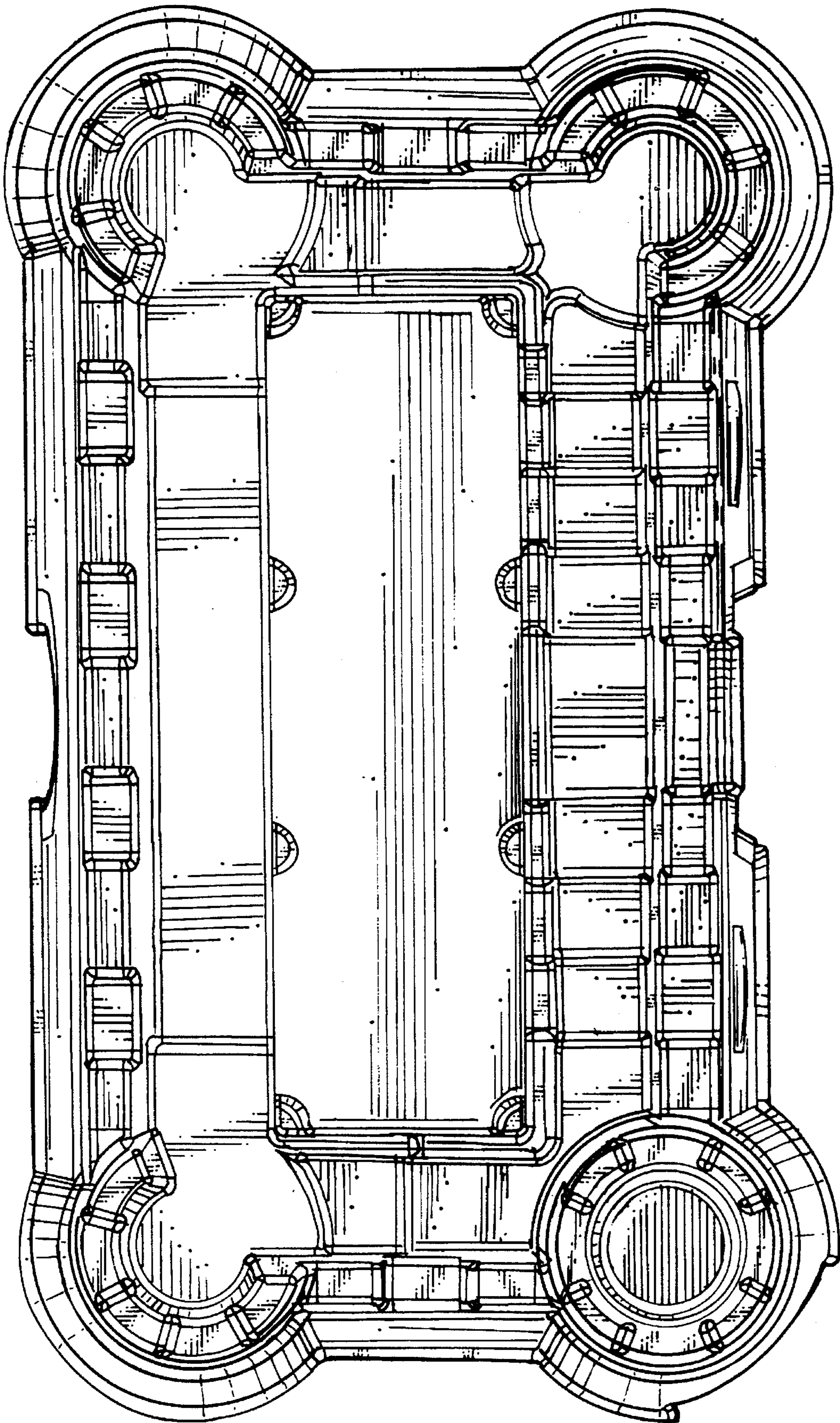


FIG. 6

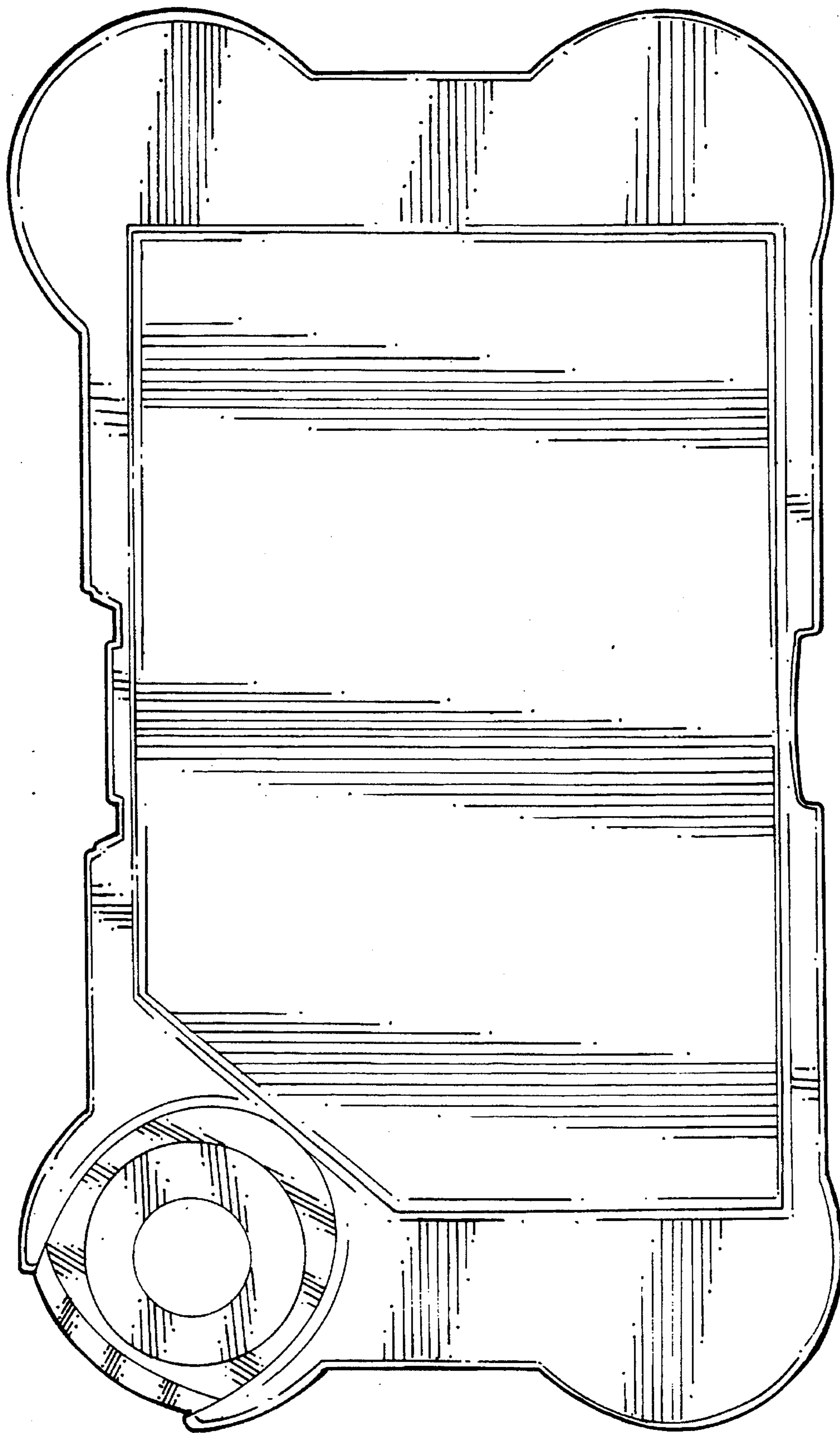


FIG. 7

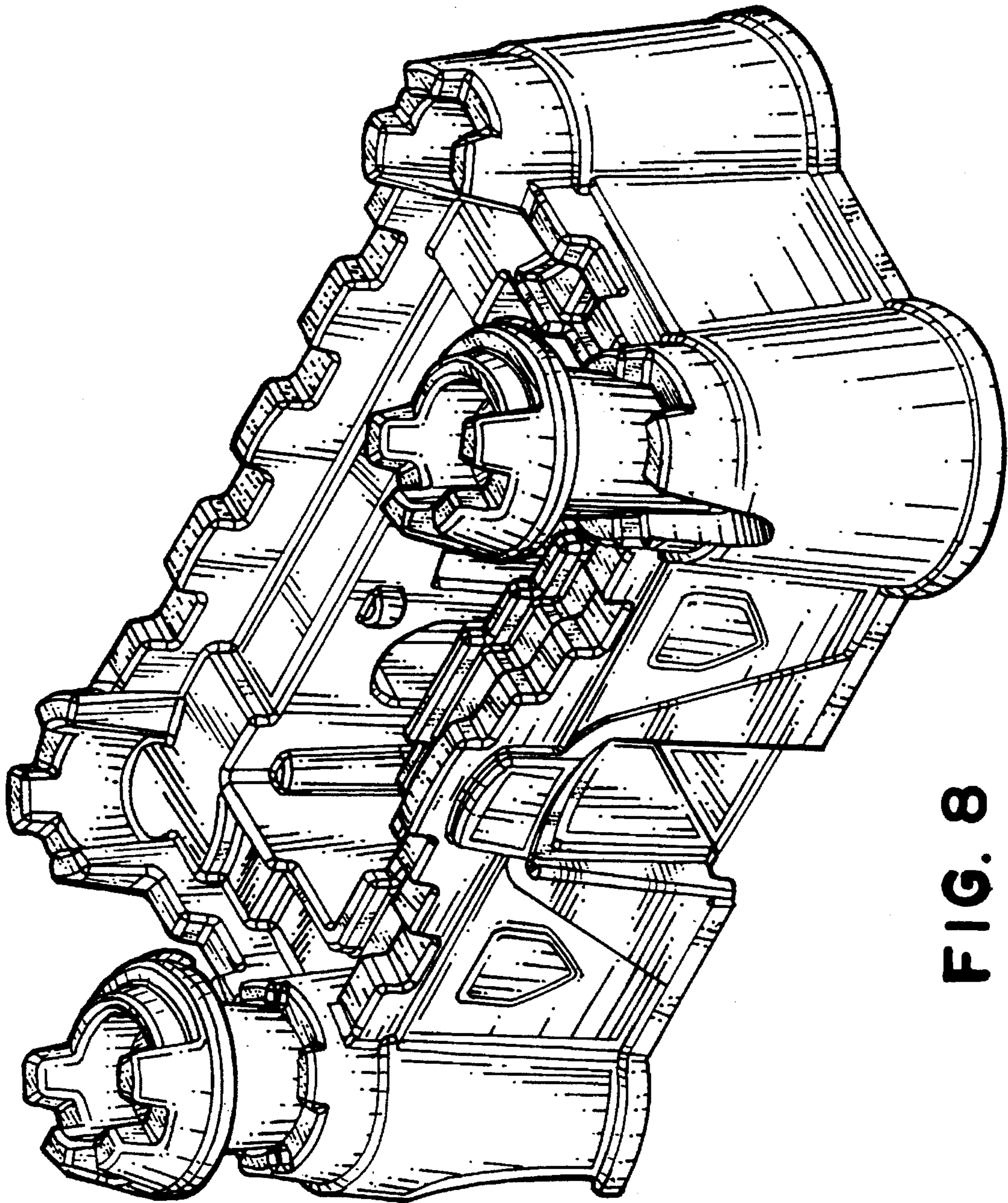


FIG. 8

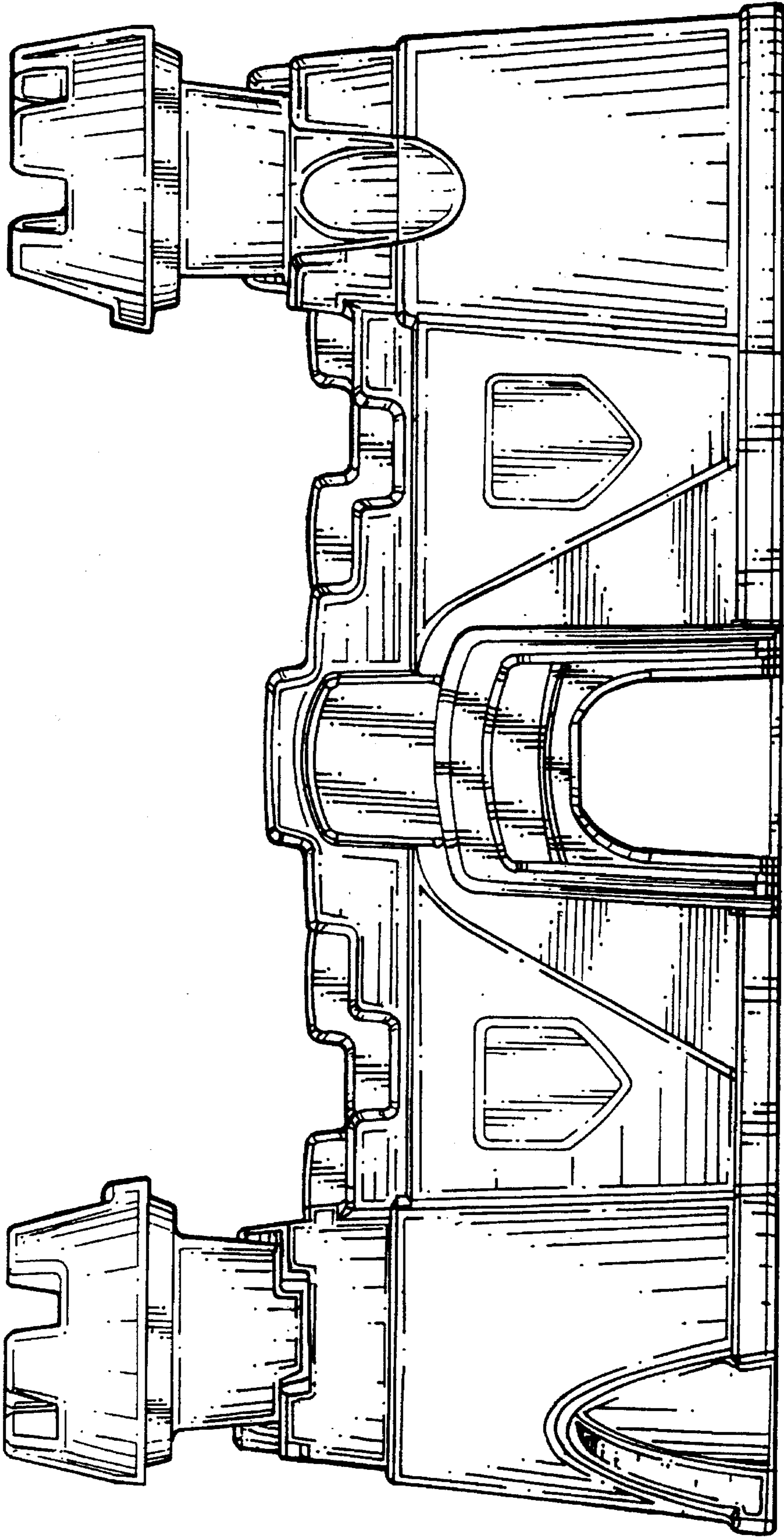


FIG. 9

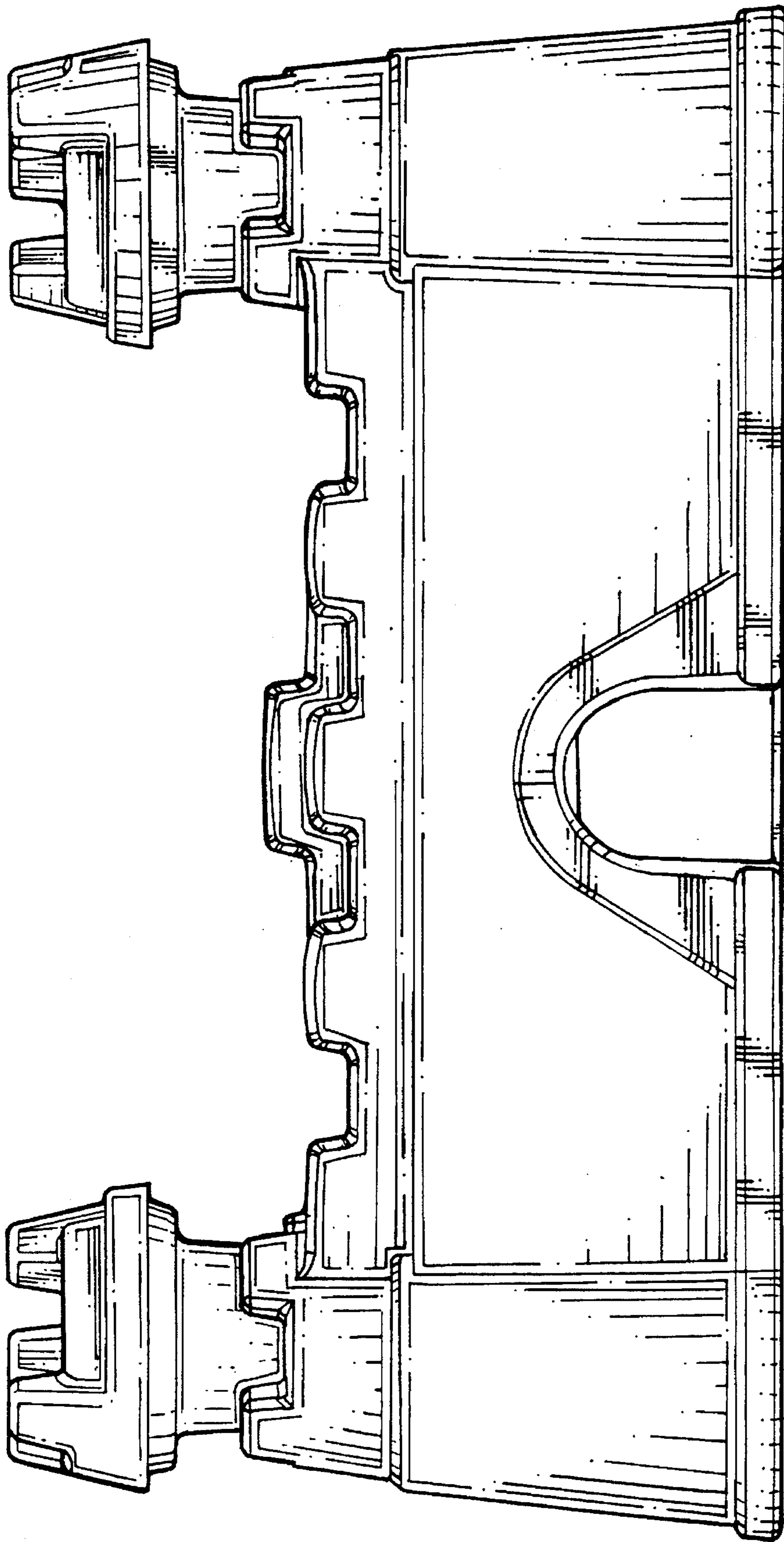


FIG. 10

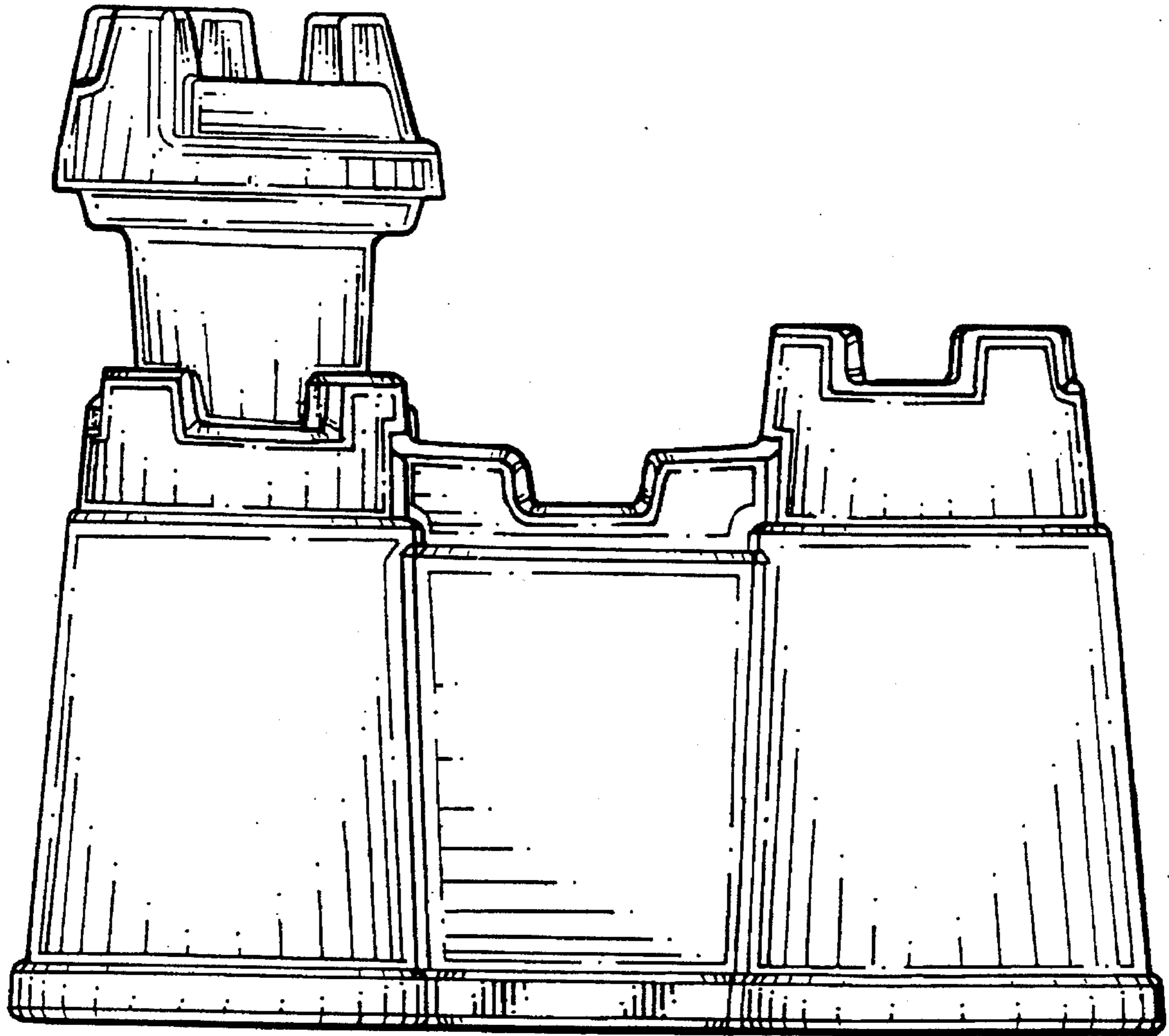


FIG. II

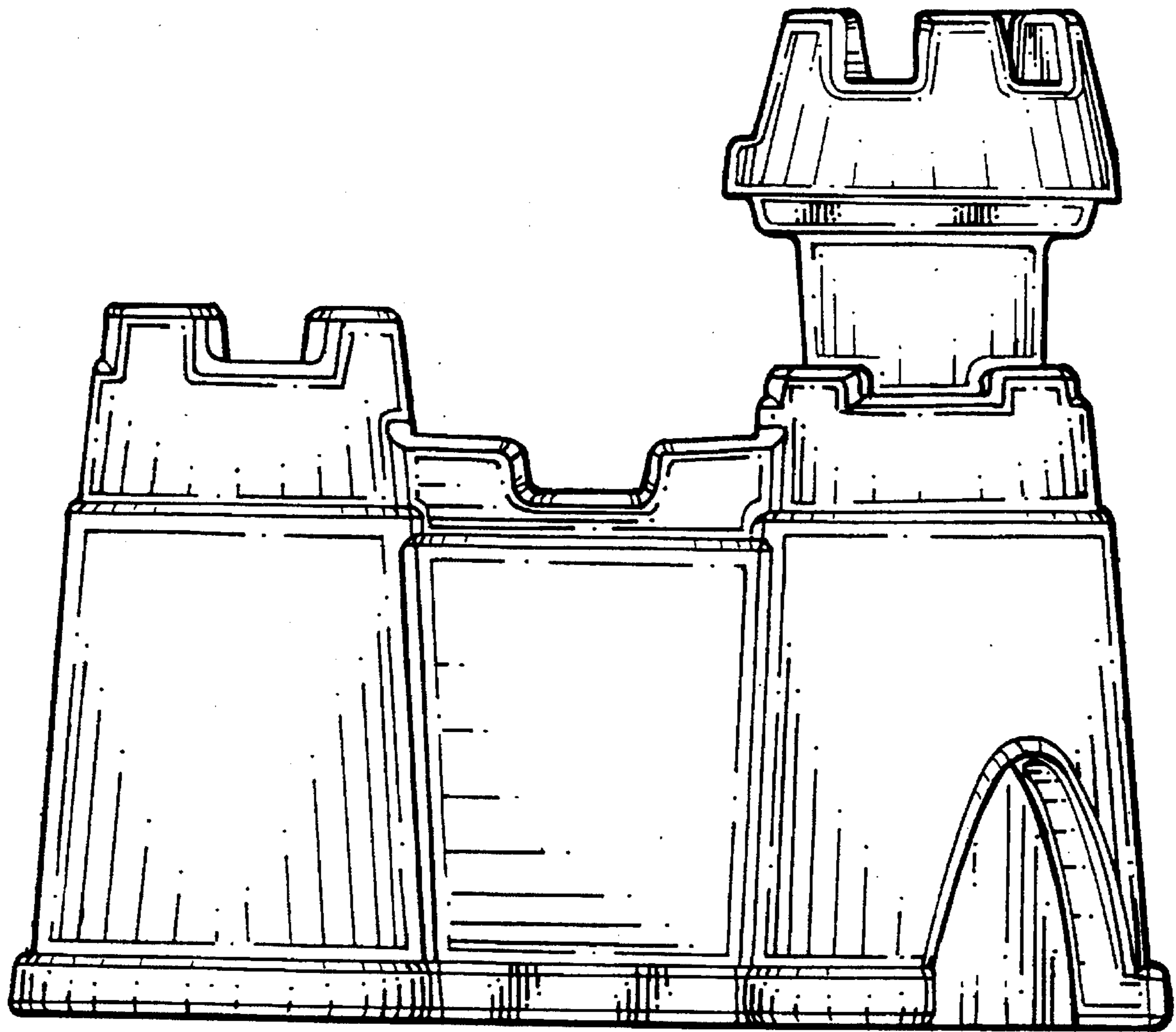


FIG. 12

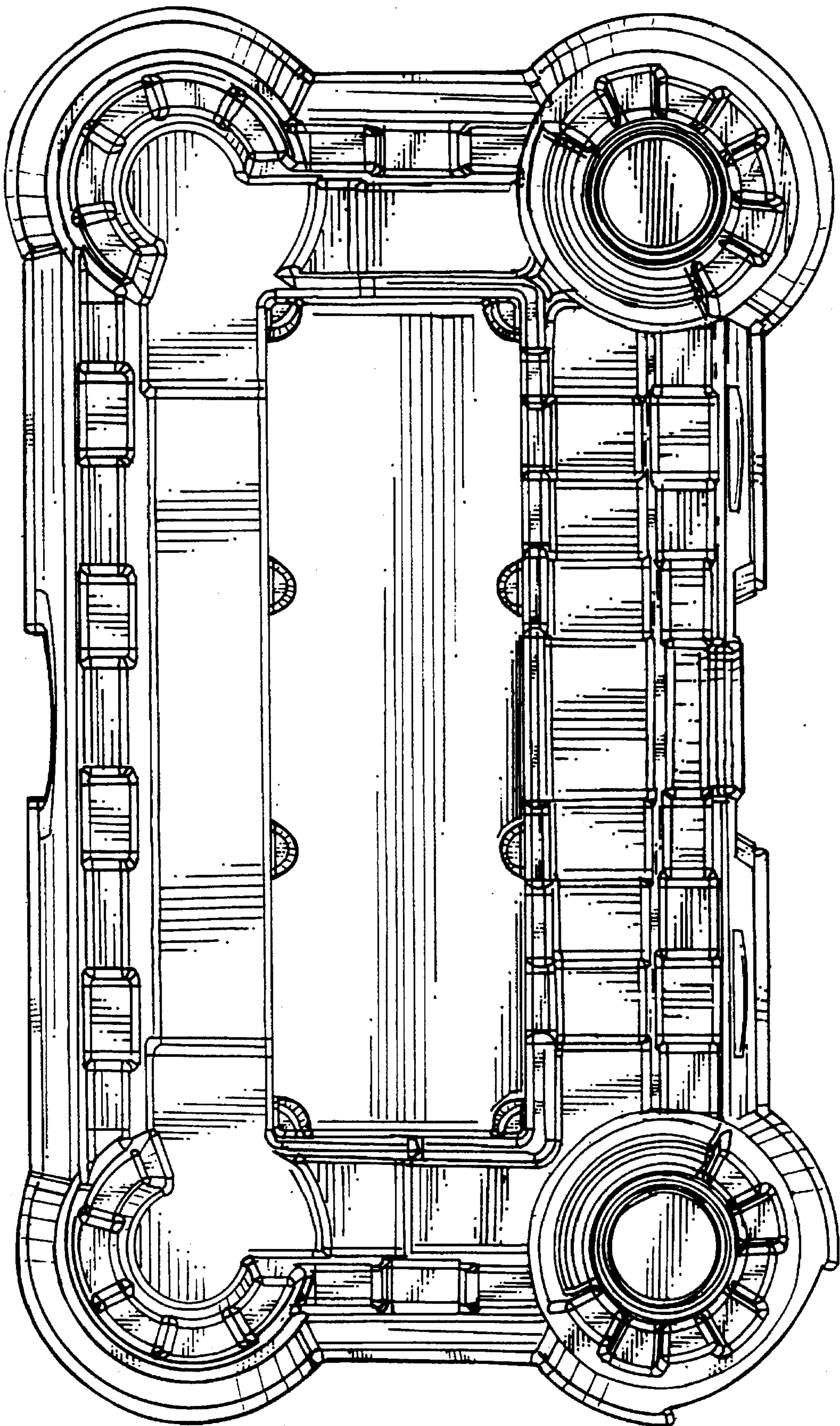


FIG. 13

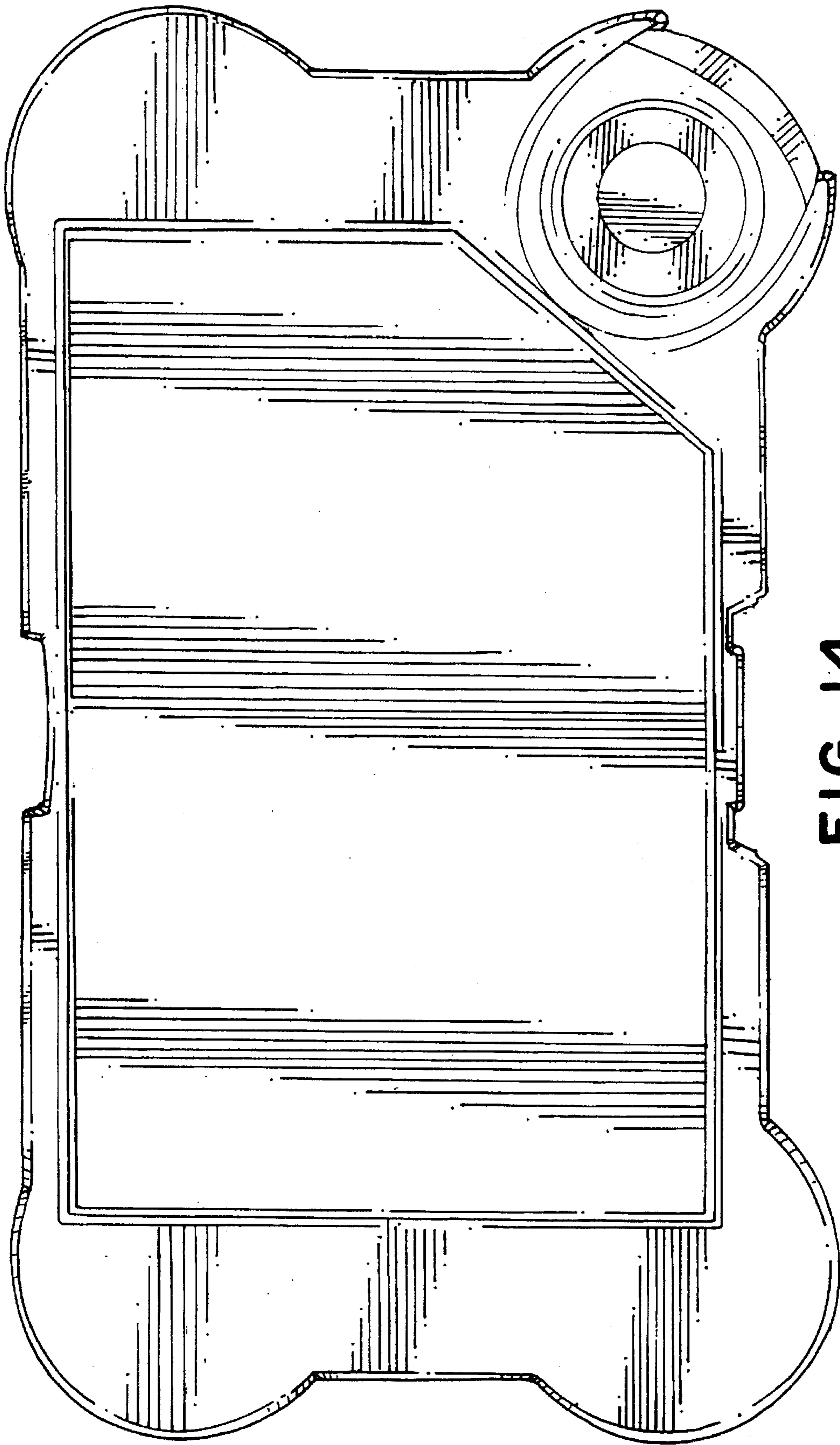


FIG. 14