



US00D372055S

United States Patent [19]

Hrsel

[11] Patent Number: **Des. 372,055**

[45] Date of Patent: ****Jul. 23, 1996**

[54] **TOY CONSTRUCTION ELEMENT**

4,775,350 10/1988 Short et al. 446/126

[76] Inventor: **Karel Hrsel**, Nedvedovo nam. 5, 147
00 Praha 4, Czechoslovakia

FOREIGN PATENT DOCUMENTS

[**] Term: **14 Years**

0269099 11/1986 European Pat. Off. .
2720641 11/1977 Germany .

[21] Appl. No.: **32,115**

Primary Examiner—Terry A. Wallace
Assistant Examiner—R. Barkai
Attorney, Agent, or Firm—Watson Cole Stevens Davis

[22] Filed: **Dec. 5, 1994**

[30] **Foreign Application Priority Data**

[57] **CLAIM**

Jul. 29, 1994 [CS] Czechoslovakia 272626-94.J.

The ornamental design for a toy construction element, as shown and described.

[52] **U.S. Cl.** **D21/108**

DESCRIPTION

[58] **Field of Search** D21/108, 124,
D21/125; 446/106, 107, 118, 126, 127,
120, 121, 85

FIG. 1 is a perspective view of a toy construction element showing my new design;

[56] **References Cited**

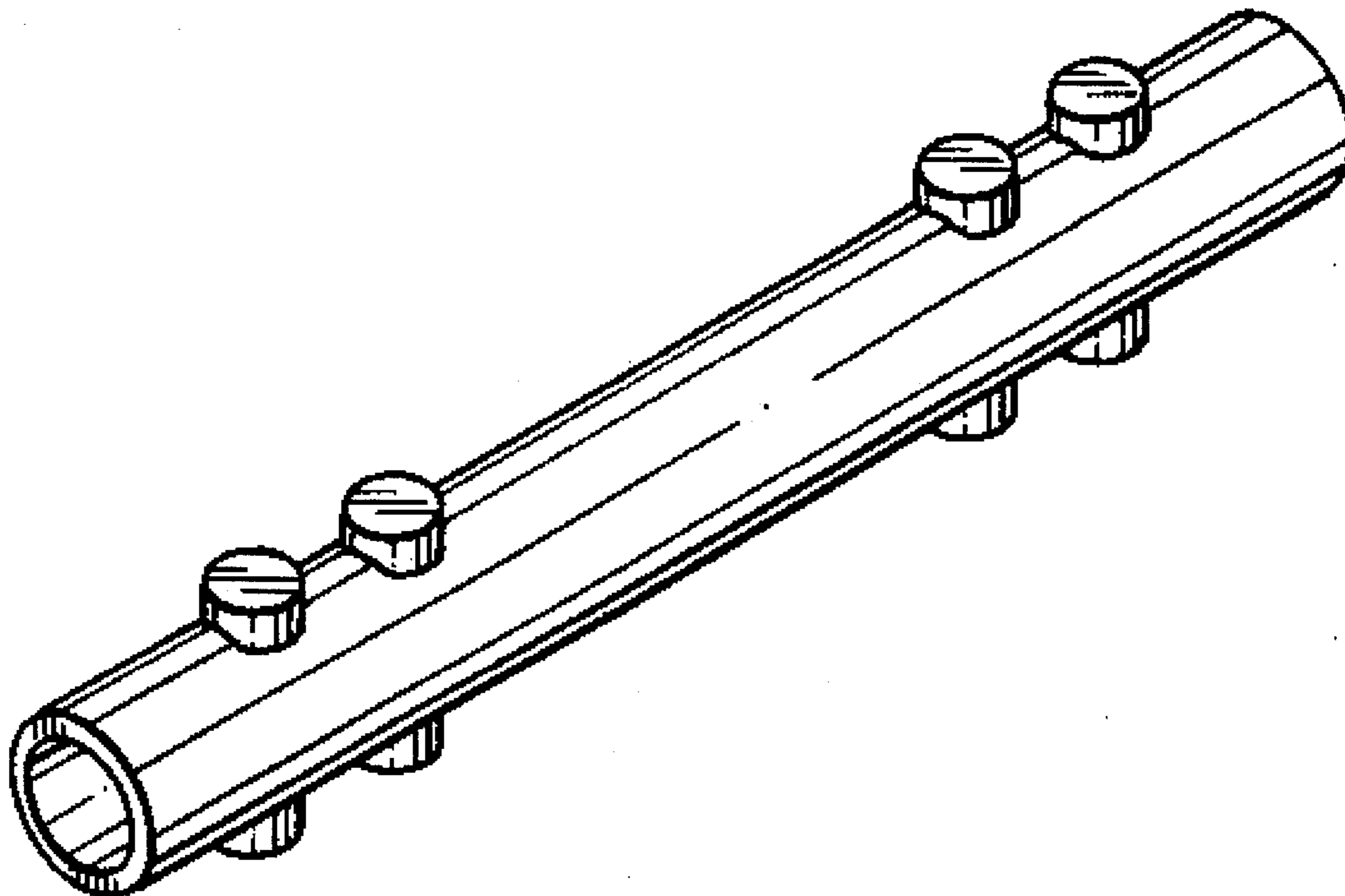
U.S. PATENT DOCUMENTS

D. 341,169	11/1993	Denton	D21/108
2,625,769	1/1953	Hubbard	446/126
2,810,233	10/1957	Jakobsen	446/126
3,432,960	3/1969	Bombaci	446/126
3,469,339	9/1969	Thomas	446/126
3,648,404	3/1972	Obsbury et al.	446/126
4,274,222	6/1981	Zahn et al.	446/126
4,740,189	4/1988	Bertrand	446/128

FIG. 2 is a longitudinal sectional elevational view thereof; FIG. 3 is a top plan view thereof, the bottom plan view being identical;

FIG. 4 is a longitudinal sectional elevational view of a modified embodiment of the design shown in FIGS. 1-3; FIG. 5 is a top plan view of the embodiment shown in FIG. 4; the bottom plan view is identical; and, FIG. 6 is an end elevational view of either embodiment thereof, the opposite end being identical.

1 Claim, 1 Drawing Sheet



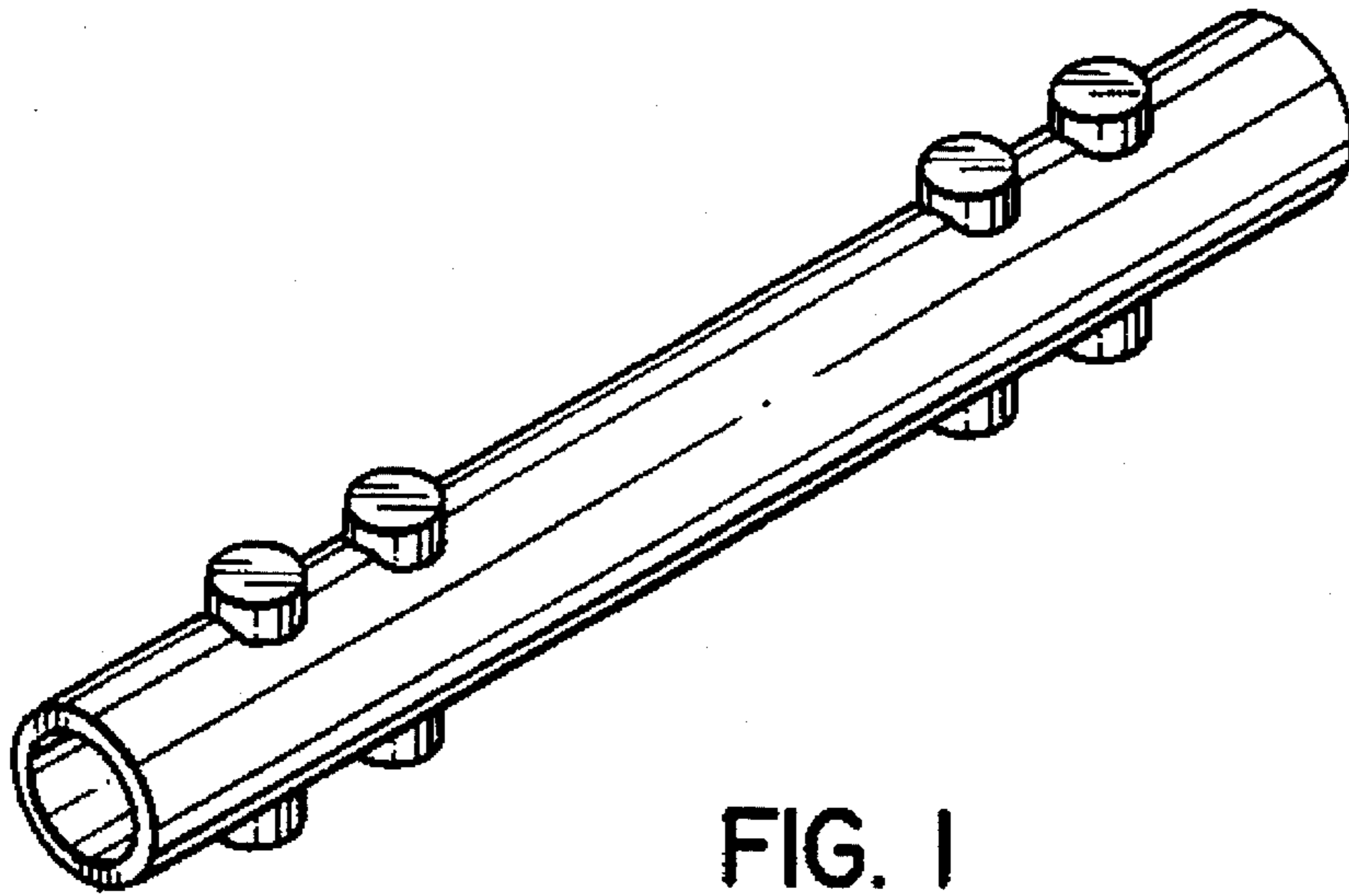


FIG. 1

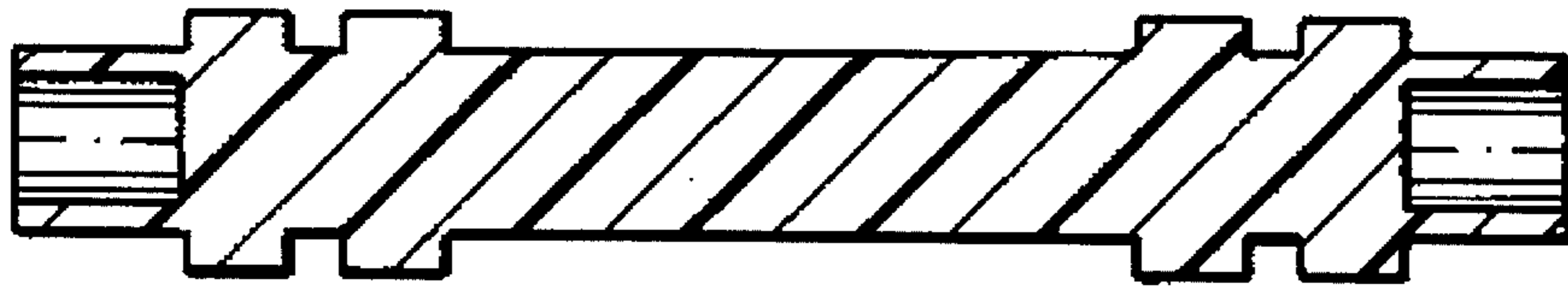


FIG. 2

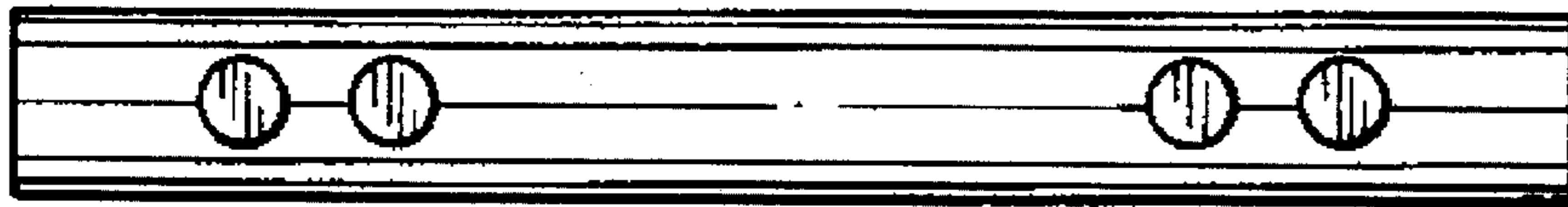


FIG. 3

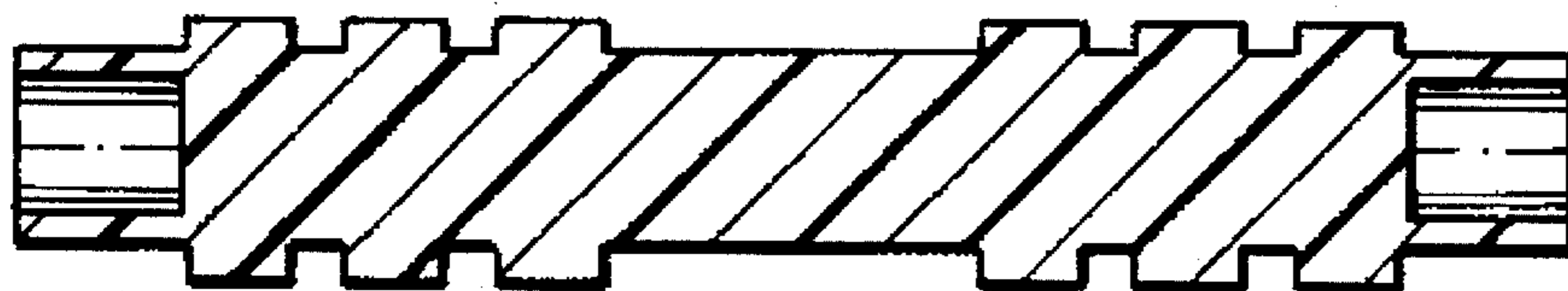


FIG. 4



FIG. 6

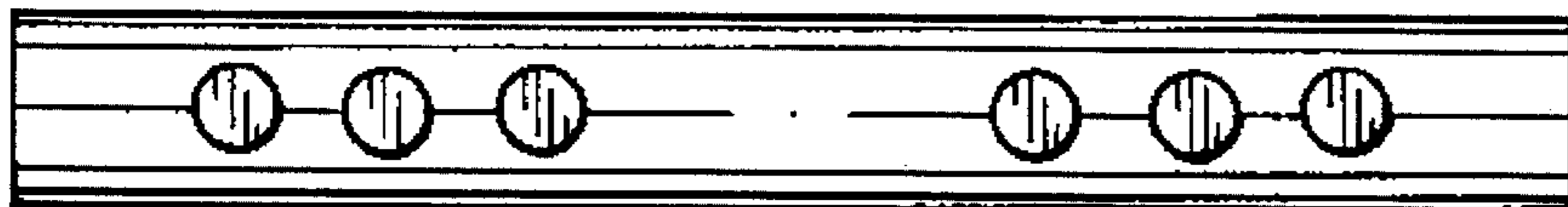


FIG. 5

UNITED STATES PATENT AND TRADEMARK OFFICE
CERTIFICATE OF CORRECTION

PATENT NO. : DES 372,055

DATED : July 23, 1996

INVENTOR(S) : Karel Hrsel

It is certified that error appears in the above-identified patent and that said Letters Patent is hereby corrected as shown below:

On the title page, item
[76] change "Czechoslovakia" to --Czech Republic--.

On the title page, item
[30] change "Czechoslovakia" to --Czech Republic--.

Signed and Sealed this
Twentieth Day of May, 1997

Attest:



BRUCE LEHMAN

Attesting Officer

Commissioner of Patents and Trademarks