



US00D372051S

United States Patent [19]

Cullen et al.

[11] Patent Number: Des. 372,051

[45] Date of Patent: **Jul. 23, 1996

[54] DART GAME BOARD

[76] Inventors: Joseph Cullen; Paul Cullen, both of Site 6, Box 17, Torbay, Newfoundland, Canada, A0A 3Z0

[**] Term: 14 Years

[21] Appl. No.: 32,449

[22] Filed: Dec. 19, 1994

[52] U.S. Cl. D21/6; D21/33

[58] Field of Search D21/6, 14-36; 273/181 R, 348, 407, 408, 236-285, 288, 161, 148 R

D. 301,493	6/1989	Livernoise et al.	D21/35
2,549,495	4/1951	Lightfoot et al.	273/161
3,235,260	2/1966	Glass et al.	D21/22
3,355,822	12/1967	Losey	273/161
5,306,007	4/1994	Scuteri	273/161

FOREIGN PATENT DOCUMENTS

2019228	10/1979	United Kingdom	273/253
---------	---------	----------------------	---------

Primary Examiner—Sandra L. Morris

Attorney, Agent, or Firm—Dickinson, Wright, Moon, Van Dusen & Freeman

[57] CLAIM

The ornamental design for a dart game board, as shown and described.

DESCRIPTION

FIG. 1 is a top plan view of a dart game board showing our new design;

FIG. 2 is a side elevation of the board of FIG. 1; and,

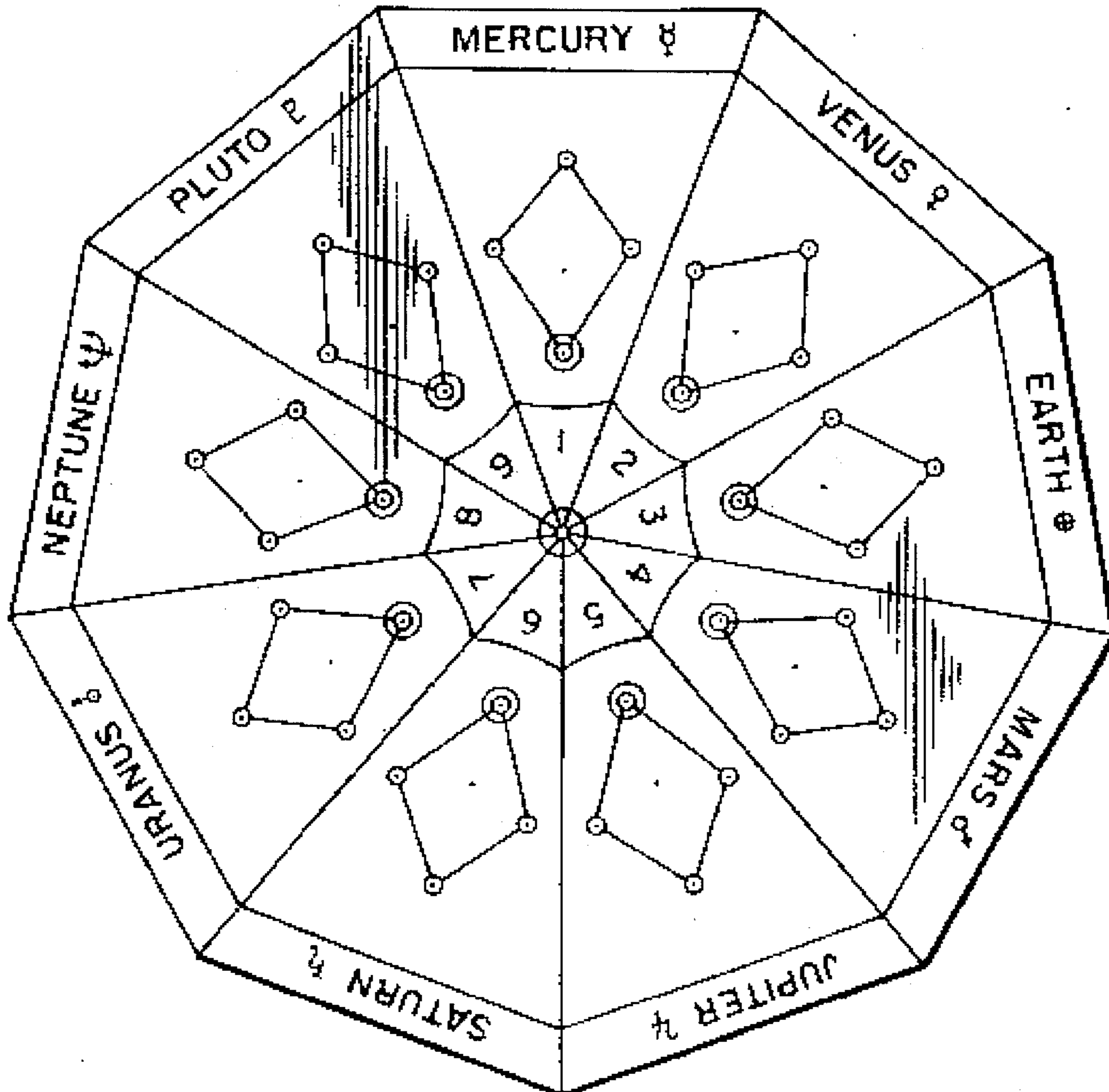
FIG. 3 is a top plan view of a second embodiment of our design.

1 Claim, 1 Drawing Sheet

[56] References Cited

U.S. PATENT DOCUMENTS

D. 104,790	6/1937	MacGuire	D21/22
D. 197,078	12/1963	McLeod	D21/30
D. 220,635	5/1971	Boyer et al.	D21/30
D. 242,972	1/1977	Day	273/161
D. 258,392	2/1981	Reebenacker	D21/20
D. 259,943	7/1981	Hansen	D21/35



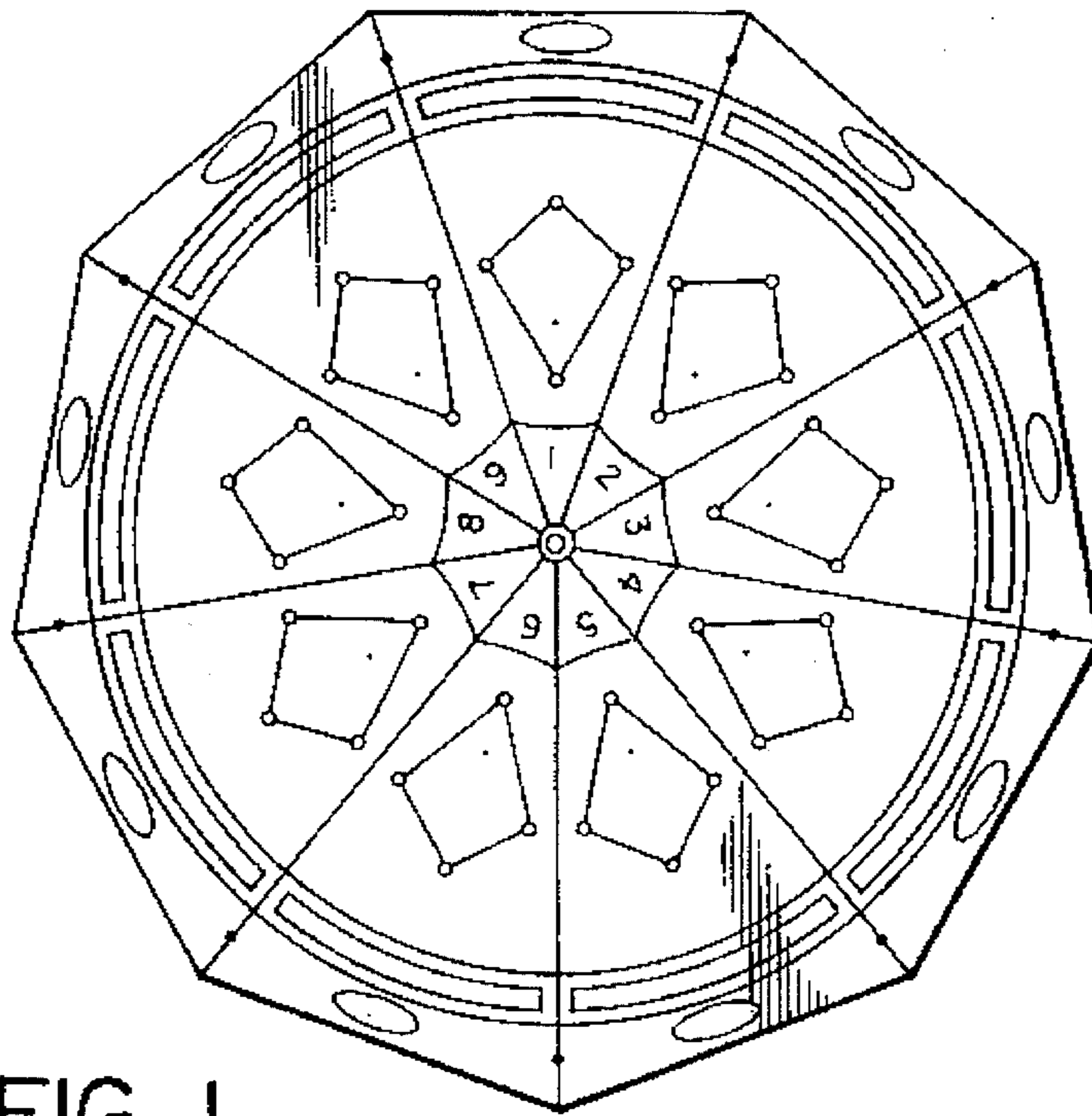


FIG. 1



FIG. 2

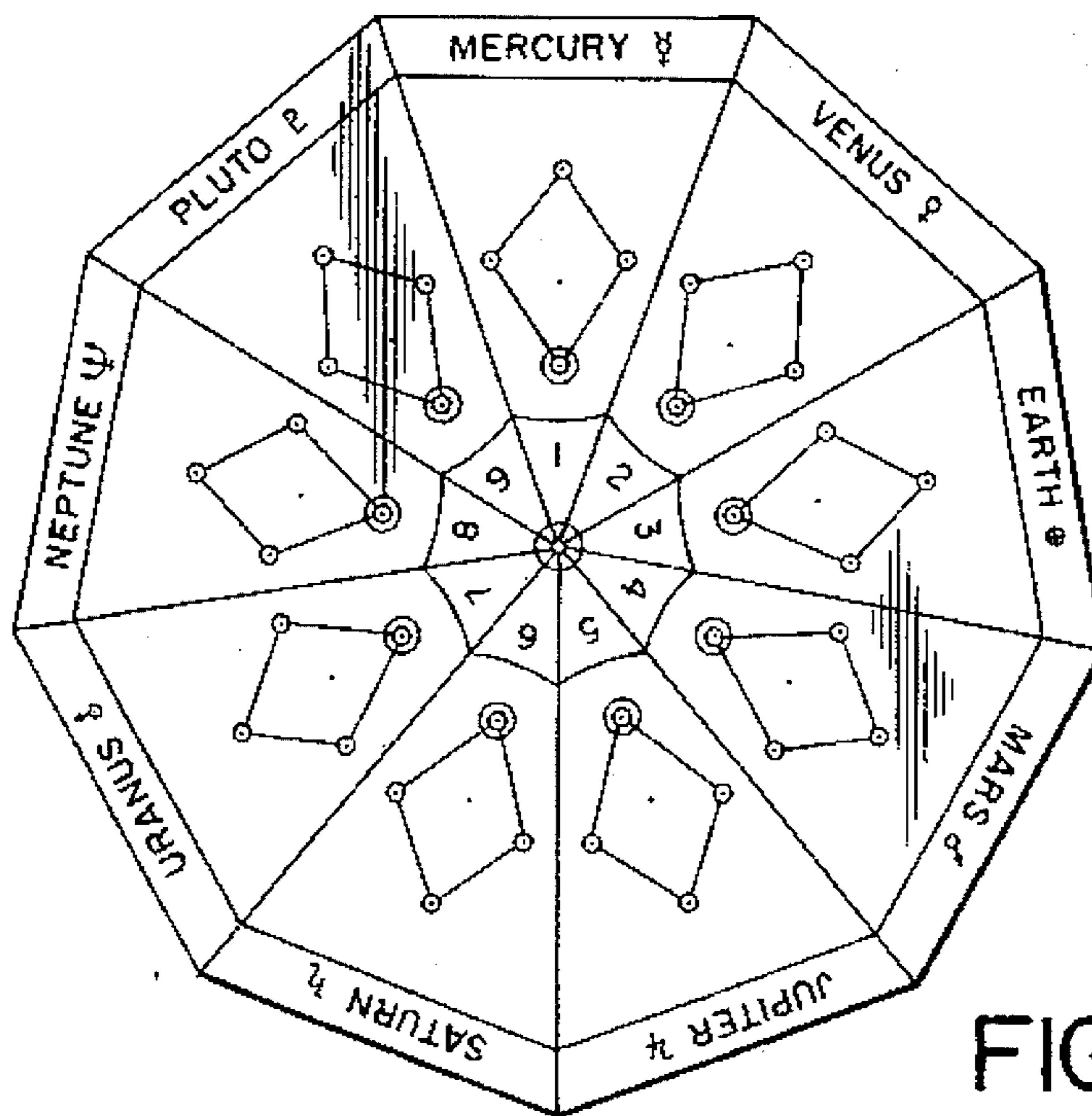


FIG. 3