



US00D372050S

United States Patent [19]

Ho

[11] Patent Number: **Des. 372,050**

[45] Date of Patent: ****Jul. 23, 1996**

[54] **MEMO DISPENSER MOUNT**

[75] Inventor: **Phily Ho**, Taipei, Taiwan

[73] Assignee: **Kudos Finder Trading Co., Ltd.**,
Taipei, Taiwan

[**] Term: **14 Years**

[21] Appl. No.: **24,248**

[22] Filed: **Jun. 10, 1994**

[52] U.S. Cl. **D19/89**; D6/518; D19/69

[58] Field of Search D6/515, 518; D19/65,
D19/67-69, 75, 78, 86, 89, 95, 99, 100;
225/7, 19, 24, 25, 34, 46, 56, 65, 77; 242/596.3,
596.7, 596.8, 422.5, 423.2; 221/33, 41,
43, 259

[56] **References Cited**

U.S. PATENT DOCUMENTS

- D. 273,644 5/1984 Colavito et al. D6/518
- D. 273,875 5/1984 Hill D19/69

- D. 308,891 6/1990 Harris D19/69
- D. 364,645 11/1995 Koch D19/89
- 3,516,615 6/1970 Wickenberg 242/596.3
- 4,324,345 4/1982 Martinez 221/41

Primary Examiner—Martie Thompson
Attorney, Agent, or Firm—Browdy and Neimark

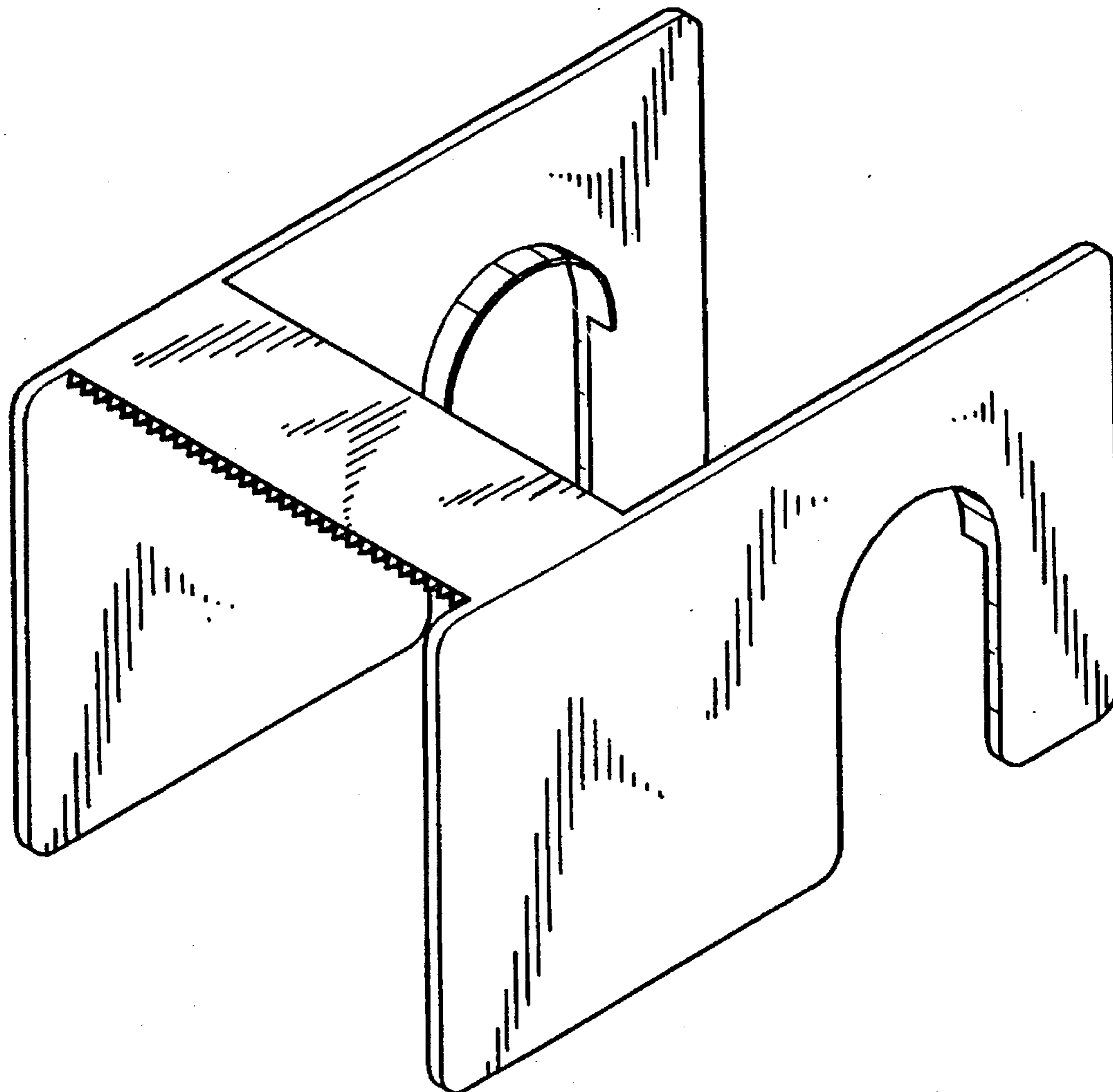
[57] **CLAIM**

The ornamental design for "memo dispenser mount," as shown and described.

DESCRIPTION

FIG. 1 is a right side elevational view of a memo dispenser mount showing my new design;
FIG. 2 is a left side elevational view;
FIG. 3 is a front elevational view;
FIG. 4 is a rear elevational view;
FIG. 5 is a top plan view;
FIG. 6 is a bottom plan view; and,
FIG. 7 is a top, right front perspective view thereof.

1 Claim, 4 Drawing Sheets



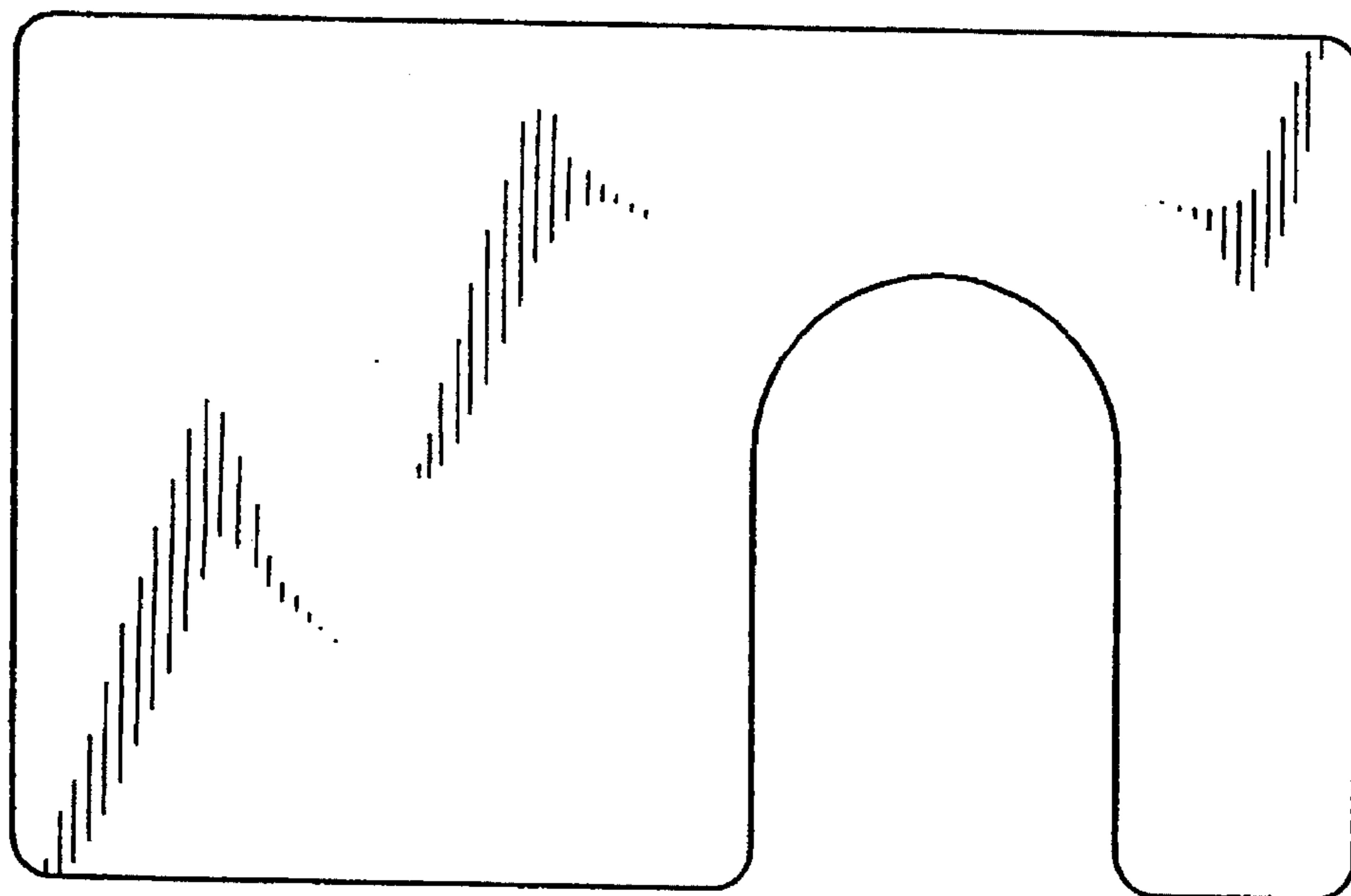


FIG. 1

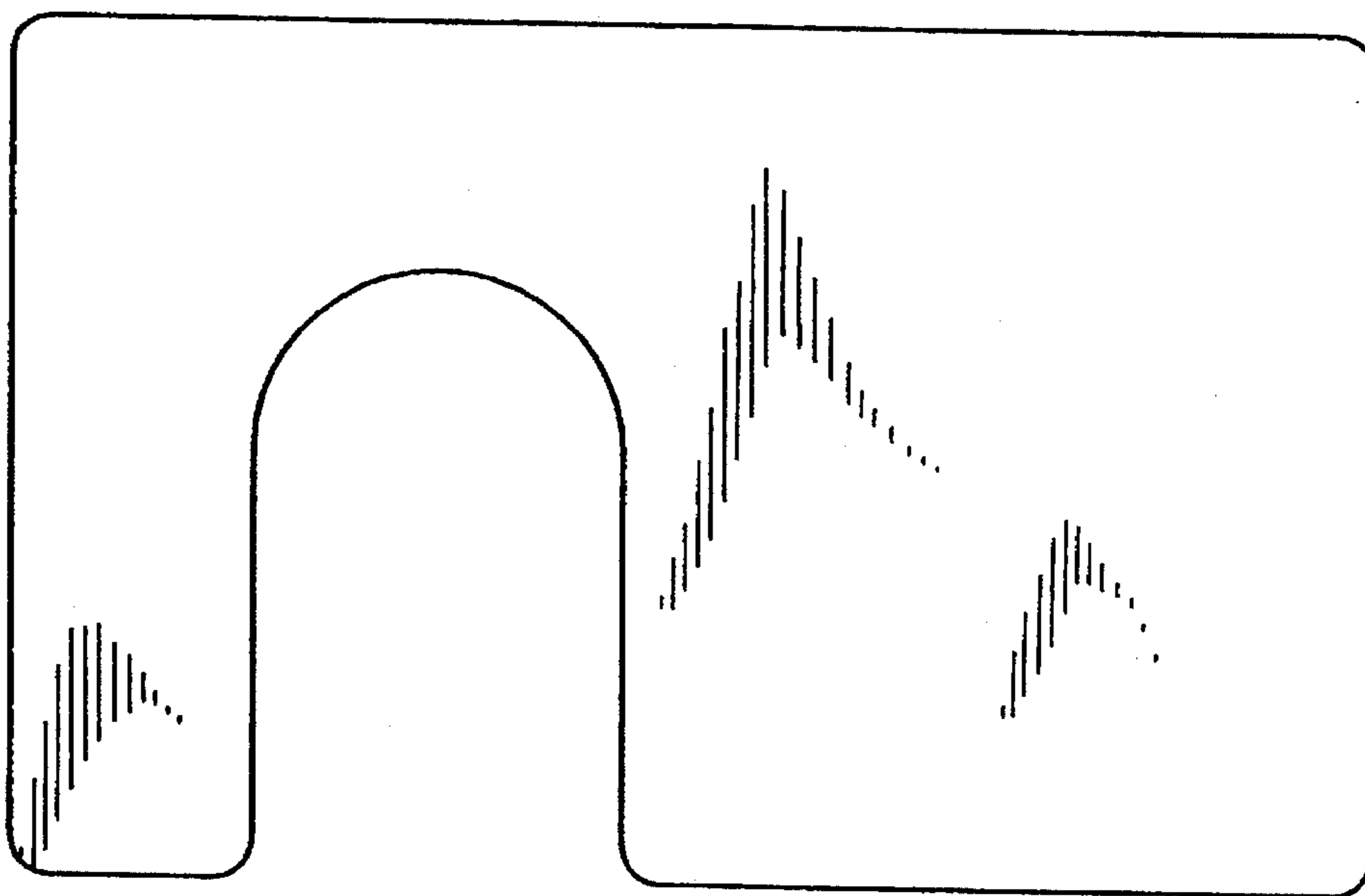


FIG. 2

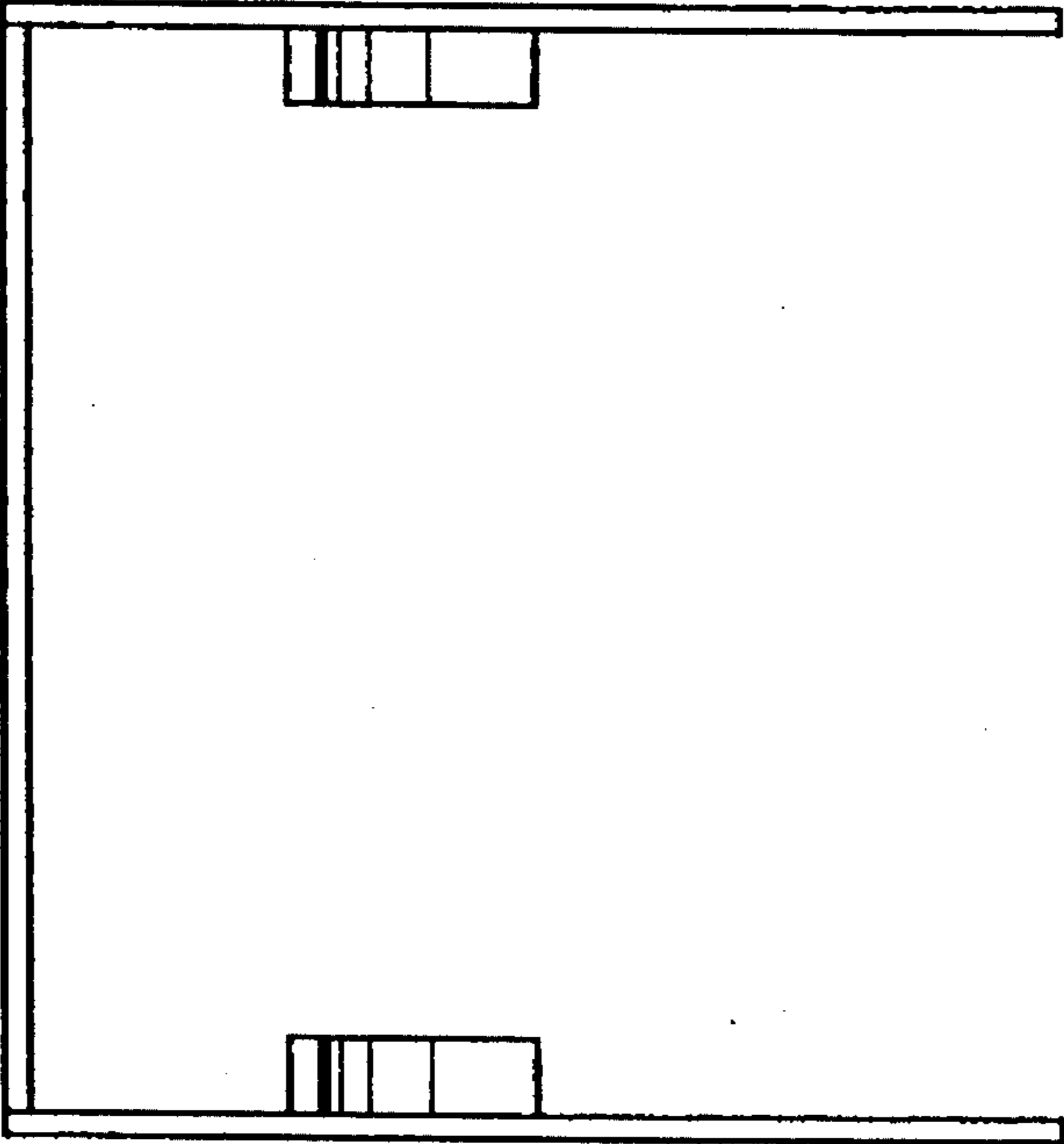


FIG. 4

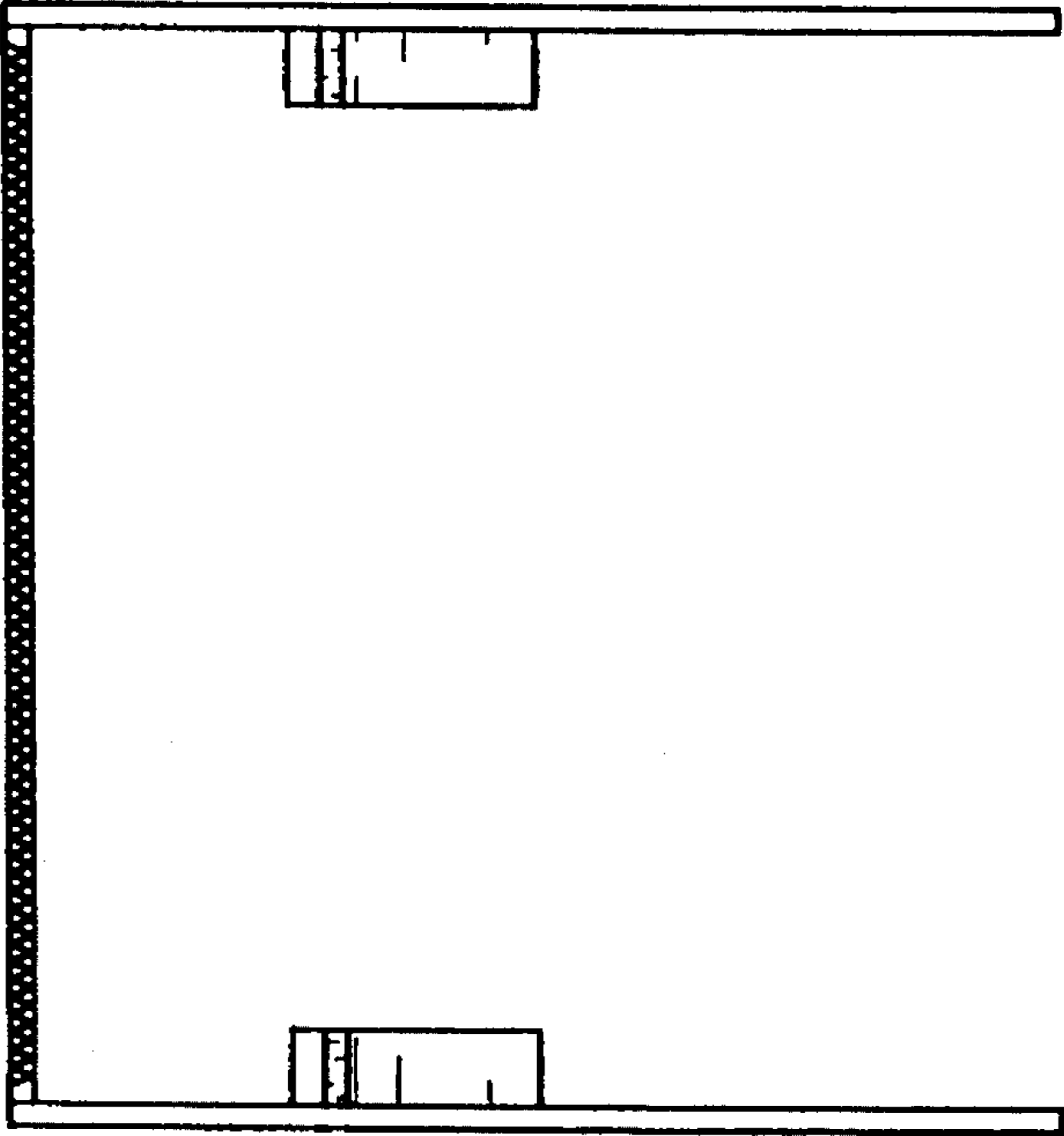


FIG. 3

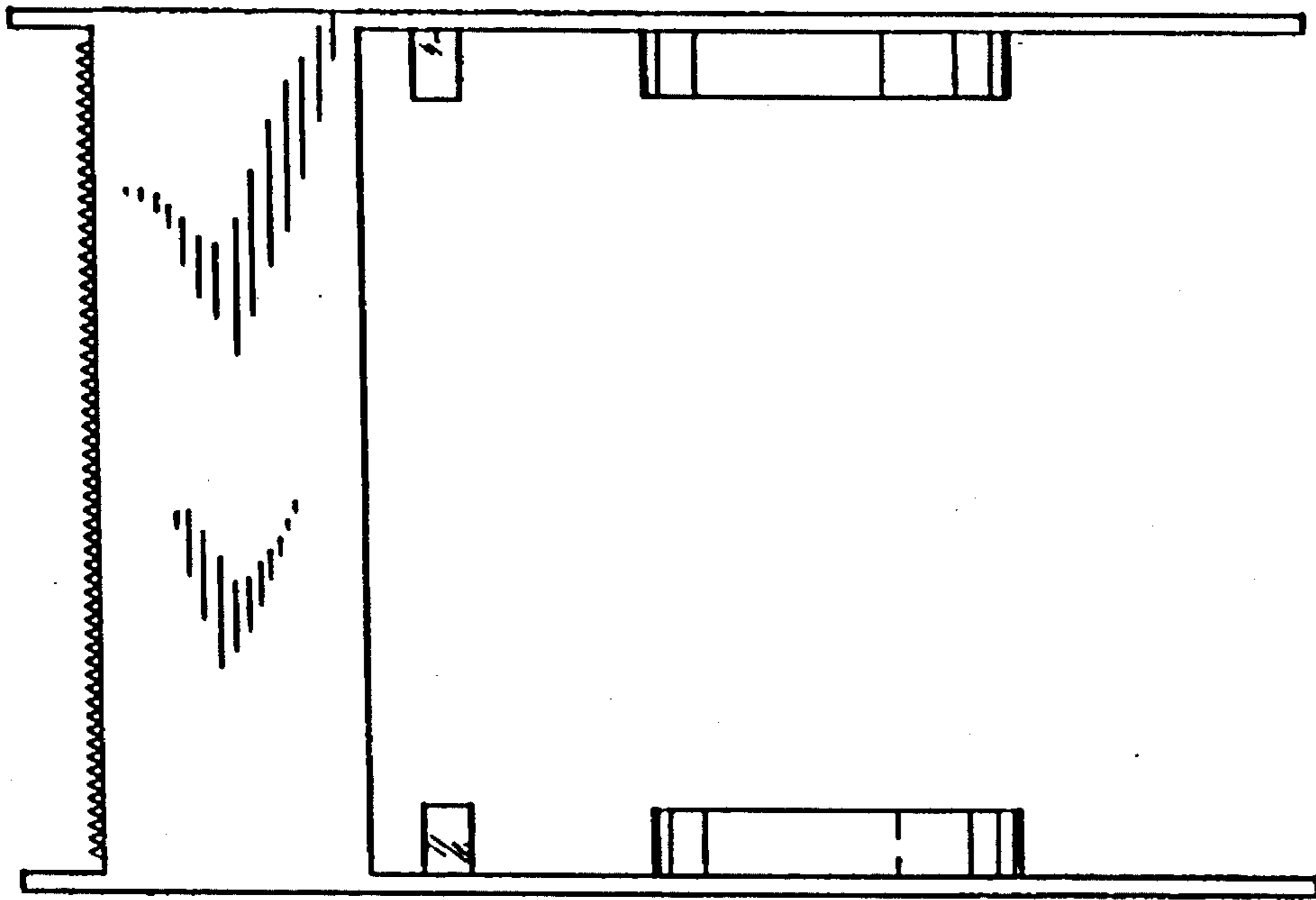


FIG. 5

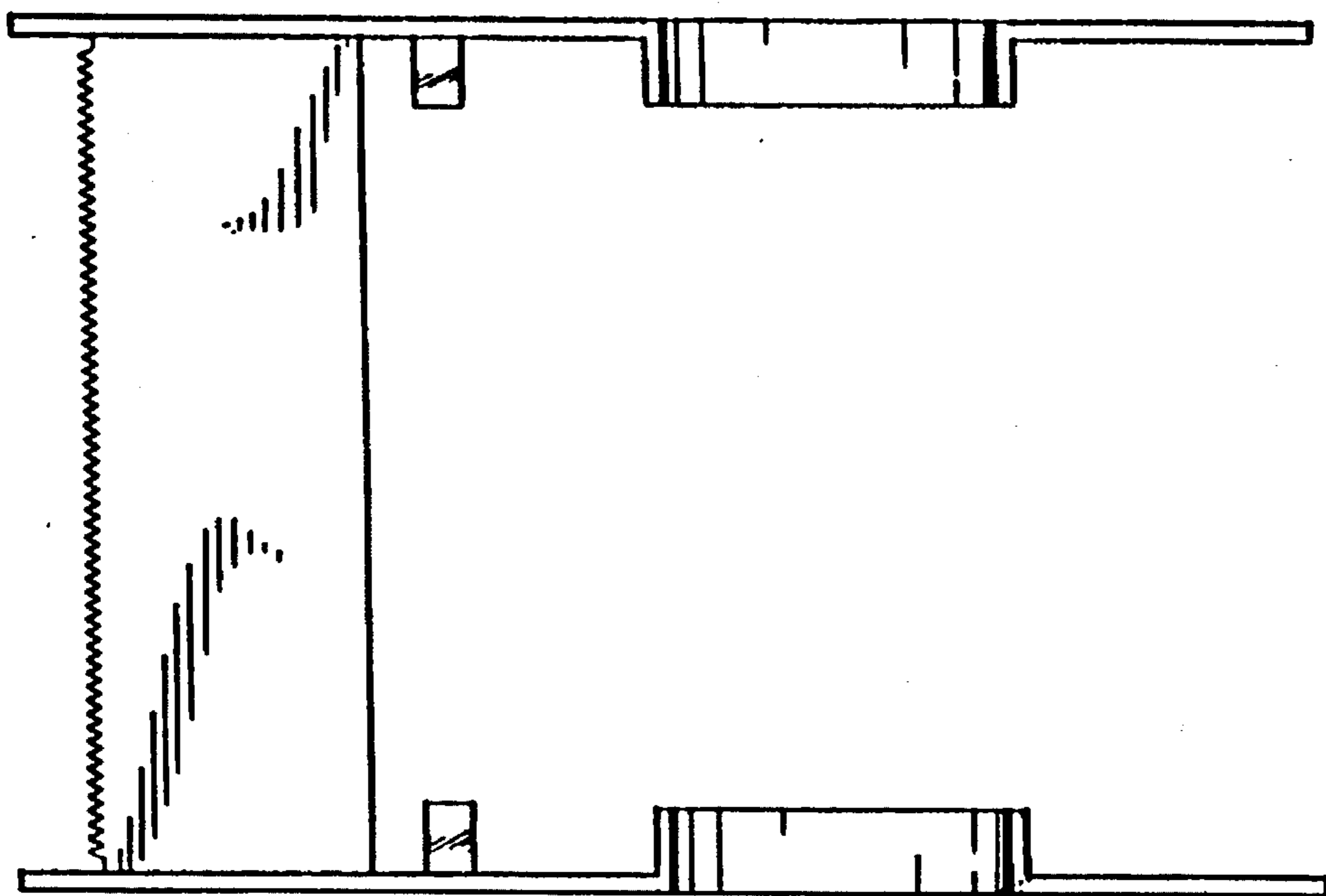


FIG. 6

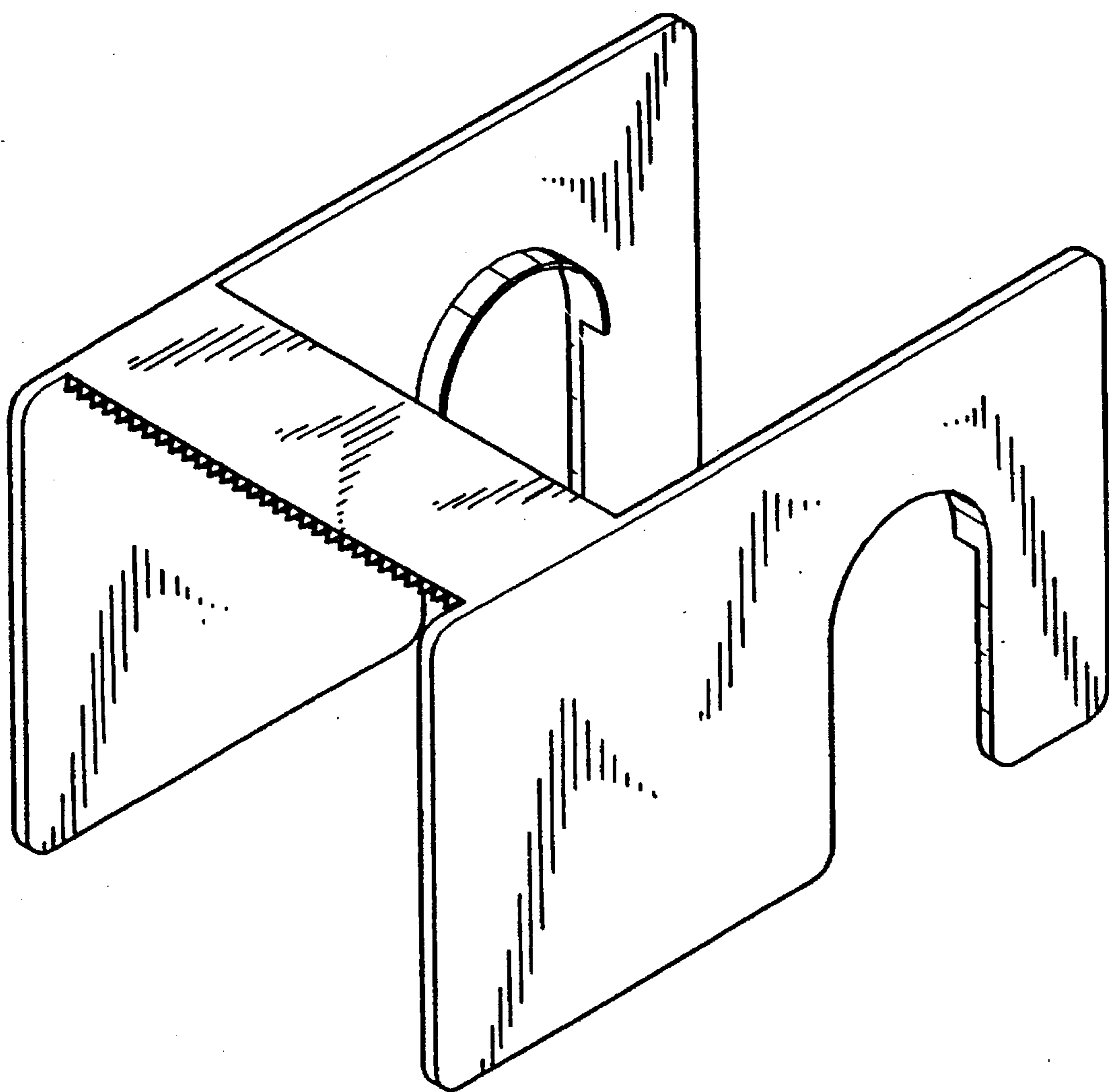


FIG. 7