



US00D372049S

United States Patent [19]

Anderson

[11] Patent Number: **Des. 372,049**

[45] Date of Patent: ****Jul. 23, 1996**

[54] **CRAYON PROTECTOR**

5,002,182 3/1991 McGinnis .
5,048,989 9/1991 Stageman .

[76] Inventor: **Rose M. Anderson**, 6156 N. Mitre Ave., Fresno, Calif. 93722

FOREIGN PATENT DOCUMENTS

[**] Term: **14 Years**

0008651 of 1885 United Kingdom 401/88

[21] Appl. No.: **5,980**

Primary Examiner—Martie Thompson

[22] Filed: **Mar. 16, 1993**

[57] **CLAIM**

[52] U.S. Cl. **D19/55; D19/48; D19/49**

The ornamental design for a crayon protector, as shown and described.

[58] Field of Search D19/35, 36, 41-51, D19/54-58, 81-85; D8/107, DIG. 7; 401/34, 88, 89, 90, 195, 52, 6, 7

DESCRIPTION

[56] **References Cited**

FIG. 1 is an environmental perspective view of a crayon protector showing my new design;

U.S. PATENT DOCUMENTS

FIG. 2 is a front elevational view thereof, the rear elevational view being a mirror image;

D. 268,935	5/1983	Horntrich	D19/48 X
D. 277,873	3/1985	Kin	D19/48 X
D. 290,854	7/1987	Appel	.	
D. 311,421	10/1990	Mardock	D19/55
1,323,612	12/1919	Rich	401/88
1,428,076	9/1922	Clark	401/88 X
1,595,948	8/1926	King	401/88
4,468,146	8/1984	Tabachnik	.	
4,635,309	1/1987	Larsen	401/34 X
4,875,707	10/1989	Krom	.	

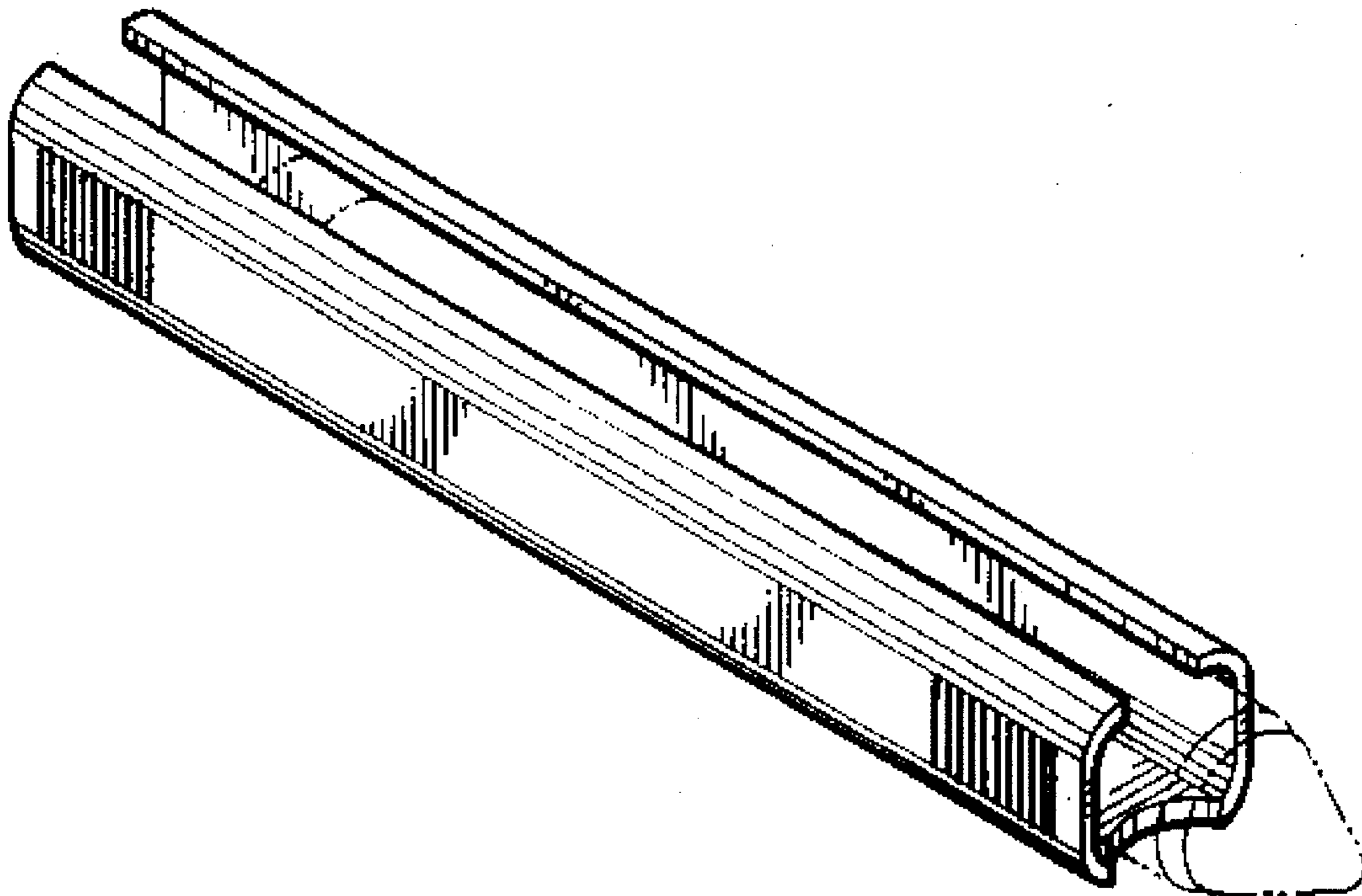
FIG. 3 is an environmental end elevational view thereof, the opposite end elevational view being a mirror image;

FIG. 4 is a top plan view thereof; and,

FIG. 5 is a bottom plan view thereof.

The portion of the figure shown in broken lines in FIGS. 1 and 3 represents a crayon and forms no part of the claimed design.

1 Claim, 1 Drawing Sheet



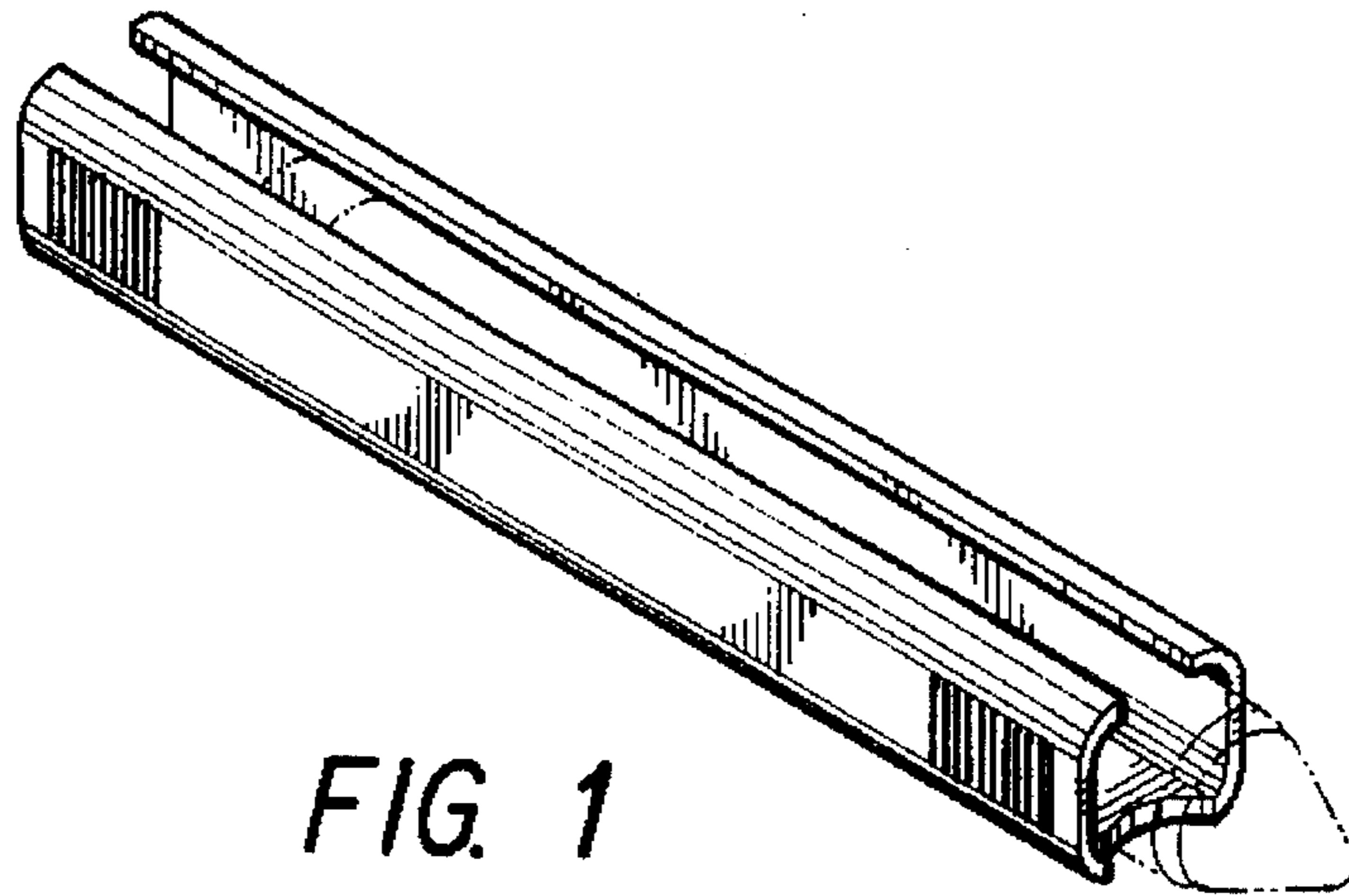


FIG. 1

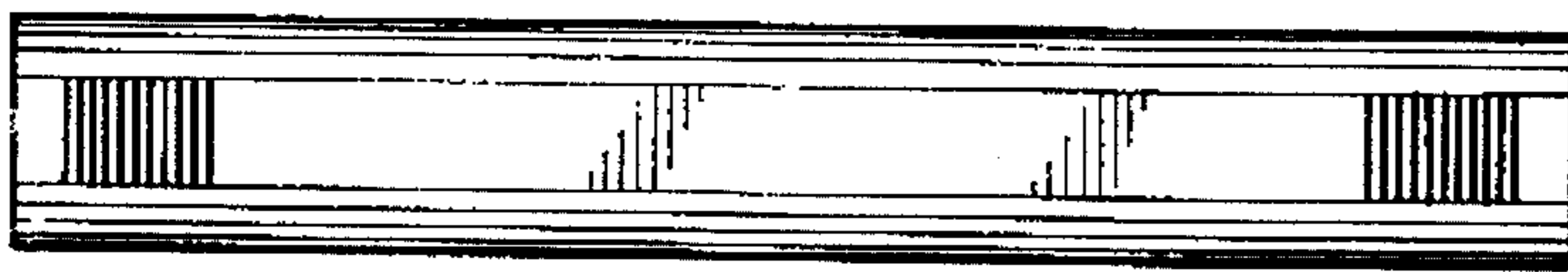


FIG. 2



FIG. 3

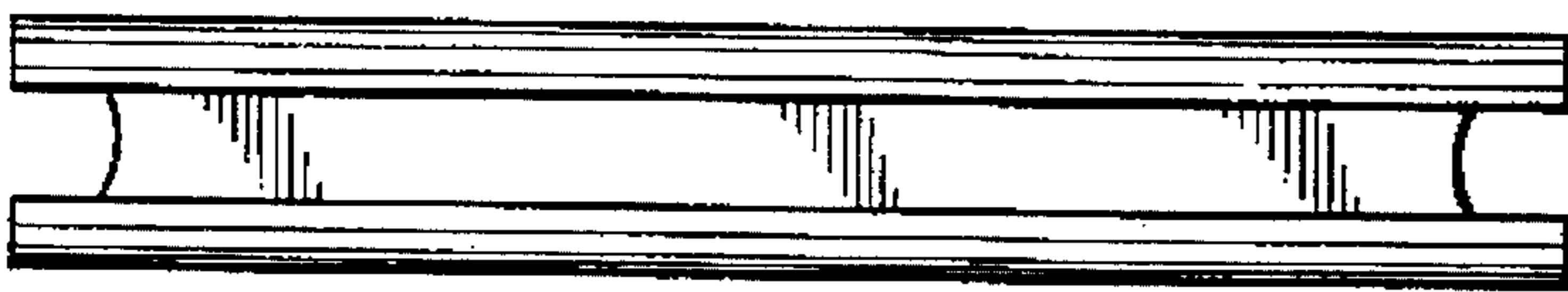


FIG. 4

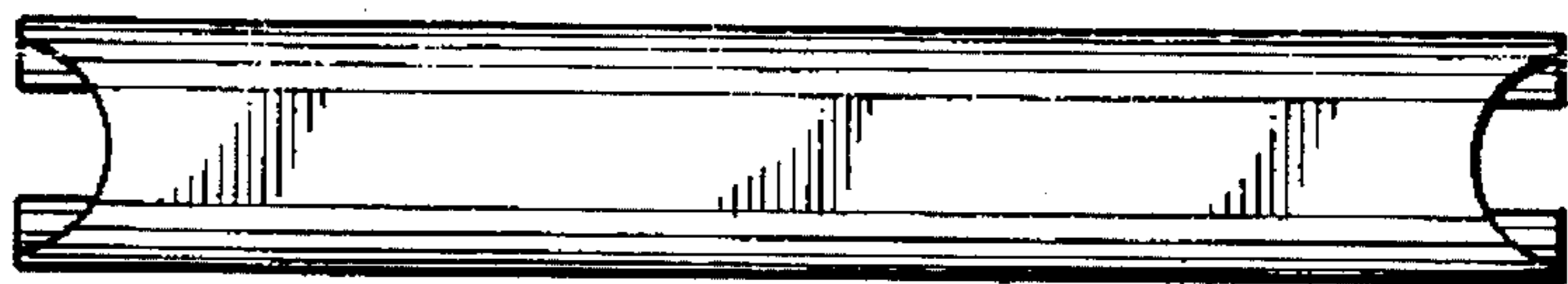


FIG. 5