



US00D372044S

United States Patent [19]

[11] Patent Number: **Des. 372,044**

Ware et al.

[45] Date of Patent: ****Jul. 23, 1996**

[54] TAPE CASSETTE FOR A LABEL PRINTER

FOREIGN PATENT DOCUMENTS

[75] Inventors: **Richard W. Ware**, Welwyn Garden City; **Robert C. Day**, Cambridge, both of United Kingdom

141412	5/1985	European Pat. Off.	400/207
240482	11/1985	Japan	400/208
1206087	8/1989	Japan	400/207

[73] Assignee: **Esselte Dymo, N.V.**, St. Niklaas, Belgium

Primary Examiner—Cathy Anne MacCormac
Attorney, Agent, or Firm—Pennie & Edmonds

[**] Term: **14 Years**

[57] CLAIM

[21] Appl. No.: **23,936**

The ornamental design for a tape cassette for a label printer, as shown and described.

[22] Filed: **Jun. 3, 1994**

DESCRIPTION

[30] Foreign Application Priority Data

FIG. 1 is a top plan view of a tape cassette for a label printer showing our new design;

Dec. 6, 1993 [GB] United Kingdom 2035699

FIG. 2 is a perspective rear view thereof taken from the bottom, front and left side;

[52] U.S. Cl. **D18/56**; 400/208

FIG. 3 is a rear elevational view thereof;

[58] Field of Search 347/86, 43; 400/207-208; D18/56

FIG. 4 is a right side elevational view thereof with the tape removed for convenience of illustration;

[56] References Cited

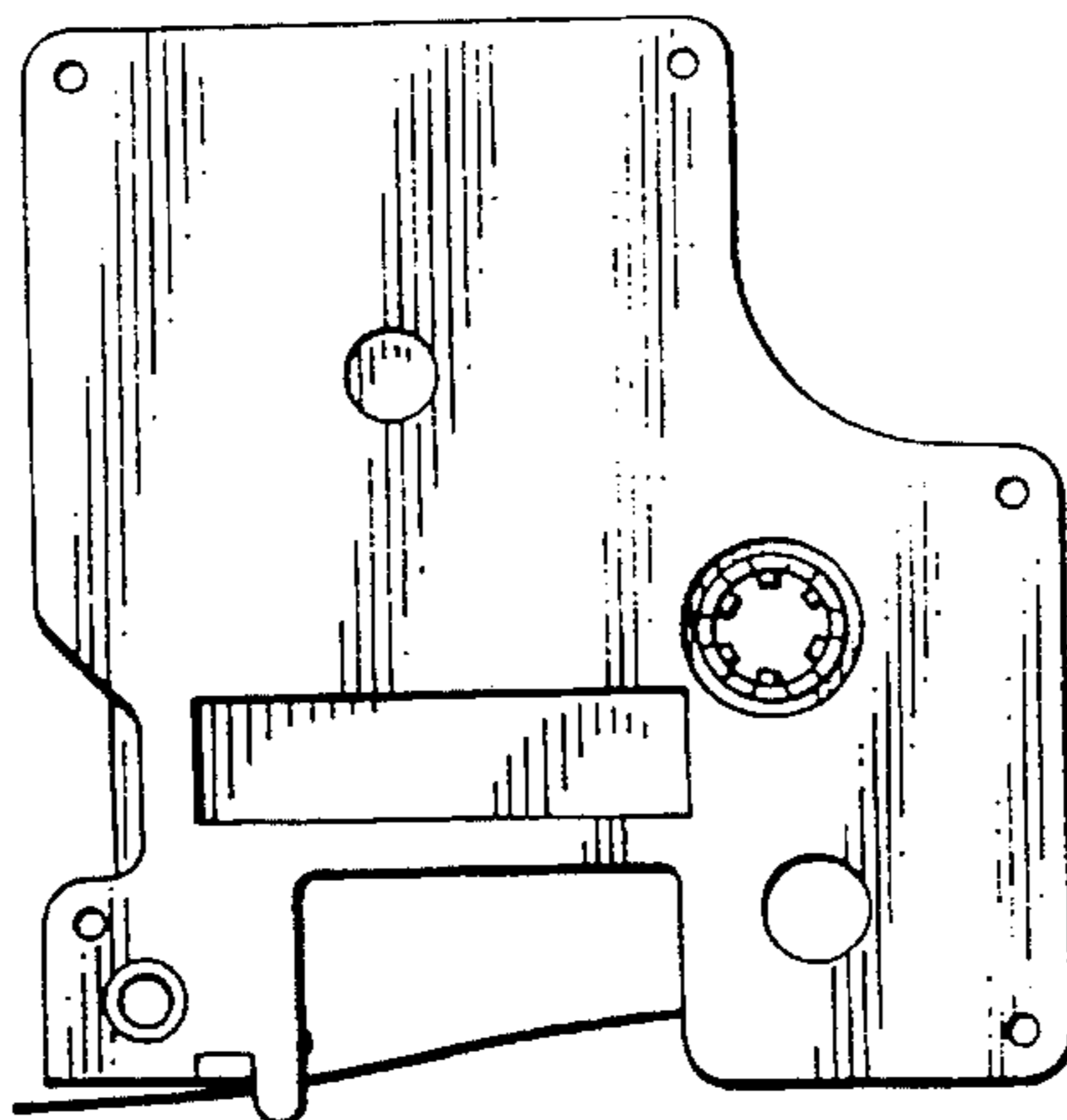
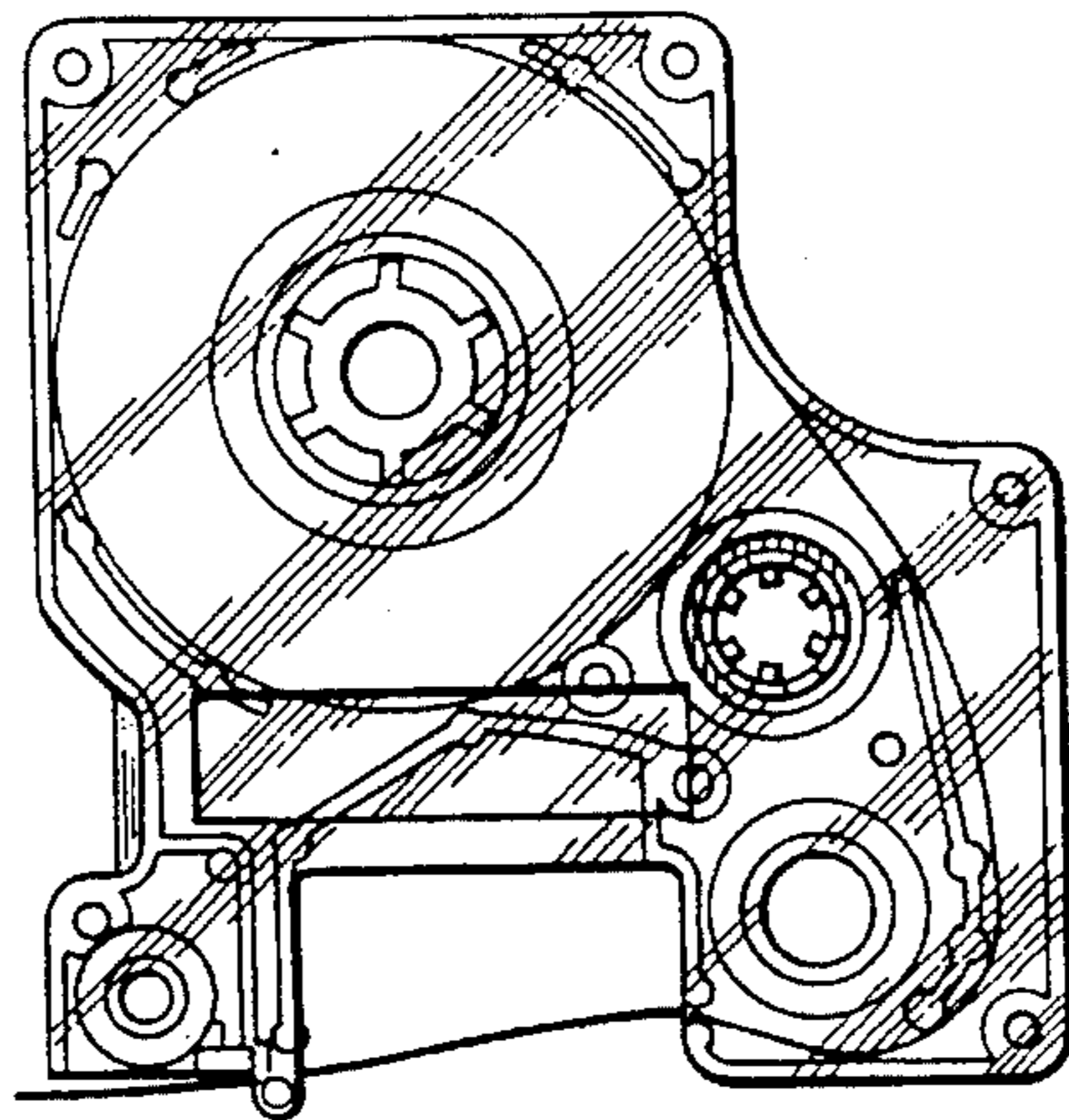
U.S. PATENT DOCUMENTS

D. 338,235	8/1993	Komada et al.	D18/56
D. 342,275	12/1993	Cooper	D18/56
4,391,539	7/1983	Conroy	400/208
4,480,936	11/1984	Kasun et al.	400/207
5,141,342	8/1992	Kawahara	400/207

FIG. 5 is a left side elevational view thereof with the tape removed for convenience of illustration; and,

FIG. 6 is a top plan view of a second embodiment of FIG. 1, the difference being that the cover is made of an opaque material, all other views are identical to the first embodiment.

1 Claim, 1 Drawing Sheet



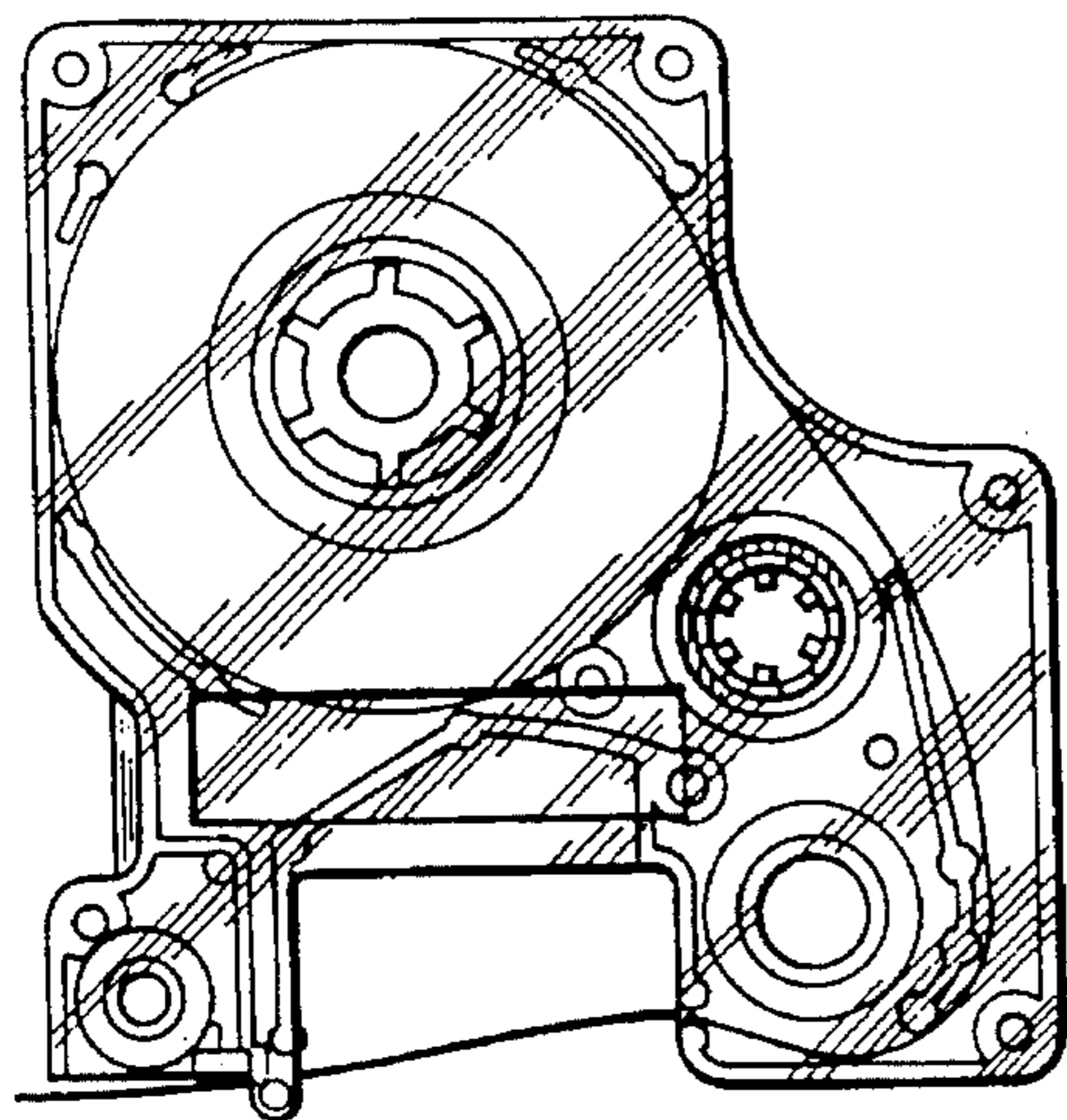


FIG. 1

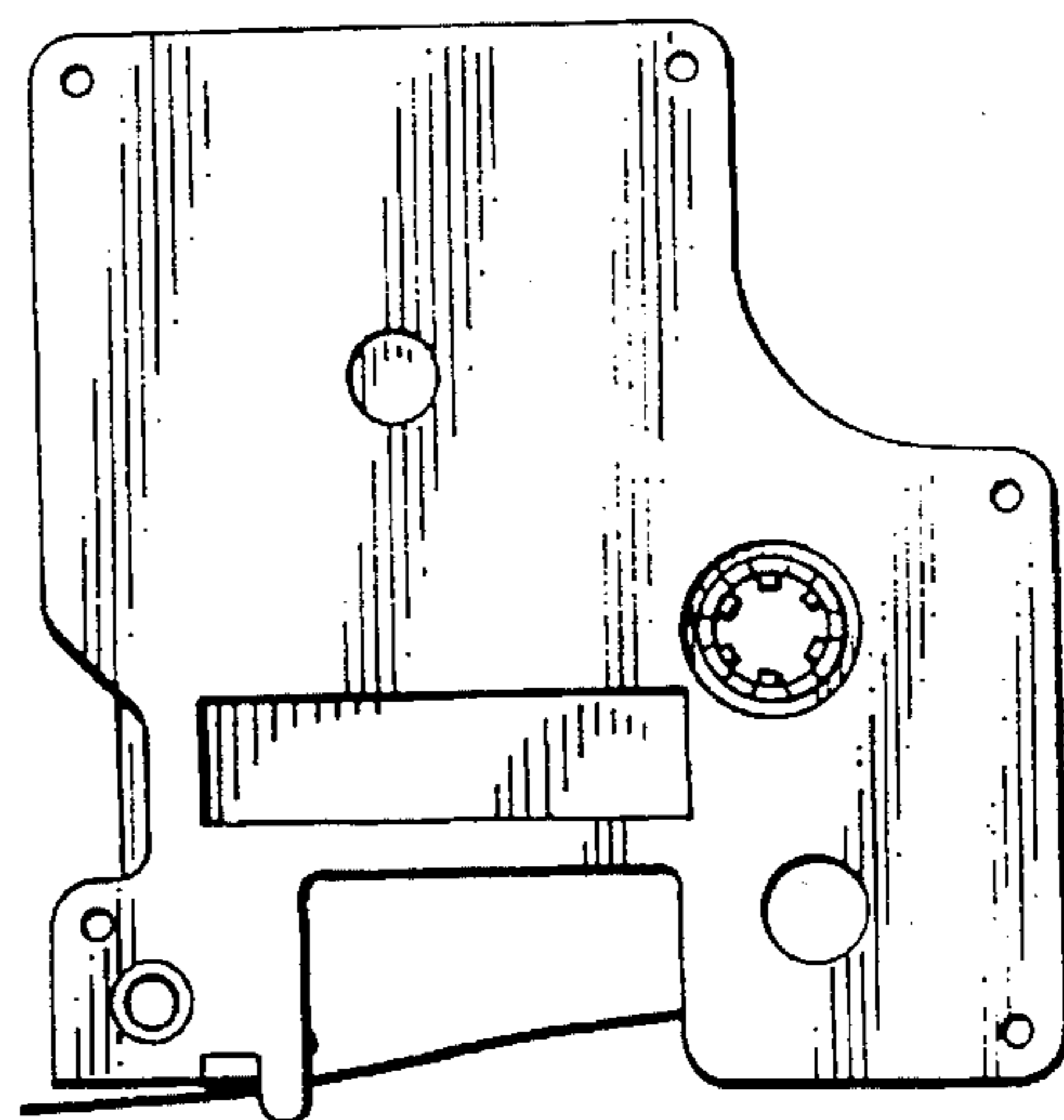


FIG. 6

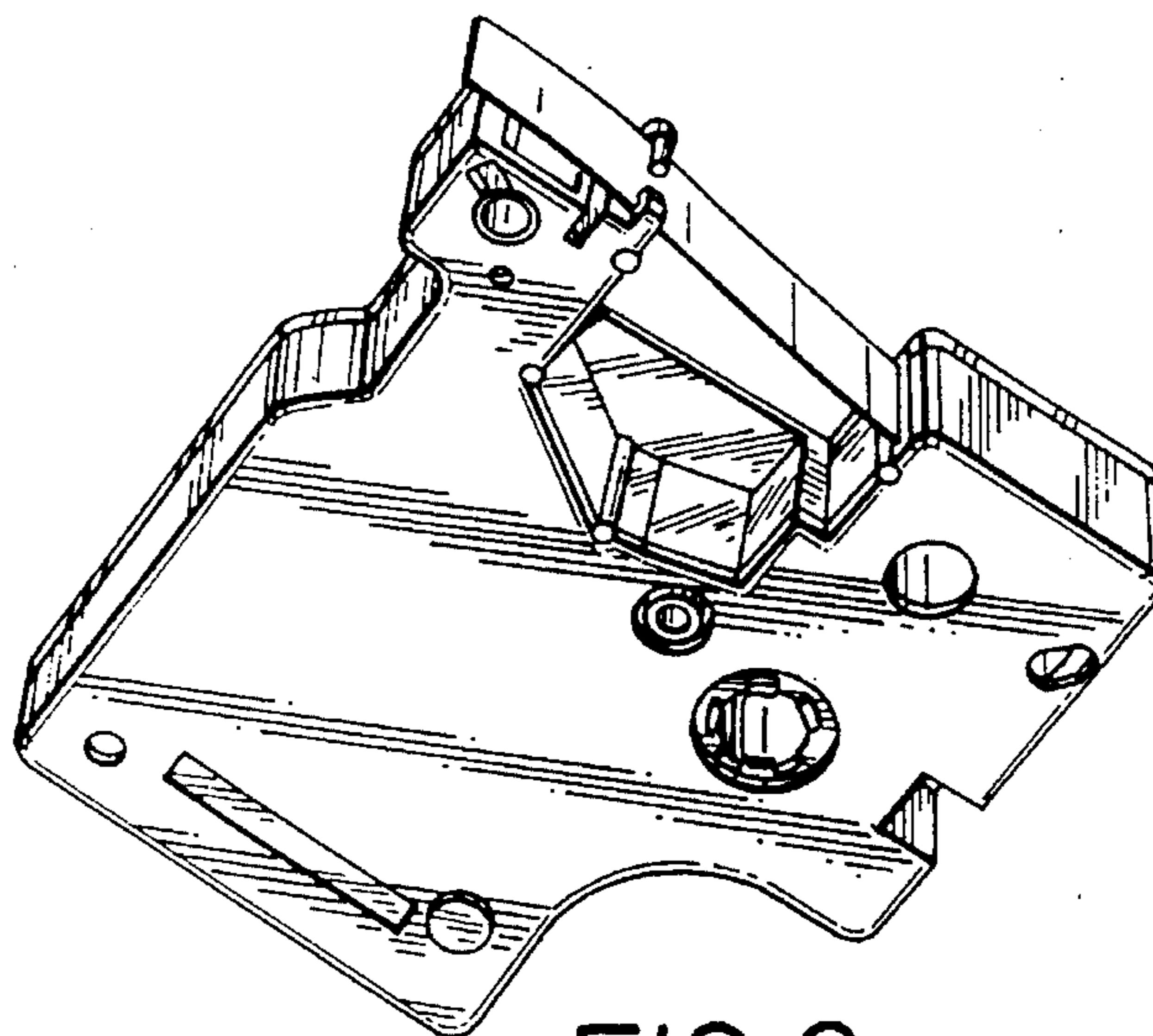


FIG. 2

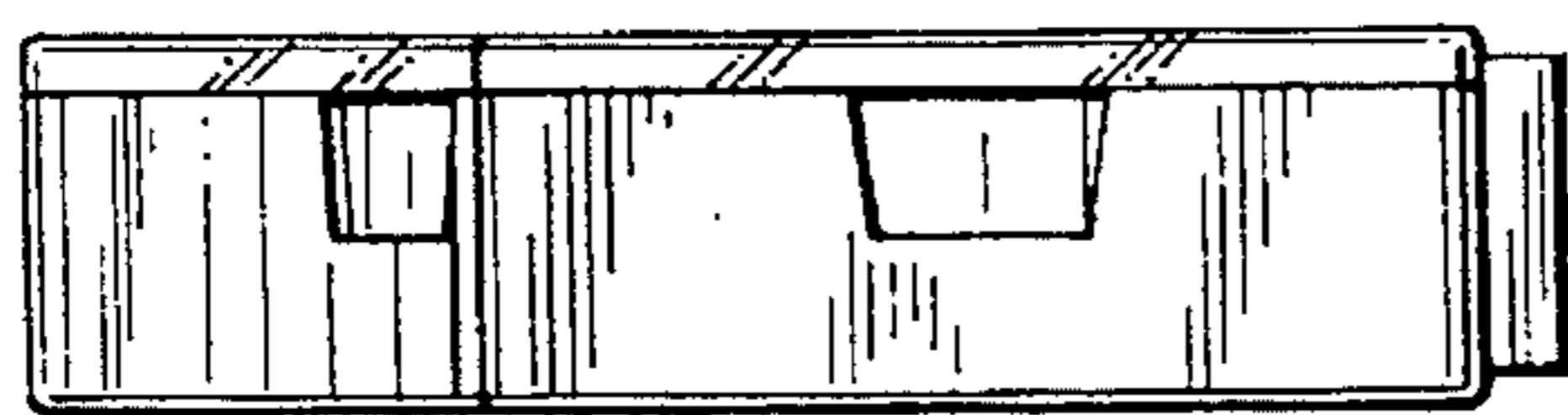


FIG. 3

FIG. 4

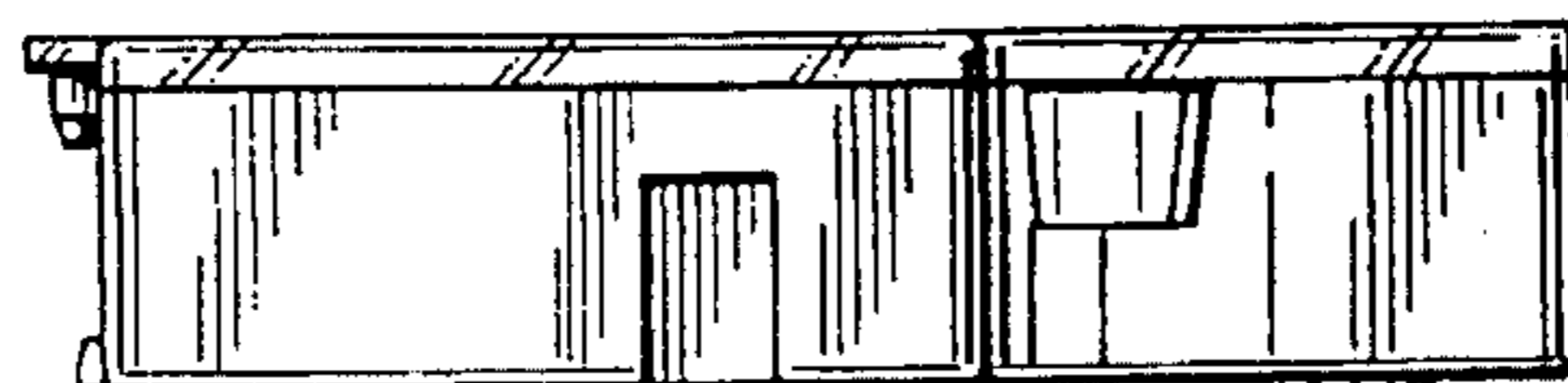


FIG. 5

