



US00D372041S

# United States Patent [19]

Reizenstein

[11] Patent Number: **Des. 372,041**

[45] Date of Patent: **\*\*Jul. 23, 1996**

[54] GUITAR

[76] Inventor: **Michael Reizenstein**, 111 Orchard St.,  
Yonkers, N.Y. 10703

[\*\*] Term: **14 Years**

[21] Appl. No.: **35,940**

[22] Filed: **Mar. 9, 1995**

[52] U.S. Cl. .... **D17/14; D17/18; 84/267**

[58] Field of Search ..... **D17/14, 15, 18,  
D17/19; 84/267, 291-293, 327**

### [56] References Cited

#### U.S. PATENT DOCUMENTS

D. 221,477	8/1971	Turner .....	D17/14
D. 224,154	7/1972	Gilbert .....	D17/14
3,251,257	5/1966	Bunker .....	84/267
4,311,078	1/1982	Falgares .....	84/267
4,785,705	11/1988	Patterson .....	84/327

*Primary Examiner*—Sandra L. Morris  
*Assistant Examiner*—Adir Aronovich  
*Attorney, Agent, or Firm*—Charles E. Temko

### [57] CLAIM

The ornamental design for a guitar, as shown and described.

### DESCRIPTION

FIG. 1 is a top plan view of a guitar showing my new design; FIG. 2 is an end elevational view thereof; FIG. 3 is an end elevational view thereof showing the side opposite that seen in FIG. 2; FIG. 4 is a side elevational view thereof; FIG. 5 is a side elevational view thereof showing the side opposite that seen in FIG. 4; and, FIG. 6 is a bottom plan view thereof; FIG. 7 is a reduced bottom perspective view thereof; and, FIG. 8 is a reduced top perspective view thereof.

**1 Claim, 6 Drawing Sheets**

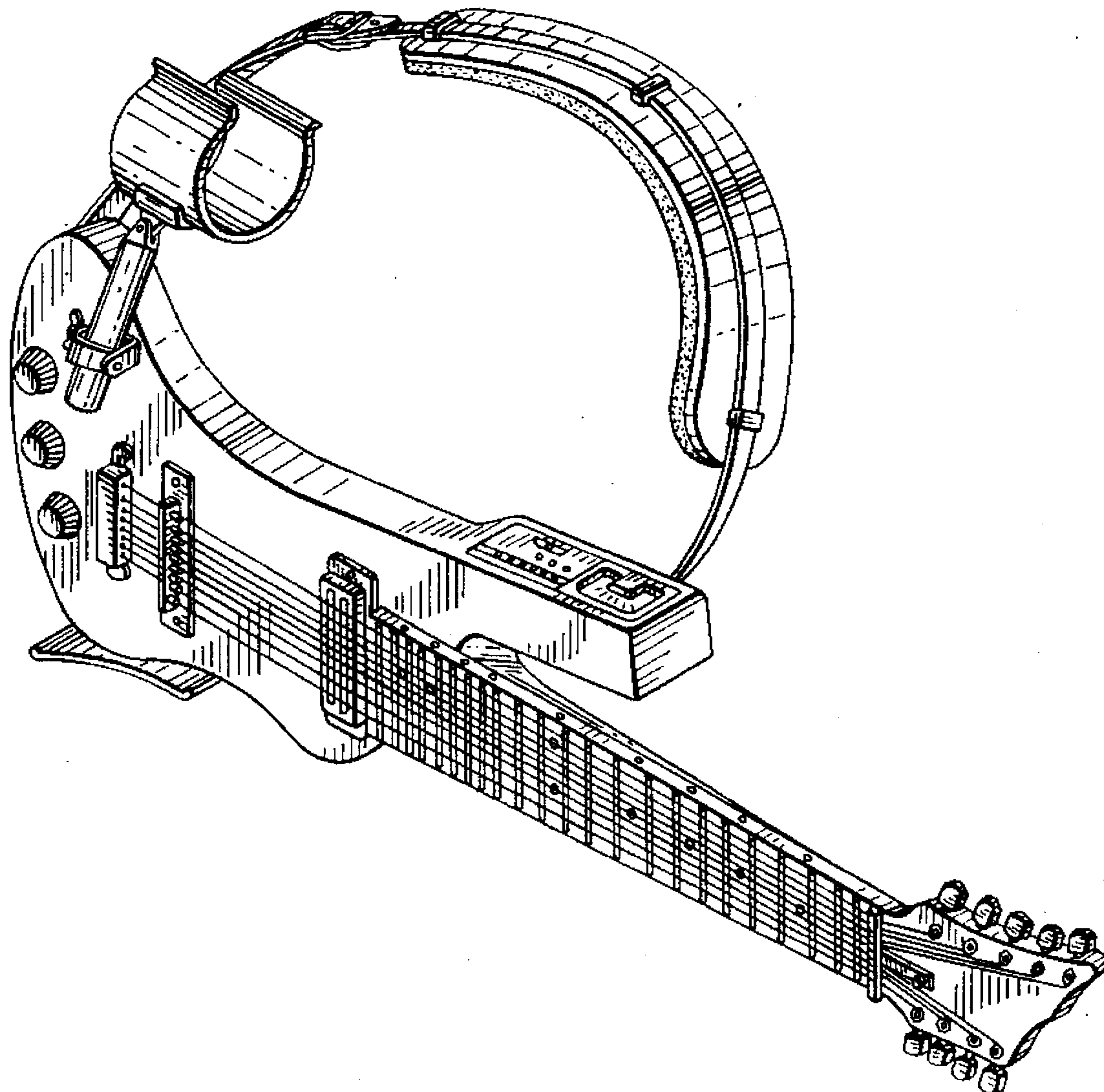
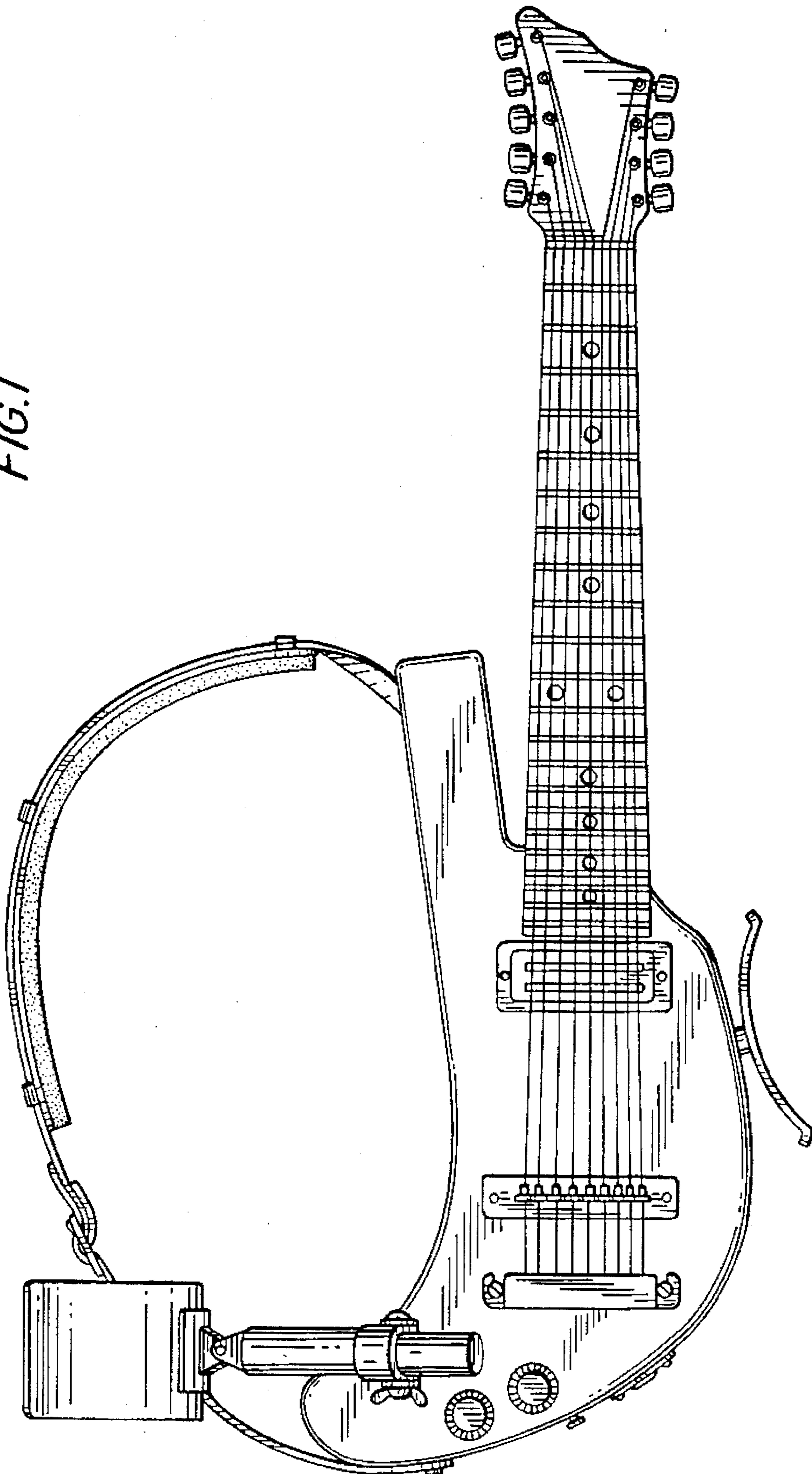


FIG. 1



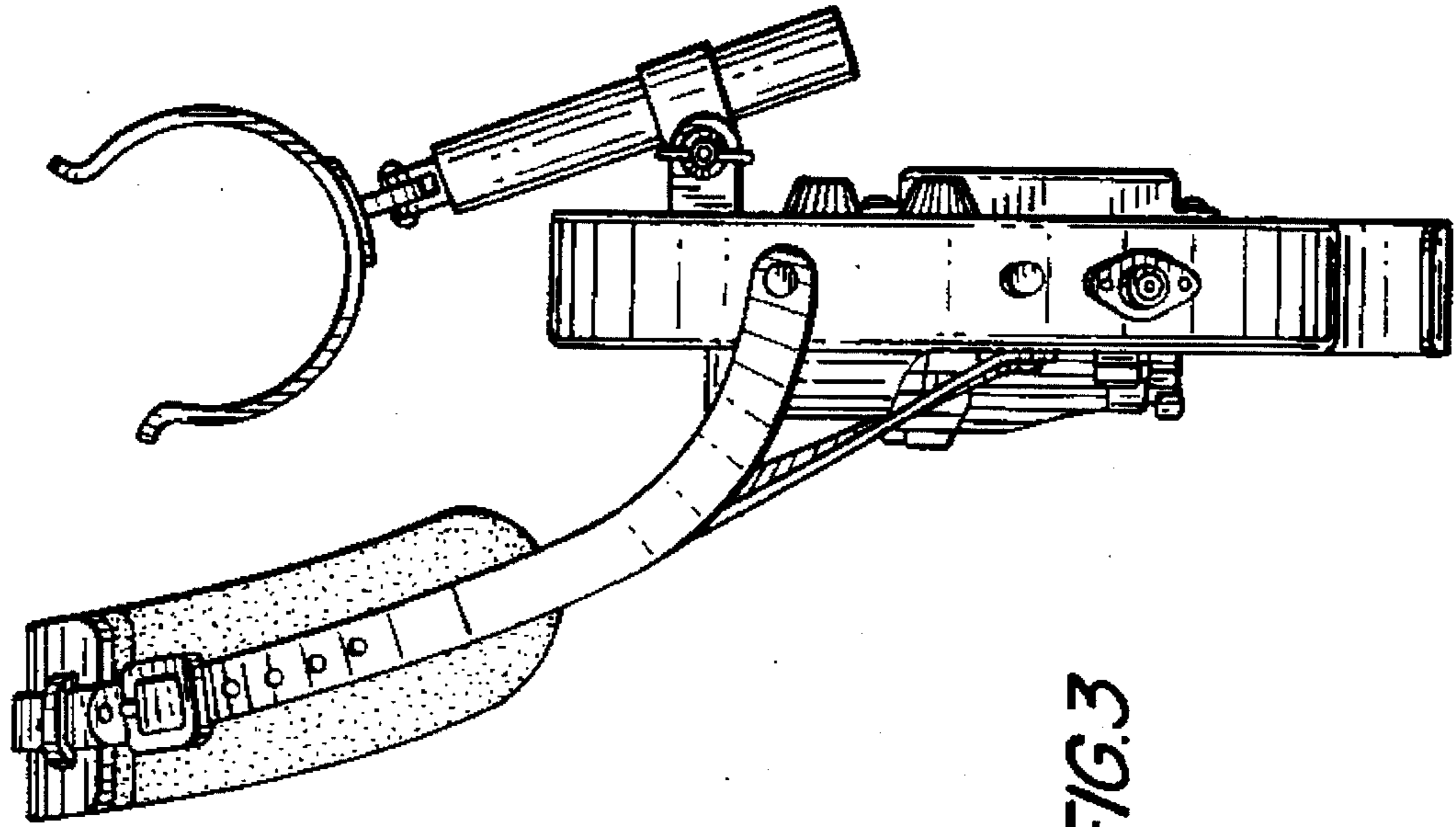


FIG. 3

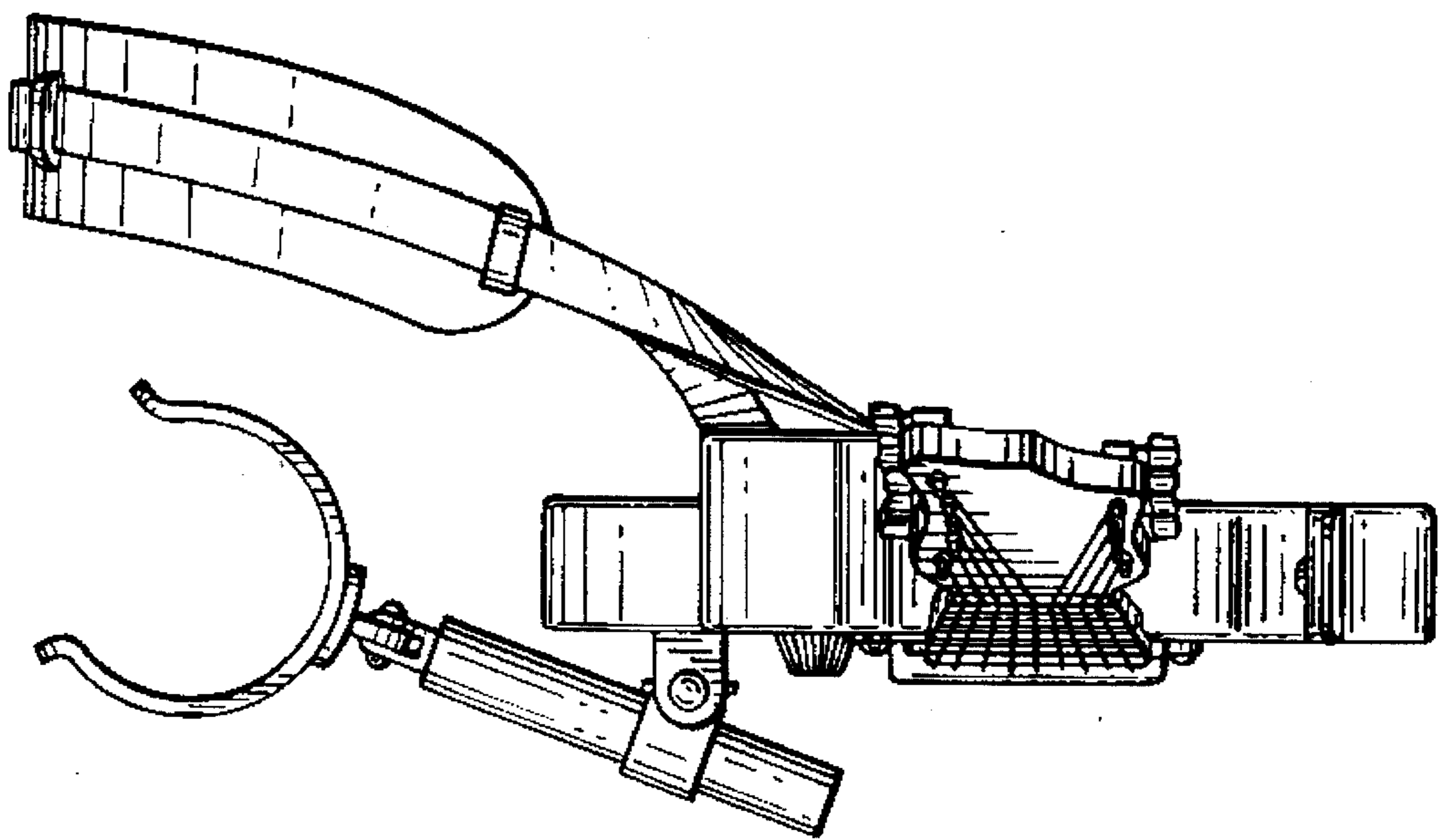
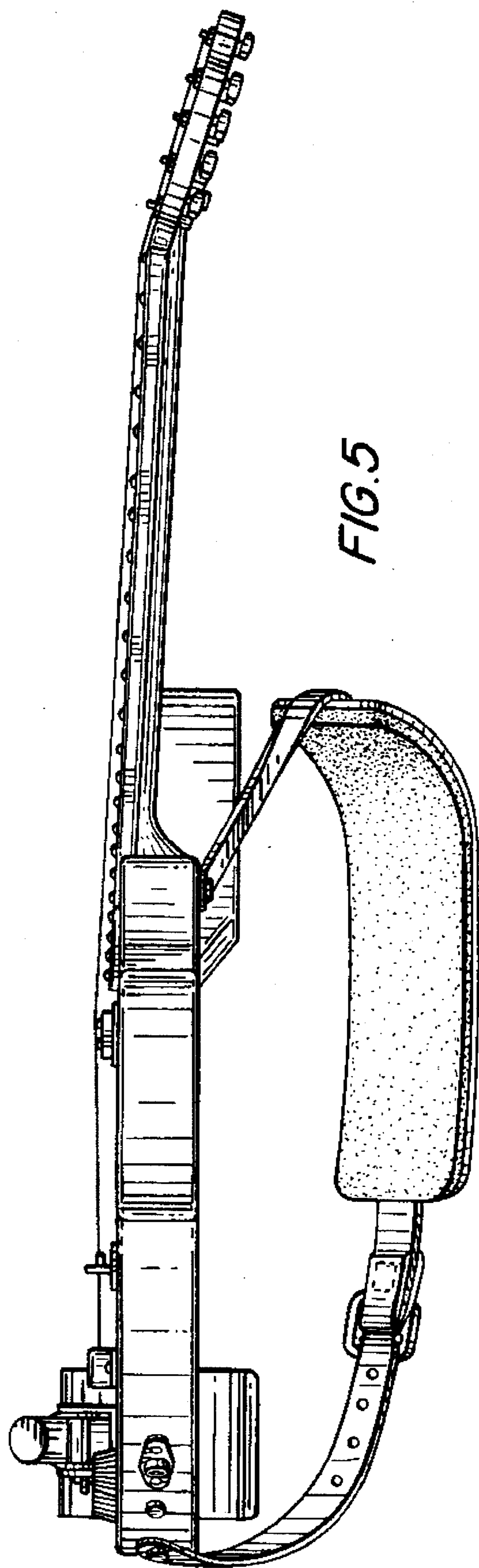
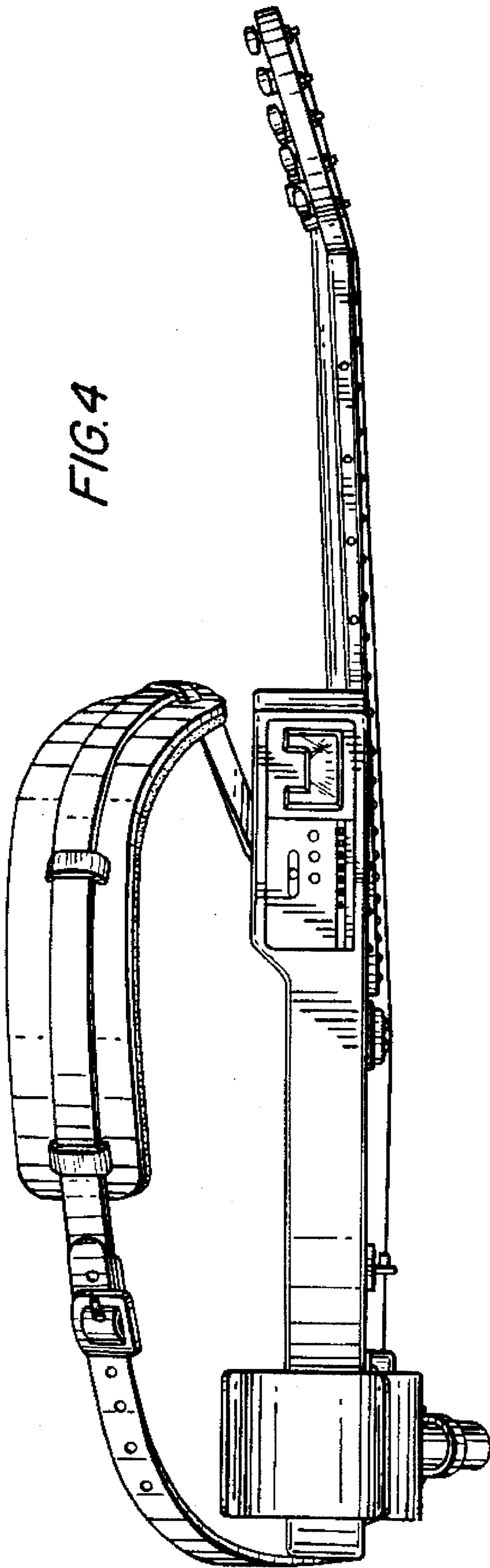


FIG. 2



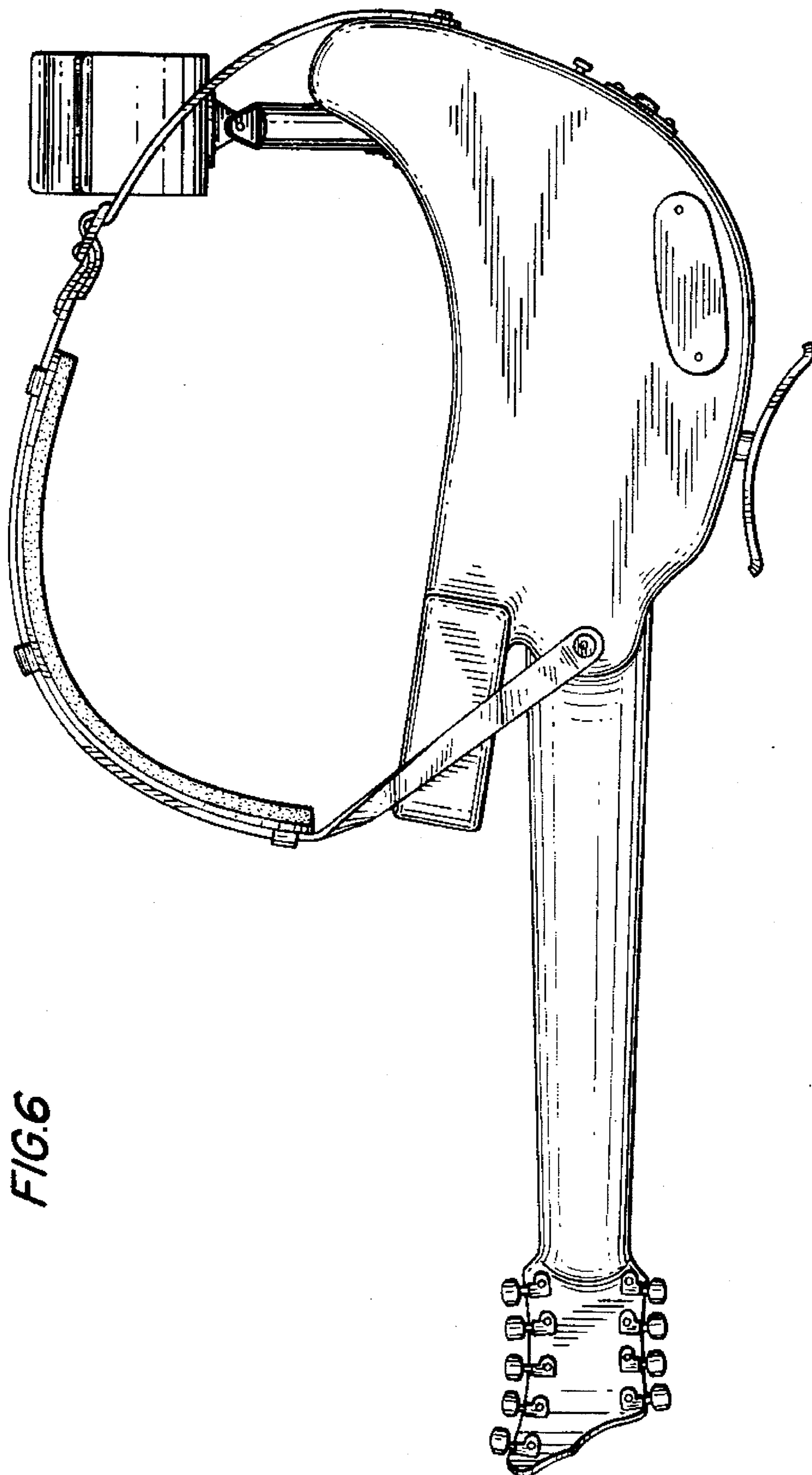


FIG. 6

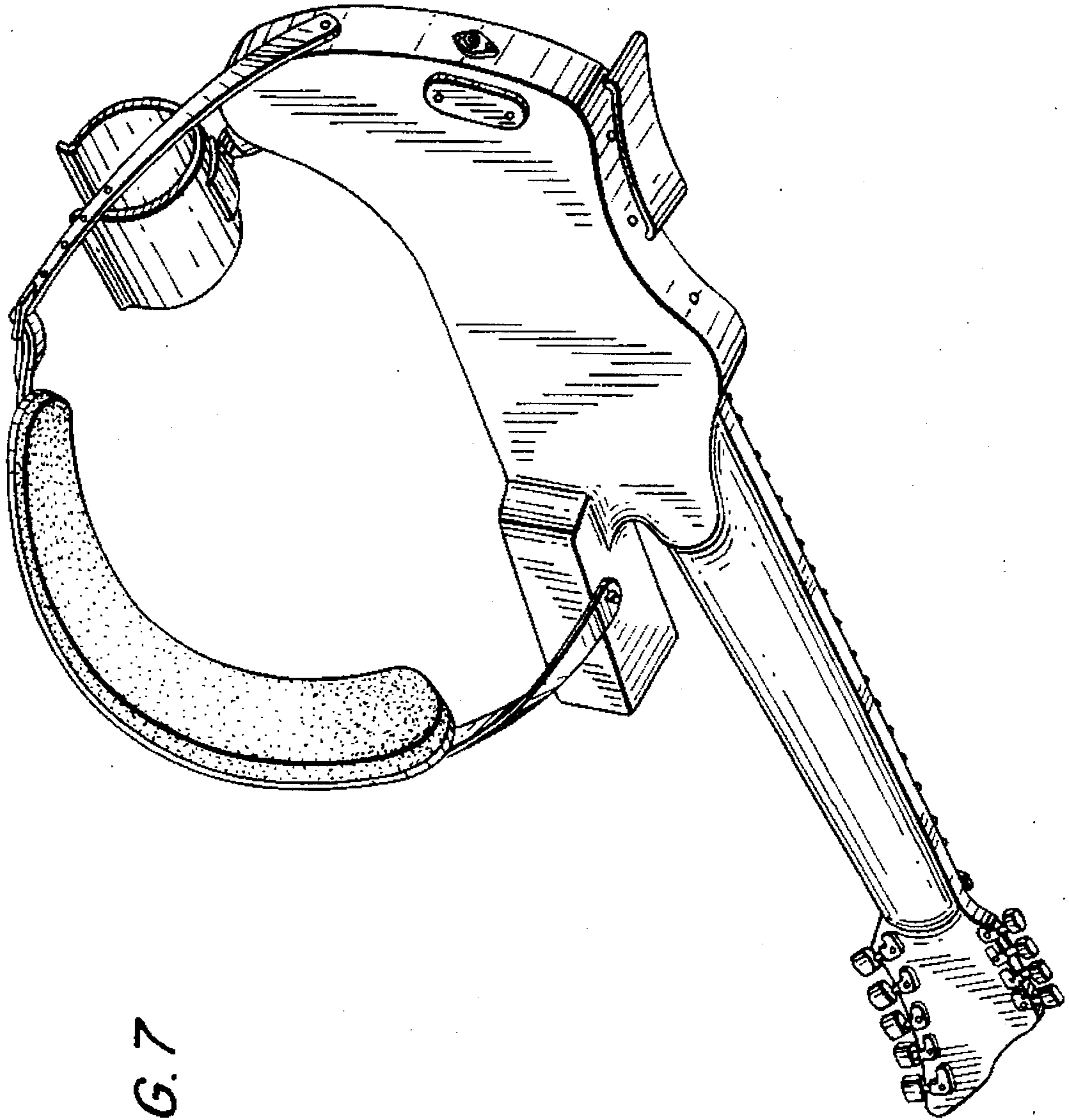


FIG. 7

FIG. 8

