



US00D372040S

United States Patent [19]

Cowan

[11] Patent Number: Des. 372,040

[45] Date of Patent: **Jul. 23, 1996

[54] EYEPIECE

5,371,556 12/1994 Suwa et al. 351/158

[75] Inventor: Neal Cowan, Ottawa, Canada

FOREIGN PATENT DOCUMENTS

[73] Assignee: H.K. Eyecan Ltd., Ottawa, Canada

2271195 6/1994 United Kingdom 359/400

[**] Term: 14 Years

Primary Examiner—Sandra L. Morris
Assistant Examiner—R. Barkai
Attorney, Agent, or Firm—Thomas Adams

[21] Appl. No.: 23,455

[57] CLAIM

[22] Filed: May 25, 1994

The ornamental design for an eyepiece, as shown and described.

[30] Foreign Application Priority Data

Nov. 30, 1993 [CA] Canada 30-11-93-3

DESCRIPTION

[52] U.S. Cl. D16/330

[58] Field of Search D16/130, 101,
D16/309, 311, 314, 330, 335, 336, 339,
900; 351/111, 119, 121, 123, 157, 158,
208; 359/400

FIG. 1 is a front perspective view from above of an eyepiece for attaching to the right hand opening of a spectacle frame showing, in dashed lines, a spectacle frame and a connecting cable which are for purposes of illustration only and do not form part of the design;

[56] References Cited

U.S. PATENT DOCUMENTS

D: 301,644	6/1989	Sestak	D16/309
D. 352,046	11/1994	Kataoka	D16/309
3,883,225	5/1975	Rehm	351/158
4,767,203	8/1988	Zahir	351/158
5,060,062	10/1991	Dotson	351/158
5,106,179	4/1992	Kamaya et al.	351/158
5,151,722	9/1992	Massof et al.	351/158
5,162,828	11/1992	Furness et al.	351/158
5,274,405	12/1993	Webster	351/158

FIG. 2 is a plan view of the eyepiece from above;

FIG. 3 is a plan view of the eyepiece from below;

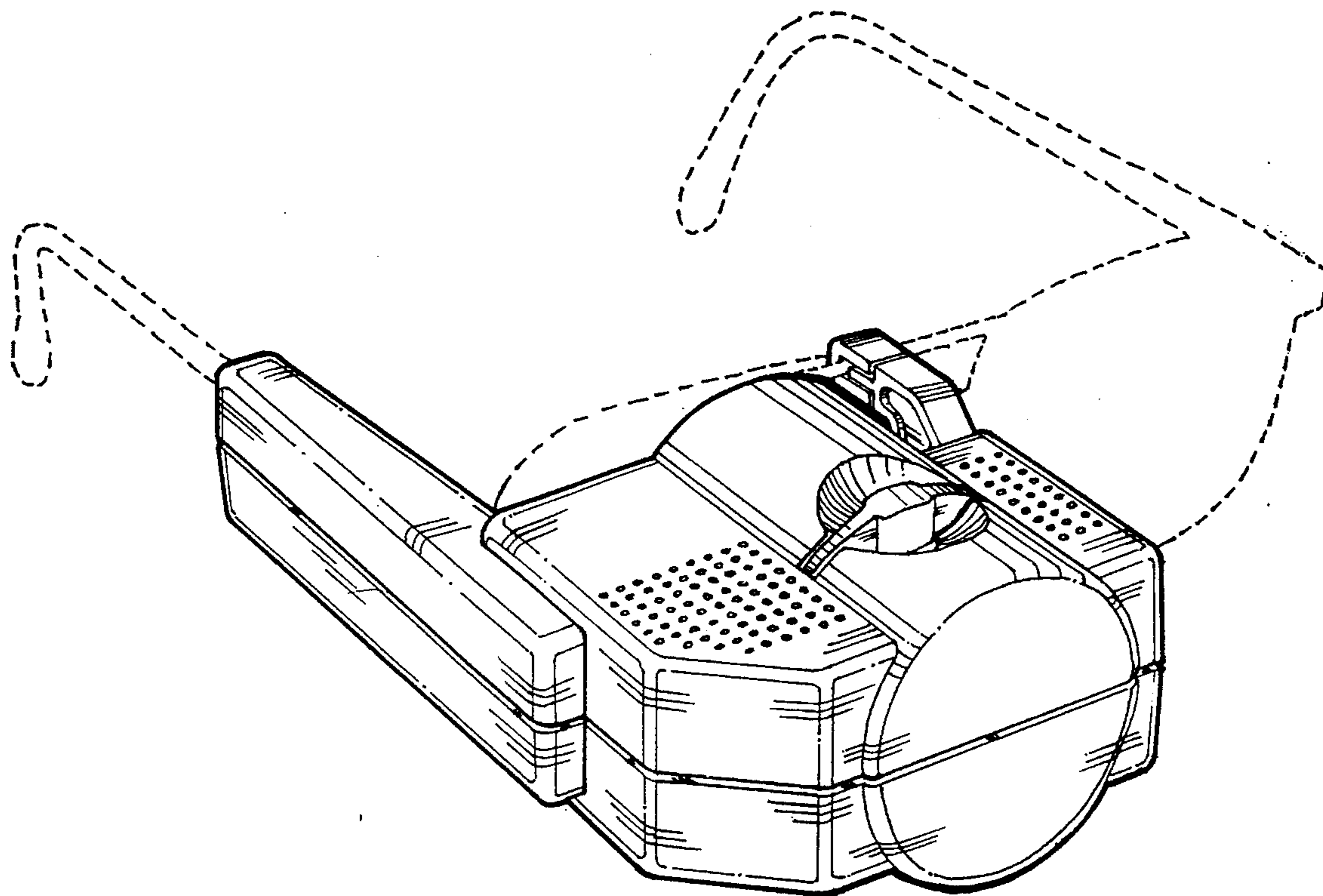
FIG. 4 is a view of the eyepiece from the front;

FIG. 5 is a view of the eyepiece from one side;

FIG. 6 is a view of the eyepiece from the opposite side; and, FIG. 7 is a cross-section through one of a plurality of hemispherical protrusions disposed in rows and columns on the upper and lower surfaces of the eyepiece.

The rear surface presented to the wearer forms no part of the claimed design.

1 Claim, 2 Drawing Sheets



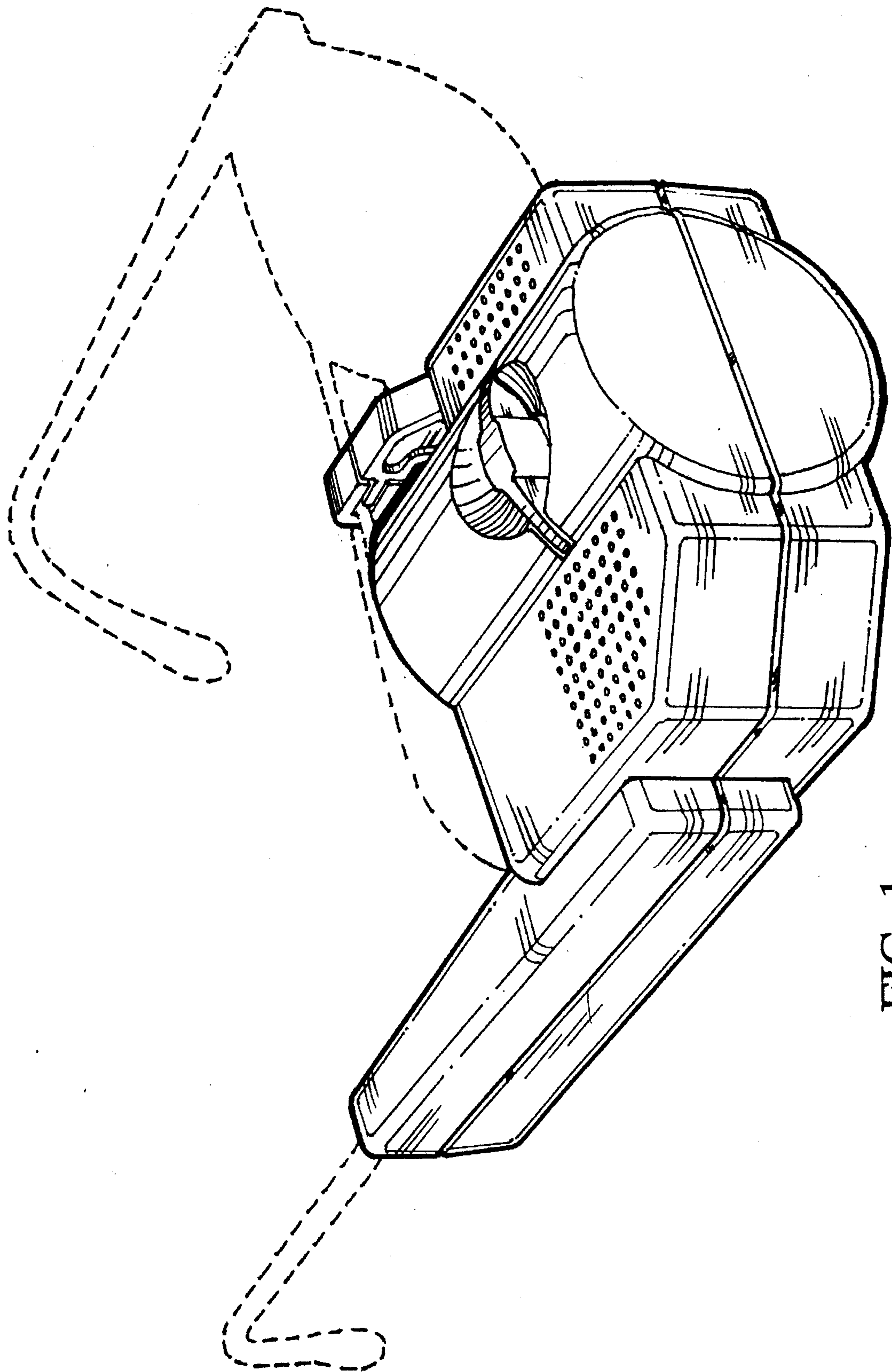


FIG. 1

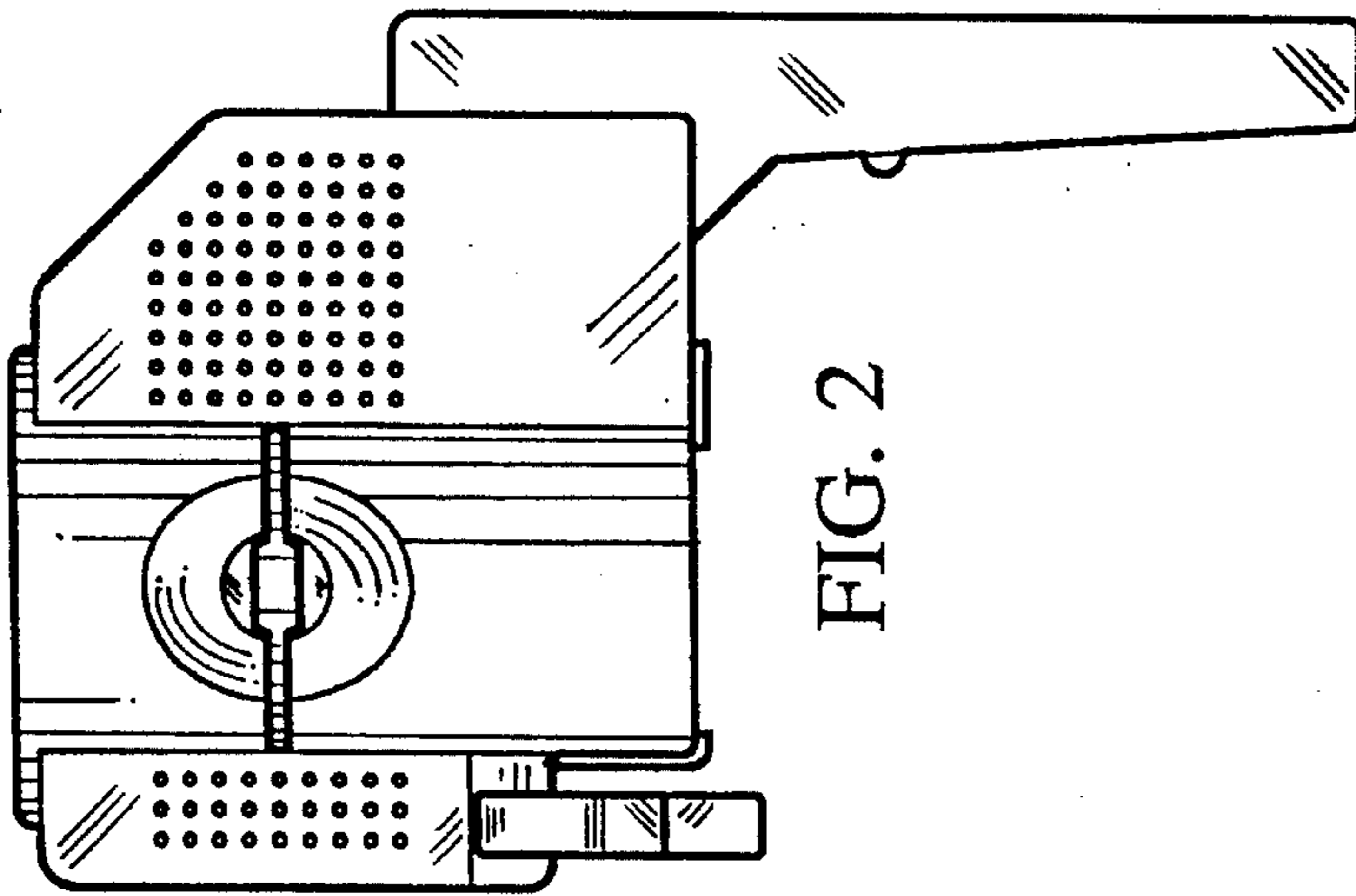


FIG. 2

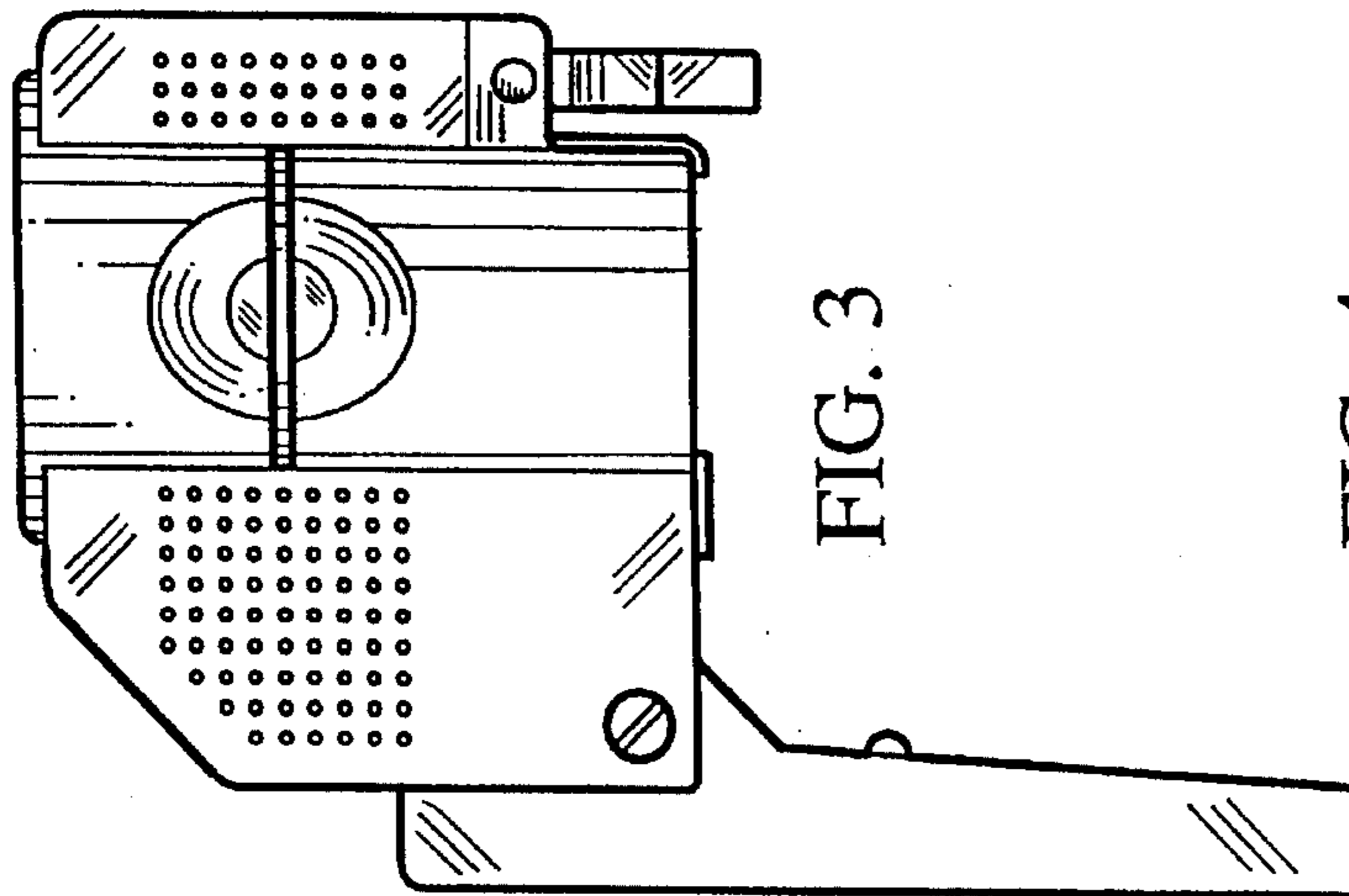


FIG. 3

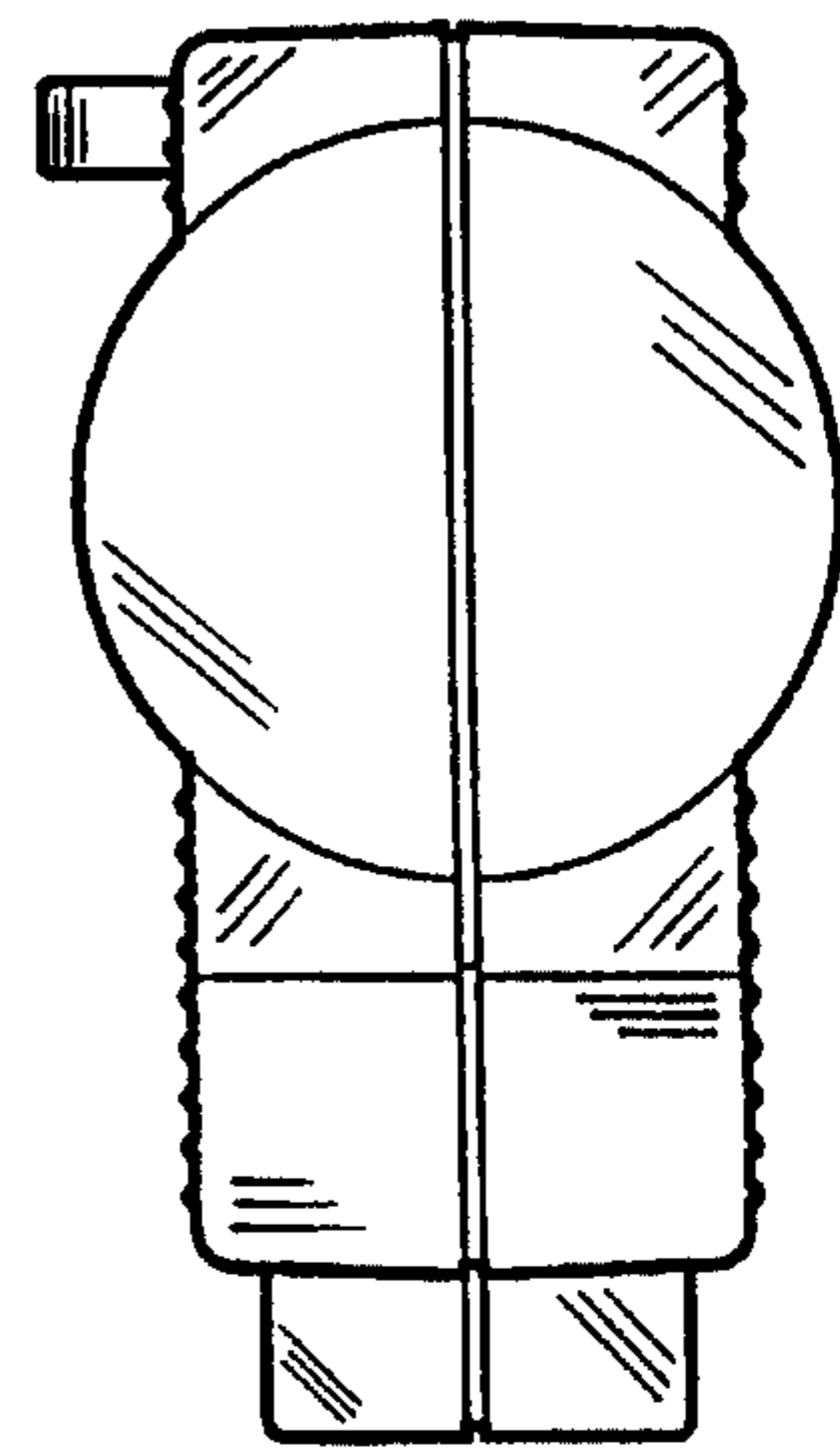


FIG. 4

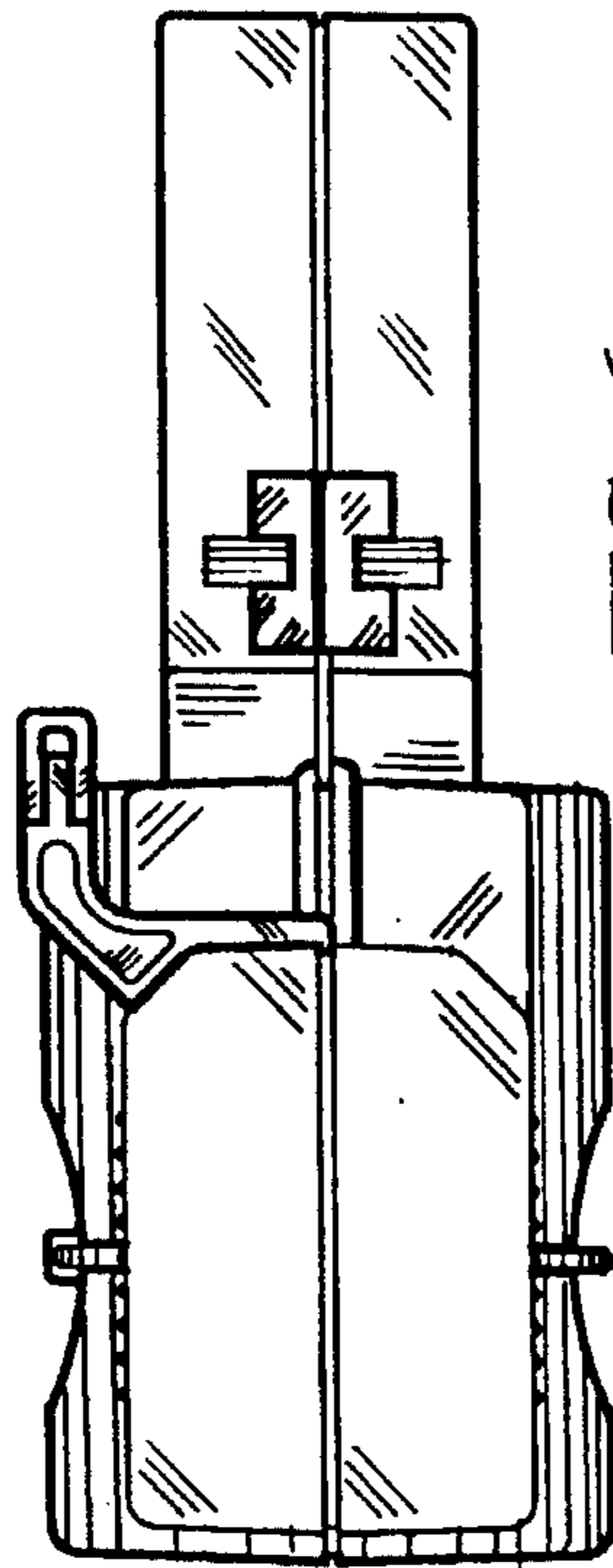


FIG. 5

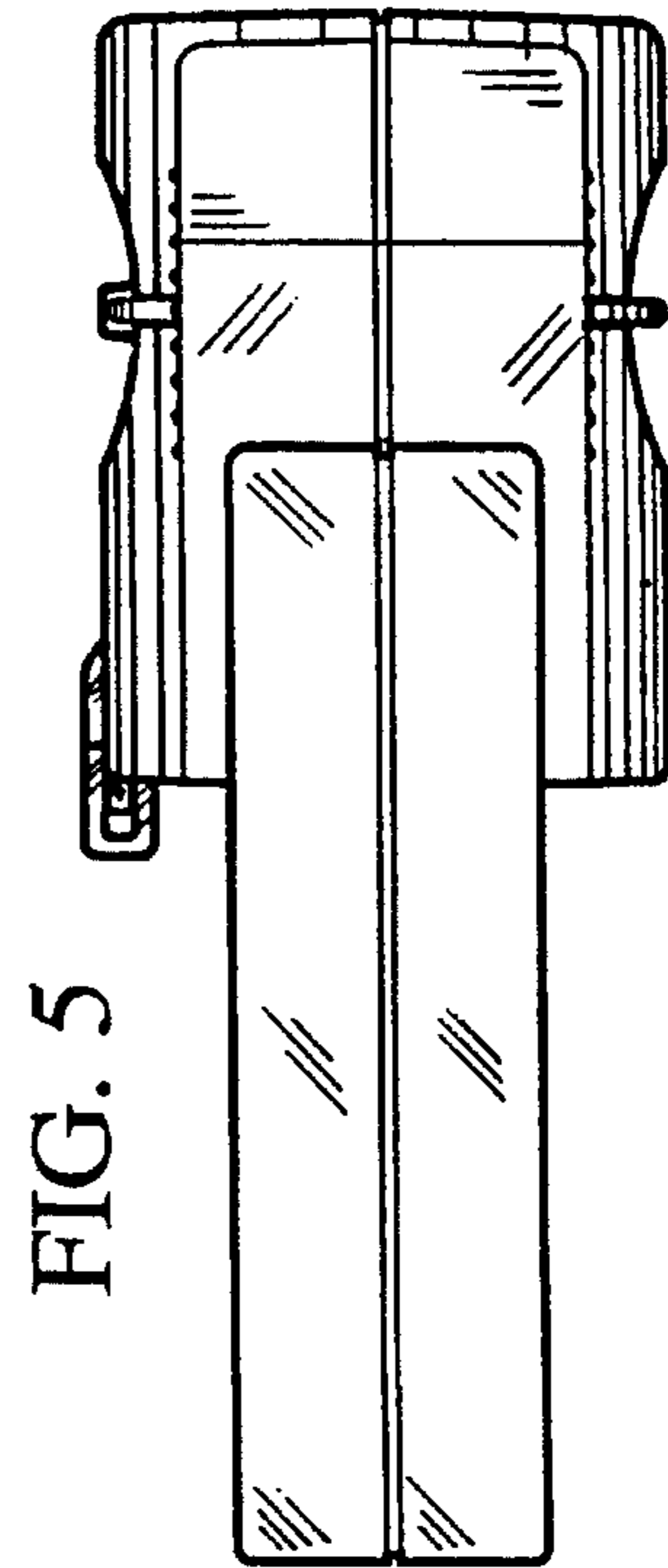


FIG. 6



FIG. 7