



US00D372038S

# United States Patent [19] Chen

[11] **Patent Number: Des. 372,038**  
[45] **Date of Patent: \*\*Jul. 23, 1996**

[54] **SUPPORTING ARM FOR DEVELOPING MACHINE**

[76] **Inventor: Chin-Fong Chen, 7F, No. 774, Chung Cheng Road, Chung Ho City, Taipei Hsien, Taiwan**

[\*\*] **Term: 14 Years**

[21] **Appl. No.: 435,326**

[22] **Filed: Nov. 13, 1989**

[52] **U.S. Cl. .... D16/250; D15/141**

[58] **Field of Search .... D16/242, 243, D16/244, 245, 246, 250; D15/138, 140, 141; 248/231.7, 282, 289.1**

[56] **References Cited**

**U.S. PATENT DOCUMENTS**

D, 163,118	5/1951	Isler .....	D15/140
D, 299,245	1/1989	Jones et al. ....	D16/245
D. 307,150	4/1990	Hemmingsen .....	D15/138
1,007,590	10/1911	Miller .....	248/282
4,733,618	3/1988	Sarro et al. ....	248/282

**FOREIGN PATENT DOCUMENTS**

62-12128	1/1987	Japan .....	354/297
1515056	6/1978	United Kingdom .....	248/289

*Primary Examiner*—Bernard Ansher  
*Assistant Examiner*—Adir Aronovich

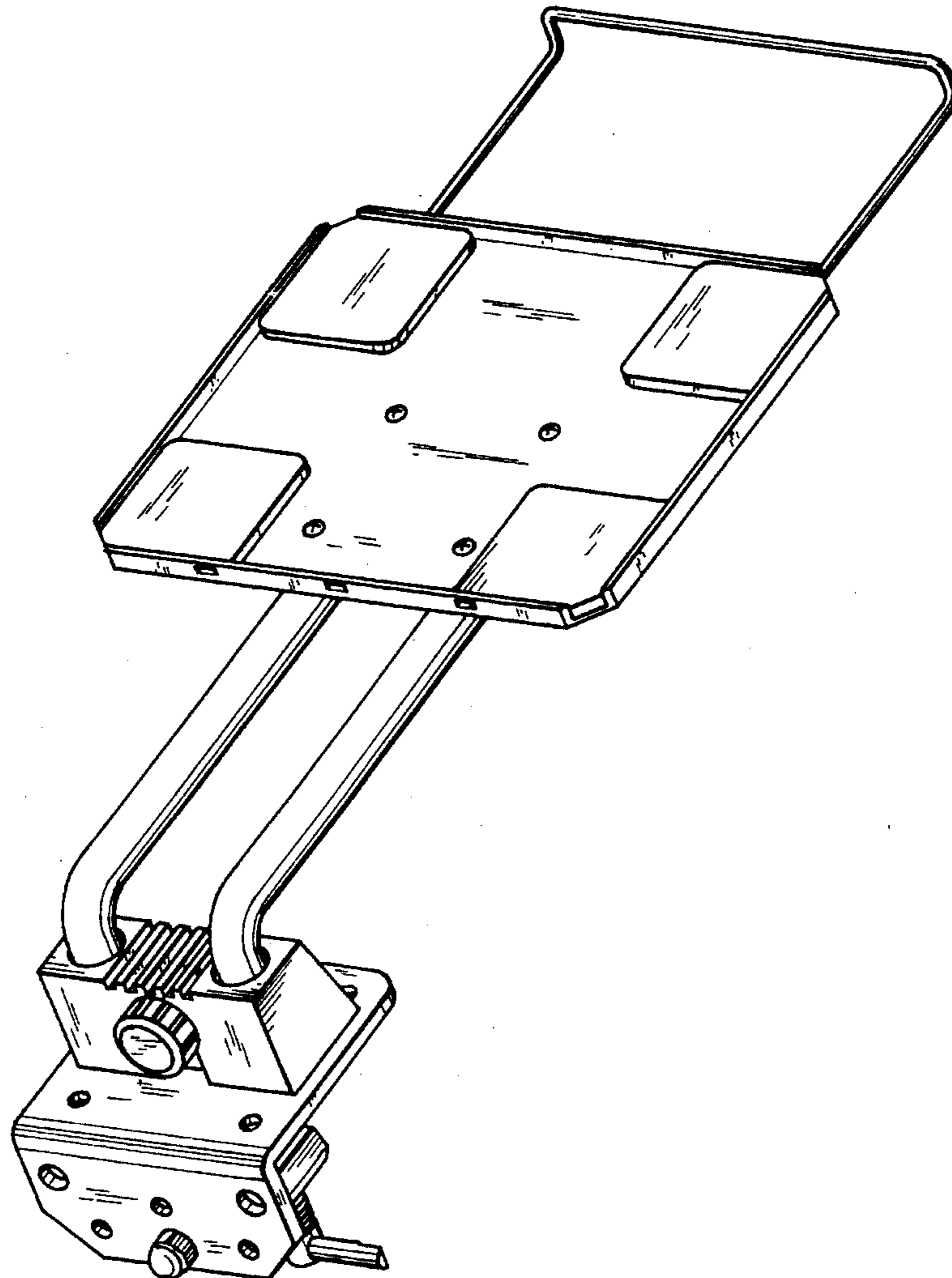
[57] **CLAIM**

The ornamental design for a supporting arm for a developing machine, as shown.

**DESCRIPTION**

FIG. 1 is the perspective view of a supporting arm for developing machine showing my design; FIG. 2 is a right side elevational view thereof; FIG. 3 is a left side elevational view thereof; FIG. 4 is a top plan view thereof; FIG. 5 is a bottom plan view thereof; FIG. 6 is a front elevational view thereof; and, FIG. 7 is a rear elevational view thereof.

**1 Claim, 4 Drawing Sheets**



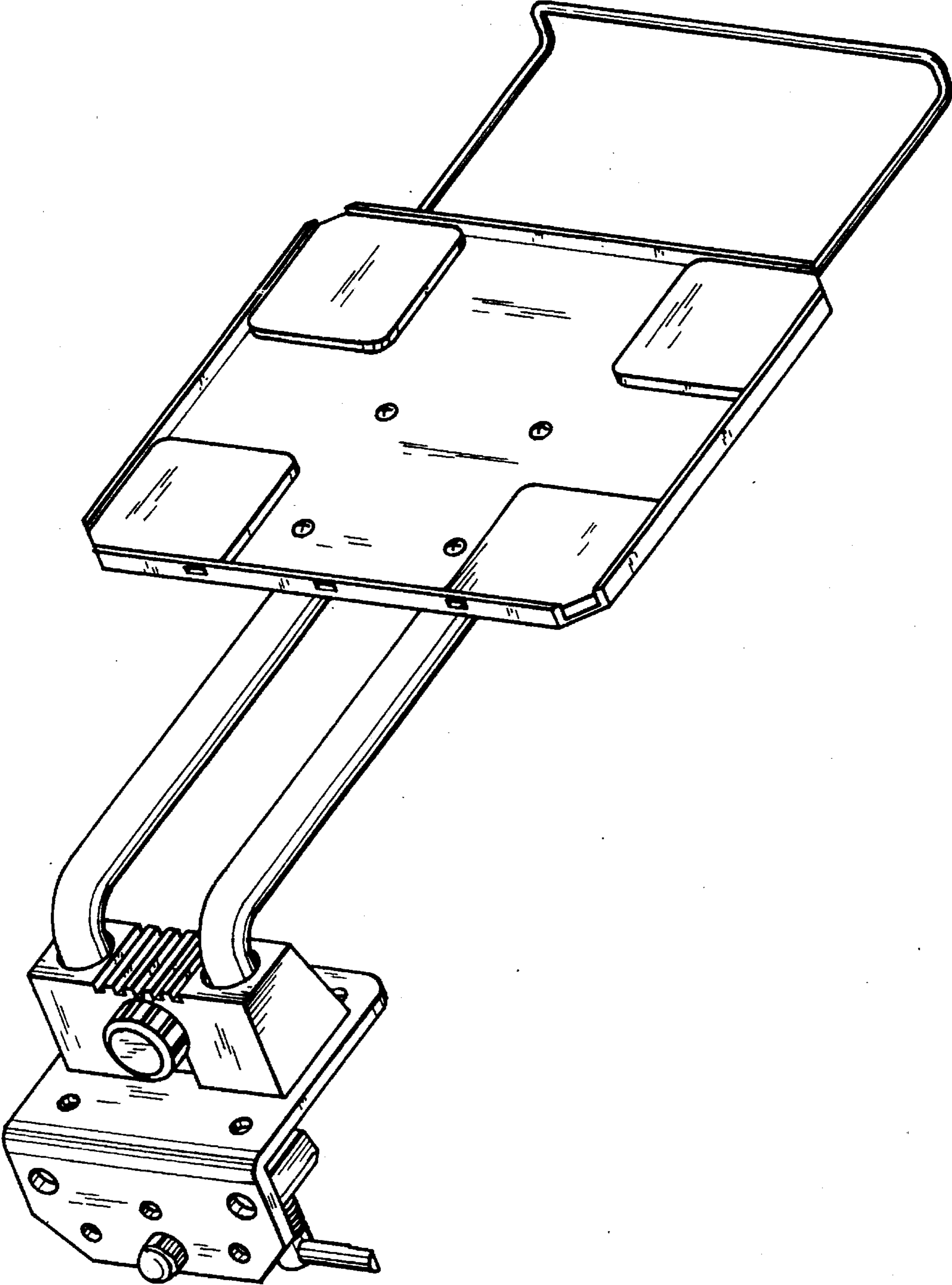


FIG. 1

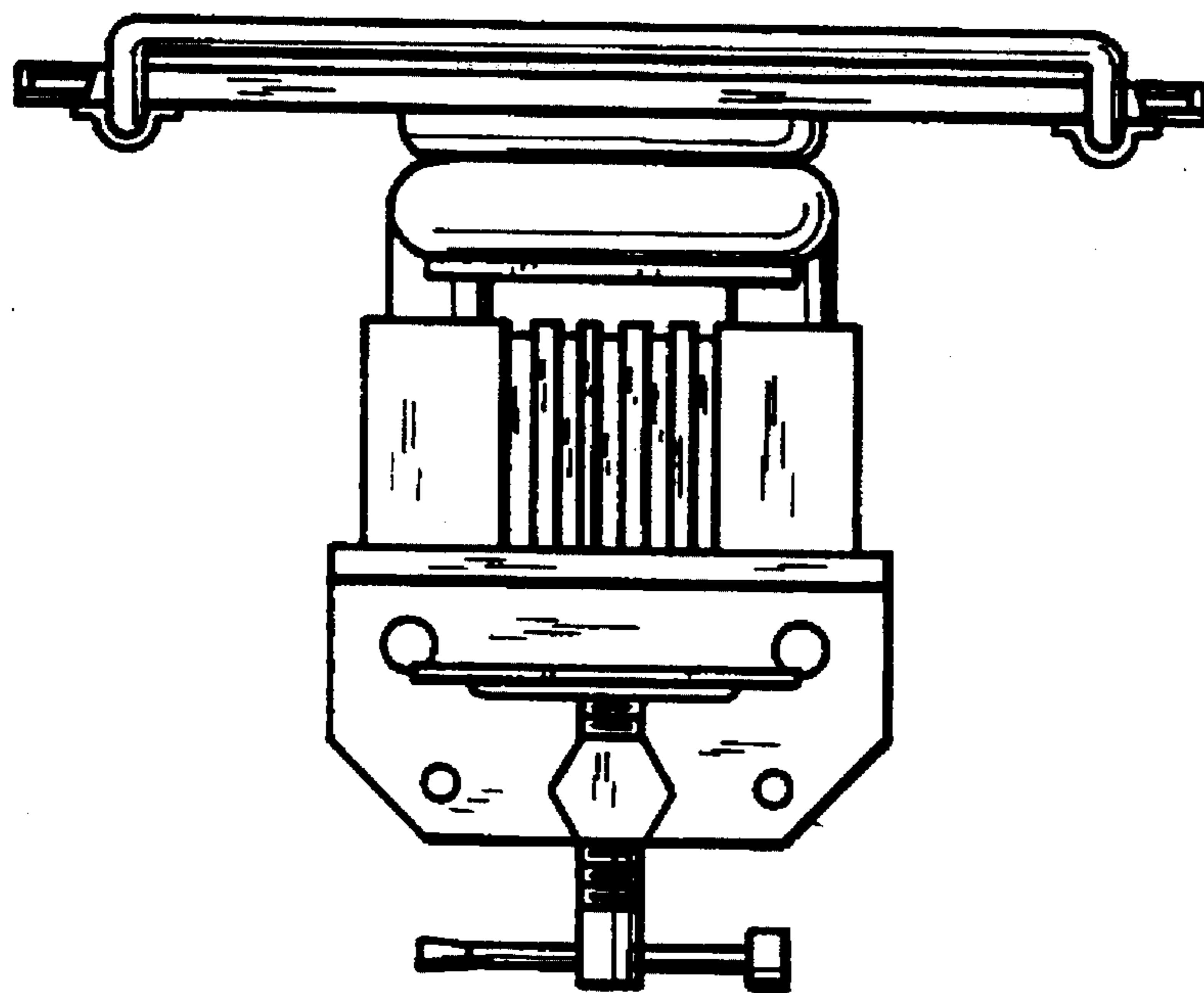


FIG. 2

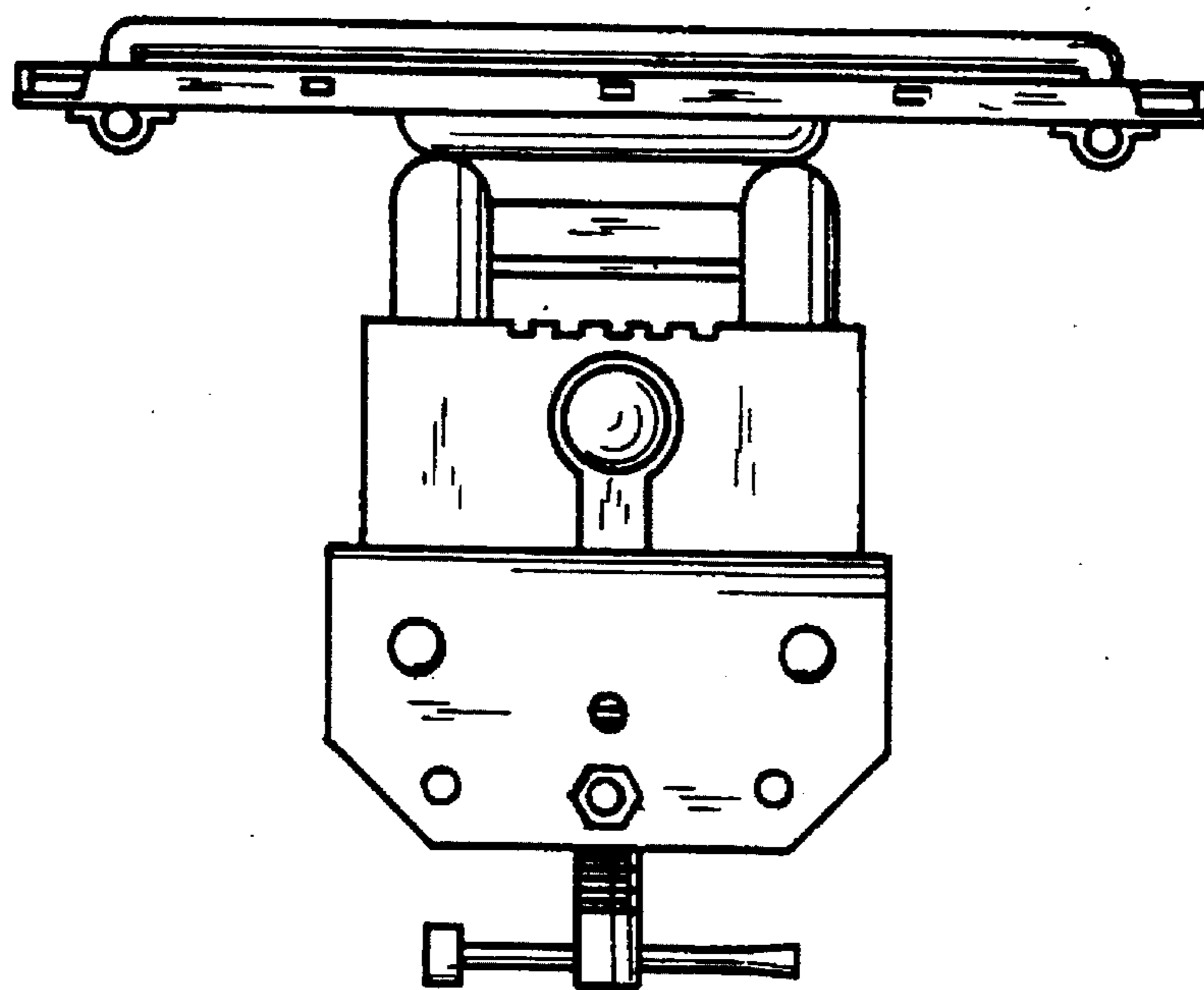


FIG. 3

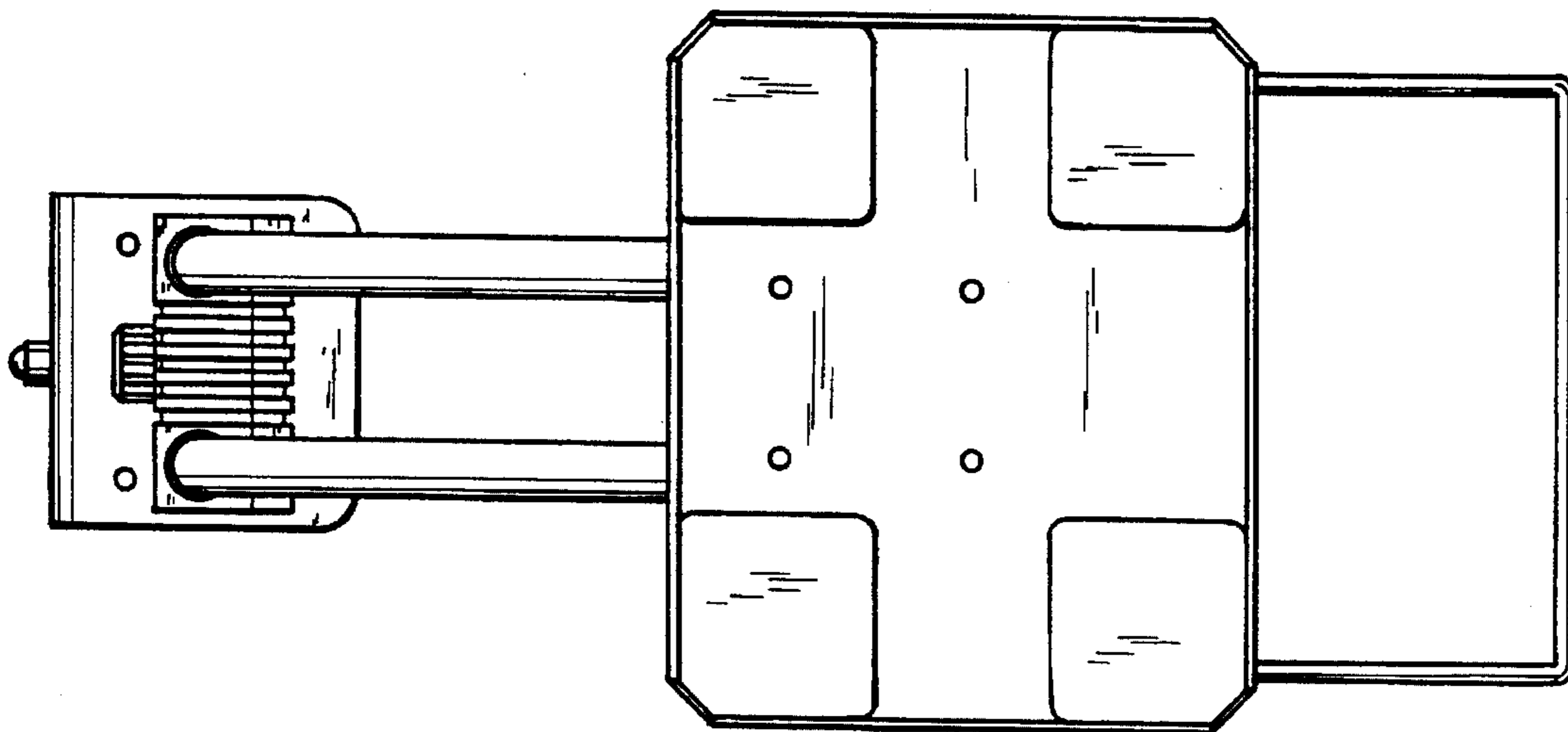


FIG. 4

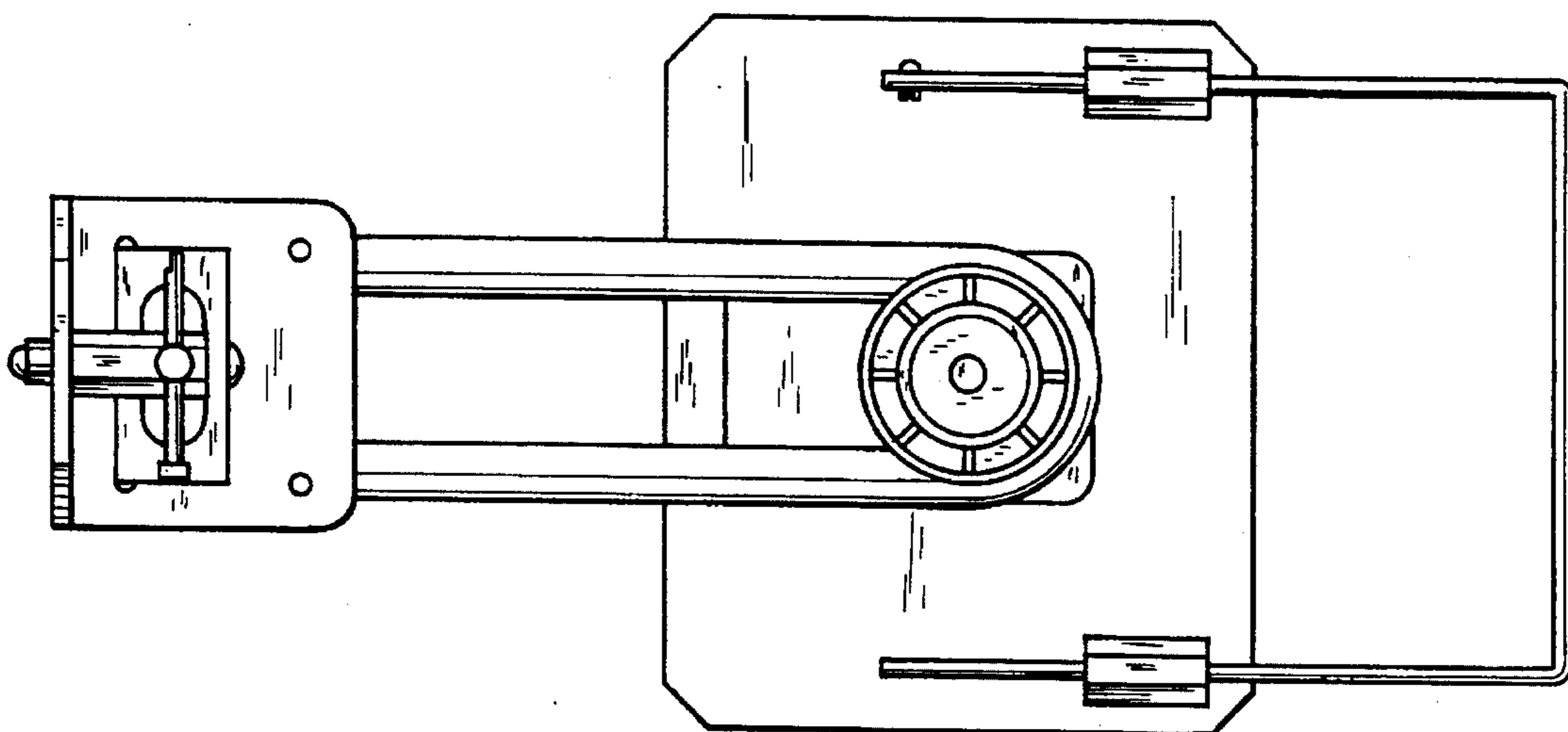


FIG. 5

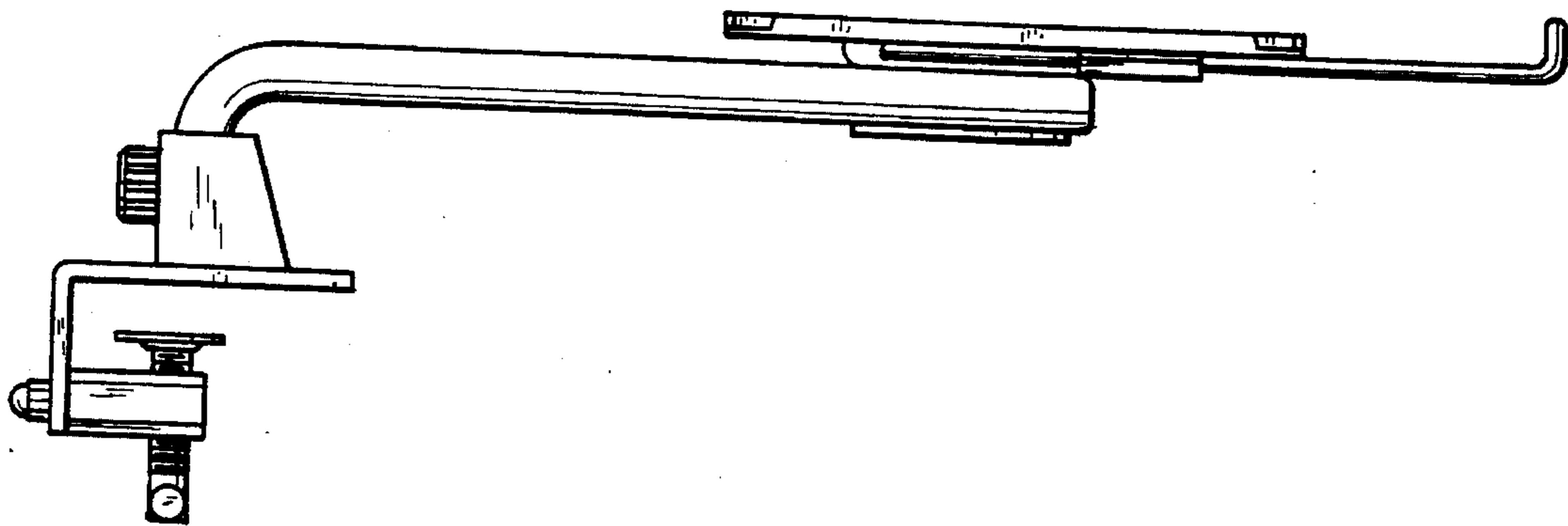


FIG. 6

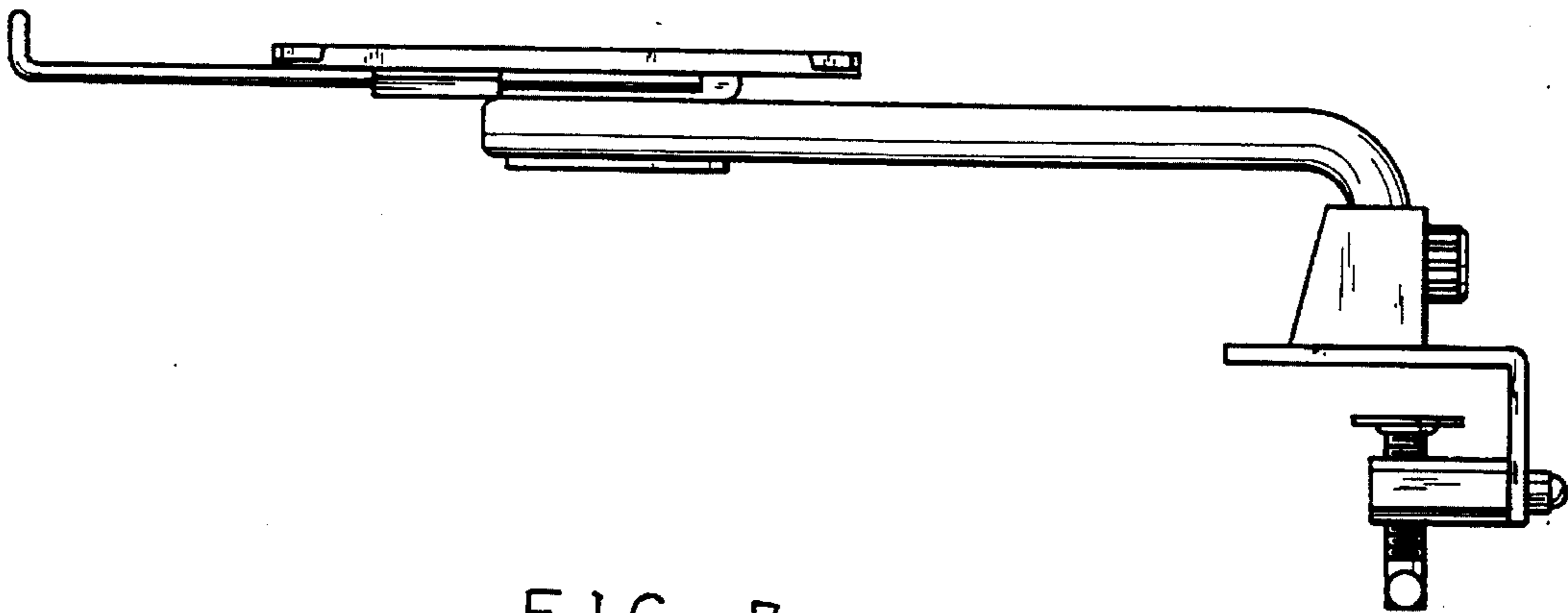


FIG. 7