



US00D372035S

# United States Patent [19] Casey

[11] Patent Number: **Des. 372,035**

[45] Date of Patent: **\*\*Jul. 23, 1996**

## [54] SNOWPLOW CONTROL PLATE

[76] Inventor: **Steve Casey**, 44 Russell St.,  
Cambridge, Mass. 02140

[\*\*] Term: **14 Years**

[21] Appl. No.: **32,697**

[22] Filed: **Dec. 23, 1994**

[52] U.S. Cl. .... **D15/11**

[58] Field of Search ..... D15/10-12, 14-17;  
D12/179; 37/234, 236, 253; 74/473 P

## [56] References Cited

### U.S. PATENT DOCUMENTS

D. 212,795	11/1968	Wolf .....	D12/179
D. 224,004	6/1972	Reilly .....	D12/179
1,927,646	9/1933	Miller .....	74/473 P
4,353,177	10/1982	Hoekstra .....	37/234
4,524,634	6/1985	Haupt .....	74/473 P
4,831,752	5/1989	Clevenger .....	37/234
5,361,519	11/1994	Ciula et al. ....	37/236

## OTHER PUBLICATIONS

John Deere Lawn-Garden Tractors, pub. Dec. 1987 p. 4  
Transmission shift lever.

*Primary Examiner*—Sandra L. Morris  
*Attorney, Agent, or Firm*—Weingarten, Schurgin, Gagnebin  
& Hayes

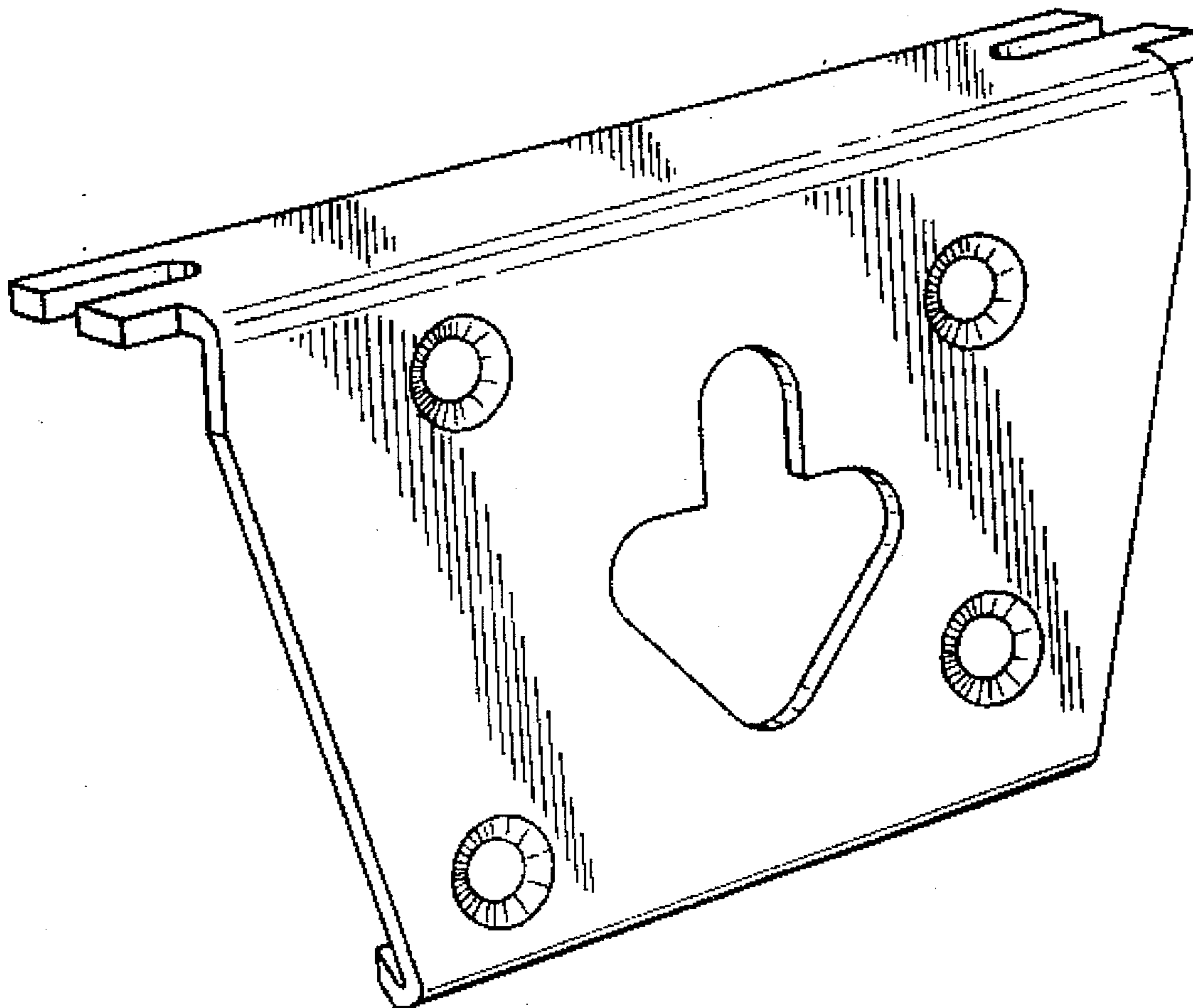
## [57] CLAIM

The ornamental design for a snowplow control plate, as  
shown and described.

## DESCRIPTION

FIG. 1 is a perspective view of the snowplow control plate;  
FIG. 2 is a reduced front elevational view thereof;  
FIG. 3 is a reduced side elevational view thereof;  
FIG. 4 is a reduced rear elevational view thereof;  
FIG. 5 is a reduced top plan view thereof; and,  
FIG. 6 is a reduced bottom plan view thereof.

**1 Claim, 2 Drawing Sheets**



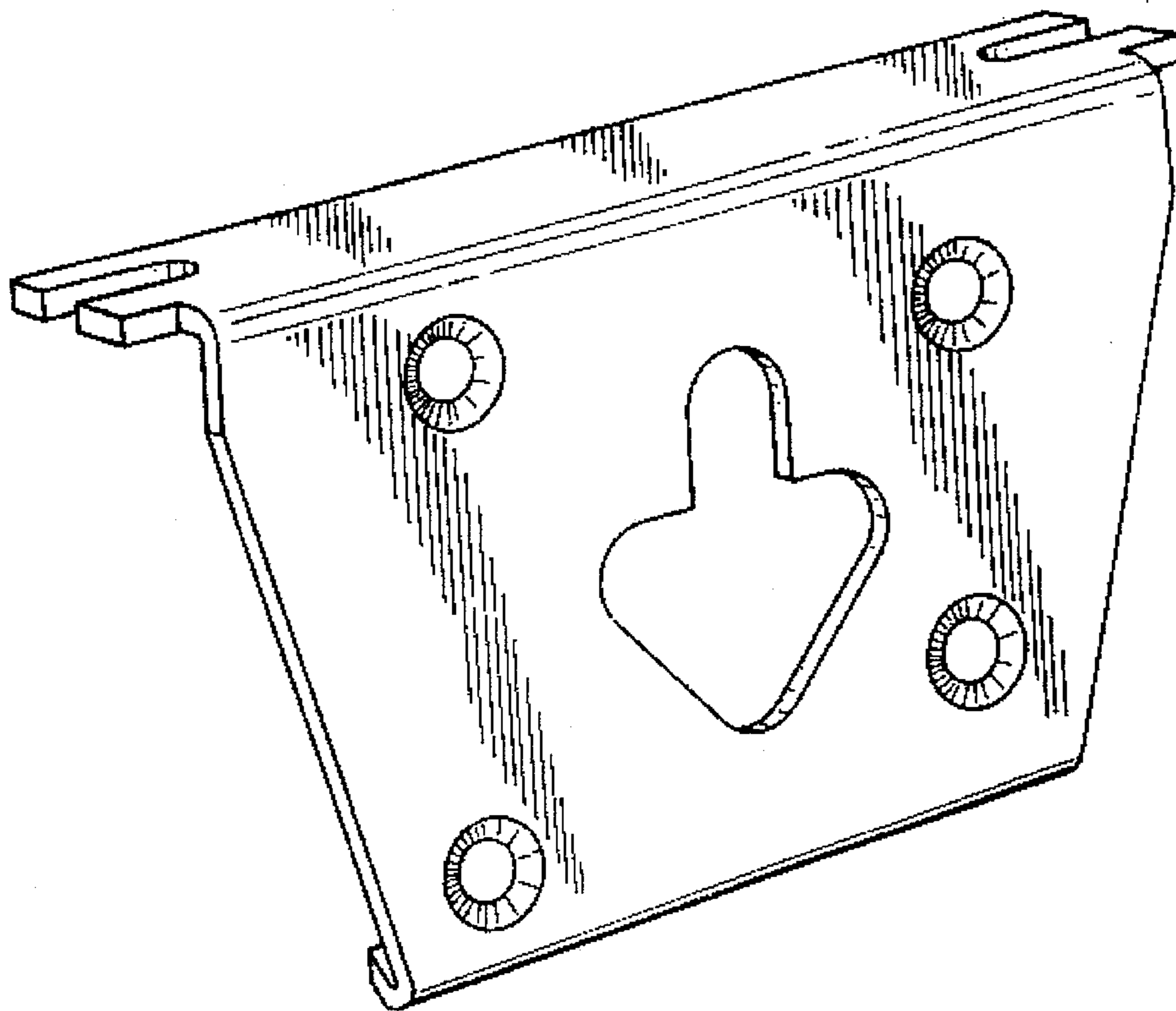


FIG. 1

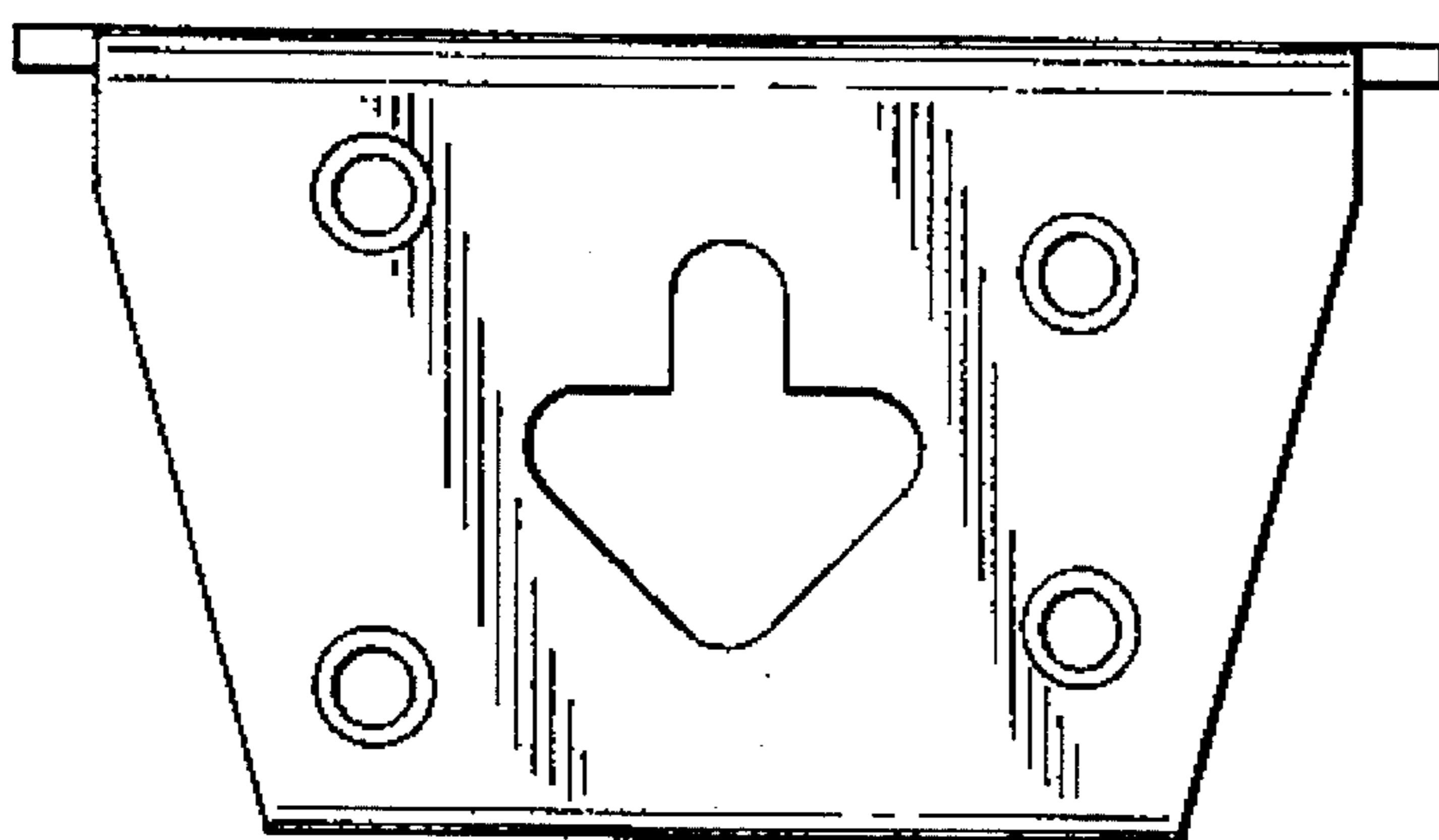


FIG. 2

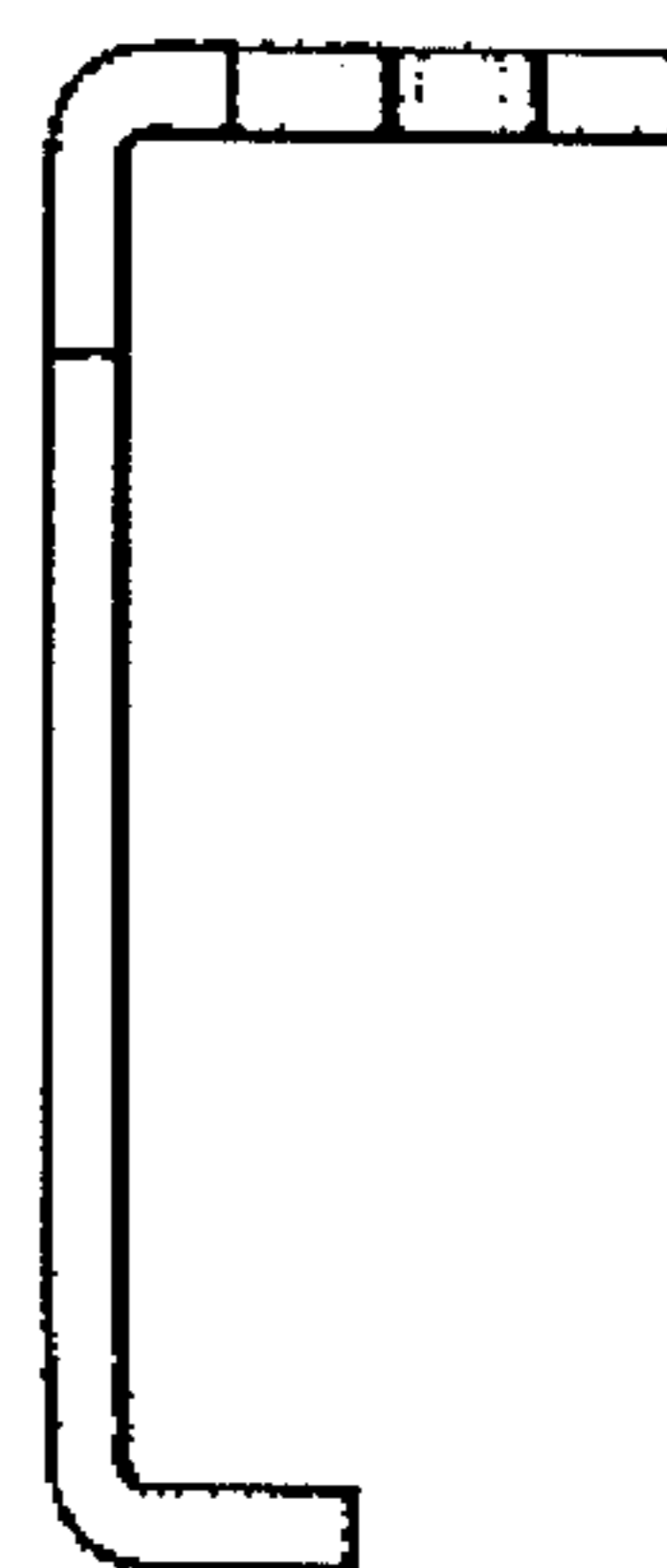


FIG. 3

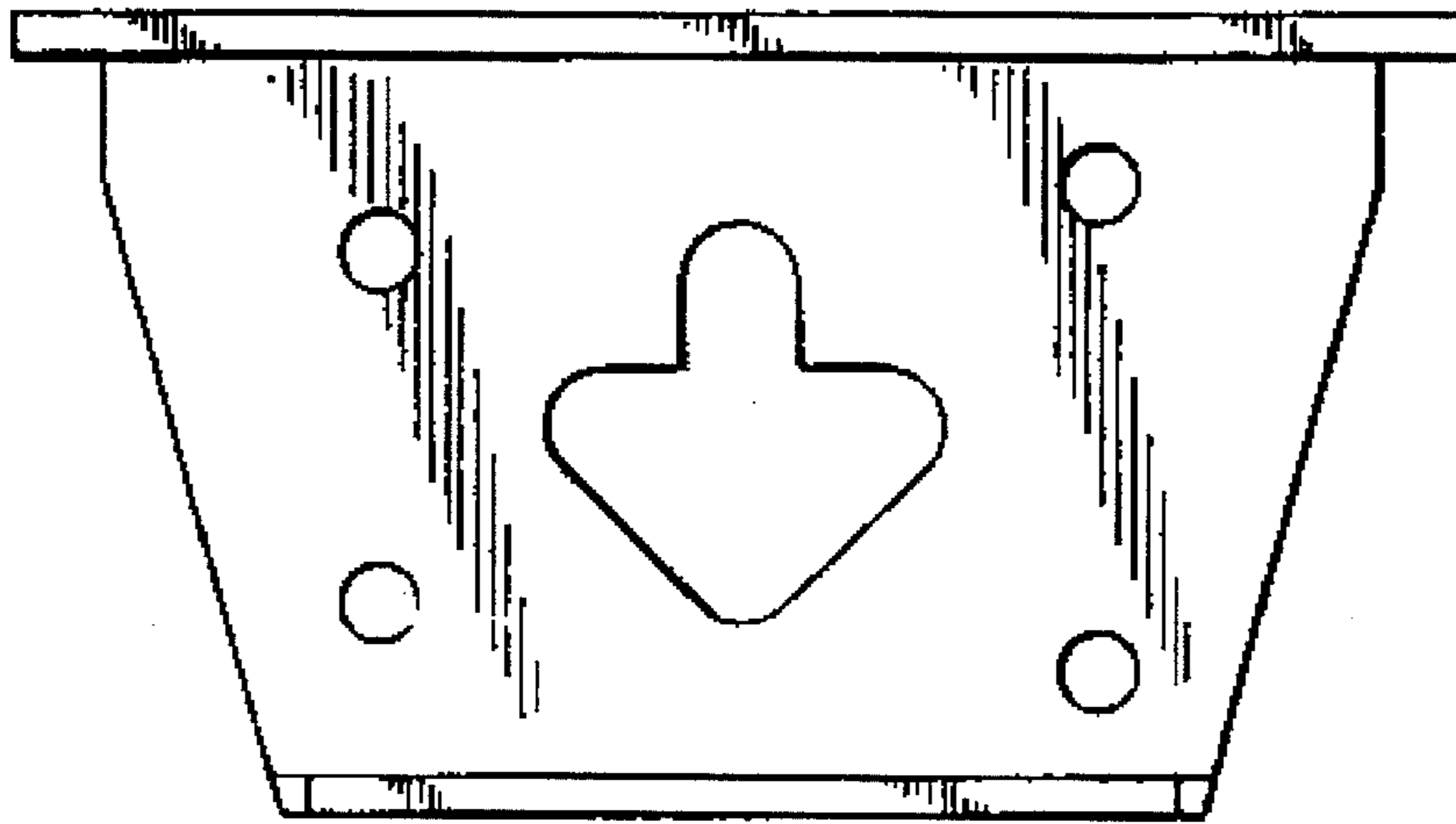


FIG. 4

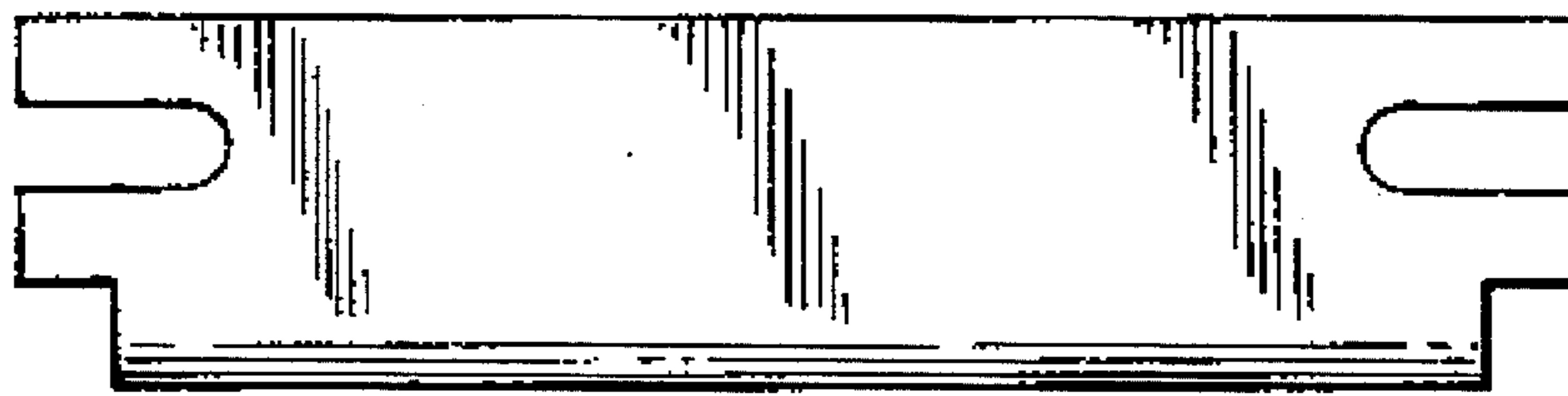


FIG. 5



FIG. 6