



US00D372034S

# United States Patent [19]

Handzel et al.

[11] Patent Number: **Des. 372,034**

[45] Date of Patent: **\*\*Jul. 23, 1996**

[54] **RECIPROCATING PUMP**

[75] Inventors: **James J. Handzel**, New Hope; **Kent P. Hand**, Coon Rapids; **Bradley K. Voigt**, Big Lake; **Scott C. Losey**, Minneapolis, all of Minn.

[73] Assignee: **Graco Inc.**, Minneapolis, Minn.

[\*\*] Term: **14 Years**

[21] Appl. No.: **38,108**

[22] Filed: **Apr. 28, 1995**

**Related U.S. Application Data**

[63] Continuation of Ser. No. 3,825, Mar. 4, 1993, abandoned.  
[52] U.S. Cl. .... **D15/7**  
[58] Field of Search ..... **D15/7-9; 417/415, 417/419, 321, 410 A-D, 411, 254-258**

[56] **References Cited**

**U.S. PATENT DOCUMENTS**

D. 266,091 9/1982 Richards et al. .... **D15/7**

4,568,249 2/1986 Todd ..... 417/254  
4,614,479 9/1986 Liu ..... 417/411  
4,699,572 10/1987 Balkau et al. .... 417/254

*Primary Examiner*—Ralf Seifert  
*Attorney, Agent, or Firm*—Douglas B. Farrow

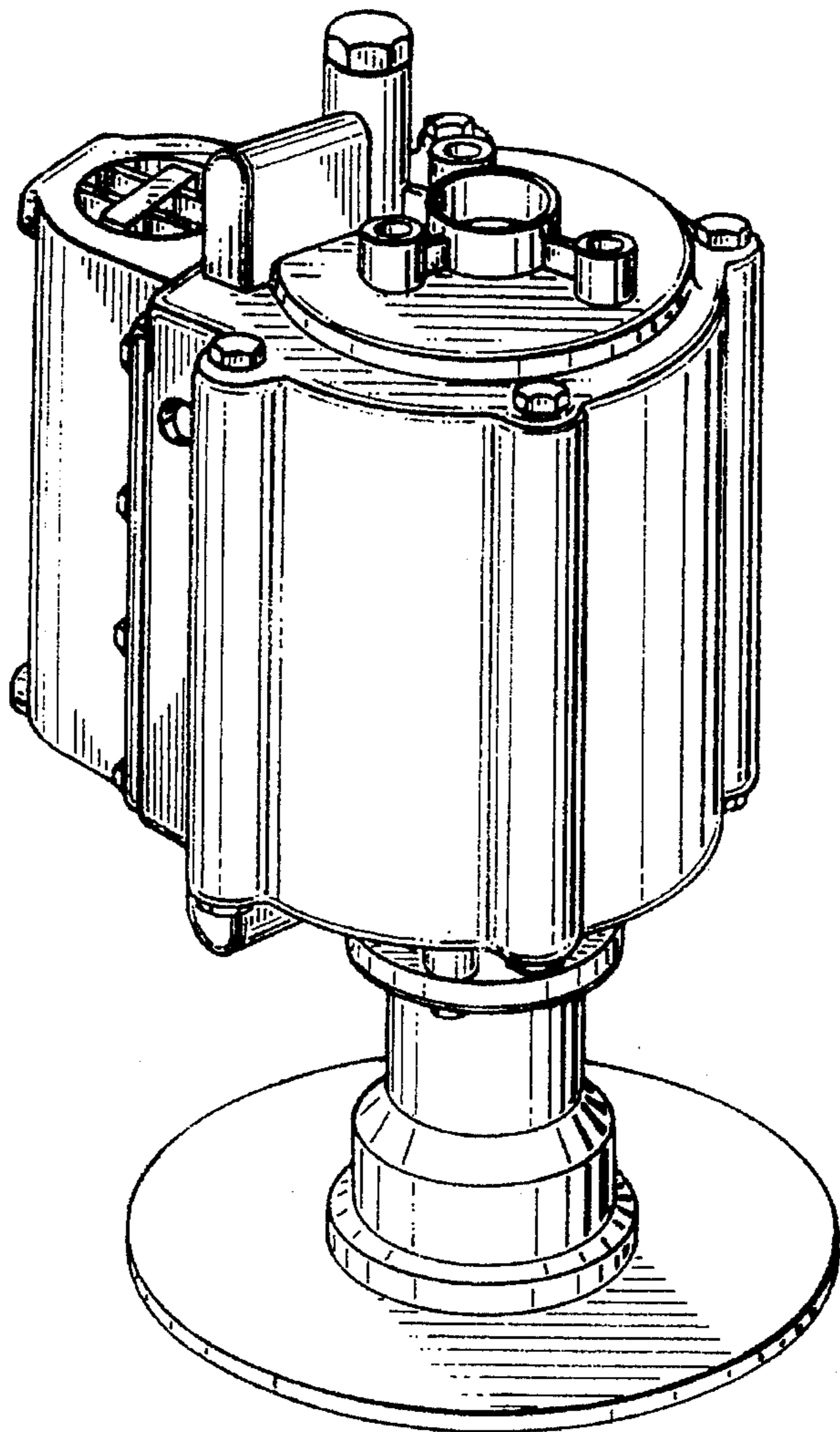
[57] **CLAIM**

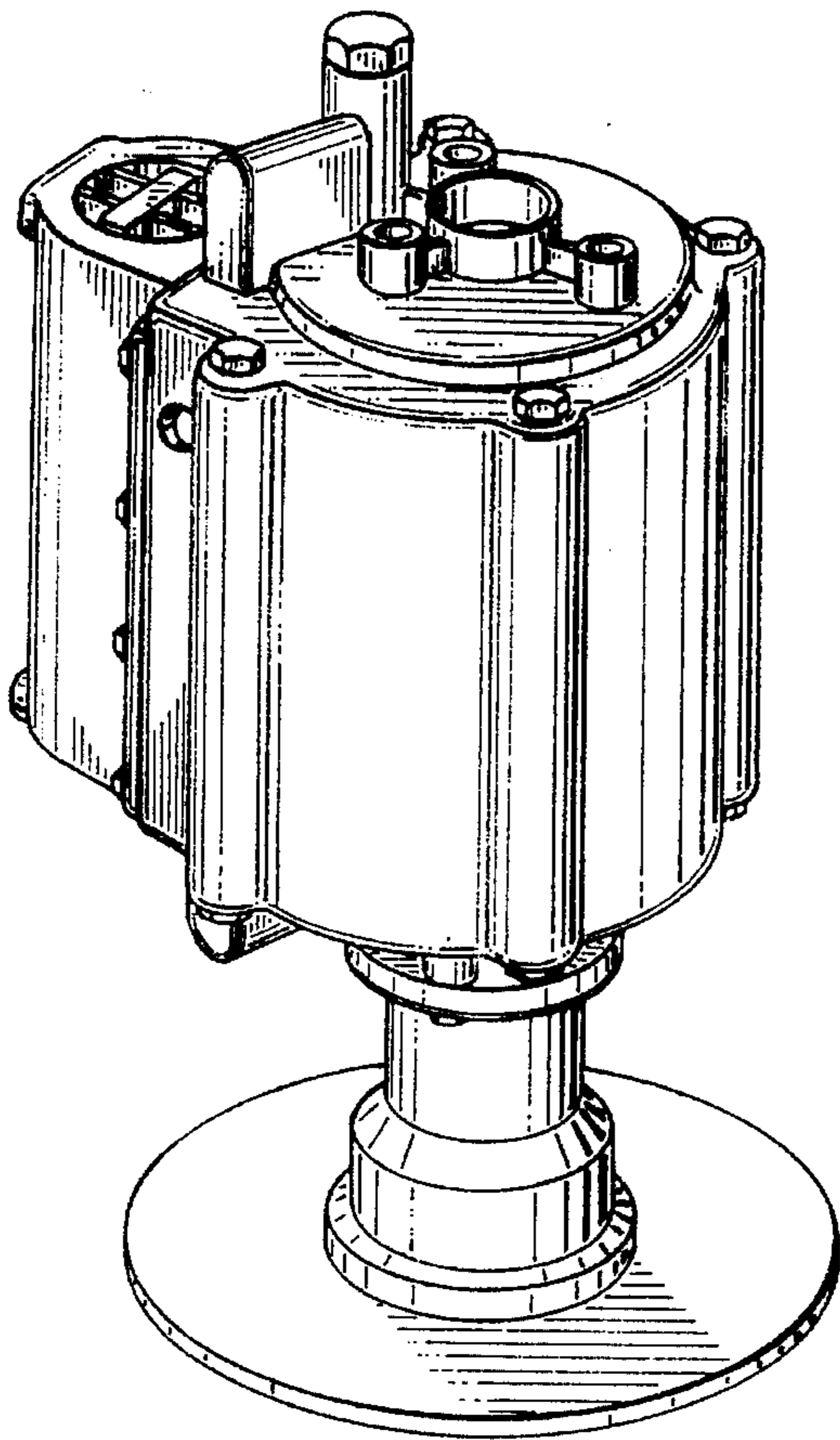
The ornamental design for the reciprocating pump, as shown and described.

**DESCRIPTION**

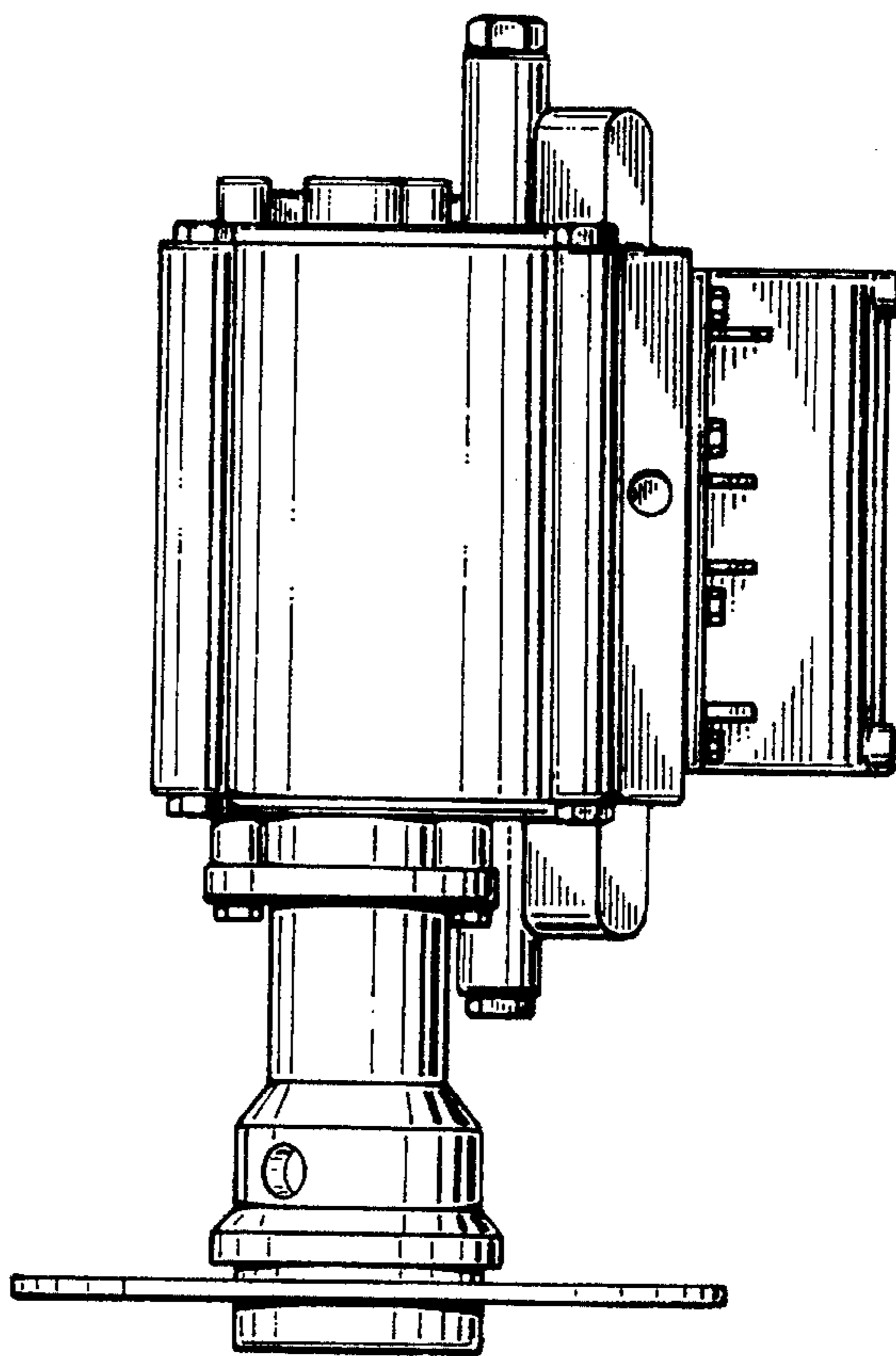
FIG. 1 is a top perspective view of the reciprocating pump; FIG. 2 is a front elevation view thereof; FIG. 3 is a rear elevation view thereof; FIG. 4 is a top plan view thereof; FIG. 5 is a right elevation view thereof; and FIG. 6 is a left side elevation view thereof; and, FIG. 7 is a bottom plan view thereof.

**1 Claim, 3 Drawing Sheets**

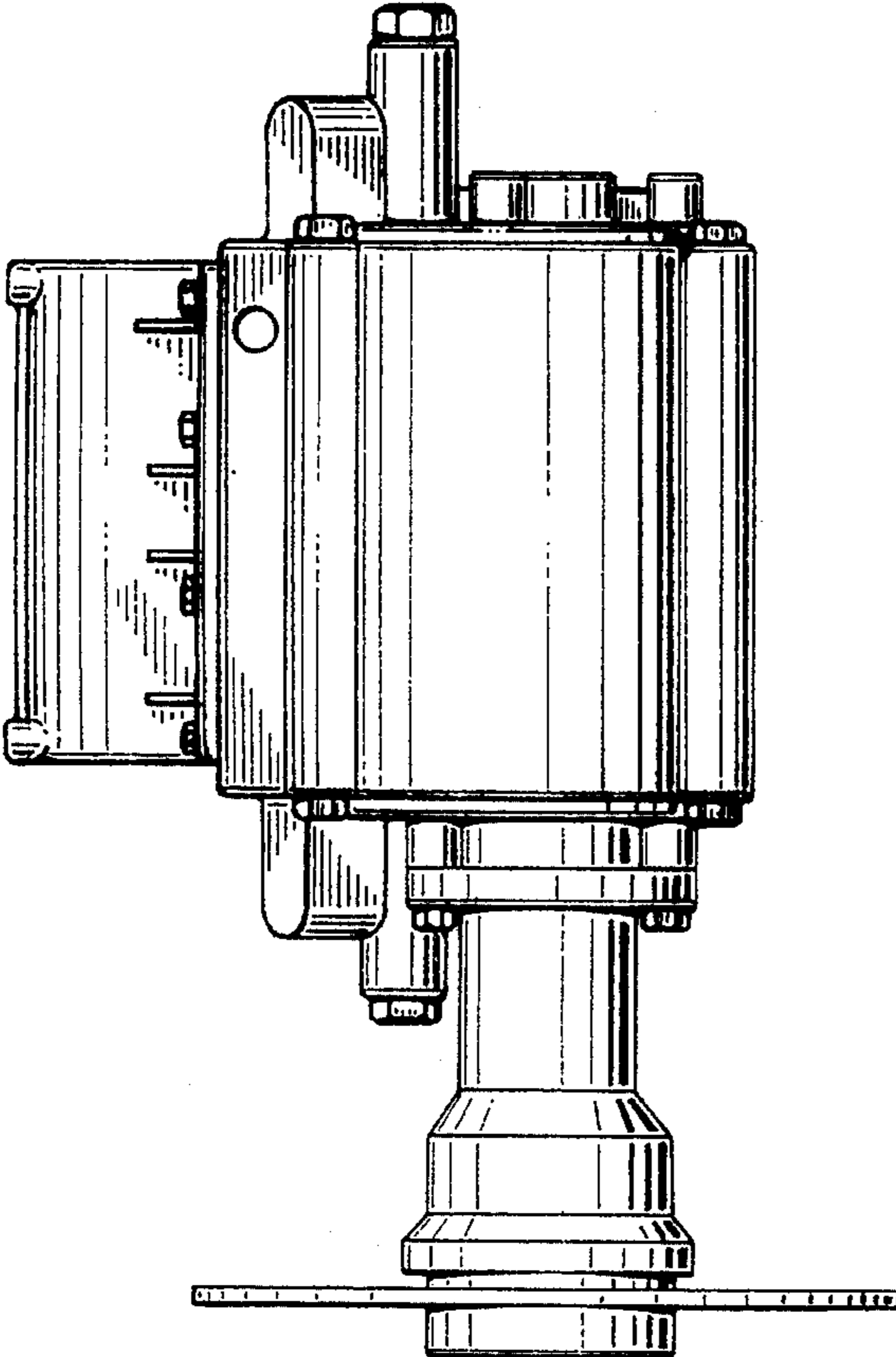




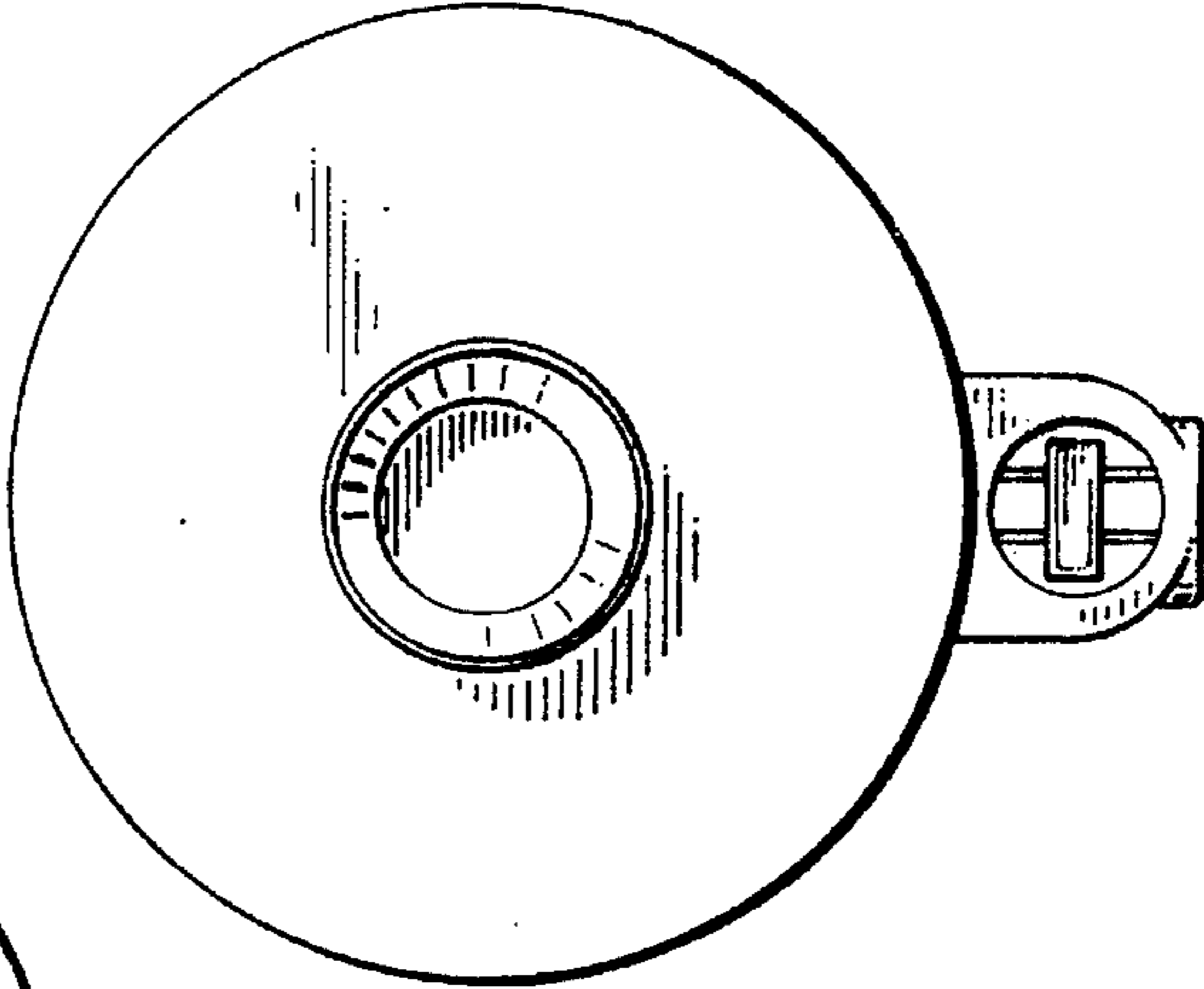
*Fig. 1*



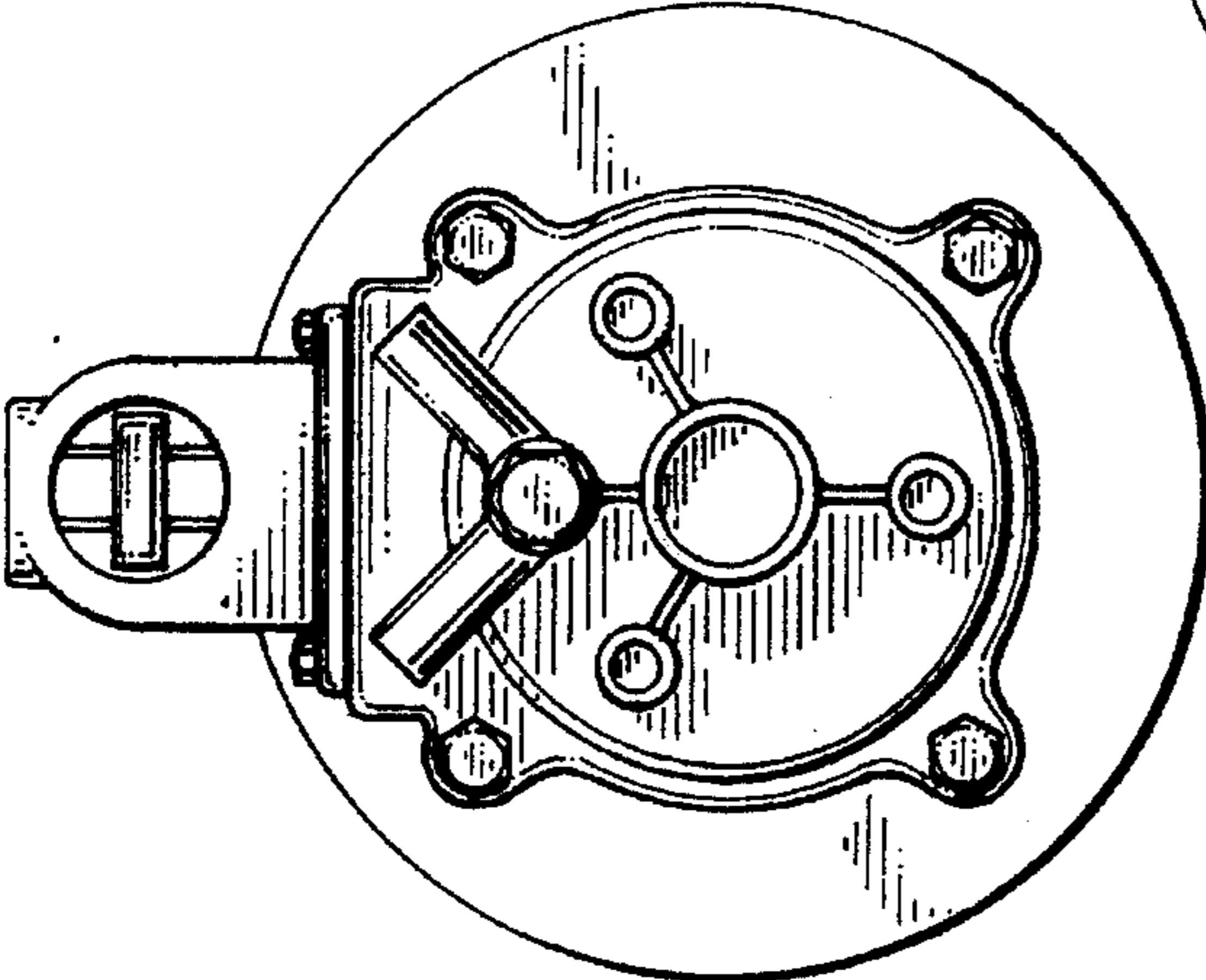
*Fig. 2*



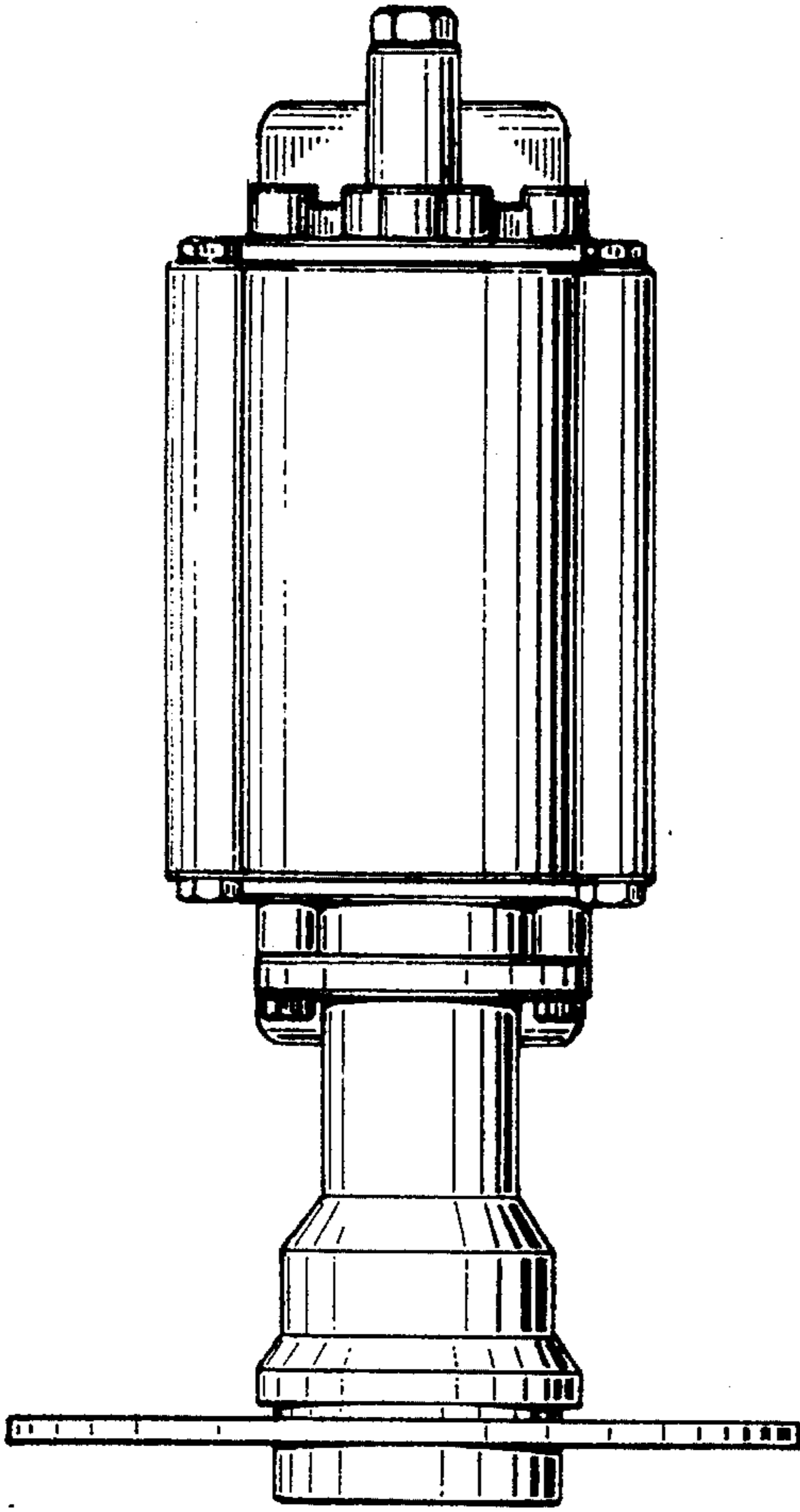
*Fig. 3*



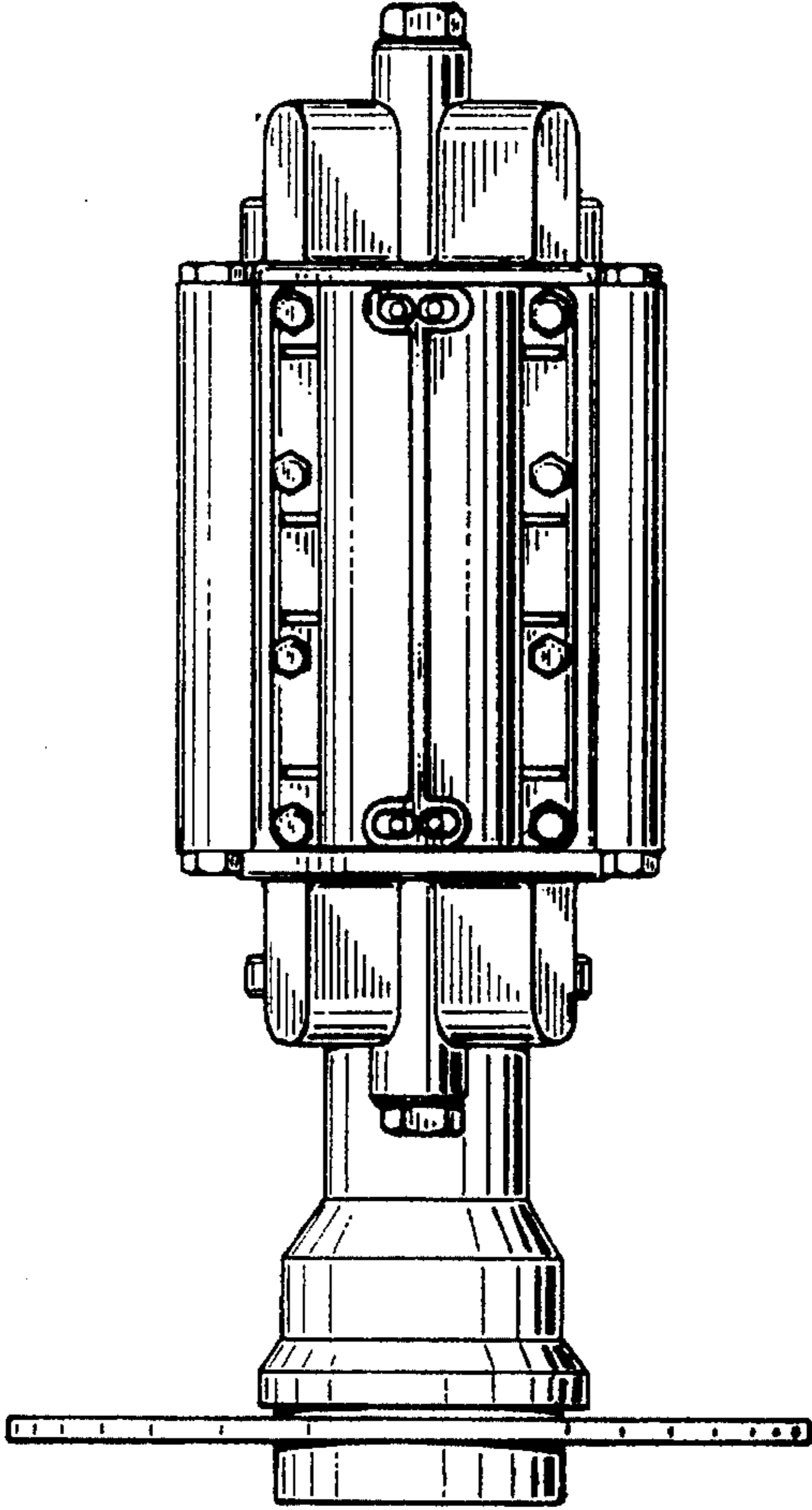
*Fig. 7*



*Fig. 4*



*Fig. 5*



*Fig. 6*



**UNITED STATES PATENT AND TRADEMARK OFFICE**  
**Certificate**

Patent No. Des. 372,034

Patented: July 23, 1996

On petition requesting issuance of a certificate for correction of inventorship pursuant to 35 U. S. C. 256, it has been found that the above-identified patent, through error and without deceptive intent, improperly sets forth the inventorship.

Accordingly, it is hereby certified that the correct inventorship of this patent is: James J. Handzel, New Hope, Minn.; Kent P. Hand, Coon Rapids, Minn.; Bradley K. Voigt, Big Lake, Minn.; Scott C. Losey, Minneapolis, Minn. and Thomas E. Pauly, Roseville, Minn.

Signed and Sealed this Seventh Day of October, 1997.

**LOUIS S. ZARFAS**  
Art Unit 2904