



US00D372026S

# United States Patent [19]

Akiyama et al.

[11] Patent Number: **Des. 372,026**

[45] Date of Patent: **\*\*Jul. 23, 1996**

[54] TELEVISION SET

[75] Inventors: **Osamu Akiyama; Yoshito Fujii; Kazumi Osaka; Yutaka Ito**, all of Tochigi-ken, Japan

[73] Assignee: **Sharp Kabushiki Kaisha**, Osaka, Japan

[\*\*] Term: **14 Years**

[21] Appl. No.: **38,718**

[22] Filed: **May 10, 1995**

### [30] Foreign Application Priority Data

Nov. 10, 1994 [JP] Japan ..... 6-34437

[52] U.S. Cl. .... **D14/126**

[58] Field of Search ..... D14/113, 124-134; 312/72; 348/825, 836, 838

### [56] References Cited

#### U.S. PATENT DOCUMENTS

- D. 336,645 6/1993 Saito et al. .
- D. 337,113 7/1993 Saito et al. .
- D. 342,497 12/1993 Saito et al. .
- D. 342,501 12/1993 Saeki et al. .

- D. 342,509 12/1993 Saito et al. .
- D. 351,155 10/1994 Usami et al. .... D14/126
- D. 351,157 10/1994 Usami et al. .
- D. 357,244 4/1995 Usami et al. .
- D. 357,245 4/1995 Usami et al. .
- D. 357,472 4/1995 Usami et al. .
- D. 359,731 6/1995 Higashibata et al. .... D14/126

*Primary Examiner*—B. J. Bullock  
*Assistant Examiner*—Richelle Shelton  
*Attorney, Agent, or Firm*—Nixon & Vanderhye

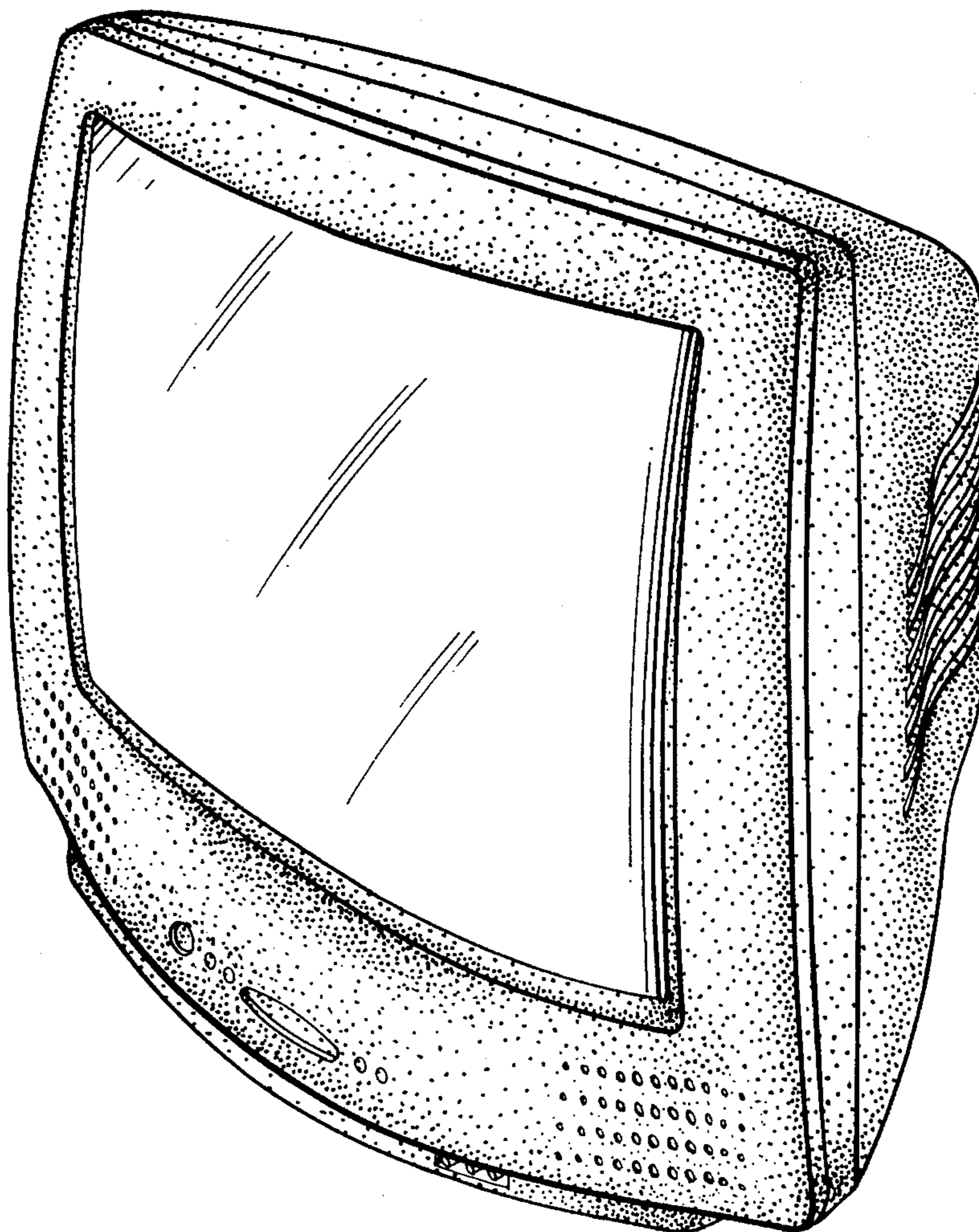
### [57] CLAIM

The ornamental design for a television set, as shown and described.

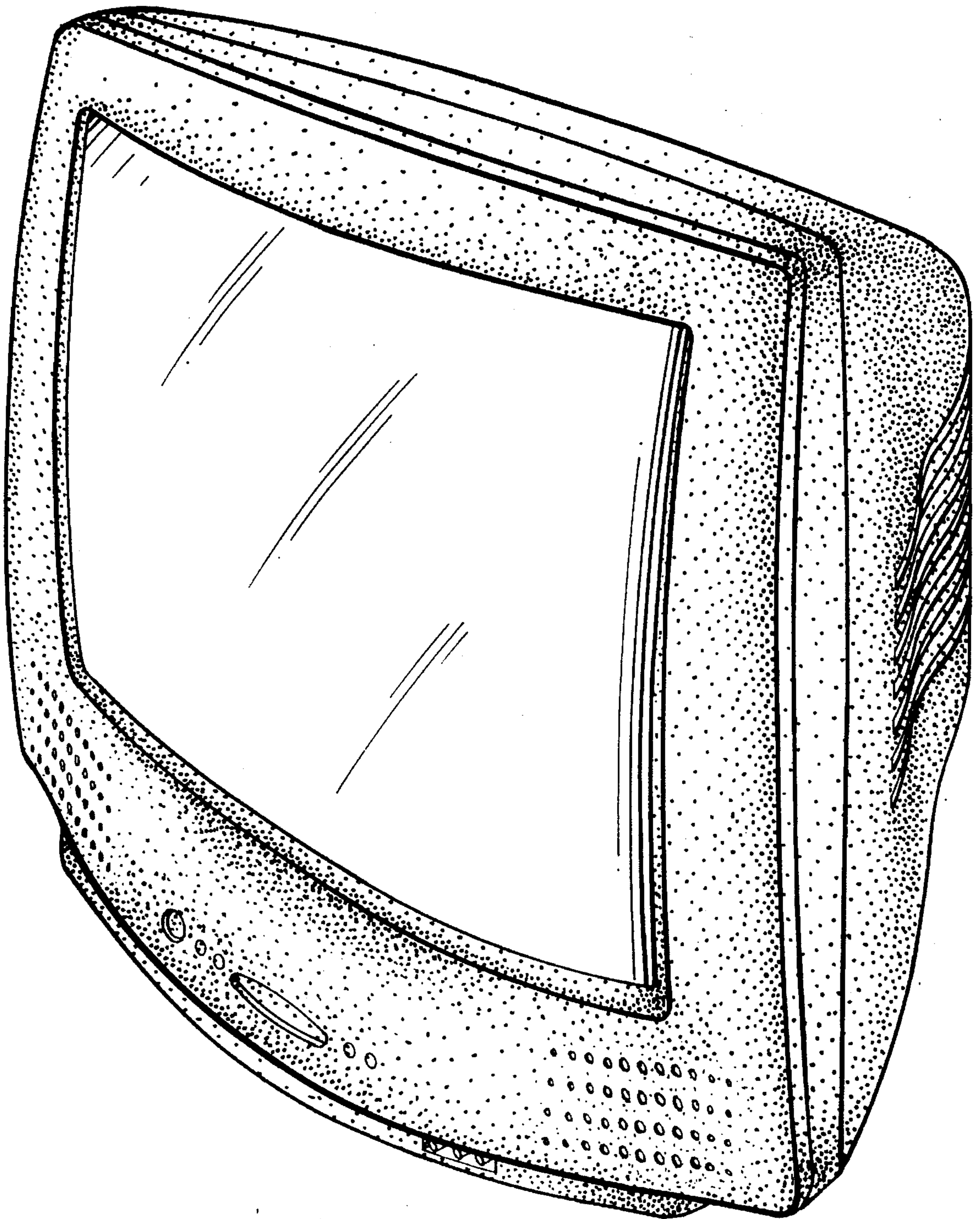
### DESCRIPTION

FIG. 1 is a top, front and right side perspective view of a television set according to our design;  
FIG. 2 is a front elevational view thereof;  
FIG. 3 is a top plan view thereof;  
FIG. 4 is a right side elevational view thereof;  
FIG. 5 is a left side elevational view thereof;  
FIG. 6 is a rear elevational view thereof; and,  
FIG. 7 is a bottom plan view thereof.

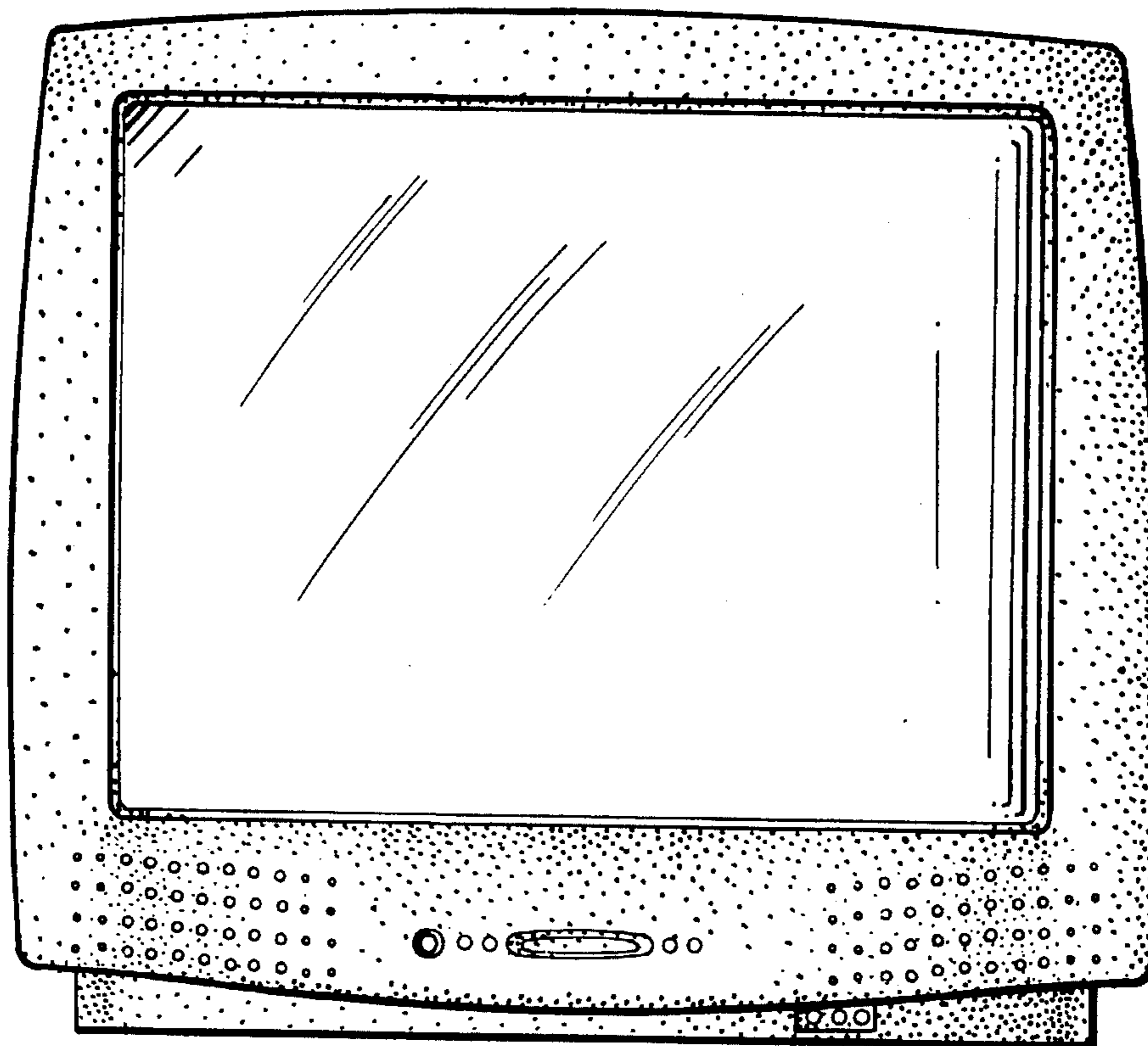
**1 Claim, 4 Drawing Sheets**



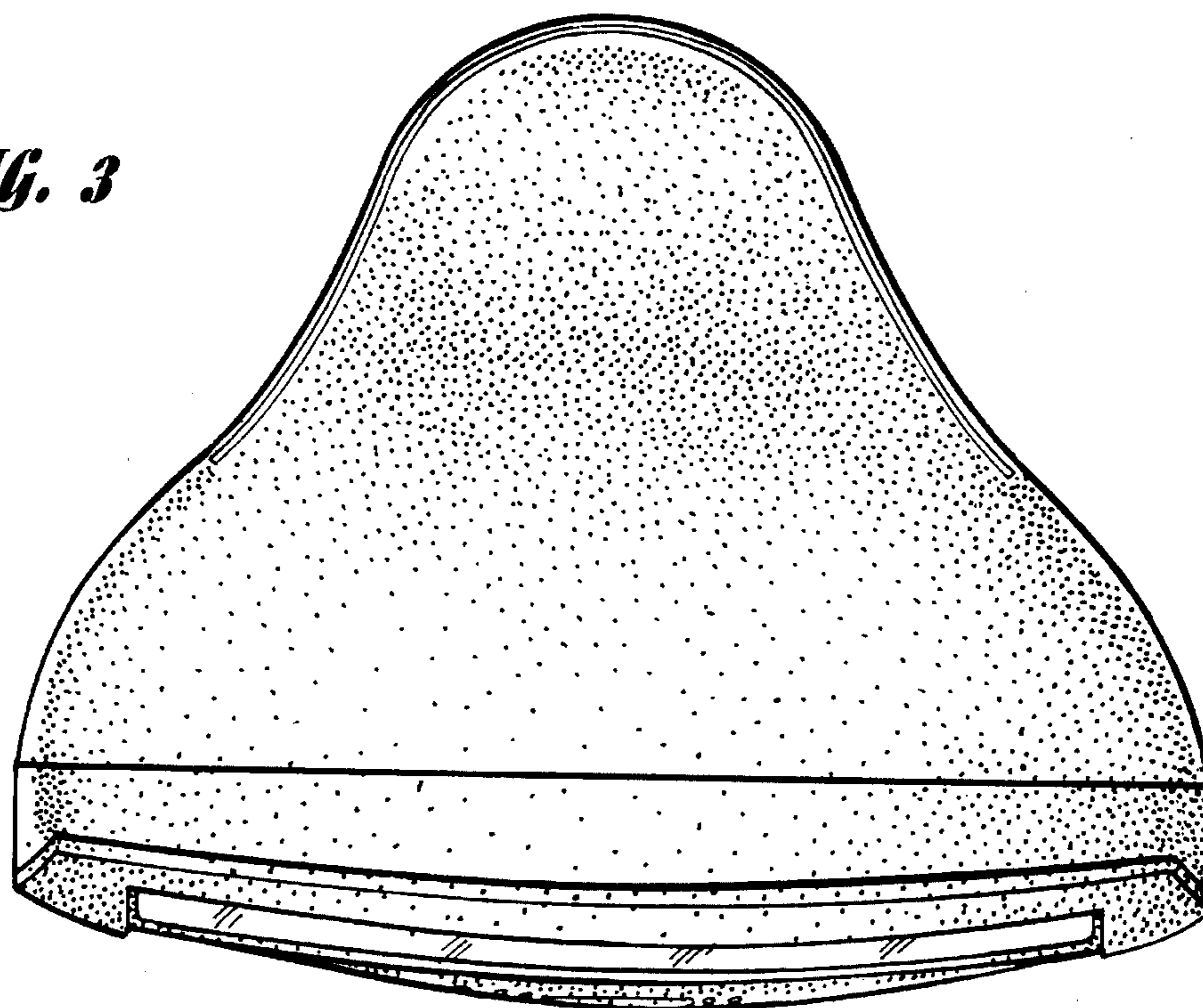
*FIG. 1*

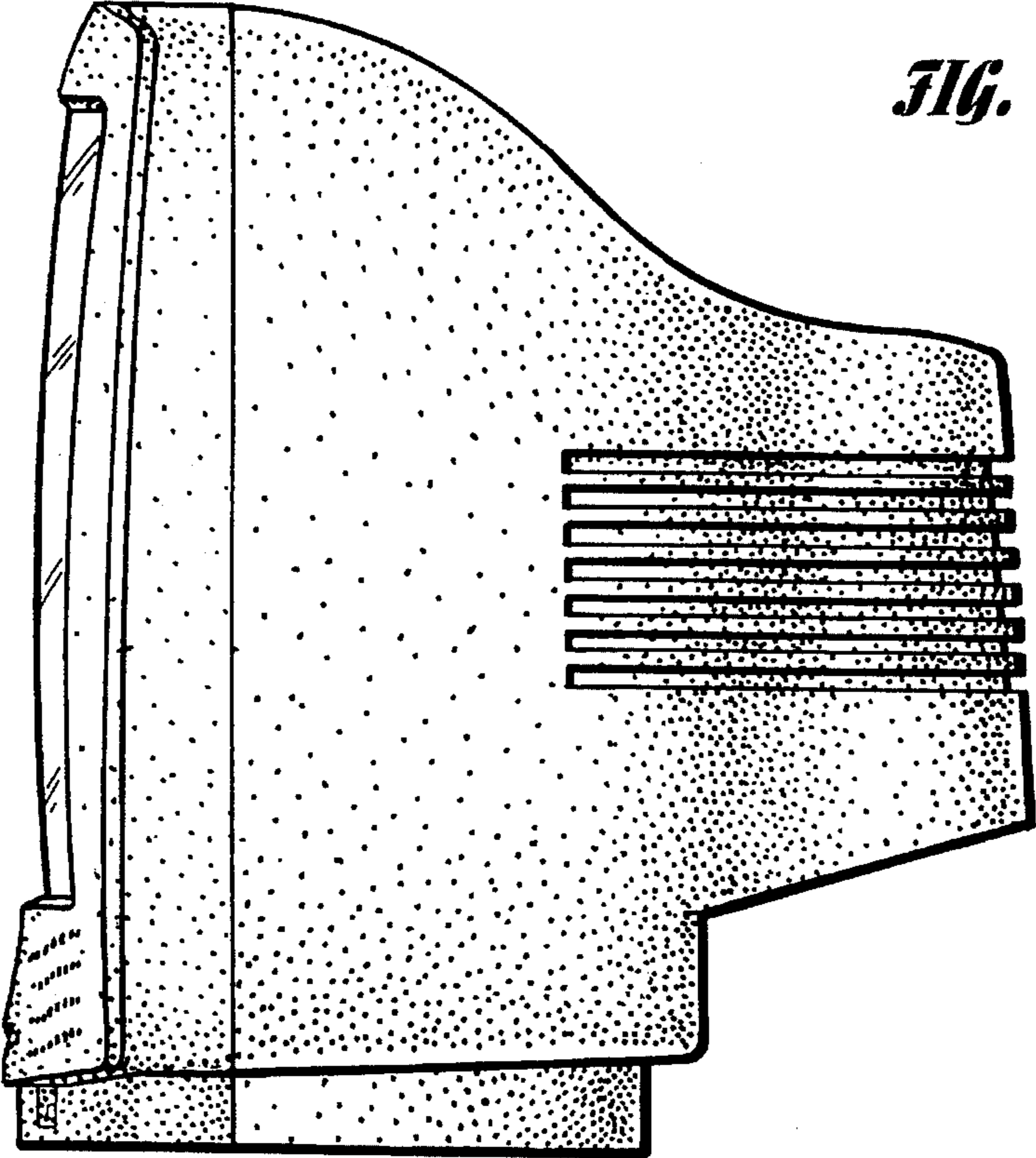


*FIG. 2*



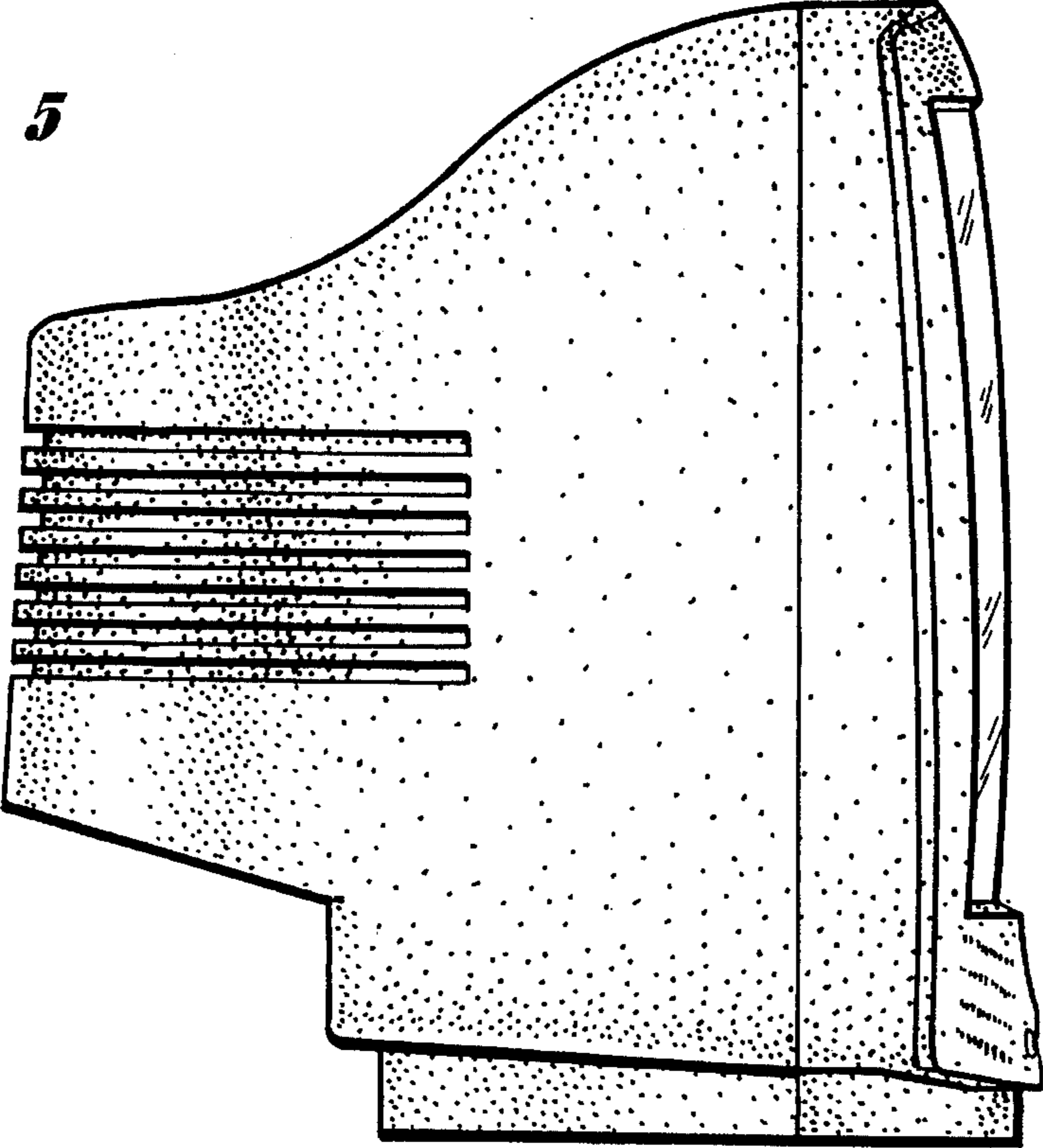
*FIG. 3*



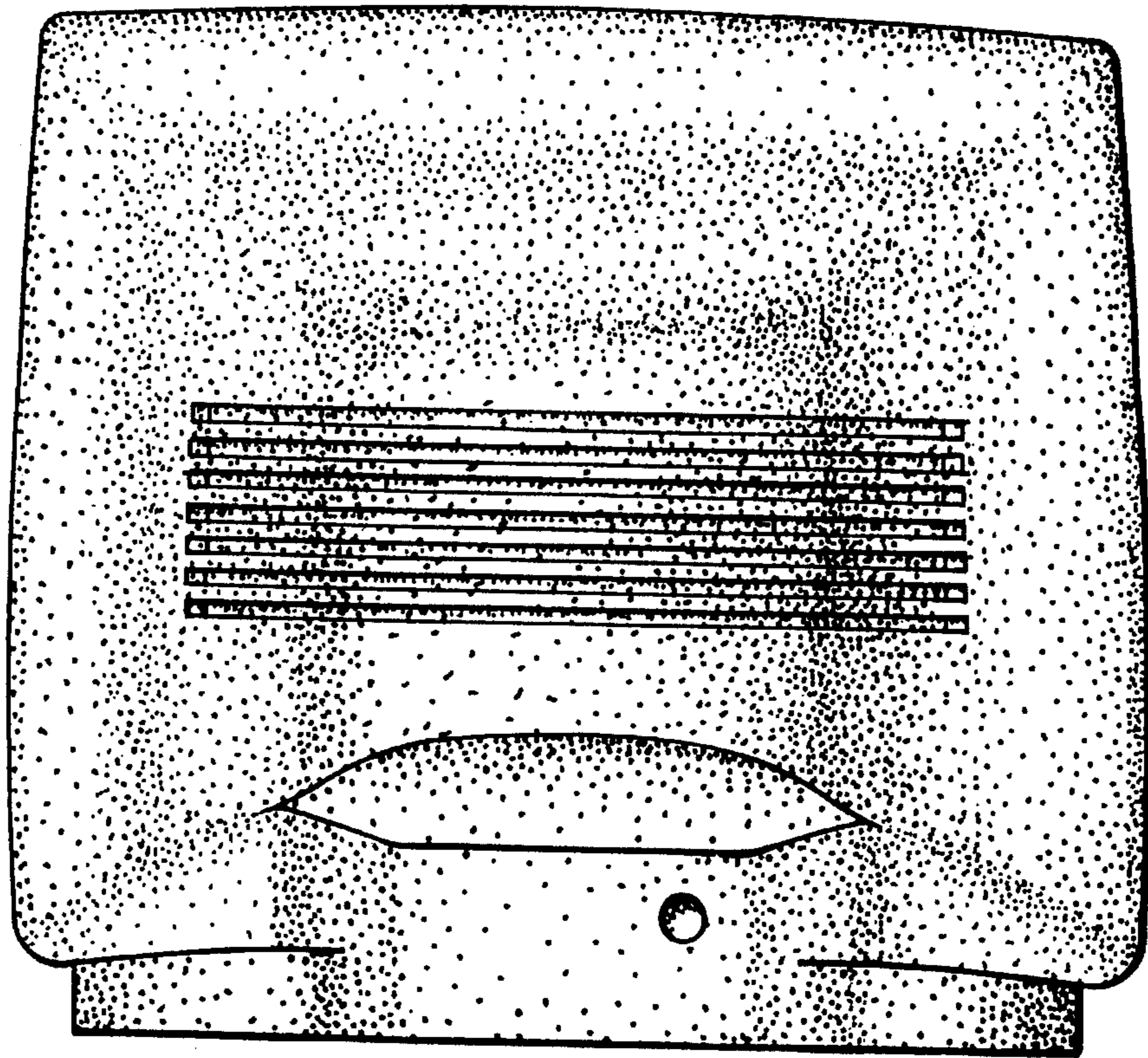


*FIG. 4*

*FIG. 5*



*FIG. 6*



*FIG. 7*

