



US00D372023S

# United States Patent [19]

Andre et al.

[11] Patent Number: **Des. 372,023**

[45] Date of Patent: **\*\*Jul. 23, 1996**

[54] **COMPUTER DISPLAY**

[75] Inventors: **Bartley K. Andre**, Menlo Park;  
**Jonathan P. Ive**, San Francisco, both of  
Calif.

[73] Assignee: **Apple Computer, Inc.**, Cupertino,  
Calif.

[\*\*] Term: **14 Years**

[21] Appl. No.: **41,092**

[22] Filed: **Jul. 5, 1995**

[52] U.S. Cl. .... **D14/113; D14/126**

[58] Field of Search ..... D14/100, 106,  
D14/101, 113, 124-129; 345/104, 133,  
156, 168, 173, 87, 901-905; 358/249, 254,  
255; 248/917-924

[56] **References Cited**

**U.S. PATENT DOCUMENTS**

D. 305,755 1/1990 Suyama et al. .... D14/113

D. 324,517 3/1992 Barbieri ..... D14/126 X  
D. 347,001 5/1994 Lee ..... D14/113  
D. 350,341 9/1994 Landry ..... D14/113  
D. 361,550 8/1995 Mundt et al. .... D14/100

*Primary Examiner*—Freda Nunn  
*Attorney, Agent, or Firm*—Nancy R. Simon

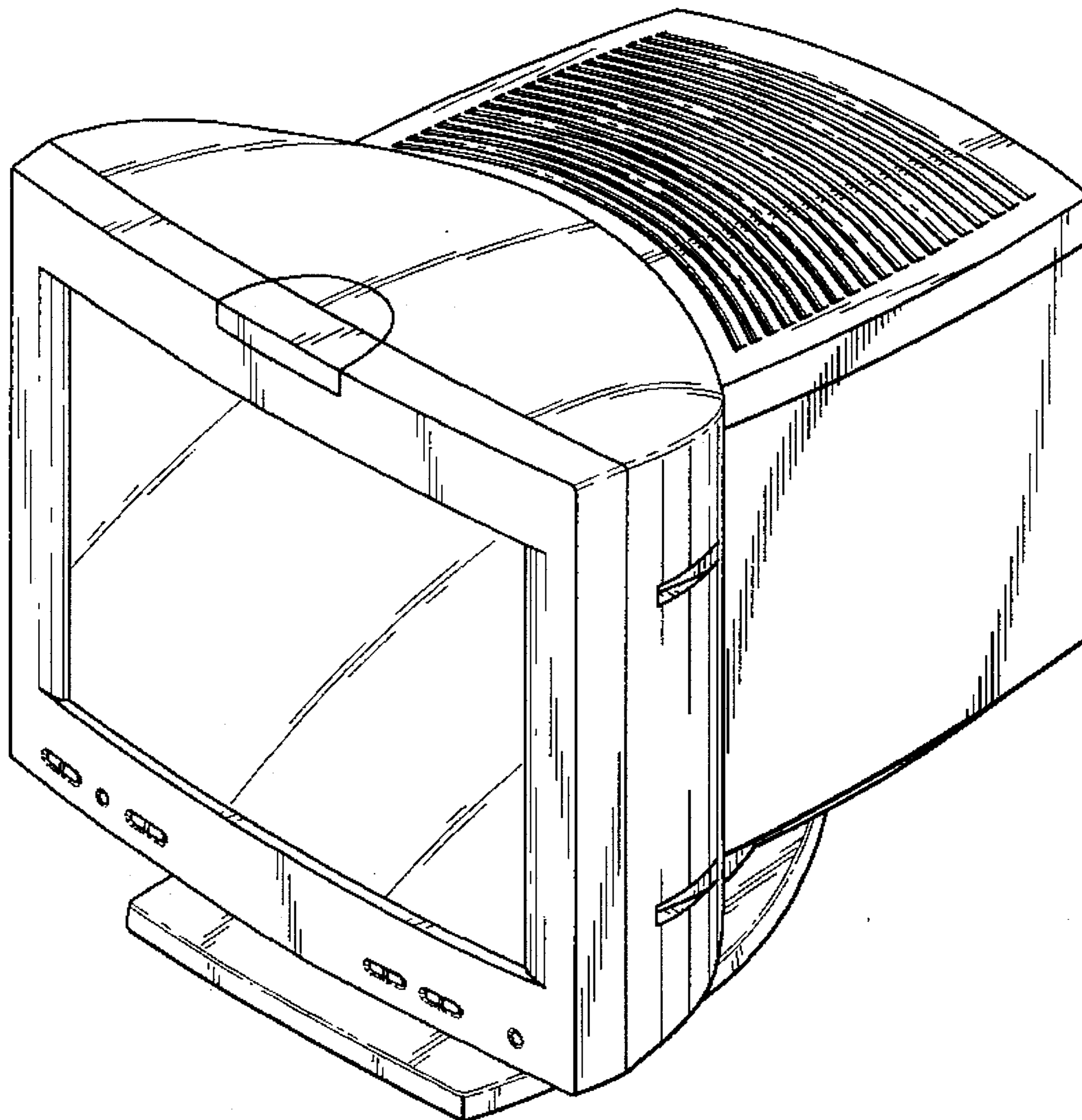
[57] **CLAIM**

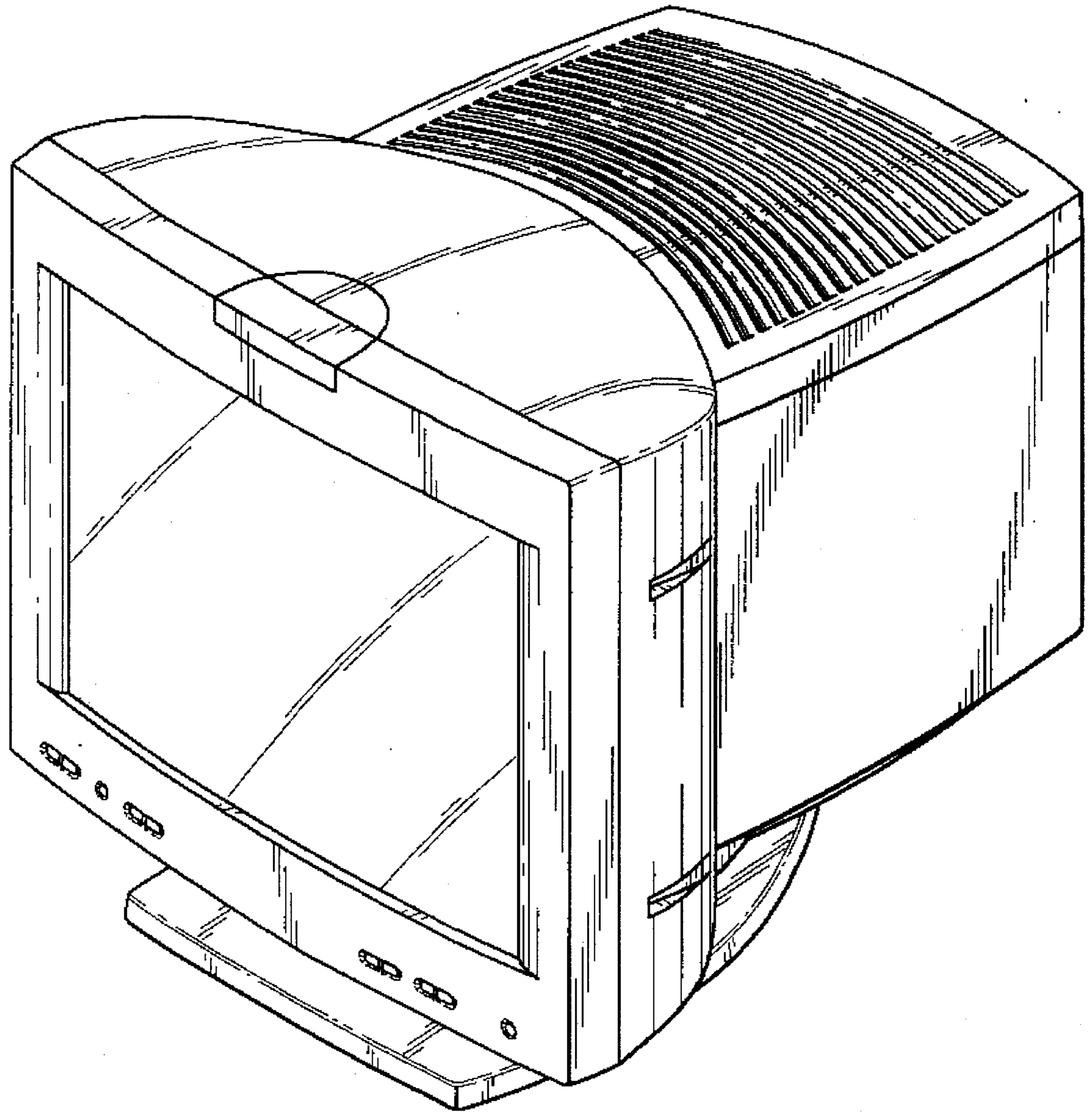
The ornamental design for a computer display, as shown.

**DESCRIPTION**

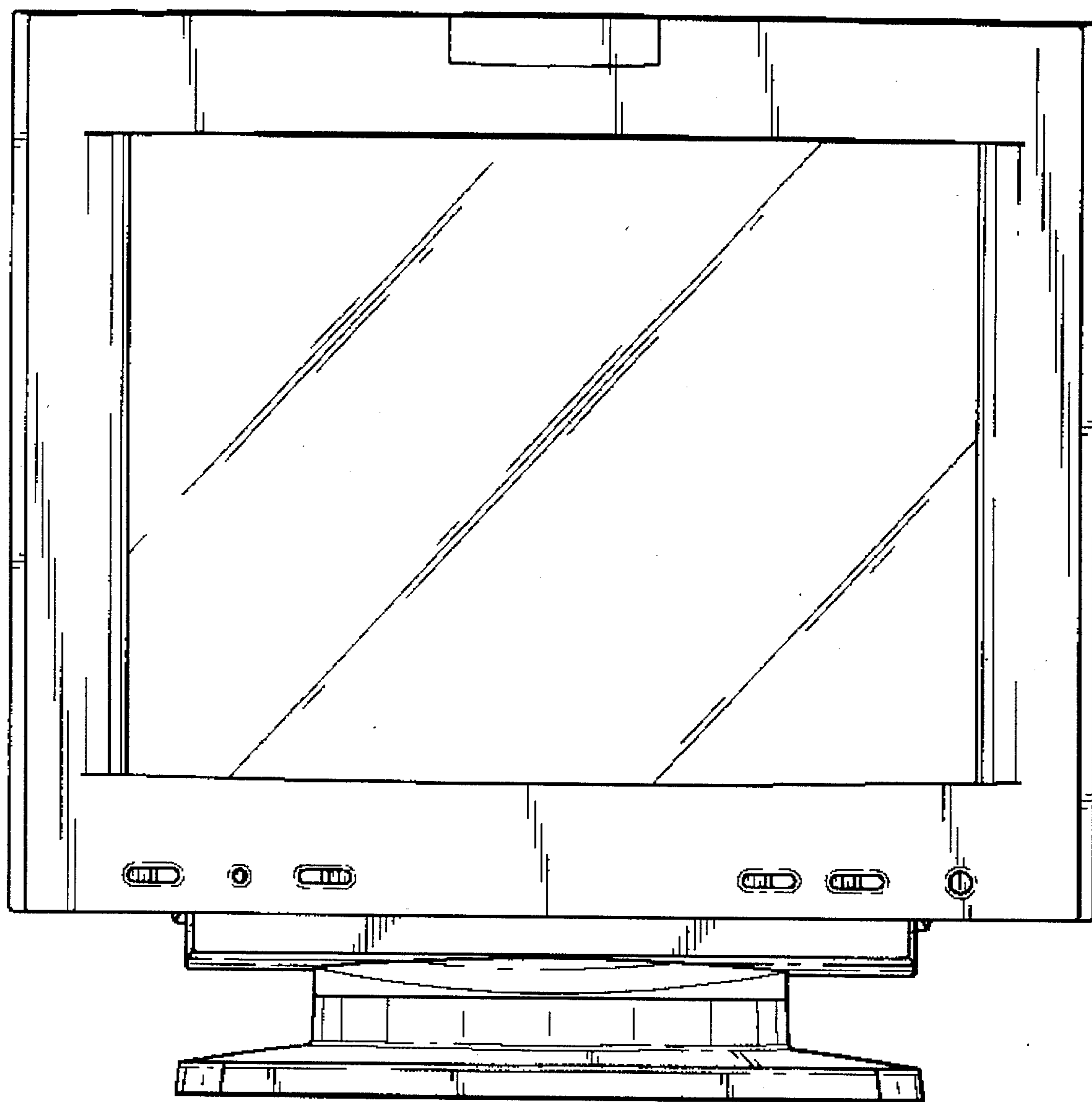
FIG. 1 right, front perspective view of a computer display showing our new design;  
FIG. 2 is a front view thereof;  
FIG. 3 is a right side view thereof;  
FIG. 4 is a left side view thereof;  
FIG. 5 is a back view thereof;  
FIG. 6 is a top view thereof; and,  
FIG. 7 is a bottom view thereof.

**1 Claim, 7 Drawing Sheets**

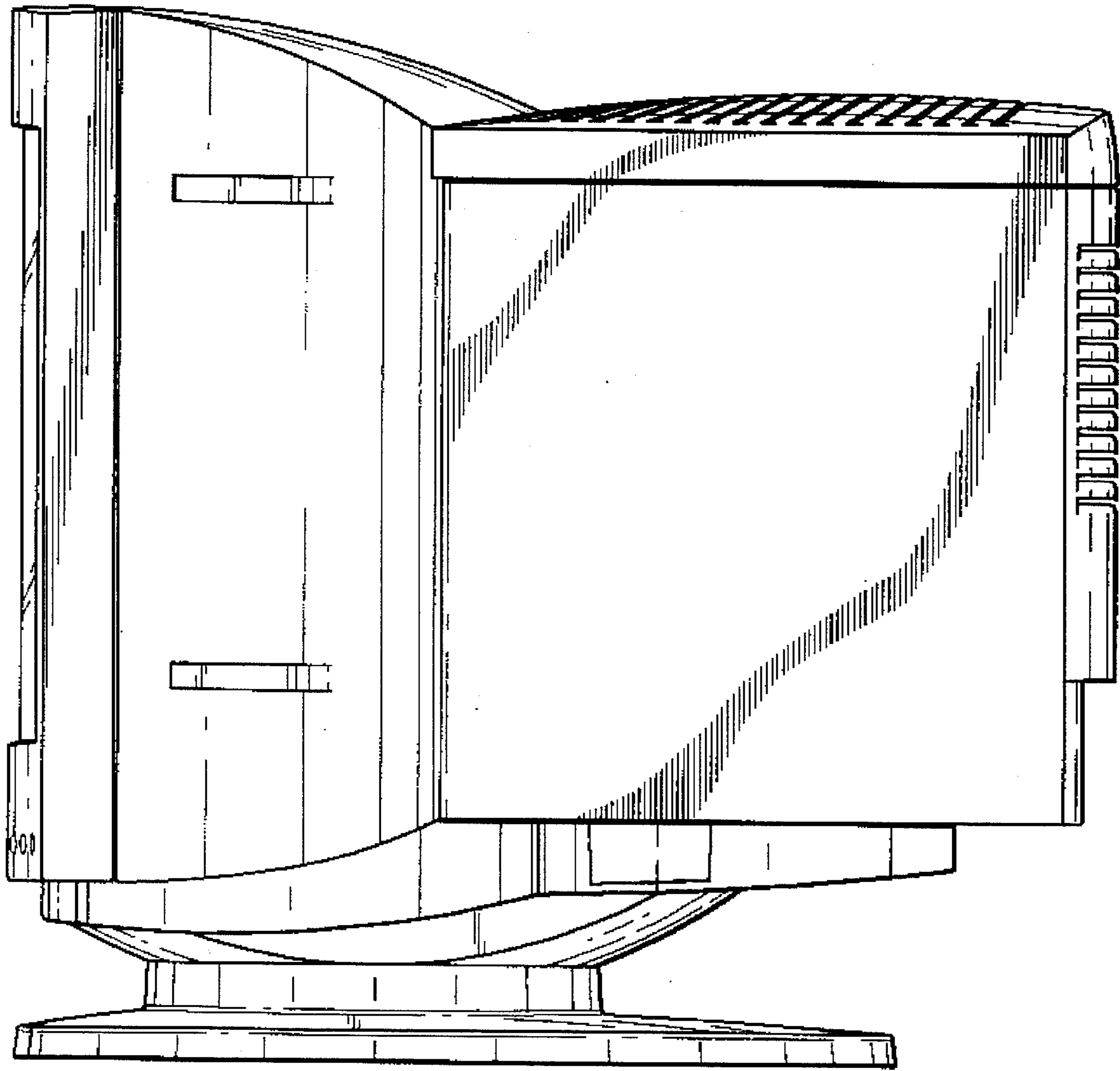




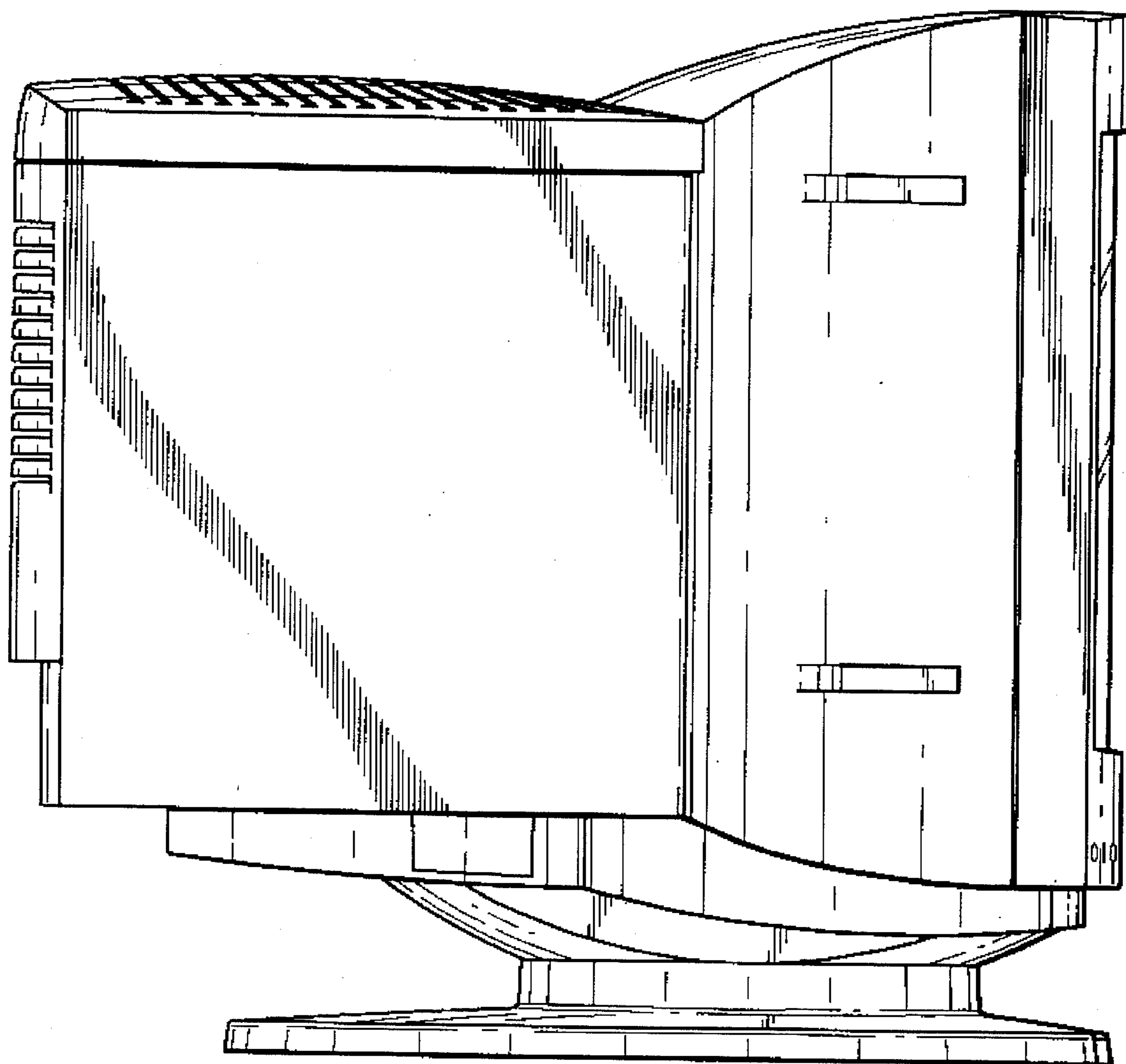
**FIG. 1**



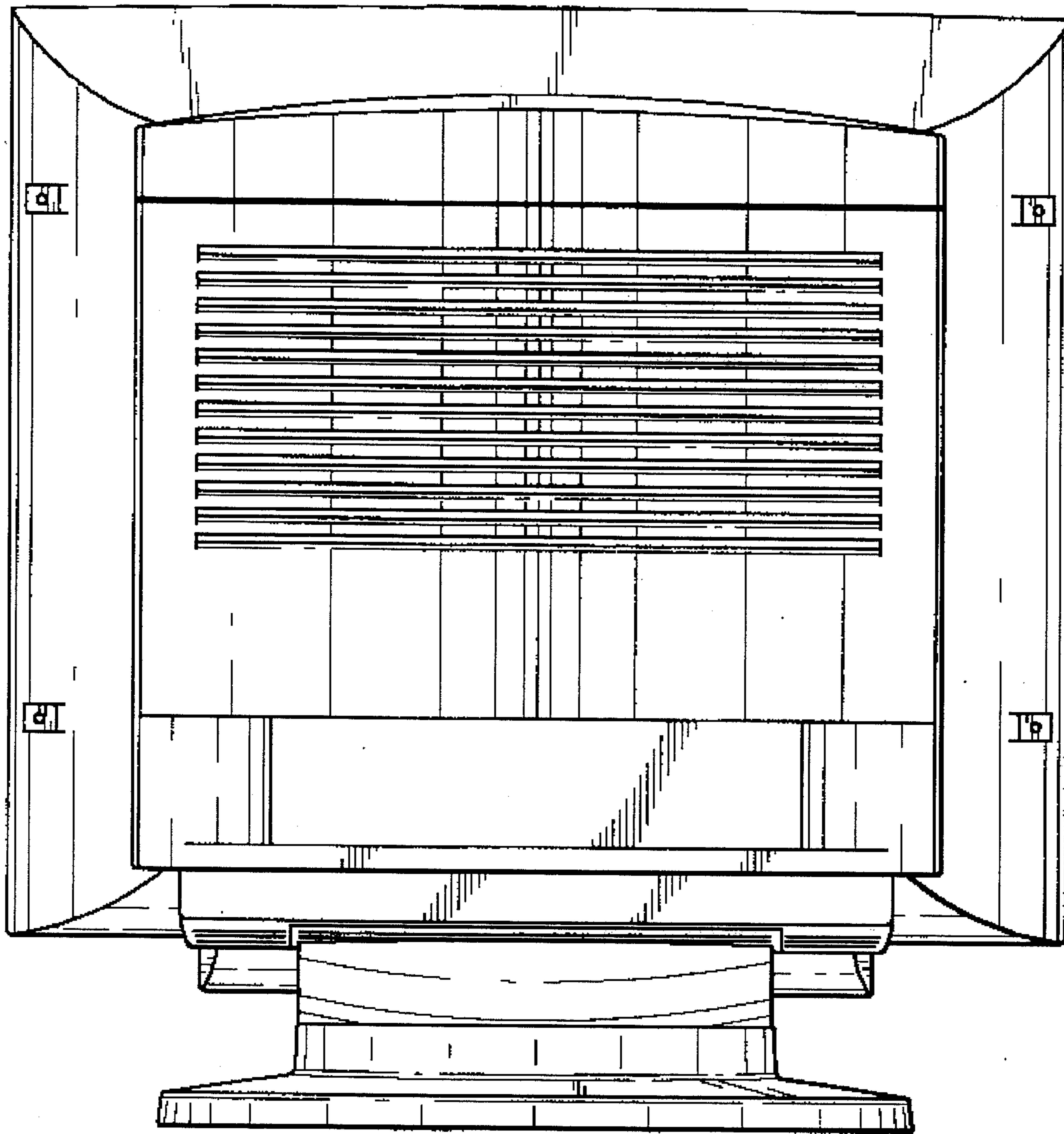
**FIG. 2**



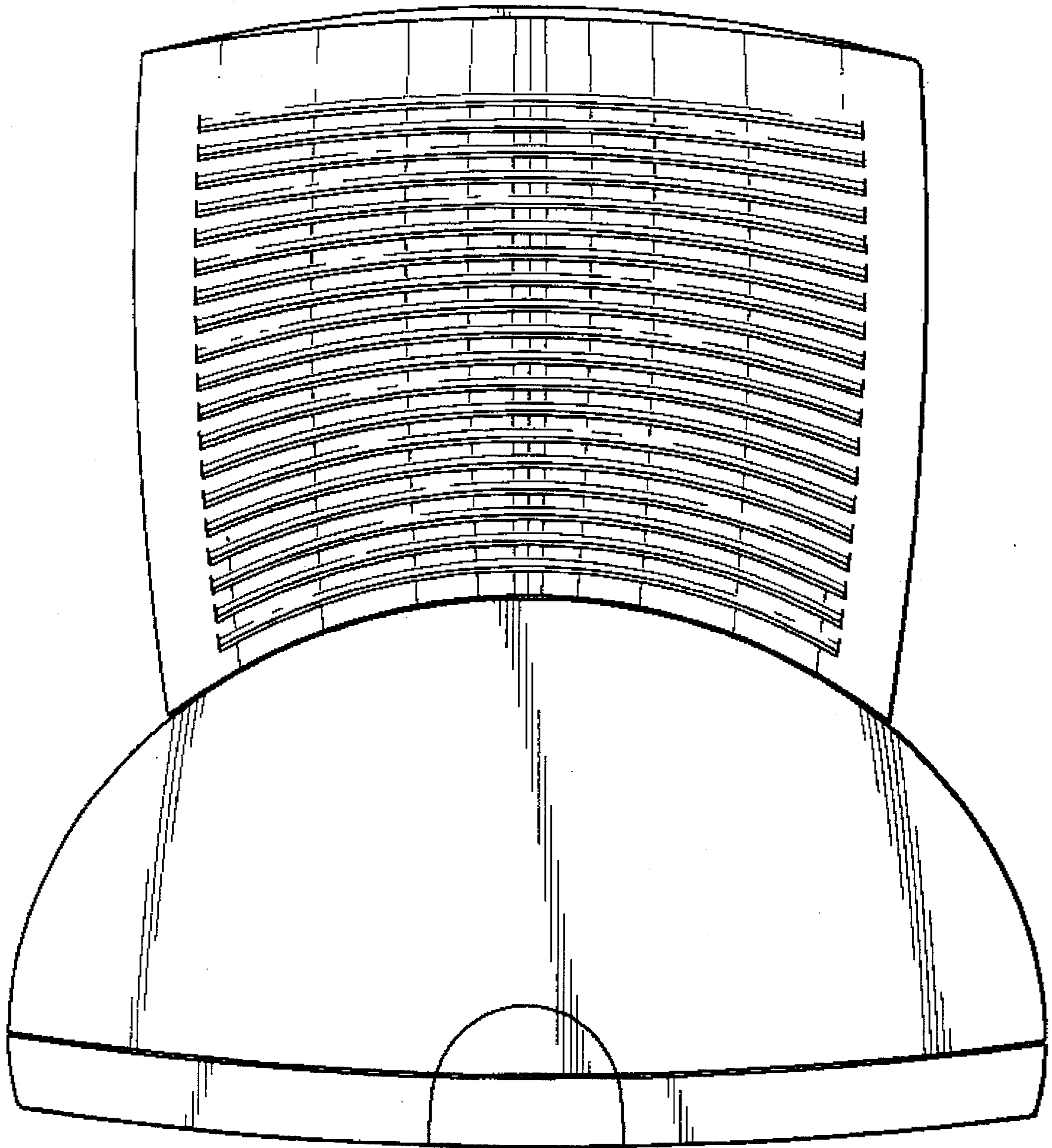
**FIG. 3**



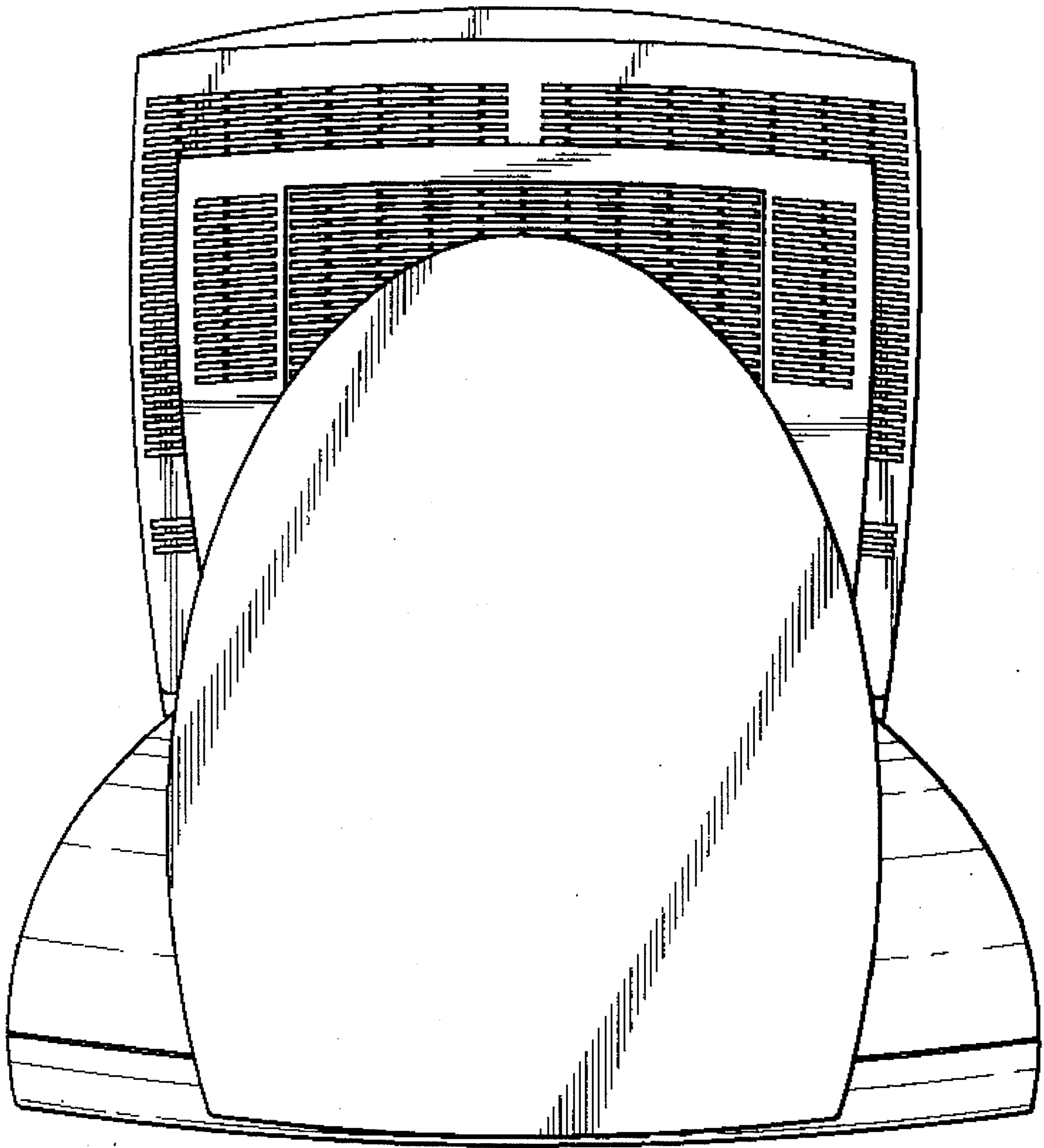
**FIG. 4**



**FIG. 5**



**FIG. 6**



**FIG. 7**