



US00D372021S

United States Patent [19]

Idleman et al.

[11] Patent Number: **Des. 372,021**

[45] Date of Patent: ****Jul. 23, 1996**

[54] **REMOVABLE HOUSING FOR COMPUTERS**

[75] Inventors: **Thomas E. Idleman**, Santa Clara;
Robert S. Koontz, Atherton, both of Calif.

[73] Assignee: **Beaufort River, Inc.**, Hilton Head Island, S.C.

[**] Term: **14 Years**

[21] Appl. No.: **20,120**

[22] Filed: **Mar. 18, 1994**

[52] U.S. Cl. **D14/109**

[58] Field of Search D14/100, 102,
D14/107-109, 114; D13/162, 184, 199;
312/208.1, 223.2, 223.3, 194; 360/97.01,
97.04, 98.01, 99.01, 99.12; 361/600, 622,
724-728, 684, 685

[56] **References Cited**

U.S. PATENT DOCUMENTS

D. 231,464	4/1974	Dalke	D14/100
D. 244,387	5/1977	Butsch	D14/109
D. 266,670	10/1982	West	D14/109
D. 285,926	9/1986	Kies et al.	D14/114
D. 286,053	10/1986	McDaniel et al.	D14/114

D. 303,791	10/1989	Peart et al.	D14/107
D. 304,178	10/1989	Cranston, III et al.	D14/109
D. 304,937	12/1989	Sakuta	D14/109
D. 308,052	5/1990	Darden et al.	D14/109
D. 318,467	7/1991	Smith	D14/114
D. 332,256	1/1993	Lewis	D14/109
4,454,596	6/1984	Wunsch et al.	361/684 X
4,870,605	9/1989	Vo	361/684
5,233,594	8/1993	Wilhelm	361/685 X

OTHER PUBLICATIONS

IBM Technical Disclosure Bulletin vol. 21 No. 4 Sep. 1978
Open-Backed Magazine For Diskettes, pp. 1617-1619.

Primary Examiner—Freda Nunn
Attorney, Agent, or Firm—Ralph Bailey

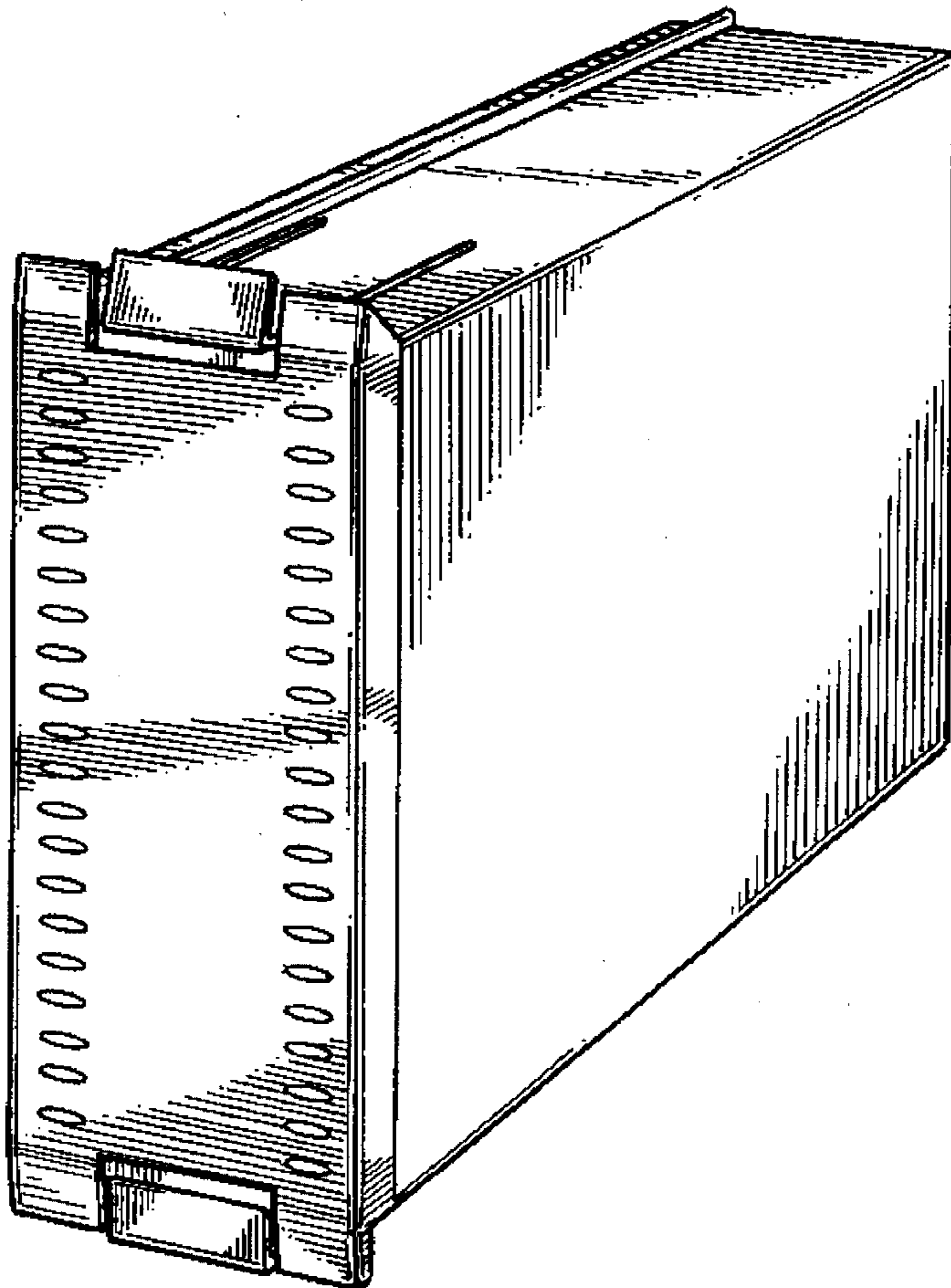
[57] **CLAIM**

The ornamental design for a removable housing for computers, as shown.

DESCRIPTION

FIG. 1 is a top front perspective view illustrating a removable housing for computers showing our new design; and FIG. 2 is a bottom rear and right side perspective view thereof; and, FIG. 3 is a left side elevational view thereof.

1 Claim, 3 Drawing Sheets



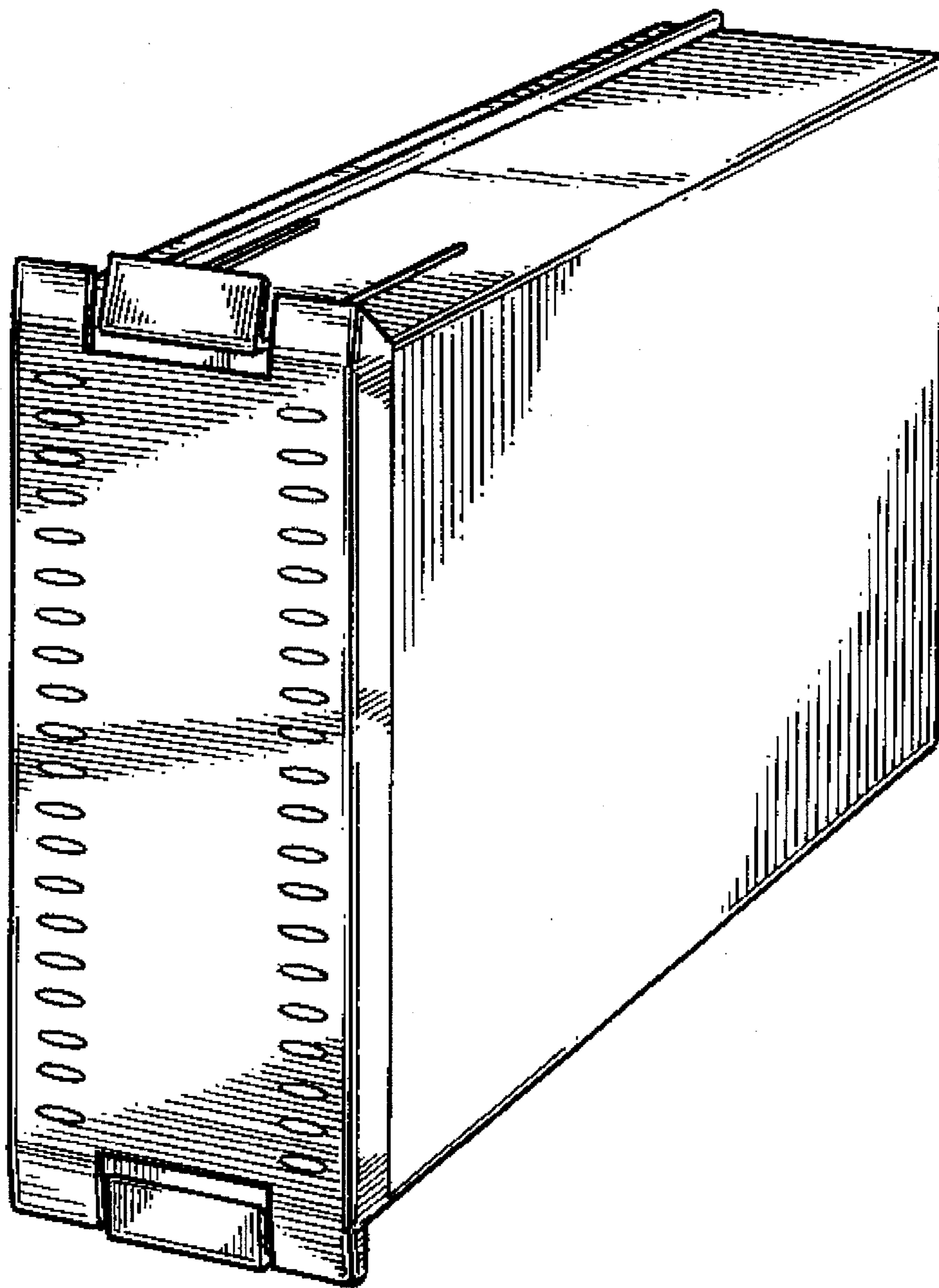


FIG. 1

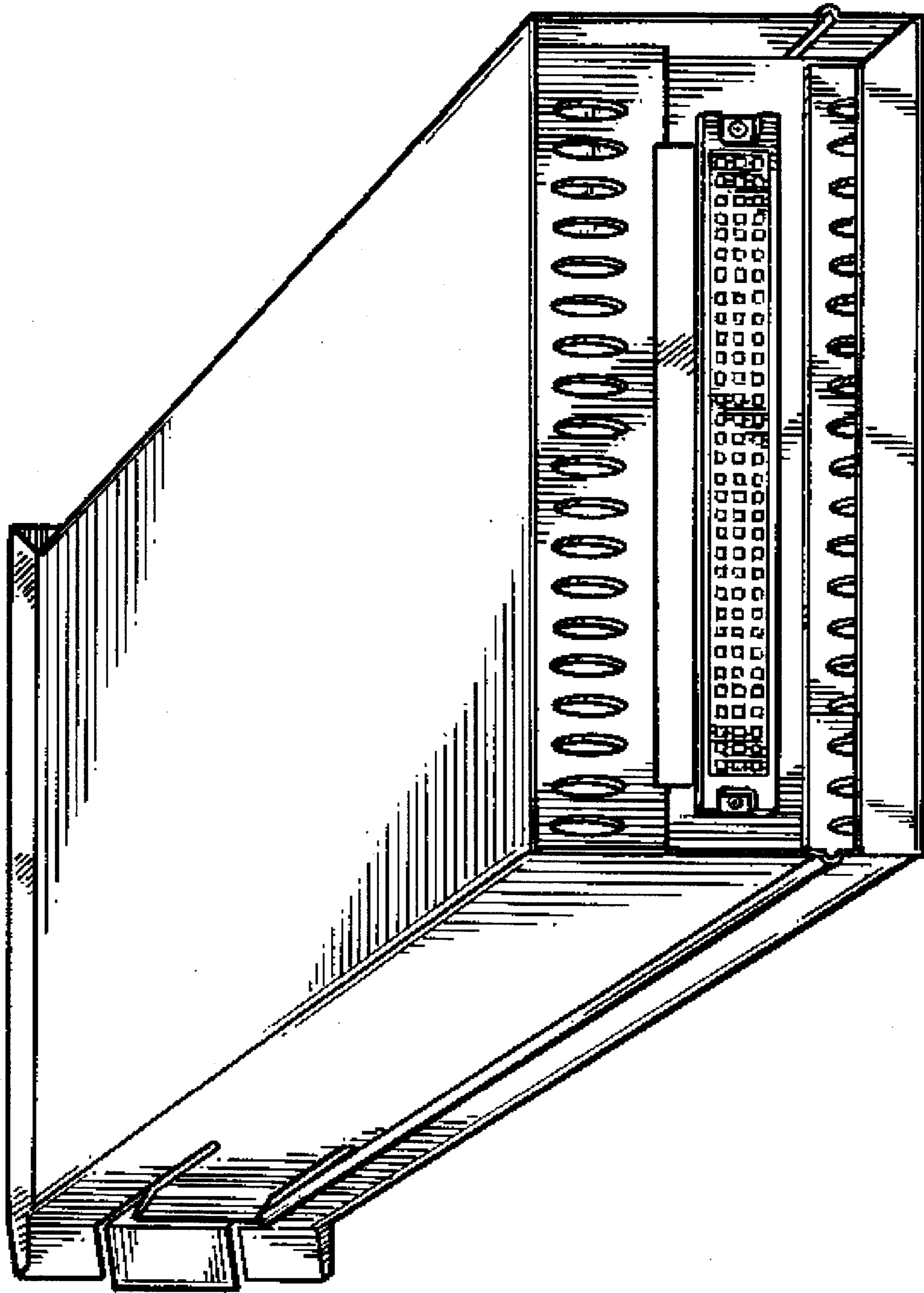


FIG. 2

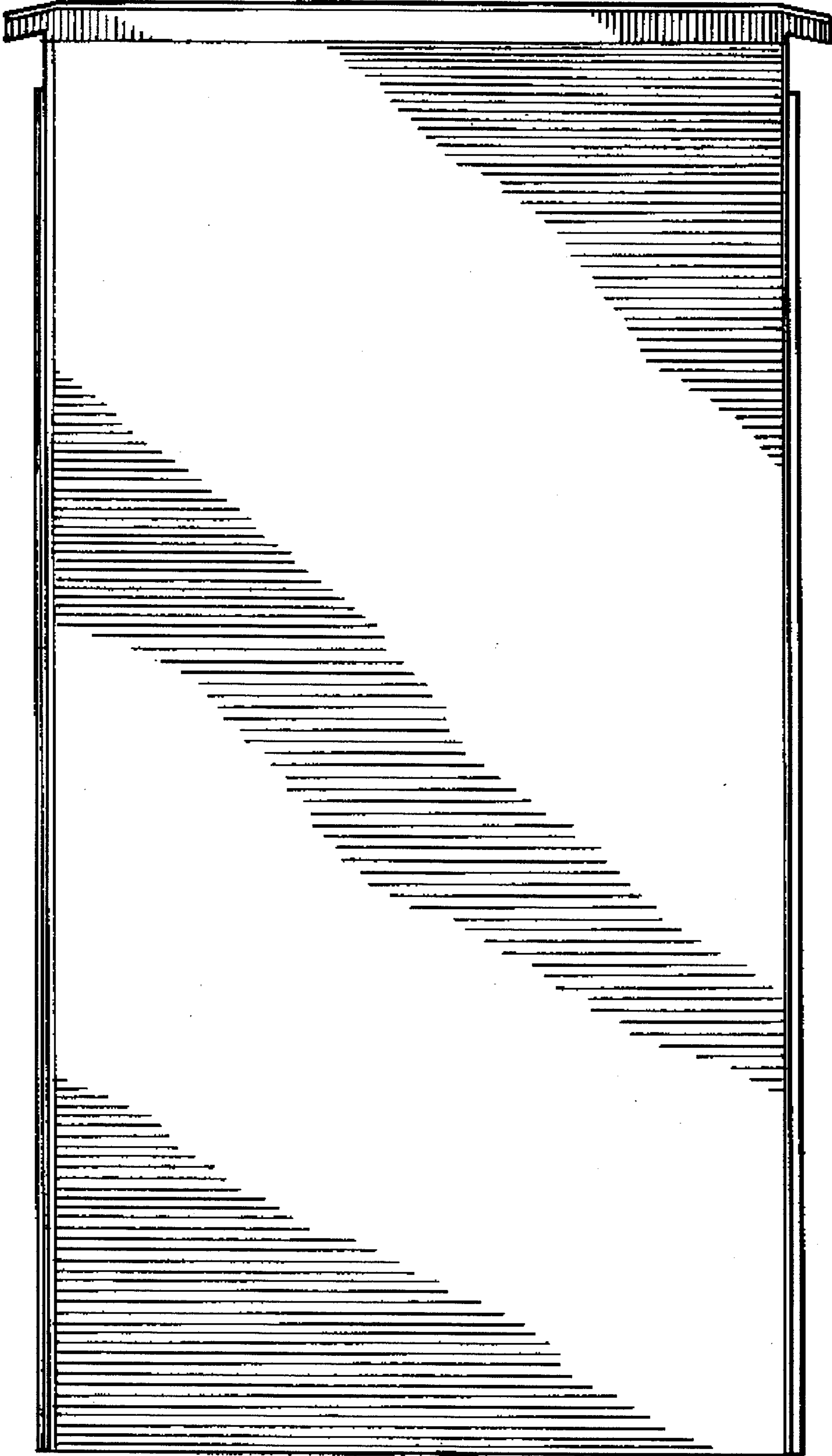


FIG. 3