



US00D372015S

United States Patent [19]

Pinkham

[11] **Patent Number: Des. 372,015**

[45] **Date of Patent: **Jul. 23, 1996**

[54] **CARGO PLATFORM FOR VEHICLES**

[76] **Inventor: Warren Pinkham, P.O. Box 780505, Sebastian, Fla. 32978**

[**] **Term: 14 Years**

[21] **Appl. No.: 34,278**

[22] **Filed: Jan. 31, 1995**

[52] **U.S. Cl. D12/406**

[58] **Field of Search D34/32; 224/488, 224/493, 494, 499, 501, 502, 503, 504, 505, 513, 514; D12/406, 412, 169**

[56] **References Cited**

U.S. PATENT DOCUMENTS

D. 307,087	4/1990	Gibson et al.	D12/412 X
1,116,039	11/1914	Dunham	224/499
1,280,761	10/1918	Kirkpatrick et al.	224/499 X
2,777,625	1/1957	Kronhaus et al.	224/499 X
4,057,125	11/1977	Kroft	D12/406 X

Primary Examiner—Alan P. Douglas
Assistant Examiner—Linda Brooks
Attorney, Agent, or Firm—Harpman & Harpman

[57] **CLAIM**

The ornamental design for a cargo platform for vehicles, as shown and described.

DESCRIPTION

FIG. 1 is a front, top and side perspective view of the cargo platform for vehicles embodying the design of the present invention;

FIG. 2 is a front elevational view thereof;

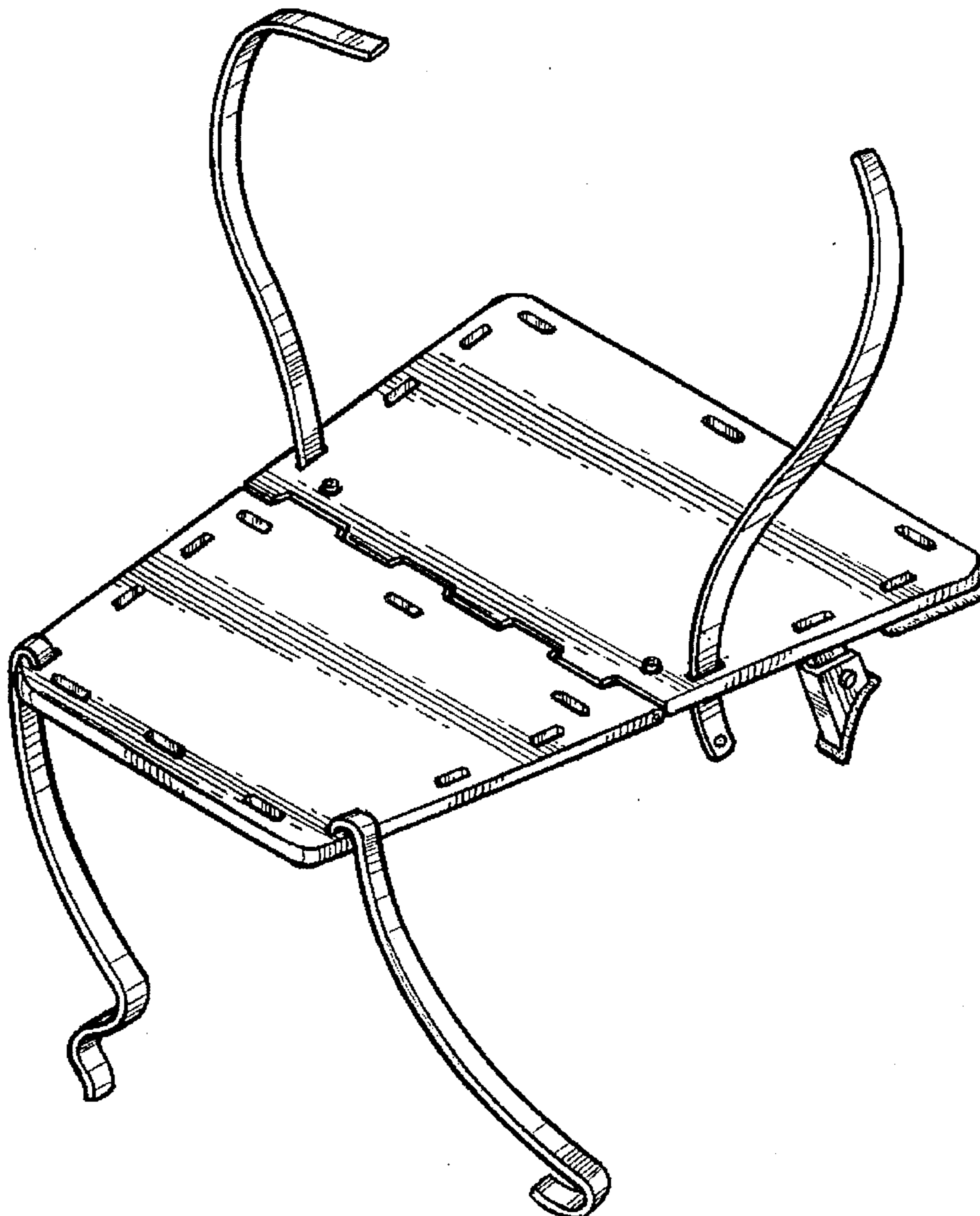
FIG. 3 is a rear elevational view thereof;

FIG. 4 is a side elevational view thereof, the side opposite being a mirror image of the side shown in FIG. 4;

FIG. 5 is a top plan view thereof; and,

FIG. 6 is a bottom plan view thereof.

1 Claim, 4 Drawing Sheets



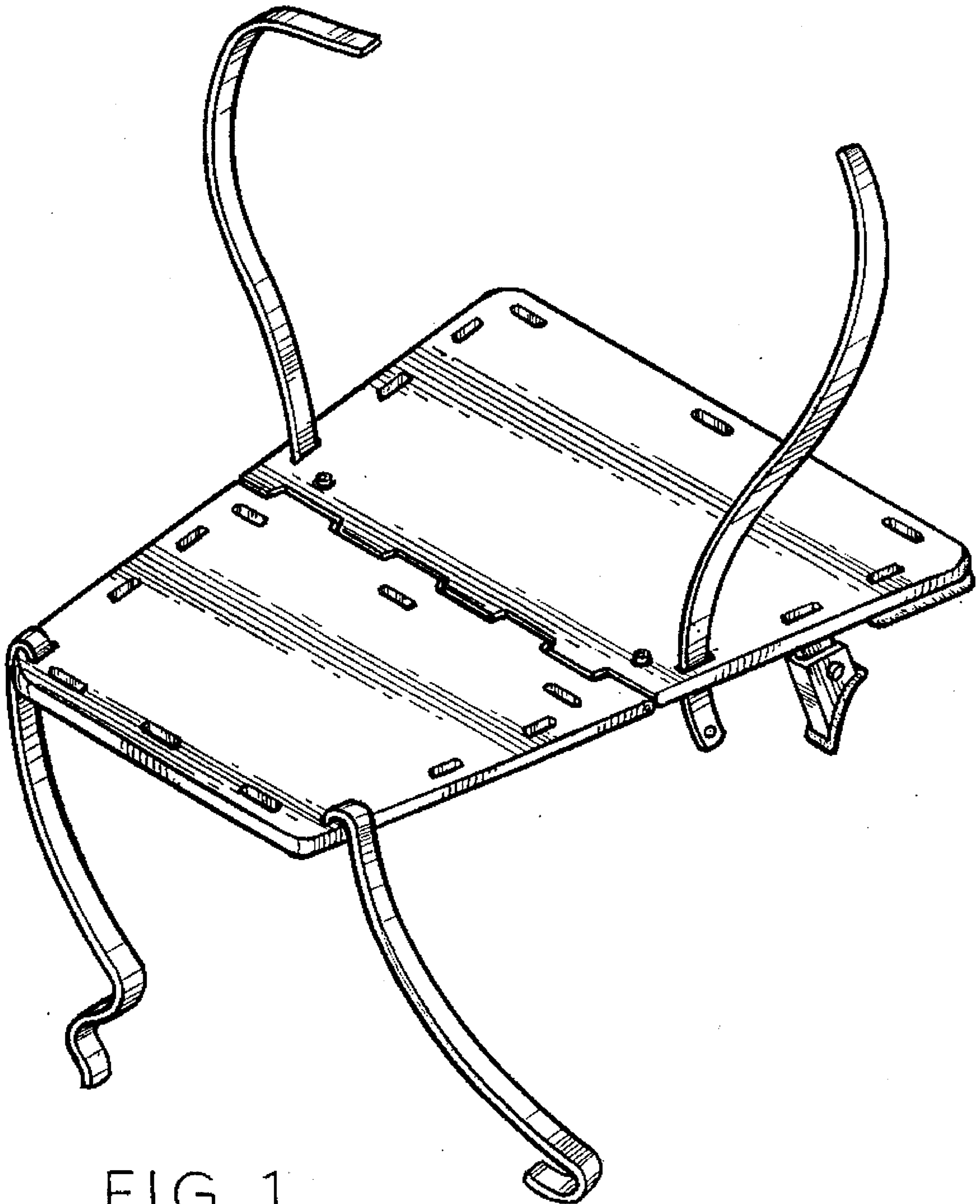


FIG. 1

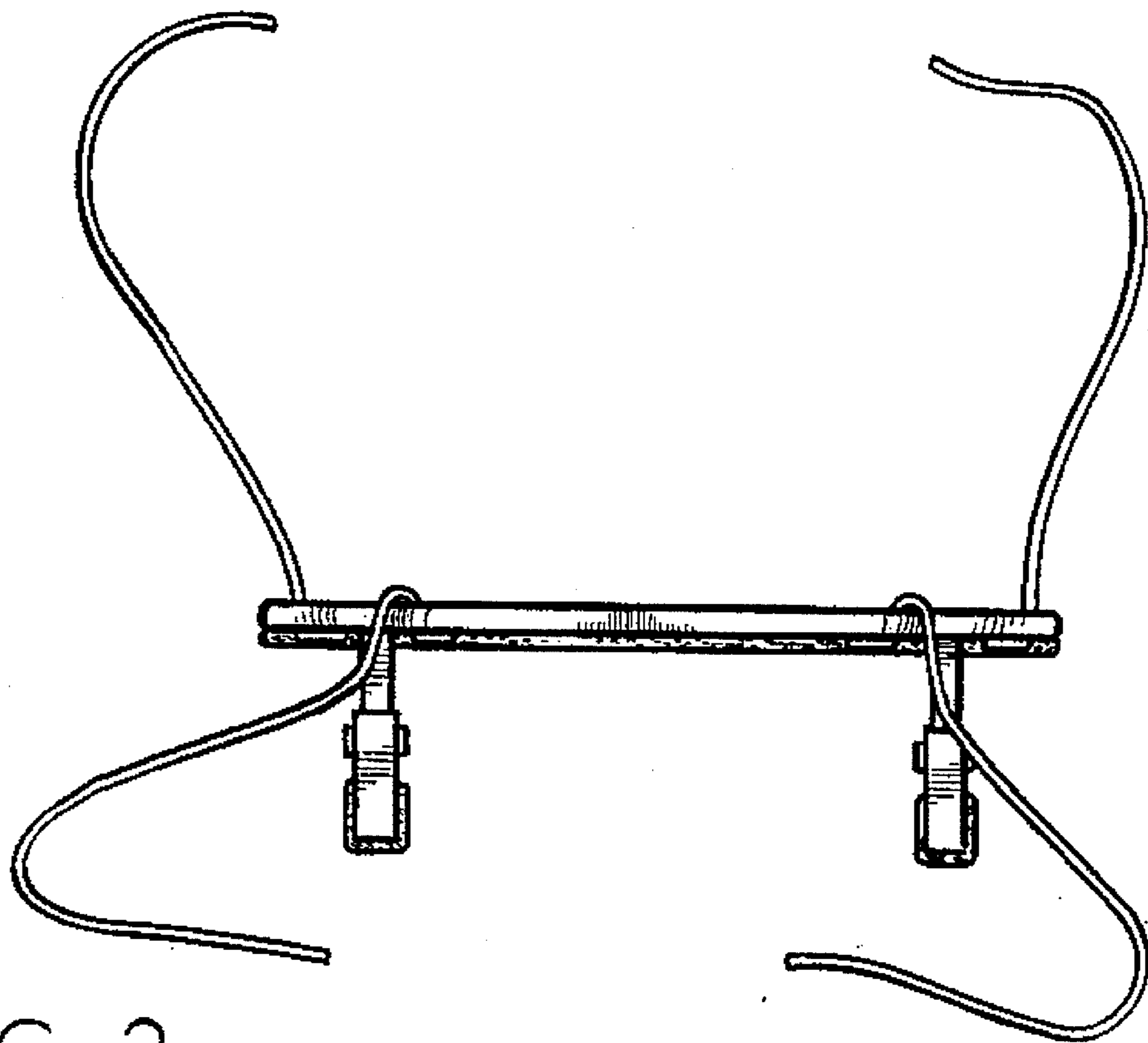


FIG. 2

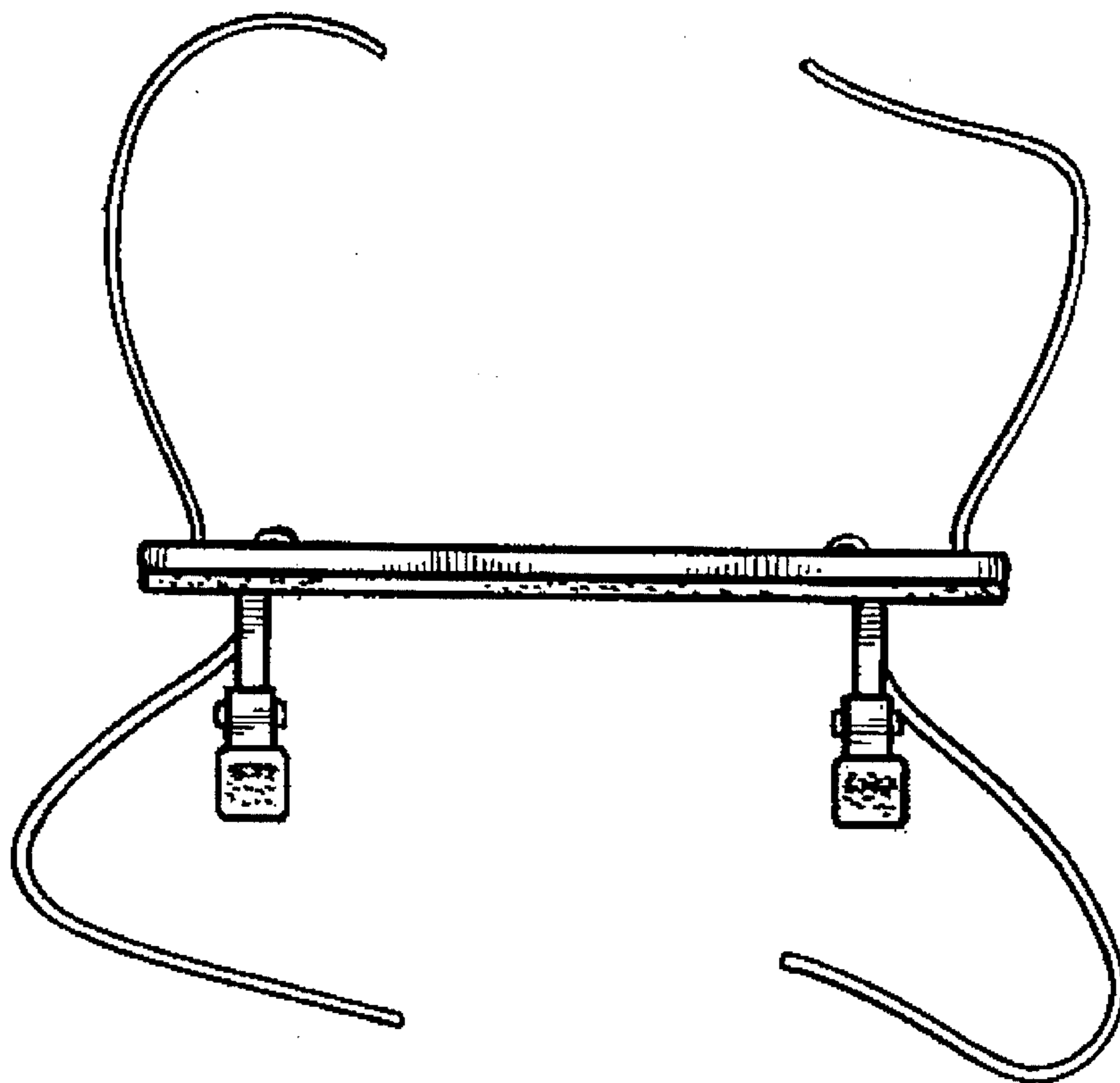


FIG. 3

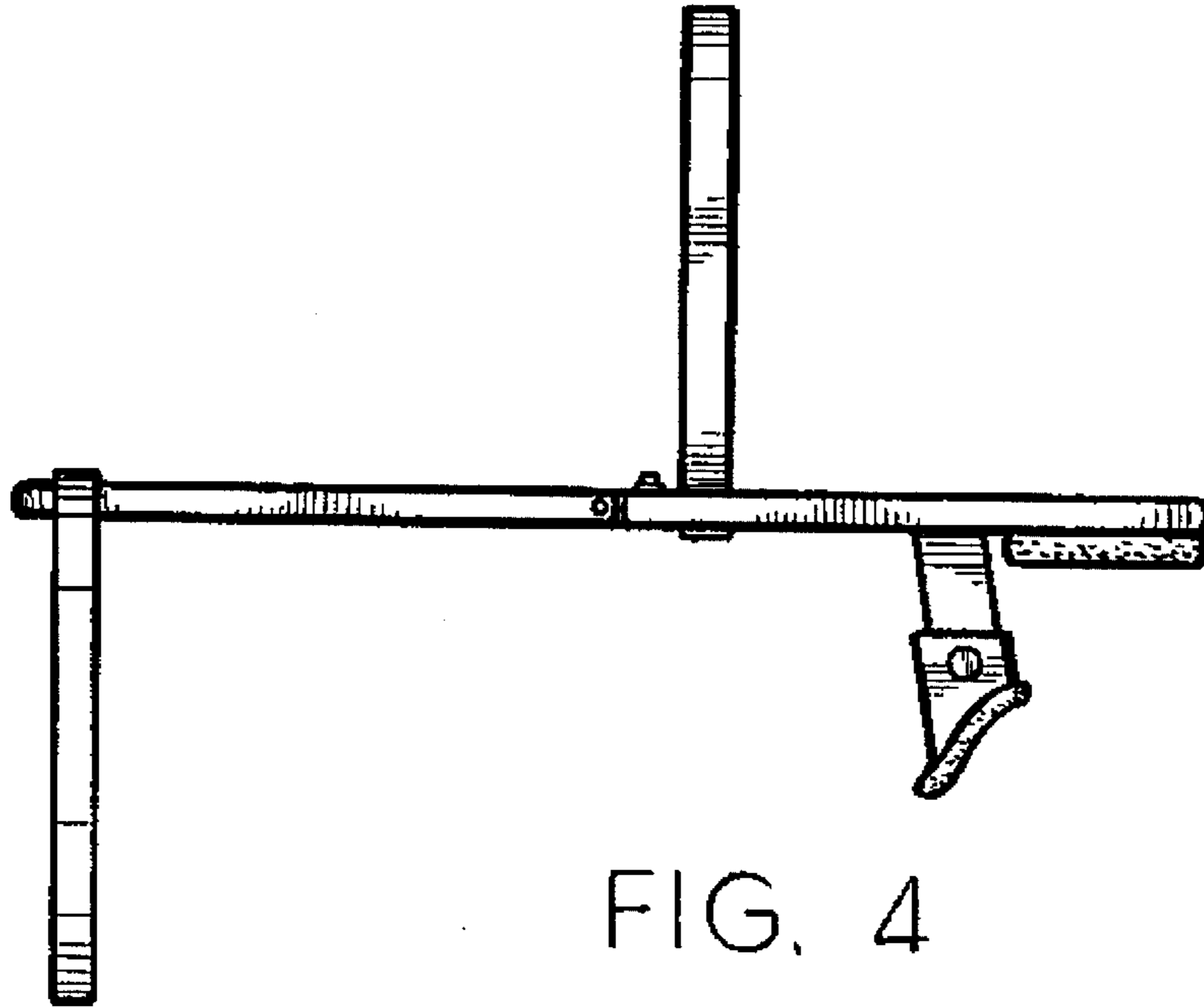


FIG. 4

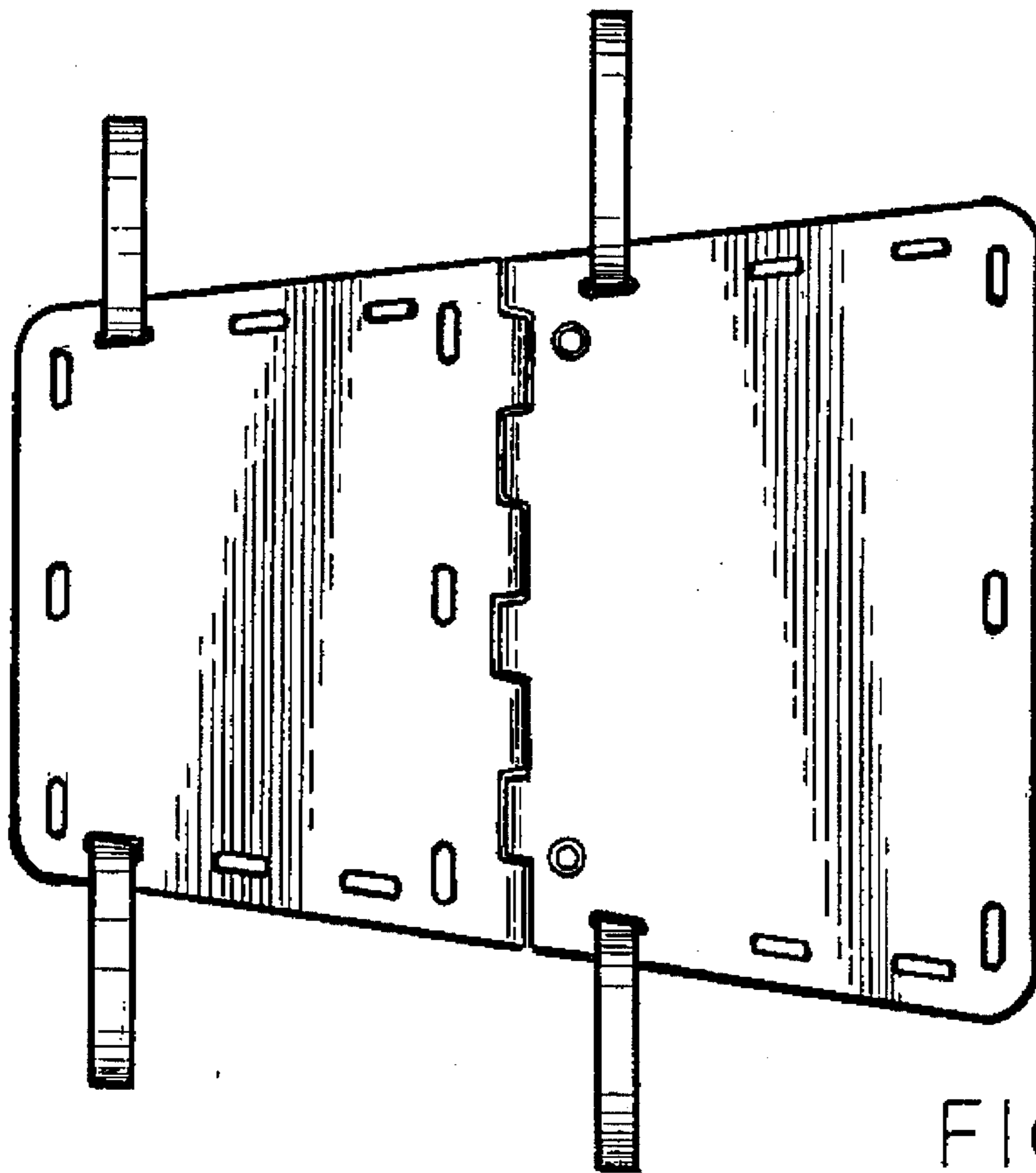


FIG. 5

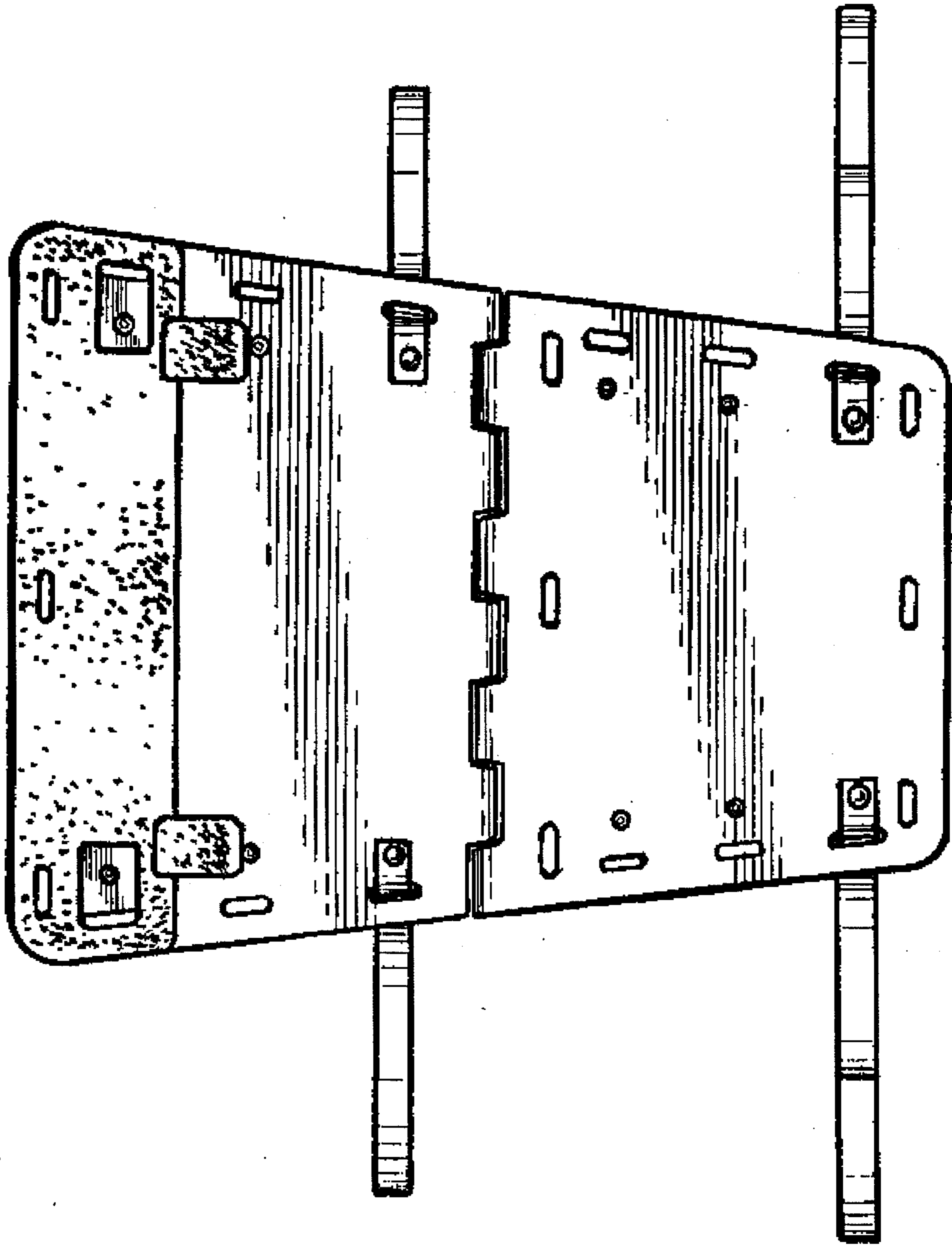


FIG. 6